

**BS EN ISO 13427:2014**



**BSI Standards Publication**

# **Geosynthetics — Abrasion damage simulation (sliding block test) (ISO 13427:2014)**

**bsi.**

...making excellence a habit.™

**National foreword**

This British Standard is the UK implementation of EN ISO 13427:2014. It supersedes BS EN ISO 13427:1998 which is withdrawn.

The UK participation in its preparation was entrusted to Technical Committee B/553, Geotextiles and geomembranes.

A list of organizations represented on this committee can be obtained on request to its secretary.

This publication does not purport to include all the necessary provisions of a contract. Users are responsible for its correct application.

© The British Standards Institution 2015. Published by BSI Standards Limited 2015

ISBN 978 0 580 73853 1

ICS 59.080.70

**Compliance with a British Standard cannot confer immunity from legal obligations.**

This British Standard was published under the authority of the Standards Policy and Strategy Committee on 31 January 2015.

**Amendments issued since publication**

Date	Text affected
------	---------------

---

EUROPEAN STANDARD

**EN ISO 13427**

NORME EUROPÉENNE

EUROPÄISCHE NORM

December 2014

ICS 59.080.70

Supersedes EN ISO 13427:1998

English Version

## Geosynthetics - Abrasion damage simulation (sliding block test) (ISO 13427:2014)

Géosynthétiques - Simulation de l'endommagement par  
abrasion (essai du bloc glissant) (ISO 13427:2014)

Geokunststoffe - Simulation von Scheuerbeschädigungen  
(Gleitblockprüfung) (ISO 13427:2014)

This European Standard was approved by CEN on 13 September 2014.

CEN members are bound to comply with the CEN/CENELEC Internal Regulations which stipulate the conditions for giving this European Standard the status of a national standard without any alteration. Up-to-date lists and bibliographical references concerning such national standards may be obtained on application to the CEN-CENELEC Management Centre or to any CEN member.

This European Standard exists in three official versions (English, French, German). A version in any other language made by translation under the responsibility of a CEN member into its own language and notified to the CEN-CENELEC Management Centre has the same status as the official versions.

CEN members are the national standards bodies of Austria, Belgium, Bulgaria, Croatia, Cyprus, Czech Republic, Denmark, Estonia, Finland, Former Yugoslav Republic of Macedonia, France, Germany, Greece, Hungary, Iceland, Ireland, Italy, Latvia, Lithuania, Luxembourg, Malta, Netherlands, Norway, Poland, Portugal, Romania, Slovakia, Slovenia, Spain, Sweden, Switzerland, Turkey and United Kingdom.



EUROPEAN COMMITTEE FOR STANDARDIZATION  
COMITÉ EUROPÉEN DE NORMALISATION  
EUROPÄISCHES KOMITEE FÜR NORMUNG

**CEN-CENELEC Management Centre: Avenue Marnix 17, B-1000 Brussels**

## Foreword

This document (EN ISO 13427:2014) has been prepared by Technical Committee ISO/TC 221 "Geosynthetics" in collaboration with Technical Committee CEN/TC 189 "Geosynthetics" the secretariat of which is held by NBN.

This European Standard shall be given the status of a national standard, either by publication of an identical text or by endorsement, at the latest by June 2015, and conflicting national standards shall be withdrawn at the latest by June 2015.

Attention is drawn to the possibility that some of the elements of this document may be the subject of patent rights. CEN [and/or CENELEC] shall not be held responsible for identifying any or all such patent rights.

This document supersedes EN ISO 13427:1998.

According to the CEN-CENELEC Internal Regulations, the national standards organizations of the following countries are bound to implement this European Standard: Austria, Belgium, Bulgaria, Croatia, Cyprus, Czech Republic, Denmark, Estonia, Finland, Former Yugoslav Republic of Macedonia, France, Germany, Greece, Hungary, Iceland, Ireland, Italy, Latvia, Lithuania, Luxembourg, Malta, Netherlands, Norway, Poland, Portugal, Romania, Slovakia, Slovenia, Spain, Sweden, Switzerland, Turkey and the United Kingdom.

### Endorsement notice

The text of ISO 13427:2014 has been approved by CEN as EN ISO 13427:2014 without any modification.

# Contents

	Page
Foreword .....	iv
<b>1 Scope .....</b>	<b>1</b>
<b>2 Normative references .....</b>	<b>1</b>
<b>3 Terms and definitions .....</b>	<b>1</b>
<b>4 Principle .....</b>	<b>1</b>
<b>5 Apparatus .....</b>	<b>1</b>
5.1 Abrasion tester .....	1
<b>6 Test specimens .....</b>	<b>2</b>
<b>7 Conditioning .....</b>	<b>2</b>
<b>8 Procedure .....</b>	<b>2</b>
<b>9 Calculation and expression of results .....</b>	<b>3</b>
<b>10 Test report .....</b>	<b>3</b>

## Foreword

ISO (the International Organization for Standardization) is a worldwide federation of national standards bodies (ISO member bodies). The work of preparing International Standards is normally carried out through ISO technical committees. Each member body interested in a subject for which a technical committee has been established has the right to be represented on that committee. International organizations, governmental and non-governmental, in liaison with ISO, also take part in the work. ISO collaborates closely with the International Electrotechnical Commission (IEC) on all matters of electrotechnical standardization.

The procedures used to develop this document and those intended for its further maintenance are described in the ISO/IEC Directives, Part 1. In particular the different approval criteria needed for the different types of ISO documents should be noted. This document was drafted in accordance with the editorial rules of the ISO/IEC Directives, Part 2 (see [www.iso.org/directives](http://www.iso.org/directives)).

Attention is drawn to the possibility that some of the elements of this document may be the subject of patent rights. ISO shall not be held responsible for identifying any or all such patent rights. Details of any patent rights identified during the development of the document will be in the Introduction and/or on the ISO list of patent declarations received (see [www.iso.org/patents](http://www.iso.org/patents)).

Any trade name used in this document is information given for the convenience of users and does not constitute an endorsement.

For an explanation on the meaning of ISO specific terms and expressions related to conformity assessment, as well as information about ISO's adherence to the WTO principles in the Technical Barriers to Trade (TBT), see the following URL: [Foreword — Supplementary information](#).

The committee responsible for this document is ISO/TC 221, *Geosynthetics*.

This second edition cancels and replaces the first edition (ISO 13427:1998), which has been technically revised.

# Geosynthetics — Abrasion damage simulation (sliding block test)

## 1 Scope

This International Standard specifies a test method used for the determination of the resistance of geosynthetics to abrasion using a sliding block, whereby after abrasion the loss in tensile properties is determined.

This test method is applicable to all geosynthetics used in the construction of railways.

## 2 Normative references

The following documents, in whole or in part, are normatively referenced in this document and are indispensable for its application. For dated references, only the edition cited applies. For undated references, the latest edition of the referenced document (including any amendments) applies.

ISO 554, *Standard atmospheres for conditioning and/or testing — Specifications*

ISO 6344-2, *Coated abrasives — Grain size analysis — Part 2: Determination of grain size distribution of macrogrits P12 to P220*

EN 12226, *Geosynthetics — General tests for evaluation following durability testing*

## 3 Terms and definitions

For the purposes of this document, the following terms and definitions apply.

### 3.1

#### **abrasion**

wearing away of any part of a material by rubbing against another surface

## 4 Principle

A test specimen, mounted on a fixed platform, is rubbed by an abradant with specified surface characteristics. Under controlled conditions of pressure and abrasive action, the abradant is moved along on a horizontal axis with a uniaxial motion. Resistance to abrasion is expressed as the percentage retained tensile strength of the test specimen.

## 5 Apparatus

### 5.1 Abrasion tester

The abrasion tester (see [Figure 1](#)) shall consist of the following essential parts:

#### a) **Balanced head and block assembly**

The assembly shall consist of two parallel, smooth plates, 50 mm × 200 mm, one of which moves with a reciprocating motion. The frequency of the reciprocating plate shall be adjustable to a maximum of 90 double strokes per min. The stroke length shall be  $25 \pm 1$  mm. The second plate is rigidly supported by a double-lever assembly to provide free movement in a direction perpendicular to

the reciprocating plate. This plate is held stationary during the test and is well balanced so that a vertical load can be maintained by means of dead weights.

Both plates are equipped with clamps at each end to hold the test specimen and the abrading medium. The clamps have rough surfaces to prevent slippage of the specimen or the abrading material during the test.

b) **Indicator**

An indicator for counting the number of cycles (one cycle = one double stroke) shall be used.

c) **Weights**

Weights shall be used for applying the vertical load to the specimen.

## 6 Test specimens

From the laboratory sample, prepare five pairs of test specimens in each direction for measuring tensile strength in accordance with EN 12226.

If the material to be tested presents different characteristics on the two sides (e.g. physical characteristics or as a consequence of the manufacturing process), or in the case of a specific request from the client, then five specimens in each direction shall be tested on each face. The test report shall include details of this extension of the test procedure, and separate results for each side shall be given.

## 7 Conditioning

The test specimens shall be conditioned and tested in the standard atmosphere for testing ( $20 \pm 2$  °C at  $65 \pm 5$  % RH) as specified in ISO 554.

The specimens can be considered to have been conditioned when the change in mass in successive weightings made at intervals of not less than 2 h does not exceed 0,25 % of the mass of the test specimen.

Conditioning and/or testing in a standard atmosphere can only be omitted when it can be shown that results obtained for the same specific type of product (both structure and polymer type) are not affected by changes in temperature and humidity exceeding the limits. This information shall be included in the test report.

## 8 Procedure

- a) Test the conditioned specimens in the standard atmosphere for testing as described in [Clause 7](#).
- b) Place the specimen to be tested on one plate and secure it by means of the clamp at each end. Place the abrading medium on the other plate and secure it by means of the clamp at each end. Use emery cloth with abradant P 100 in accordance with ISO 6344-2.

NOTE 1 The specimen to be tested can be mounted on the upper or lower plate. Lower the top plate onto the bottom plate by releasing the support pin for the top plate. Be sure the abrading medium and the specimen are properly aligned.

- c) Load the pressure (top) plate with a ( $6 \pm 0,01$ ) kg load, including the top plate.
- d) Start the tester and operate at a maximum frequency of 90 cycles per minute.
- e) Operate the tester at the specified frequency for 750 cycles, or until the specimen ruptures.

NOTE 2 Some nonwoven materials may stretch as the test progresses, leading to sliding on the plate therefore resulting in less or no abrasion. This effect can sometimes be overcome with the use of an anti-slip underlay or similar product mounted between the specimen and the plate. Tapes or glues that change the properties of the material cannot be used.



NOTE 3 Where stretching occurs, the specimen can be repositioned between the clamps to give a smooth flat surface for abrasion. This repositioning can be repeated up to 150 cycles of abrasion. If the stretching still continues after this point, resulting in reduced/no abrasion, the test can be terminated. Additionally, if the repositioning of the specimen reduces the width of the specimen by more than 20 % (to less than 40 mm) the test can be terminated.

NOTE 4 With some materials, rolls or balls of fibres can be formed on the surface of the specimen during the test. Where this occurs, the test is allowed to continue to the end and the tensile tests performed as normal. However, the occurrence should be noted in the report.

NOTE 5 If a specimen ruptures before the specified number of cycles is reached, the rupture of the specimen and the number of cycles completed at the time of rupture are reported.

- f) If the specimen or the abrading medium slips in the clamps, discard the specimen and test another specimen after adjustments are made.
- g) Replace the abrading medium after each test.
- h) Determine the tensile strength of the test and control specimens in accordance with EN 12226.

## 9 Calculation and expression of results

Determine the retained tensile strength and report to the nearest 1 %:

$$\text{Retained tensile strength (in \%)} = (B/A) \times 100$$

where

A is the tensile strength of the reference specimen;

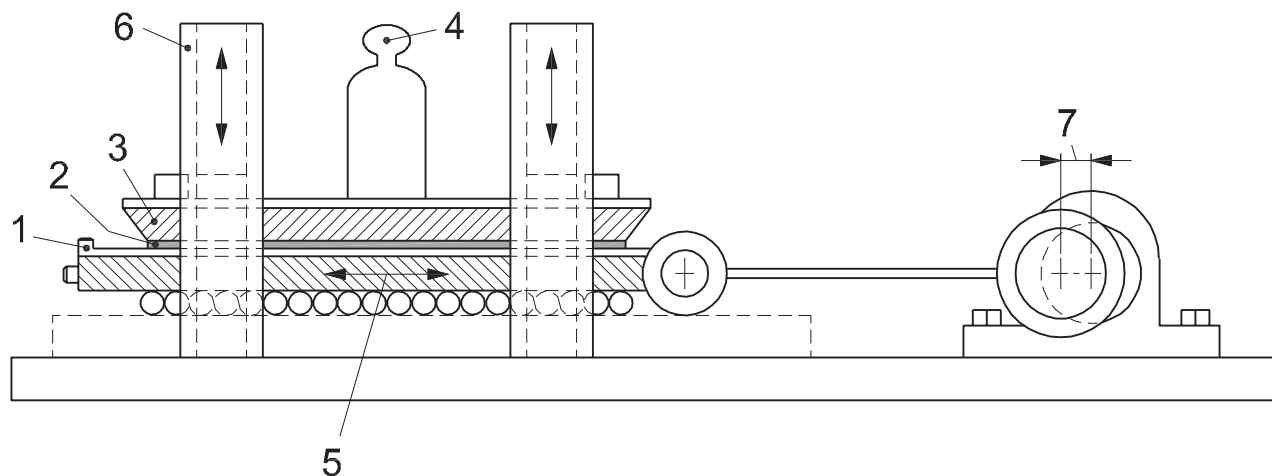
B is the tensile strength of the abraded specimen.

Calculate the average retained tensile strength and the coefficient of variation for the series of five specimens.

## 10 Test report

The test report shall include the following:

- a) identifier and year of publication of this International Standard (e.g. ISO 13427-2014);
- b) sample ID;
- c) average retained tensile strength (in %);
- d) coefficient of variation (in %);
- e) any deviation from the procedure, e.g. number of cycles, load, etc.;
- f) any unusual behaviour, such as rupture during test, formation of balls/rolls of fibre on the test surface, repositioning of the specimen, etc.;
- g) the use of underlays, etc.;
- h) if the test is terminated, the reason/s for termination.



**Key**

- 1 sliding block with emery abrasant
- 2 geosynthetic specimen (testing area 50 mm × 200 mm) ± 1 mm
- 3 top plate
- 4 total mass (6 ± 0,01) kg
- 5 (25 ± 1) mm linear motion
- 6 vertical guidance
- 7 eccentricity 12,5 mm

**Figure 1 — Example of testing apparatus with sliding block**







# British Standards Institution (BSI)

BSI is the national body responsible for preparing British Standards and other standards-related publications, information and services.

BSI is incorporated by Royal Charter. British Standards and other standardization products are published by BSI Standards Limited.

## About us

We bring together business, industry, government, consumers, innovators and others to shape their combined experience and expertise into standards-based solutions.

The knowledge embodied in our standards has been carefully assembled in a dependable format and refined through our open consultation process. Organizations of all sizes and across all sectors choose standards to help them achieve their goals.

## Information on standards

We can provide you with the knowledge that your organization needs to succeed. Find out more about British Standards by visiting our website at [bsigroup.com/standards](http://bsigroup.com/standards) or contacting our Customer Services team or Knowledge Centre.

## Buying standards

You can buy and download PDF versions of BSI publications, including British and adopted European and international standards, through our website at [bsigroup.com/shop](http://bsigroup.com/shop), where hard copies can also be purchased.

If you need international and foreign standards from other Standards Development Organizations, hard copies can be ordered from our Customer Services team.

## Subscriptions

Our range of subscription services are designed to make using standards easier for you. For further information on our subscription products go to [bsigroup.com/subscriptions](http://bsigroup.com/subscriptions).

With **British Standards Online (BSOL)** you'll have instant access to over 55,000 British and adopted European and international standards from your desktop. It's available 24/7 and is refreshed daily so you'll always be up to date.

You can keep in touch with standards developments and receive substantial discounts on the purchase price of standards, both in single copy and subscription format, by becoming a **BSI Subscribing Member**.

**PLUS** is an updating service exclusive to BSI Subscribing Members. You will automatically receive the latest hard copy of your standards when they're revised or replaced.

To find out more about becoming a BSI Subscribing Member and the benefits of membership, please visit [bsigroup.com/shop](http://bsigroup.com/shop).

With a **Multi-User Network Licence (MUNL)** you are able to host standards publications on your intranet. Licences can cover as few or as many users as you wish. With updates supplied as soon as they're available, you can be sure your documentation is current. For further information, email [bsmusales@bsigroup.com](mailto:bsmusales@bsigroup.com).

## BSI Group Headquarters

389 Chiswick High Road London W4 4AL UK

## Revisions

Our British Standards and other publications are updated by amendment or revision.

We continually improve the quality of our products and services to benefit your business. If you find an inaccuracy or ambiguity within a British Standard or other BSI publication please inform the Knowledge Centre.

## Copyright

All the data, software and documentation set out in all British Standards and other BSI publications are the property of and copyrighted by BSI, or some person or entity that owns copyright in the information used (such as the international standardization bodies) and has formally licensed such information to BSI for commercial publication and use. Except as permitted under the Copyright, Designs and Patents Act 1988 no extract may be reproduced, stored in a retrieval system or transmitted in any form or by any means – electronic, photocopying, recording or otherwise – without prior written permission from BSI. Details and advice can be obtained from the Copyright & Licensing Department.

## Useful Contacts:

### Customer Services

**Tel:** +44 845 086 9001

**Email (orders):** [orders@bsigroup.com](mailto:orders@bsigroup.com)

**Email (enquiries):** [cservices@bsigroup.com](mailto:cservices@bsigroup.com)

### Subscriptions

**Tel:** +44 845 086 9001

**Email:** [subscriptions@bsigroup.com](mailto:subscriptions@bsigroup.com)

### Knowledge Centre

**Tel:** +44 20 8996 7004

**Email:** [knowledgecentre@bsigroup.com](mailto:knowledgecentre@bsigroup.com)

### Copyright & Licensing

**Tel:** +44 20 8996 7070

**Email:** [copyright@bsigroup.com](mailto:copyright@bsigroup.com)



...making excellence a habit.™