

BS EN ISO 13297:2014



BSI Standards Publication

Small craft — Electrical systems — Alternating current installations

bsi.

...making excellence a habit.™

National foreword

This British Standard is the UK implementation of EN ISO 13297:2014. It supersedes BS EN ISO 13297:2012 which is withdrawn.

The UK participation in its preparation was entrusted to Technical Committee GME/33, Small craft.

A list of organizations represented on this committee can be obtained on request to its secretary.

This publication does not purport to include all the necessary provisions of a contract. Users are responsible for its correct application.

© The British Standards Institution 2014. Published by BSI Standards Limited 2014

ISBN 978 0 580 86141 3

ICS 47.020.60; 47.080

Compliance with a British Standard cannot confer immunity from legal obligations.

This British Standard was published under the authority of the Standards Policy and Strategy Committee on 31 December 2014.

Amendments issued since publication

Date	Text affected
------	---------------

EUROPEAN STANDARD

EN ISO 13297

NORME EUROPÉENNE

EUROPÄISCHE NORM

December 2014

ICS 47.080

Supersedes EN ISO 13297:2012

English Version

Small craft - Electrical systems - Alternating current installations (ISO 13297:2014)

Petits navires - Systèmes électriques - Installations à
courant alternatif (ISO 13297:2014)

Kleine Wasserfahrzeuge - Elektrische Systeme -
Wechselstromanlagen (ISO 13297:2014)

This European Standard was approved by CEN on 13 September 2014.

CEN members are bound to comply with the CEN/CENELEC Internal Regulations which stipulate the conditions for giving this European Standard the status of a national standard without any alteration. Up-to-date lists and bibliographical references concerning such national standards may be obtained on application to the CEN-CENELEC Management Centre or to any CEN member.

This European Standard exists in three official versions (English, French, German). A version in any other language made by translation under the responsibility of a CEN member into its own language and notified to the CEN-CENELEC Management Centre has the same status as the official versions.

CEN members are the national standards bodies of Austria, Belgium, Bulgaria, Croatia, Cyprus, Czech Republic, Denmark, Estonia, Finland, Former Yugoslav Republic of Macedonia, France, Germany, Greece, Hungary, Iceland, Ireland, Italy, Latvia, Lithuania, Luxembourg, Malta, Netherlands, Norway, Poland, Portugal, Romania, Slovakia, Slovenia, Spain, Sweden, Switzerland, Turkey and United Kingdom.



EUROPEAN COMMITTEE FOR STANDARDIZATION
COMITÉ EUROPÉEN DE NORMALISATION
EUROPÄISCHES KOMITEE FÜR NORMUNG

CEN-CENELEC Management Centre: Avenue Marnix 17, B-1000 Brussels

Foreword

This document (EN ISO 13297:2014) has been prepared by Technical Committee ISO/TC 188 "Small craft".

This European Standard shall be given the status of a national standard, either by publication of an identical text or by endorsement, at the latest by June 2015, and conflicting national standards shall be withdrawn at the latest by June 2015.

Attention is drawn to the possibility that some of the elements of this document may be the subject of patent rights. CEN [and/or CENELEC] shall not be held responsible for identifying any or all such patent rights.

This document supersedes EN ISO 13297:2012.

This document has been prepared under a mandate given to CEN by the European Commission and the European Free Trade Association, and supports essential requirements of EU Directive.

For relationship with EU Directive, see informative Annex ZA, which is an integral part of this document.

According to the CEN-CENELEC Internal Regulations, the national standards organizations of the following countries are bound to implement this European Standard: Austria, Belgium, Bulgaria, Croatia, Cyprus, Czech Republic, Denmark, Estonia, Finland, Former Yugoslav Republic of Macedonia, France, Germany, Greece, Hungary, Iceland, Ireland, Italy, Latvia, Lithuania, Luxembourg, Malta, Netherlands, Norway, Poland, Portugal, Romania, Slovakia, Slovenia, Spain, Sweden, Switzerland, Turkey and the United Kingdom.

Endorsement notice

The text of ISO 13297:2014 has been approved by CEN as EN ISO 13297:2014 without any modification.

Annex ZA (informative)

Relationship between this European Standard and the Essential Requirements of EU Directive 94/25/EC as amended by Directive 2003/44/EC

This European standard has been prepared under a mandate given to CEN by the European Commission to provide one means of conforming to Essential Requirements of the New Approach Directive 94/25/EC as amended by Directive 2003/44/EC.

Once this standard is cited in the Official Journal of the European Union under that Directive and has been implemented as a national standard in at least one member state, compliance with the normative clauses of this standard given in Table ZA.1 confers, within the limits of the scope of this standard, a presumption of conformity with the relevant Essential Requirements of that Directive and associated EFTA regulations.

Table ZA.1 - Correspondence between this European Standard and Directive 94/25/EC as amended by Directive 2003/44/EC

Clauses/sub-clauses Of this European Standard	Corresponding annexes/ Paragraphs of Directive 94/25/EC as amended 2003/44/EC	Comments
All clauses	Annex IA, Clause 5.3 Electrical systems	The scope of this standard is limited to the design, construction and installation of low-voltage alternating current electrical systems which operate at nominal voltages of less than 250 V single phase
Clause 11.12	Annex IA, Clause 5.6.1 Fire protection	In respect of avoiding wiring above hot areas of machines
Annex B	Annex IA, Clause 2.5 Owner's manual	

WARNING: Other requirements and other EU Directives may be applicable to the product(s) falling within the scope of this standard.

Contents

Page

Foreword	iv
1 Scope	1
2 Normative references	1
3 Terms and definitions	1
4 General requirements	4
5 Marking	6
6 Ignition sources	7
7 Overcurrent protection	7
7.1 General.....	7
7.2 Supply circuits.....	8
7.3 Branch circuits.....	8
8 Ground-fault protection/earth-leakage protection	8
9 Appliances and equipment	9
10 System wiring	9
11 Conductor and cable installation	10
12 Panel boards (switchboards)	11
13 Socket outlets	12
14 Power source options	12
15 Inverters and inverter/chargers	13
Annex A (normative) Conductor requirements	15
Annex B (normative) Instructions to be included with owner's manual	17
Annex C (informative) Recommended system tests	18
Annex D (informative) Typical a.c. system diagrams	19
Bibliography	27

Foreword

ISO (the International Organization for Standardization) is a worldwide federation of national standards bodies (ISO member bodies). The work of preparing International Standards is normally carried out through ISO technical committees. Each member body interested in a subject for which a technical committee has been established has the right to be represented on that committee. International organizations, governmental and non-governmental, in liaison with ISO, also take part in the work. ISO collaborates closely with the International Electrotechnical Commission (IEC) on all matters of electrotechnical standardization.

The procedures used to develop this document and those intended for its further maintenance are described in the ISO/IEC Directives, Part 1. In particular the different approval criteria needed for the different types of ISO documents should be noted. This document was drafted in accordance with the editorial rules of the ISO/IEC Directives, Part 2 (see www.iso.org/directives).

Attention is drawn to the possibility that some of the elements of this document may be the subject of patent rights. ISO shall not be held responsible for identifying any or all such patent rights. Details of any patent rights identified during the development of the document will be in the Introduction and/or on the ISO list of patent declarations received (see www.iso.org/patents).

Any trade name used in this document is information given for the convenience of users and does not constitute an endorsement.

For an explanation on the meaning of ISO specific terms and expressions related to conformity assessment, as well as information about ISO's adherence to the WTO principles in the Technical Barriers to Trade (TBT) see the following URL: [Foreword - Supplementary information](#)

The committee responsible for this document is ISO/TC 188, *Small craft*.

This fourth edition cancels and replaces the third edition (ISO 13297:2012), of which it constitutes a minor revision. The main changes are:

- deletion of Annex E;
- replacement of [Annex D](#);
- correction of references in [14.1](#) indent e) by replacing 4.8 with [4.7](#) and in [14.3](#) by replacing 4.6 with [4.7](#);
- update of reference to ISO 10133.

Small craft — Electrical systems — Alternating current installations

IMPORTANT — The colours represented in the electronic file of this document can be neither viewed on screen nor printed as true representations. Although the copies of this document printed by ISO have been produced to correspond (with an acceptable tolerance as judged by the naked eye) to the requirements of ISO 3864-4, it is not intended that these printed copies be used for colour matching. Instead, consult ISO 3864-4, which provides colorimetric and photometric properties together with, as a guideline, references from colour order systems.

1 Scope

This International Standard specifies the requirements for the design, construction and installation of low-voltage alternating current electrical systems which operate at nominal voltages of less than 250 V single phase on small craft of hull length up to 24 m.

Additional information to be included in the owner's manual is listed in [Annex B](#).

2 Normative references

The following documents, in whole or in part, are normatively referenced in this document and are indispensable for its application. For dated references, only the edition cited applies. For undated references, the latest edition of the referenced document (including any amendments) applies.

ISO 7010, *Graphical symbols — Safety colours and safety signs — Registered safety signs*

ISO 8846, *Small craft — Electrical devices — Protection against ignition of surrounding flammable gases*

ISO 10133, *Small craft — Electrical systems — Extra-low-voltage d.c. installations*

ISO 10240, *Small craft — Owner's manual*

IEC 60079-0, *Explosive atmospheres — Part 0: General requirements*

IEC 60309-2, *Plugs, socket-outlets and couplers for industrial purposes — Part 2: Dimensional interchangeability requirements for pin and contact-tube accessories*

IEC 60446, *Basic and safety principles for man-machine interface marking and identification — Identification of conductors by colours or numerals*

IEC 60529:1989, *Degrees of protection provided by enclosures (IP code)*

3 Terms and definitions

For the purposes of this document, the following terms and definitions apply.

3.1

craft's earth

protective ground

connection, provided for safety purposes, that is established by a conducting connection with the common ground/earth (potential of the earth's surface)

3.2
equipotential bonding conductor

normally non-current-carrying conductor used to put various exposed conductive parts of direct current electrical devices and extraneous conductive parts at a substantially equal potential

3.3
residual current device
RCD

electro-mechanical switching device or association of devices designed to make, carry and break currents under normal service conditions and to cause the opening of contacts when the residual current attains a given value under specified conditions

Note 1 to entry: RCDs serve to reduce the risk of injury to people from electrical shock hazard, and damage to equipment from leakage of stray currents to earth or to other circuits.

3.4
polarization transformer

transformer which automatically orientates the neutral and active (phase) conductors in the system in the same polarity orientation as the polarized system of the craft

3.5
isolation transformer

transformer with protective separation between the input and output windings and the protective conductor

3.6
neutral conductor

conductor connected to the neutral point of a system and capable of contributing to the transmission of electrical energy

3.7
protective conductor
protective grounding conductor

conductor, not normally carrying current, used for some measure of protection against electric shock, for electrically connecting any of the following parts of electrical equipment to the craft's ground (earth) and to the shore a.c. grounding conductor through the shore power cable:

- a) exposed conductive parts of electrical equipment;
- b) extraneous conductive parts;
- c) the main grounding (earthing) terminal;
- d) earth electrode(s);
- e) the earth point of a source, or an artificial neutral

3.8
live conductor

conductor or conductive part intended to be energized in normal use, including a neutral conductor

3.9
active (phase) conductor

any conductor that is maintained at a difference of potential from the neutral or protective conductor

Note 1 to entry: In a system that does not include a neutral or protective conductor, all conductors are to be considered active conductors.

3.10
ignition-protected equipment

equipment designed and constructed to give protection against ignition of surrounding flammable gases

Note 1 to entry: See ISO 8846.

3.11

overcurrent protection device

device designed to interrupt the circuit when the current flow exceeds a predetermined value for a predetermined time

EXAMPLE A fuse or circuit breaker.

3.12

panel board switchboard

assembly of devices for the purpose of controlling and/or distributing electrical power

Note 1 to entry: Examples of devices include circuit breakers, fuses, switches, instruments and indicators.

3.13

polarized system

system in which the live conductors are connected in the same relation to all terminals on devices or receptacles (socket outlets) in a circuit

3.14

shore power appliance inlet

fitting designed for mounting on a craft, of a shrouded male type, to connect to the female connector on the craft end of the shore power cable in order to make the electrical connection for transmission of electrical energy

3.15

trip-free circuit breaker

mechanical switching device capable of making, carrying and breaking currents under normal circuit conditions and also making, carrying for a specified time and breaking currents under specified abnormal circuit conditions such as those of overload or short circuit, and which is designed so that the resetting means cannot be manually held in place to override the current-interrupting mechanism

3.16

accessible

capable of being reached for inspection, removal or maintenance without removing the craft's permanent structure

3.17

readily accessible

capable of being reached quickly and safely for effective use without the use of tools

3.18

sheath

uniform and continuous protective tubular covering of metallic or non-metallic material around one or more insulated conductors

Note 1 to entry: Examples of appropriate materials include moulded rubber, moulded plastic, woven sleeving or flexible tubing.

3.19

conduit

part of a closed wiring system of circular or non-circular cross-section for insulated conductors and/or cables in electrical installations, allowing them to be drawn in and/or replaced

3.20

cable trunking

system of closed enclosures comprising a base with a removable cover intended for the complete surrounding of insulated conductors, cables, cords and for the accommodation of other electrical equipment

3.21

double-pole circuit breaker

device intended to interrupt both the neutral and active (phase) conductors in a circuit simultaneously when a designated current is exceeded for a predetermined time

3.22

captive spade terminal

conductor terminal component which is maintained in the connection to the screw or stud even when the threaded terminal fastener is loose

3.23

exposed conductive part

conductive part of electrical equipment, which can be readily touched and which is not normally live, but which can become live under fault conditions

3.24

fuse

protective device that interrupts the circuit irreversibly when the current flow reaches a specified value for a specific time

[SOURCE: ISO 8820-1:2008, 3.1]

3.25

galvanic isolator

device which can be installed in series with the a.c. protective conductor of the shore power cable to block low voltage d.c. galvanic current flow, but permit the passage of a.c. normally associated with the protective conductor

3.26

inverter

device powered by d.c. current (batteries), designed primarily to provide a.c. at a required voltage and frequency

3.27

inverter/charger

device designed to supply either a.c. power to a craft's electrical system or to utilize the craft's a.c. electrical distribution system to charge or maintain a battery or batteries supplying d.c.

3.28

extraneous conductive part

conductive part liable to introduce a potential, generally earth potential, and not forming part of the electrical installation

4 General requirements

4.1 The protective conductor insulation shall be green or green with a yellow stripe. Neither colour shall be used for current-carrying conductors.

NOTE The equipotential bonding conductor of the d.c. electrical system (see ISO 10133) also uses green or green with a yellow stripe insulation and is connected to various exposed conductive parts of d.c. electrical devices, other extraneous conductive parts and the d.c. negative ground/earth.

4.2 For crafts having a fully insulated d.c. system in accordance with ISO 10133, the a.c. protective conductor shall be connected to:

- a) the hull of a metallic hulled craft;
- b) the craft's external ground/earth or ground plate for non-conductive hulls.

4.3 The hull of a metallic hull craft shall not be used as a circuit conductor.

4.4 The a.c. protective conductor(s) shall be provided with a final (single) connection to the hull of a metallic hull craft, or if the craft has a non-metallic hull, to the main grounding/earthing point of the craft.

4.5 On metallic hulls, the point of connection of the protective conductor shall be located above any anticipated water accumulation.

4.6 Metallic housings or enclosures of permanently installed a.c. electrical appliances shall be connected to the protective conductor system in the craft.

4.7 Individual circuits shall not be capable of being energized by more than one source of electrical power at a time. Each shore power inlet, generator or inverter is a separate source of electrical power. The transfer from one power source circuit to another shall be made by a means which opens all live conductors, active (phase) and neutral, before closing the alternate source circuit, to prevent arc-over between contacts, and should be interlocked by mechanical or electromechanical means. The conductors of both circuits-carrying conductors, active (phase) and neutral, shall be broken simultaneously when changing power sources.

The requirements for overcurrent protection and sizing of the switch are found in [Clause 7](#). A combination of power sources may be used provided that:

- the device is constructed and tested to an applicable recognized standard;
 - the device includes anti-islanding protection;
 - the device includes personnel protection against backfeeding; and
- the installation is performed according to the manufacturer's instructions.

4.8 Energized parts of electrical equipment shall be guarded against accidental contact by the use of enclosures of at least IEC 60529-IP 2X or other protective means which shall not be used for non-electrical equipment. Access to energized parts of the electrical system shall require the use of hand tools or be at least IP 2X, unless otherwise specified. A suitable warning sign shall be displayed (see [5.2](#)).

4.9 The neutral conductor shall be grounded (earthed) only at the source of power, i.e. at the onboard generator, the secondary of the isolation or polarization transformer, the shore power connection or inverter. The shore power neutral shall be grounded (earthed) through the shore power cable and shall not be grounded (earthed) on board the craft or:

- a) for systems using an isolation transformer or polarization transformer, both the generator or inverter neutral and the transformer secondary neutrals may be grounded at the a.c. main grounding bus instead of at the generator, inverter, or transformer secondaries;
- b) for systems using an isolation transformer or polarization transformer, or no shore power provision, both the generator or inverter neutral and the transformer secondary neutrals may be ungrounded provided double-pole protection and switching is installed.

4.10 When an optional galvanic isolator is fitted in the protective conductor to resist imported stray galvanic current flow while permitting the passage of a.c. current, failure of the isolator shall not result in an open circuit.

4.11 Reverse polarity indicating devices providing a continuous visible or audible signal shall be installed in shore power systems and shall respond to the reversal of the active (phase) and the neutral conductors, if the polarity of the system has to be maintained for the proper operation of the electrical devices in

the system. Otherwise, a branch circuit shall be provided with overcurrent protection in only the active (phase) conductors. This does not apply for the systems indicated below in a) and b).

Reverse polarity indicating devices are not required on craft employing:

- a) unpolarized systems using double-pole branch circuit protection;
- b) polarization or isolation transformers that establish polarity on the craft.

NOTE 1 Reverse polarity indicating devices might not respond to reversals of a live conductor and the protective conductor.

NOTE 2 Reverse polarity indicating devices respond to the reversal of an active (phase) conductor or grounded conductor only when there is continuity of the protective conductor to shore.

4.12 Craft equipped with both d.c and a.c. electrical systems shall have their distribution from either separate panel boards or from a common one with a partition or other positive means provided to separate clearly the a.c. and d.c. sections from each other, and shall be clearly identified. Wiring diagrams to identify circuits, components and conductors shall be included with the craft.

NOTE After completing an a.c. installation it is recommended to perform a system test according to [Annex C](#).

5 Marking

5.1 Shore power inlets shall be marked to indicate voltage and current; they shall also be marked with the electricity warning symbol (ISO 7010 — W012) and the “refer to instruction manual/booklet” symbol (ISO 7010 — M002).

5.2 A permanently mounted waterproof warning sign shall be located at the panel board on the craft. The sign shall include the information shown in [Figure 1a](#)) or [Figure 1b](#)).



General warning sign
ISO 7010 — W001



Warning; Electricity
ISO 7010 — W012



Warning; Flammable material
ISO 7010 — W021



Refer to instruction manual/booklet
ISO 7010 — M002

a) Suggested warning sign using symbols

WARNING — To minimize shock and fire hazards:	
1	Turn off craft's shore power connection switch before connecting or disconnecting shore power cable.
2	Connect shore power cable to craft's inlet before connecting to shore power source.
3	If incorrect polarity is indicated, immediately disconnect cable.
4	Disconnect shore power cable at shore power source first.
5	Close shore power inlet cover tightly.
DO NOT ALTER SHORE POWER CABLE CONNECTORS	

NOTE 1 Item 3 is required only if a polarity indicator is installed in the system

NOTE 2 Items 2, 4 and 5 are not required for permanently connected shore power cable installations

b) Suggested warning sign with text in language appropriate to the country of use

Figure 1 — Suggested warning signs

5.3 Switches and controls shall be marked to indicate their function, unless the purpose of the switch is obvious and if operation of the switch could not, under normal operating conditions, cause a hazardous condition.

5.4 Electrical equipment shall be marked or identified to indicate:

- a) manufacturer's identification;
- b) model number or designation;
- c) electrical rating in volts and amperes or volts and watts;
- d) phase and frequency, if applicable;
- e) ignition protected, if applicable, by ISO 8846.

6 Ignition sources

Electrical components installed in compartments which in normal operation can contain LPG gases or petrol vapor, e.g. petrol tank, engine compartment and LPG lockers, shall be designed to be compliant with ISO 8846 or designed according to IEC 60079-0.

NOTE ISO 10088 requires that all components in petrol engines, petrol and LPG tank compartments be ignition-protected to prevent open sparks. This applies to the entire engine, as well as all electrical contacts, commutators, brushes, collector rings, switches, relays, generators, fuses, distributors, engine-cranking motors, propulsion trim motors, etc. ISO 8846 requires components to withstand any operating conditions of the device, including the maximum achievable overload up to 400 % of the rated current (circuit-breakers, switches and the like) and a stalled rotor condition for any motor with the circuit protected in an overcurrent protective device specified by the product manufacturer.

7 Overcurrent protection

7.1 General

7.1.1 In unpolarized systems double-pole circuit breakers opening both active (phase) and neutral conductors are required.

7.1.2 Fuses shall not be installed in unpolarized systems. If used in polarized systems, fuses shall be located to interrupt the active (phase) conductor.

7.1.3 Overcurrent protection devices for motor loads shall have a predetermined value of amperage consistent with electrical demand of the protected circuit.

7.1.4 All a.c. motor installations and each motor of a motor-operated device shall be individually protected in accordance with [7.1.3](#) or by an integral overcurrent or thermal protection device unless the motors will not overheat under continuous locked rotor conditions.

7.1.5 The rating of the overcurrent protection device shall not exceed the maximum current-carrying capacity of the conductor being protected. See [Table A.1](#).

7.2 Supply circuits

7.2.1 Double-pole circuit breakers shall be installed in conductors to all supply circuits.

7.2.2 A manually reset trip-free circuit breaker shall be installed within 0,5 m of the source of power or, if impractical, the conductor from the source of power to the panel-board circuit breaker shall be contained within a protective covering, such as a junction box, control box, enclosed panel board or within conduit or cable trunking or equivalent protective covering. If the location of the main shore power inlet circuit breaker exceeds 3 m from the shore power inlet connection or the electrical attachment point of a permanently installed shore power cord, additional circuit breakers shall be provided within 3 m of the inlet or attachment point to the electrical system in the craft, measured along the conductor.

7.2.3 Overcurrent protection shall be provided for isolation and polarization transformers, including a bank of transformers operating as a unit. Each transformer shall be protected by an individual overcurrent device on the primary side, rated at not more than 125 % of the rated primary current of the transformer.

7.3 Branch circuits

7.3.1 The active (phase) conductor of each branch circuit in a polarized system shall be provided with overcurrent protection, i.e. fuse or circuit breaker, at the point of connection to the main panel board bus.

7.3.2 Both current-carrying conductors of each branch circuit in unpolarized systems shall be provided with overcurrent protection by double-pole circuit breakers and double-pole switches, at the point of connection to the main panel board bus.

NOTE Use of a reverse polarity indicator presumes compliance with [7.3.1](#).

8 Ground-fault protection/earth-leakage protection

8.1 RCDs shall be of the trip-free type.

8.2 The craft shall be provided with earth-leakage protection in all a.c. sources by one or more double-pole RCDs having a maximum nominal trip sensitivity of 30 mA and 100 ms maximum trip time.

NOTE Common standards for RCD construction are IEC 60898-2[10], IEC 61009-1[12] and IEC 61543[13].

8.3 The RCD device shall have an internal circuit for manually testing the trip function.

9 Appliances and equipment

9.1 Appliances and fixed a.c. electrical equipment installed on a craft shall have exposed conductive parts connected to the craft protective conductor, unless the appliance is of double-insulated construction.

9.2 Integral or external overcurrent protection shall be provided.

10 System wiring

10.1 Conductors, including flexible cords, shall have a minimum rating of 300/500 V.

10.2 Conductors and flexible cords shall be multi-strand copper, with cross-sectional areas no smaller than those determined using [Table A.1](#).

NOTE A conductor used for equipment grounding is not considered a current-carrying conductor when referencing [Table A.1](#).

10.3 The insulation temperature rating of conductors and flexible cords outside engine spaces shall be at least 60 °C.

10.4 Conductors shall be at least 1 mm² in area. An exception may be made for conductors of minimum 0,75 mm² area which can be used as internal wiring in panel boards.

10.5 Conductor insulation temperature ratings in engine spaces shall be 70 °C minimum, and the conductor insulation shall be oil-resistant, or shall be protected by insulating conduit or sleeving. The conductors shall be derated in an allowable current-carrying capacity in accordance with [Annex A](#).

10.6 The protective conductor shall have a cross-sectional area equal to that of the live conductors.

- a) For earth continuity conductors (protective conductors) in flexible cables or flexible cords:
- 1) a cross-section equal to that of the current-carrying conductor if the latter is less than or equal to 16 mm²; or
 - 2) a cross-section equal to 50 % of that of the current-carrying conductor if the latter is greater than 16 mm², subject to a minimum of 16 mm²;
- b) for earth continuity conductors (protective conductors) incorporated in fixed multicore cables:
- 1) a cross-section equal to that of the main conductors if the latter is less than or equal to 16mm² subject to a minimum of 1,5 mm²; or
 - 2) a cross-section of not less than 50 % of the cross-section of the main conductor if the latter is more than 16mm², subject to a minimum of 16 mm².

10.7 Active (phase) and neutral conductors of the a.c. system shall be identified. Identification may be made by insulation colour, by numbering or by other means on the wiring diagram for the system supplied with the craft. Insulation colours used shall be in conformance with IEC 60446. For single-phase systems:

- active (phase) conductors shall be black or brown;
- neutral conductors shall be white or light blue;
- protective conductors shall be green or green with a yellow stripe (see [4.1](#)).

NOTE A coloured stripe may be added to active (phase) and neutral conductor insulations for identification in the system.

Yellow, green or green with a yellow stripe insulation colour shall not be used for active (phase) or neutral conductors of the a.c. system.

11 Conductor and cable installation

11.1 Conductor connections shall be in locations protected from the weather or in enclosures in accordance with IEC 60529-IP 55 as a minimum. Connections above deck exposed to intermittent immersion shall be in IEC 60529-IP 67 enclosures as a minimum.

11.2 Conductors and cables shall be supported throughout their length in conduits, cable trunking or trays, or by individual supports at maximum intervals of 450 mm.

11.3 An a.c. circuit shall not be contained in the same wiring system as a d.c. circuit, unless one of the following methods of separation is used:

- a) for a multicore cable or cord, the cores of the a.c. circuit are separated from the cores of the d.c. circuit by an earthed metal screen of equivalent amperage rating to that of the largest core of the a.c. circuit;
- b) the cables are insulated for their system voltage and installed in a separate compartment of a cable ducting or trunking system;
- c) the cables are installed on a tray or ladder where physical separation is provided by a partition;
- d) a separate conduit, sheath or trunking system is used;
- e) the a.c. and d.c. conductors are fixed directly to a surface and separated by at least 100 mm.

11.4 Current-carrying conductors of the a.c. system shall either be routed above foreseeable levels of bilge water and in other areas where water can accumulate, or at least 25 mm above the water level at which the automatic bilge pump switch activates.

If conductors have to be routed in the bilge area, the wiring and connections shall be in enclosures in accordance with IEC 60529-IP 67, such as continuous conduit, as a minimum, and there shall be no connections below the foreseeable water level.

11.5 Metals used for terminal studs, nuts and washers shall be corrosion-resistant and galvanically compatible with the conductor and terminal. Aluminium and unplated steel shall not be used for studs, nuts or washers in electrical circuits.

11.6 Solderless crimp-on terminals and connectors shall be used on conductors and connectors, and shall be attached with the type of crimping tool designed for the termination used and for producing a connection meeting the requirements of [11.14](#).

11.7 All conductors shall have suitable terminals installed, i.e. no bare wires to stud or screw connections.

11.8 Screw-clamp terminals or screwless terminal blocks shall clamp conductors to ensure reliable mechanical linkage and electrical contact is properly maintained without bearing directly on conductor strands. Other terminals shall be of the ring or captive spade type not dependent on screw or nut tightness alone for retention on the screw or stud. Captive spade terminals shall be of the self-locking type.

11.9 Friction type connectors on conductors may be used in circuits not exceeding 20 A if the connection does not separate when subjected to a force of 20 N.

11.10 Twist-on connectors (wire nuts) shall not be used.

11.11 Exposed shanks of terminals shall be protected against accidental shorting by insulating barriers or sleeves, except those in the protective conductor system.

11.12 Conductors shall be routed away from exhaust pipes and other heat sources which can damage the insulation. The minimum clearance is 50 mm from water-cooled exhaust components and 250 mm from dry exhaust components, unless an equivalent thermal barrier is provided.

11.13 Conductors which can be exposed to physical damage shall be protected by sheaths, conduits or other equivalent means. Conductors passing through bulkheads or structural members shall be protected against insulation damage by chafing.

11.14 Each conductor-to-connector and conductor-to-terminal connection shall be capable of withstanding a tensile force equal to at least the value shown in [Table 1](#) for the smallest conductor in the connection for 1 min, without separating.

Table 1 — Tensile values for connectors

Conductor size mm ²	Tensile force N	Conductor size mm ²	Tensile force N	Conductor size mm ²	Tensile force N
0,75	40	6	200	50	400
1	60	10	220	70	440
1,5	130	16	260	95	550
2,5	150	25	310	120	660
4	170	35	350	150	770

11.15 No more than four conductor connectors shall be secured to one terminal stud.

12 Panel boards (switchboards)

12.1 An a.c. system panel board with a means of indicating system on/off status shall be installed.

12.2 A system voltmeter shall be installed on the panel board if the system is designed to supply motor circuits or if an onboard generator is installed.

12.3 Panel boards shall be permanently marked with the system voltage and frequency.

EXAMPLE 230 V, 50 Hz; 115 V, 60 Hz.

12.4 The front side of panel boards, i.e. the switch and circuit breaker operating face, shall be readily accessible, and the rear side, i.e. the terminal and connection side, accessible.

NOTE Electrical controls required for proper operation of the craft (e.g. horns, navigation lights) should be apparent to the operator when in normal use.

12.5 Connections and components on panel boards shall be in locations protected from the weather in conformity with IEC 60529:

- IP 67 as a minimum, if exposed to short-term immersion;
- IP 55 as a minimum, if exposed to splashing water;
- IP 20 as a minimum, if located in protected locations inside the craft.

12.6 A visible means, i.e. voltmeter or lamp, indicating that the inverter is active on line and/or in standby mode, shall be provided at the a.c. panel board.

12.7 A warning label shall be placed at the panel board to indicate that the electrical system includes an inverter. For example:

WARNING – ELECTRICAL SHOCK HAZARD

Craft is equipped with a d.c. to a.c. power inverter.

To avoid serious injury or death from electrical shock:

disconnect a.c. shore power and d.c. battery power to inverter before opening panel or servicing electrical systems.

13 Socket outlets

13.1 Shore power appliance inlets shall conform to IEC 60309-2 with a minimum rating of IP 44 when mated with the appropriate plug.

13.2 Socket outlets and matching plugs used on a.c. systems shall not be interchangeable with those used in the d.c. system on the craft.

13.3 Socket outlets installed in locations subject to rain, spray or splash shall be in enclosures conforming to IEC 60529-IP55 as a minimum, when not in use. Socket outlets mated with the appropriate plug shall also remain sealed in accordance with IEC 60529, IP55.

13.4 Socket outlets installed in areas subject to flooding or momentary submersion shall be in enclosures in accordance with IEC 60529-IP67 as a minimum, and shall also meet these requirements when mated with the appropriate plug.

13.5 Socket outlets shall be of the earthing type with a terminal provided for the protective conductor.

13.6 Socket outlets provided for the galley area shall be located so that appliance cords can be plugged in without crossing above a galley stove or sink or across a traffic area.

13.7 Socket outlets shall have a voltage rating in accordance with the voltage supplied by the power sources.

14 Power source options

14.1 Power for the a.c. system shall be supplied by one of the following means:

- a) single shore power cable, power inlet, wiring and components with a capacity to supply the required design system load;
- b) separate shore power cables, power inlets, wiring and components with a capacity to supply the required design system loads;
- c) inverter supplying a.c. power from the craft's d.c. system;
- d) onboard a.c. generator(s) supplying the required system load;
- e) combination of shore power cable(s), onboard generator(s), inverters or inverter/chargers used simultaneously if the craft's circuitry is arranged such that the load connected to each source is isolated from the other sources or supplies are combined in accordance with [4.7](#).

14.2 The shore power cable(s) alone or with onboard generator(s) capacity in addition shall be at least as large as the required system load(s).

14.3 Where a.c. generators are installed, they shall be connected to the electrical distribution system as required in [4.7](#) and/or protected in accordance with [14.1 e](#)).

14.4 Except for the system indicated in the Note below, the power feeder conductor from the a.c. generator shall be protected at the generator with overcurrent protection devices with a rating such that 120 % of the generator nominal output is not exceeded.

NOTE Self-limiting (self-adjusting) generators whose maximum overload current does not exceed 120 % of its rated current output do not require additional external overcurrent protection.

See [Annex D](#) for examples of a.c. system diagrams.

15 Inverters and inverter/chargers

15.1 Permanently installed inverters and inverter/chargers shall be non-rotating power inverters supplying less than 250 V rms a.c. at a frequency of 50 Hz or 60 Hz, and shall

- a) be designed to operate up to an ambient temperature of 50 °C and withstand an ambient temperature of 70 °C without damage;
- b) be automatically controlled;
- c) provide isolation of the a.c. output from the d.c. supply circuit;
- d) have controls which are readily accessible;
- e) be located in a ventilated, dry, readily accessible site where ambient temperatures will not exceed 50 °C;

NOTE Inverters may be located in an accessible location if the controls are mounted in a readily accessible location.

- f) be mounted away from heat sources such as engine exhaust system components and other heat-producing devices;
- g) be mounted not less than 500 mm above foreseeable levels of bilge water.

15.2 Inverter outlet circuits shall be protected in accordance with [Clauses 7](#) and [8](#).

15.3 Inverters and inverter/chargers shall be ignition protected in accordance with [Clause 6](#) and shall be marked as such by the manufacturer, i.e. IGNITION PROTECTED ISO 8846.

15.4 d.c. conductor terminals or conductors shall be labelled as follows:

- a) d.c.+, or POS, or +
- b) d.c.-, or NEG, or -

15.5 A separate d.c. equipotential conductor shall be connected from the metallic case or chassis of the inverter or inverter/charger to the engine negative terminal, or its bus, and be of an amperage rating equal to the d.c. positive conductor. This conductor shall not be connected to the d.c. negative at the inverter or inverter/charger.

NOTE If the craft is fitted with an insulated d.c. system as per ISO 10133, or if the inverter a.c./d.c. power terminal enclosure is of double-insulated construction, this requirement will not necessarily apply.

15.6 Provision shall be made within the inverter or inverter/charger to permit the ready connection of three or more conductors with connectors meeting the requirements of [11.8](#) and [11.13](#). The terminals or conductors shall be labelled, e.g. L1, G, N.

15.7 Inverter or inverter/charger integral switching shall switch all live conductors. Integral switching will also disconnect the grounded (neutral) conductor from ground when an external supply is used, e.g. from a shore power source circuit unless an ungrounded system or a common neutral bus is used.

15.8 Access panels to compartments containing a.c. connections shall be provided with a label containing a warning about electrical shock hazards. For example:

WARNING – ELECTRICAL SHOCK HAZARD

To avoid electrical shock hazard:

disconnect a.c. shore power and d.c battery power to inverter before opening panel

15.9 All inverter/chargers shall include the following information for the charging system:

- a) input voltage, amperage and frequency;
- b) nominal output voltage and current;
- c) d.c. output voltage at float or shut off, if applicable;
- d) continuous output current at 12 V (24 or 32) at specified input voltage at 25 °C;
- e) battery type;
- f) warning concerning internal charged capacitor hazard when servicing.

15.10 All inverters shall also include the following information:

- a) input voltage and amperage;
- b) continuous output current at rated voltage;
- c) nominal output voltage and frequency;
- d) surge capability and duration.

Annex A (normative)

Conductor requirements

[Table A.1](#) gives allowable continuous current ratings, in amperes, at different temperature ratings and the minimum number of strands for conductors. These values have been determined for an ambient temperature of 30 °C and apply to single conductors and stranding when no more than three conductors are bundled together.

For conductors in engine rooms (60 °C ambient) or when more than three conductors are bundled together, the maximum current rating in [Table A.1](#) shall be derated by the factors given in [Table A.2](#).

Table A.1 — Cross-sectional area conductor, allowable permanent current and stranding

Cross-sectional area mm ²	Maximum continuous amperage capacity for single conductors at insulation temperature ratings						Minimum number of strands	
	60 °C	70 °C	85 °C to 90 °C	105 °C	125 °C	200 °C	Type A ^a	Type B ^b
0,75	6	10	12	16	20	25	16	-
1	8	14	18	20	25	35	16	-
1,5	12	18	21	25	30	40	19	26
2,5	17	25	30	35	40	45	19	41
4	22	35	40	45	50	55	19	65
6	29	45	50	60	70	75	19	105
10	40	65	70	90	100	120	19	168
16	54	90	100	130	150	170	37	266
25	71	120	140	170	185	200	49	420
35	87	160	185	210	225	240	127	665
50	105	210	230	270	300	325	127	1 064
70	135	265	285	330	360	375	127	1 323
95	165	310	330	390	410	430	259	1 666
120	190	360	400	450	480	520	418	2 107
150	220	380	430	475	520	560	418	2 107

^a Conductors with Type B stranding shall be used for any wiring where frequent flexing is involved during use.
^b Conductor current ratings may be interpolated for cross-sectional areas between those shown above.

Table A.2 — Derating of maximum current rating in [Table A.1](#)

Temperature rating of conductor insulation:	Multiply maximum current from Table A.1 by:
70 °C	0,75
85 °C to 90 °C	0,82
105 °C	0,86
125 °C	0,89
200 °C	1
Number of conductors bundled:	Multiply maximum amperage from Table A.1 by:
4 to 6	0,7
7 to 24	0,6
25 or more	0,5
NOTE Derating reductions for temperature and bundling are cumulative.	

Annex B (normative)

Instructions to be included with owner's manual

There shall be an owner's manual in accordance with ISO 10240.

The owner's manual shall include instructions for the operation and maintenance of the system, including a wiring diagram with conductor identification, and at least the following instructions:

- a) Do not modify the craft's electrical system or relevant drawings. Installation, alterations and maintenance should be performed by a competent marine electrical technician. Inspect system at least biennially.
- b) Disconnect shore power connections when system is not in use.
- c) Connect metallic housings or enclosures of installed electrical appliances to the protective conductor system in the craft (green or green with a yellow stripe conductor).
- d) Use double-insulated or grounded (earthed) electrical appliances.
- e) If reverse polarity indicator is activated, do not use electrical system. Correct polarity fault before activating the electrical system on the craft.
- f) **WARNING — Do not allow shore power cable end to hang in the water. An electrical field can result which can cause injury or death to nearby swimmers.**
- g) **WARNING — To minimize shock and fire hazards:**
 - **Turn off craft's shore power connection switch before connecting or disconnecting shore power cable.**
 - **Connect shore power cable to craft's inlet before connecting to shore power source.**
 - **If reverse polarity indicator is activated, turn off craft's shore power connection switch immediately (if fitted).**
 - **Disconnect shore power cable at shore power source first.**
 - **Close shore power inlet cover tightly.**
- h) Do not alter shore power cable connectors, use only compatible cable connectors and shore power receptacles.
- i) Instructions on monthly testing of the RCD.

Instruction e) is required for polarized systems with polarity indicator.

Instruction g), second list item is not required for permanently connected shore power cable installations.

Instruction g), third list item is required only if reverse polarity indicator is required in the system.

Annex C (informative)

Recommended system tests

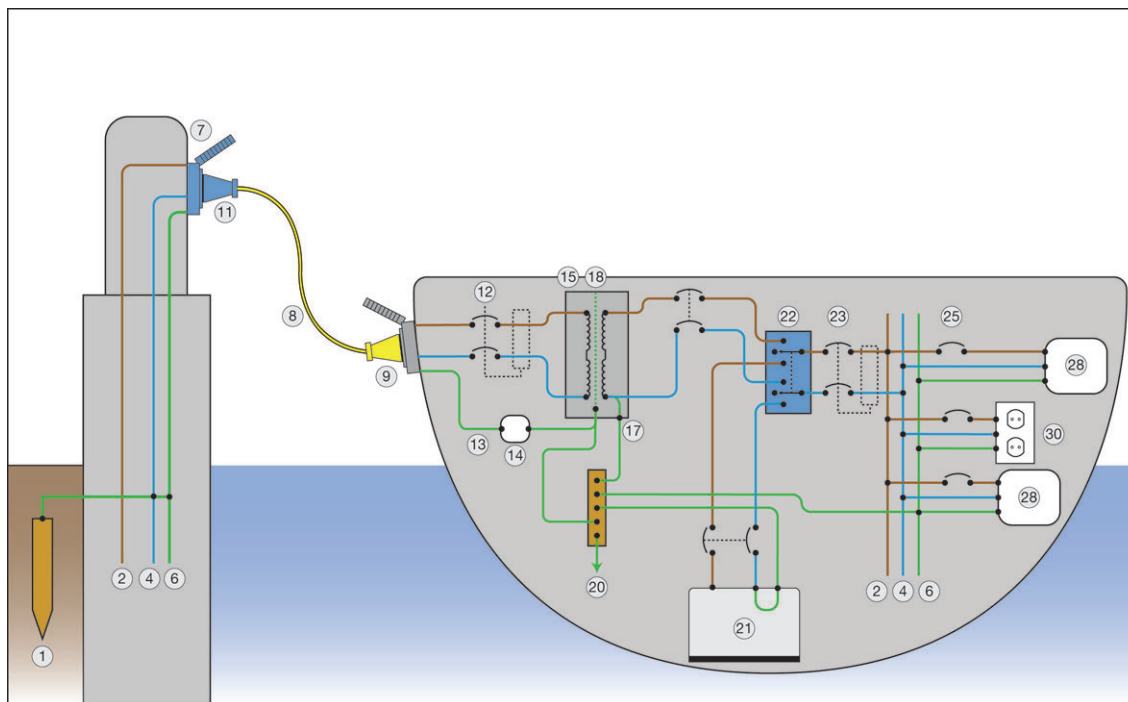
The following system tests should be performed upon completion of the a.c. installation:

- residual current device (RCD) testing;
- polarity test at distribution and at each outlet.

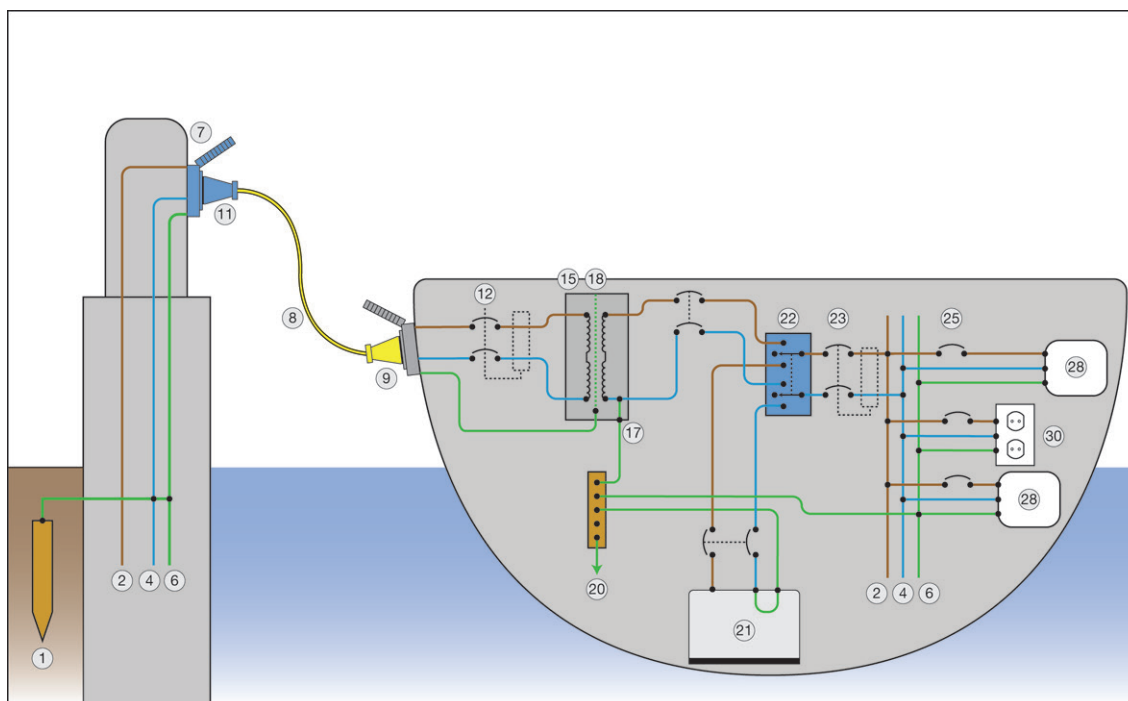
CAUTION — Some electronic equipment can be damaged by high d.c. voltages.

Annex D
(informative)

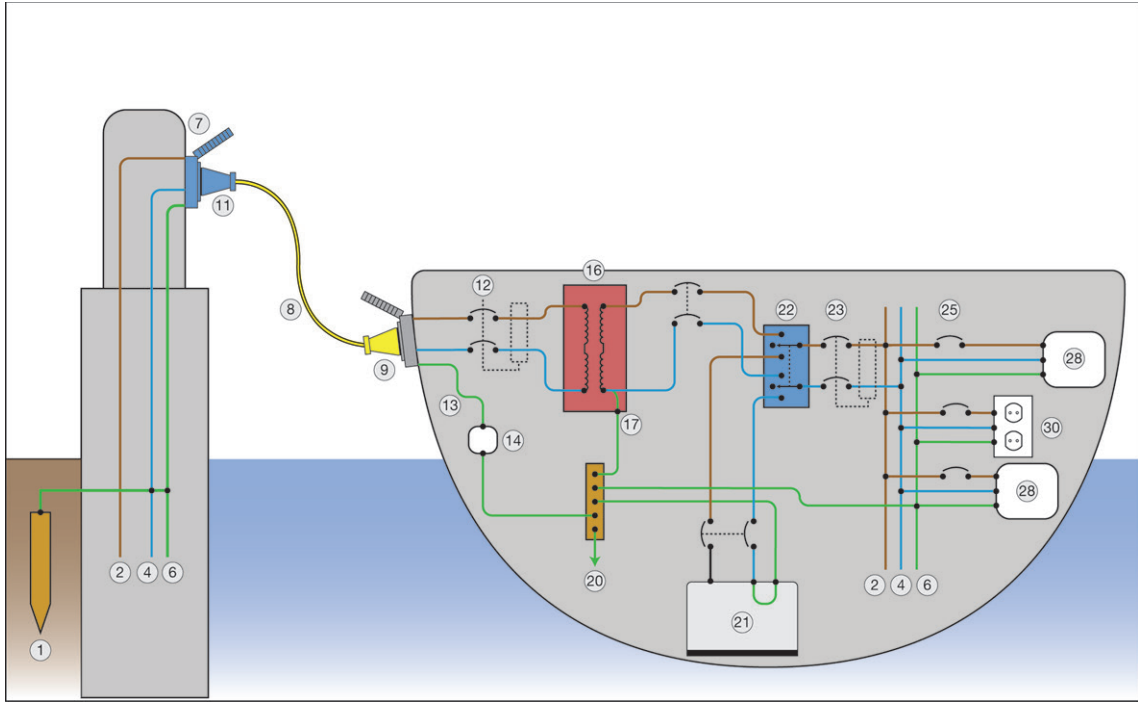
Typical a.c. system diagrams



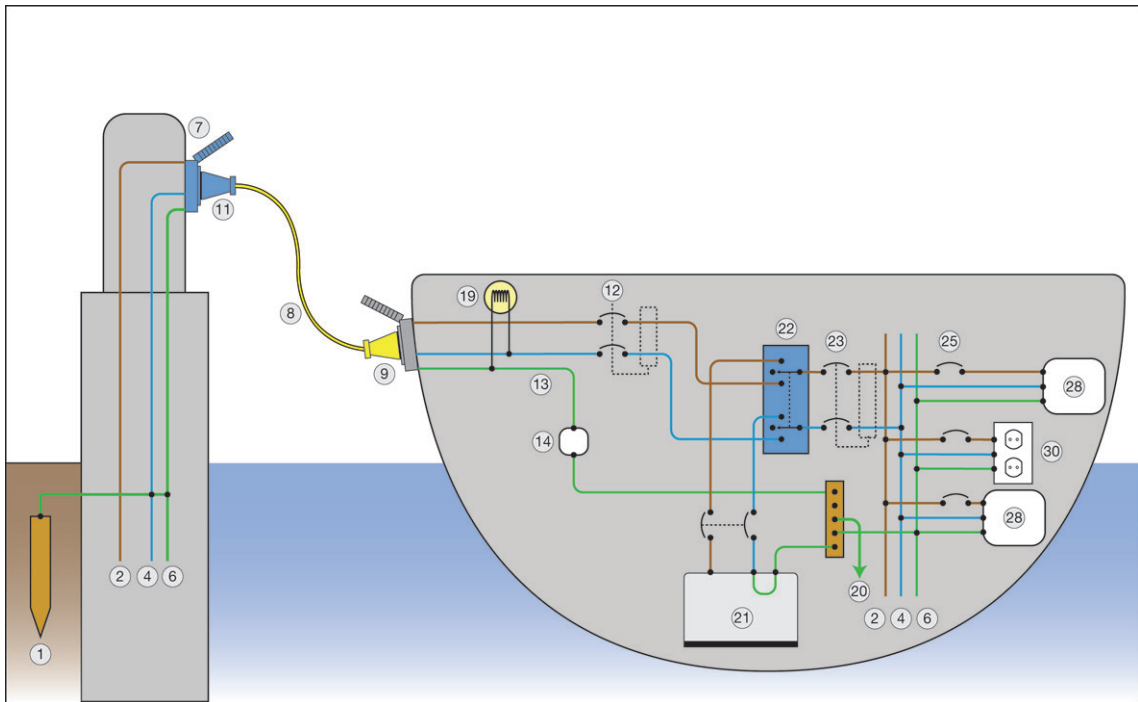
a) Isolation transformer system with a single phase 230 V input and a 230 V output and generator illustrating the use of main AC grounding bus and RCD/shore power disconnect breaker – Shown with input ground connected to ship's ground (via optional galvanic isolator), converting the isolation transformer into a polarizing transformer



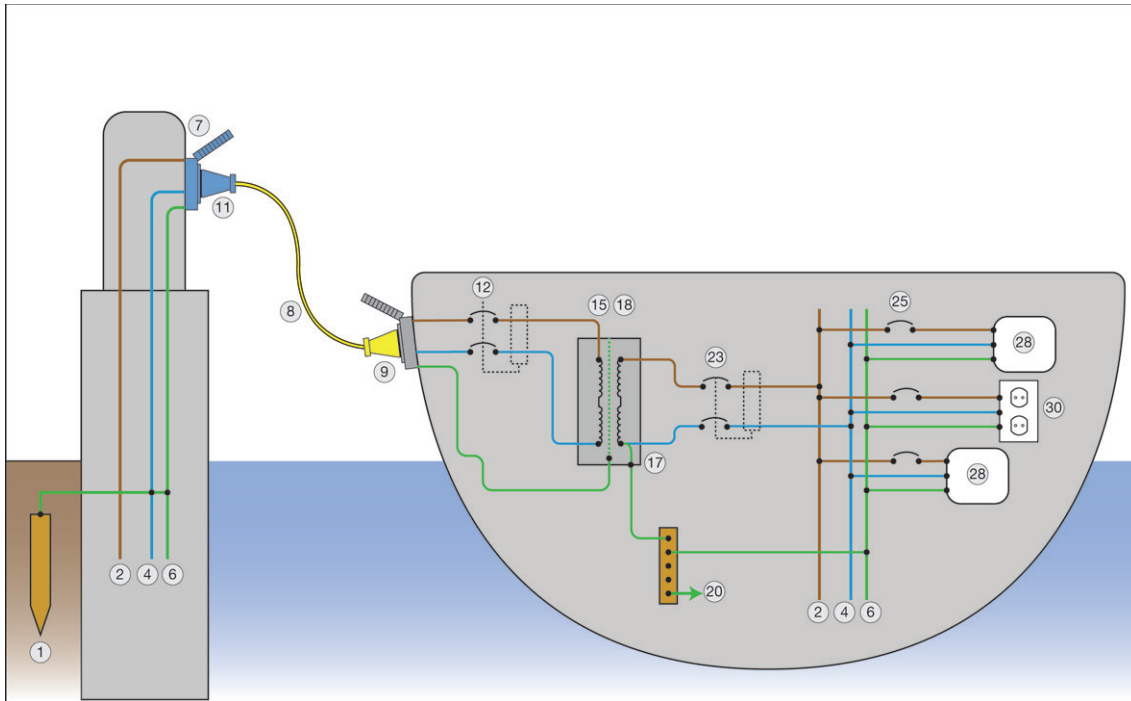
b) Isolation transformer system with a single phase 230 V input and a 230 V output, and generator illustrating the use of main AC grounding bus and RCD/shore power disconnect breaker



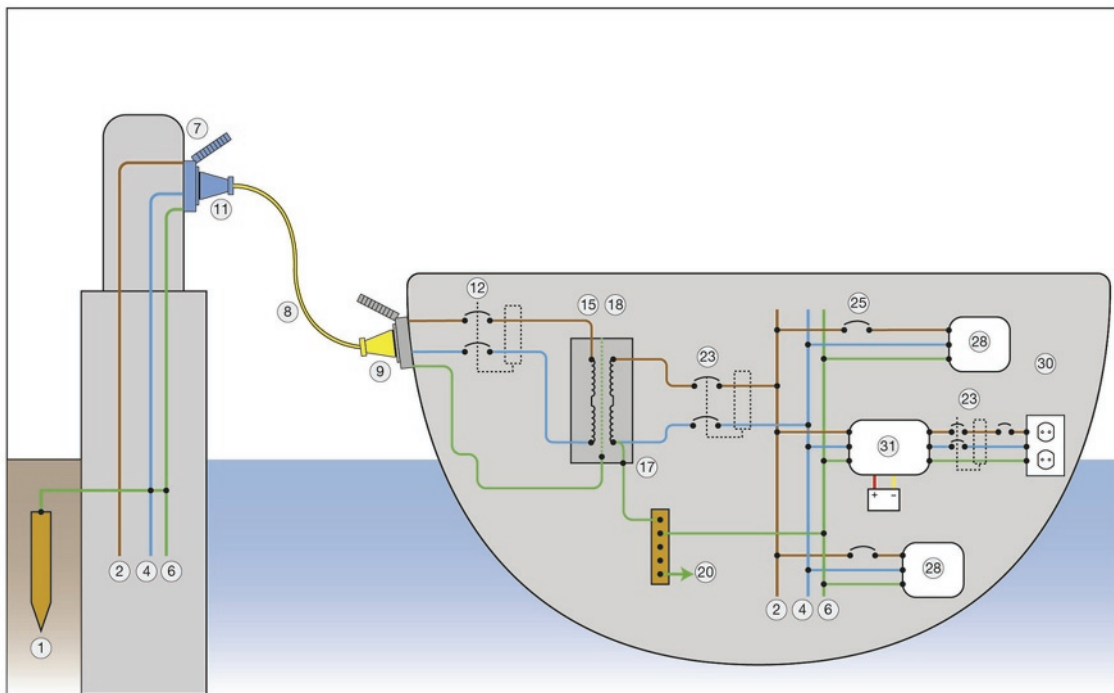
c) Polarization transformer system with a single phase 230 V input and a 230 V output, and generator illustrating the use of main AC grounding bus and RCD/shore power disconnect breaker



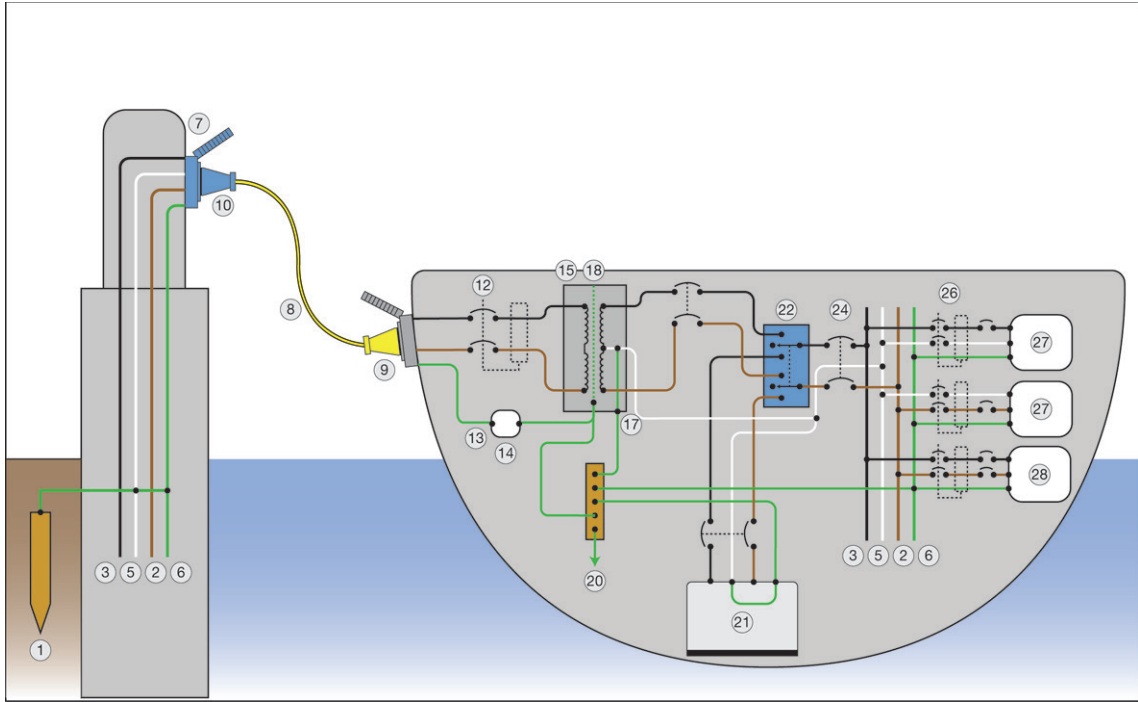
d) Single phase 230 V system with shore grounded (blue) neutral and grounding (green) conductors, and combined RCD/ MCB – A typical European system



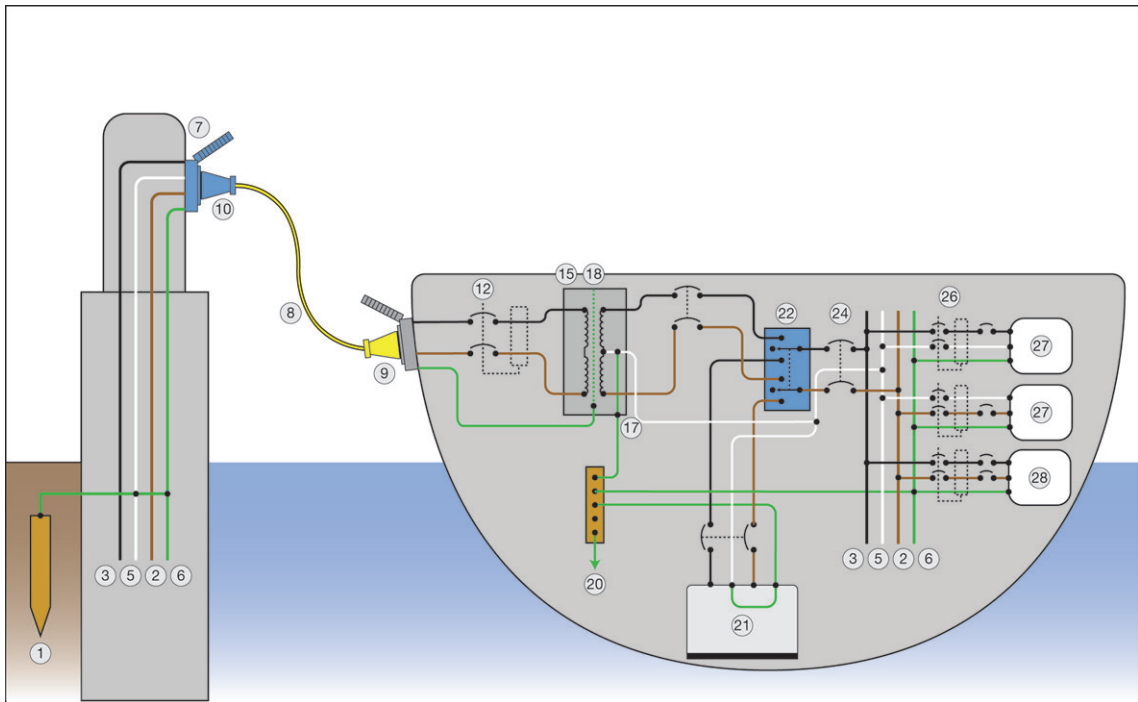
e) Isolation transformer system with single phase 230 V input, 230 V output with boat grounded secondary – Transformer shield grounded on the shore



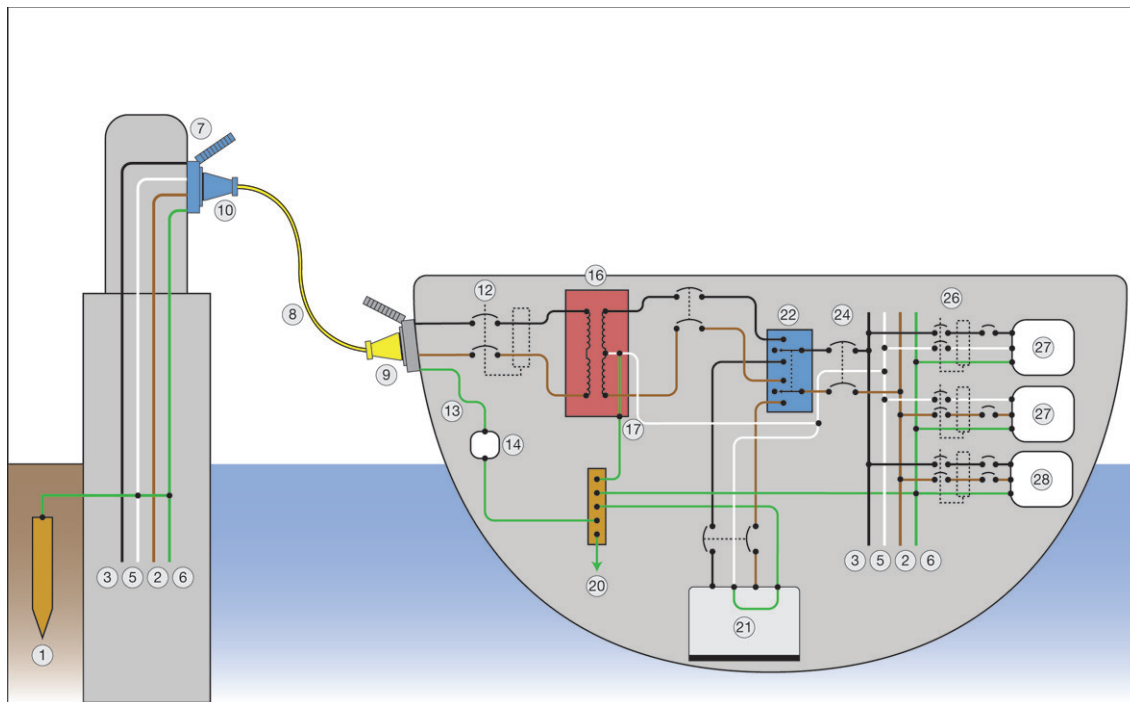
f) Isolation transformer system with single phase 230 V input, 230 V output with boat grounded secondary – Transformer shield grounded on the shore shown with inverter/charger



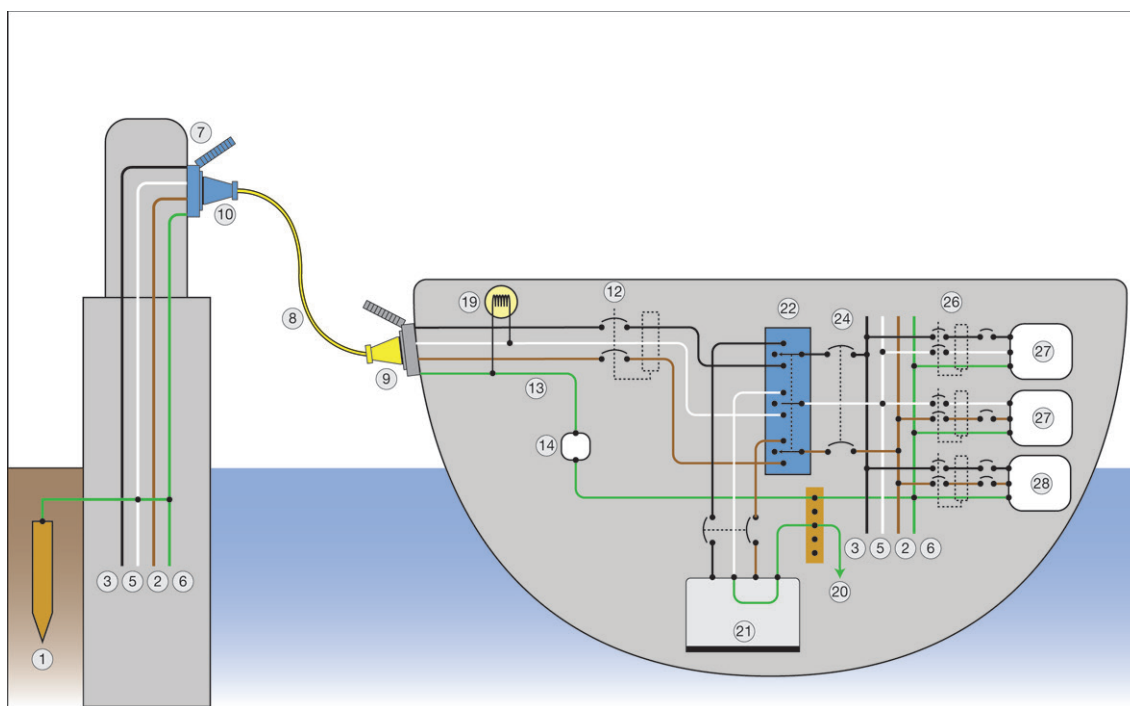
g) Isolation transformer system with a single phase 240 V input and a 120/240 V output, and generator illustrating the use of main AC grounding bus and RCD/shore power disconnect breaker – Shown with input ground connected to ship's ground (via optional galvanic isolator), converting the isolation transformer into a polarizing transformer



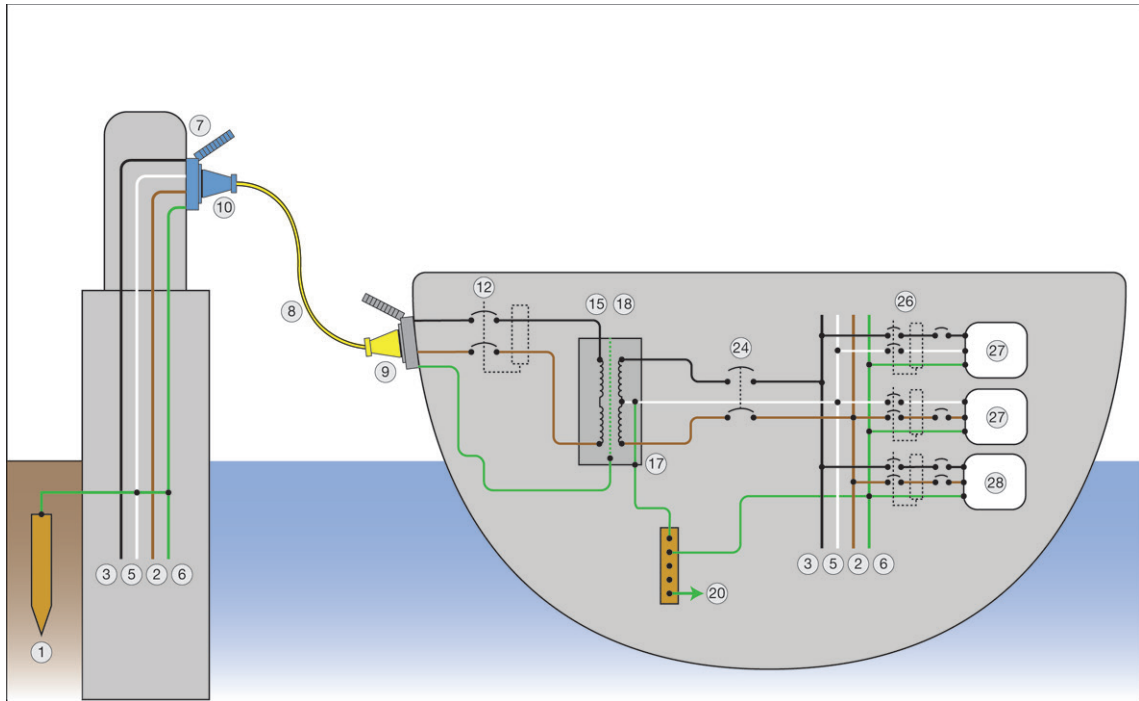
h) Isolation transformer system with a single phase 240 V input and a 120/240 V output, and generator illustrating the use of main AC grounding bus and RCD/shore power disconnect breaker



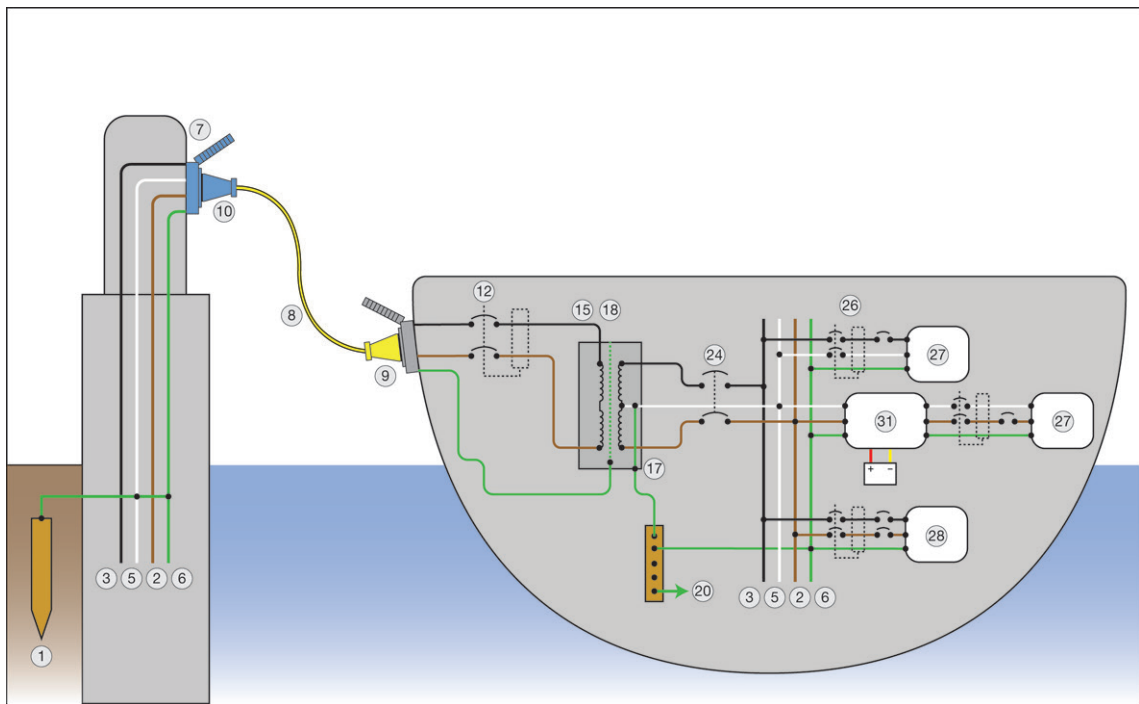
i) Polarization transformer system with a single phase 240 V input and a 120/240 V output, and generator illustrating the use of main AC grounding bus and RCD/shore power disconnect breaker – Shown with input ground connected to ships ground via optional galvanic isolator



j) Single phase 120/240 V system with shore grounded (blue or white) neutral and grounding (green) conductors and RCD/shore power disconnect breaker – A typical North American system shown with input ground connected to ships ground via optional galvanic isolator



k) Isolation transformer system with single phase 240 V input, 120/240 V output with boat grounded secondary – Transformer shield grounded on the shore



l) Isolation transformer system with single phase 240 V input, 120/240 V output with boat grounded secondary – Transformer shield grounded on the shore shown with inverter/charger

Key

- | | |
|--------------------------------|---|
| 1 Shore earth/ground rod | 17 Transformer case ground connection |
| 2 Ungrounded conductor (Brown) | 18 Transformer shield (avoids contact between primary and secondary conductors) |
| 3 Ungrounded conductor (Black) | 19 Reverse polarity warning light |

4	Grounded conductor (Blue)	20	To engine negative terminal or it's bus or AC ground plate
5	Grounded conductor (Blue or White)	21	On-board generator with integral or separate output circuit breaker
6	Grounding conductor (Green or green/yellow)	22	Transfer switch. Shore / Off / Generator
7	Shore power connection (Marina side)	23	Main power circuit breaker with RCD
8	Shore power cable	24	Main power circuit breaker
9	IEC 60309-2 Shore power cable connector with mating male appliance inlet	25	Branch circuit breakers (typical)
10	3 pole and ground plug and outlet (1 pole not used) or 2 pole and ground plug and outlet	26	Branch RCD (typical)
11	2 pole and ground plug and outlet	27	110/120 device or panel board
12	Main shore power disconnect circuit breaker with RCD (HS type 30 mA, see Article 8)	28	220/240 device or panel board
13	Shore ground terminated to transformer shield and craft's earth /ground	29	220/240
14	Optional galvanic isolator	30	220/240 grounded outlet
15	1: 1 isolation transformer with metal case and integral or separate output circuit breaker	31	Inverter charger with transfer switch (DC wiring simplified for clarity)
16	1: 1 polarization transformer with metal case and integral or separate output circuit breaker		

Figure D.1 — Typical a.c. system diagrams

Bibliography

- [1] ISO 8820-1:2008, *Road vehicles — Fuse-links — Part 1: Definitions and general test requirements*
- [2] ISO 8849:2003, *Small craft — Electrically operated direct-current bilge pumps*
- [3] ISO 9097:1991, *Small craft — Electric fans*
- [4] ISO 10088, *Small craft — Permanently installed fuel systems*
- [5] ISO 10134:2003, *Small craft — Electrical devices — Lightning-protection systems*
- [6] ISO 10239:2000, *Small craft — Liquefied petroleum gas (LPG) systems*
- [7] ISO 11105:1997, *Small craft — Ventilation of petrol engine and/or petrol tank compartments*
- [8] IEC 364-7-709:1994, *Electrical installations of buildings — Part 7: Requirements for special installations or locations — Section 709: Marinas and pleasure craft*
- [9] IEC 60898-2, *Circuit breakers for overcurrent protection for household and similar installations — Part 2: Circuit breakers for a.c. and d.c. operations*
- [10] IEC 60947-7-1, *Low-voltage switchgear and control gear — Part 7-1: Ancillary equipment — Terminal blocks for copper conductors*
- [11] IEC 61009-1, *Residual current operated circuit-breakers with integral overcurrent protection for household and similar uses (RCBOs) — Part 1: General rules*
- [12] IEC 61543, *Residual current-operated protective devices (RCDs) for household and similar use — Electromagnetic compatibility*
- [13] ABYC E-11, AC & DC, *Electrical Systems On Board Boats*
- [14] ISO 3864-4, *Graphical symbols — Safety colours and safety signs — Part 3: Design principles for graphical symbols for use in safety signs*

British Standards Institution (BSI)

BSI is the national body responsible for preparing British Standards and other standards-related publications, information and services.

BSI is incorporated by Royal Charter. British Standards and other standardization products are published by BSI Standards Limited.

About us

We bring together business, industry, government, consumers, innovators and others to shape their combined experience and expertise into standards-based solutions.

The knowledge embodied in our standards has been carefully assembled in a dependable format and refined through our open consultation process. Organizations of all sizes and across all sectors choose standards to help them achieve their goals.

Information on standards

We can provide you with the knowledge that your organization needs to succeed. Find out more about British Standards by visiting our website at bsigroup.com/standards or contacting our Customer Services team or Knowledge Centre.

Buying standards

You can buy and download PDF versions of BSI publications, including British and adopted European and international standards, through our website at bsigroup.com/shop, where hard copies can also be purchased.

If you need international and foreign standards from other Standards Development Organizations, hard copies can be ordered from our Customer Services team.

Subscriptions

Our range of subscription services are designed to make using standards easier for you. For further information on our subscription products go to bsigroup.com/subscriptions.

With **British Standards Online (BSOL)** you'll have instant access to over 55,000 British and adopted European and international standards from your desktop. It's available 24/7 and is refreshed daily so you'll always be up to date.

You can keep in touch with standards developments and receive substantial discounts on the purchase price of standards, both in single copy and subscription format, by becoming a **BSI Subscribing Member**.

PLUS is an updating service exclusive to BSI Subscribing Members. You will automatically receive the latest hard copy of your standards when they're revised or replaced.

To find out more about becoming a BSI Subscribing Member and the benefits of membership, please visit bsigroup.com/shop.

With a **Multi-User Network Licence (MUNL)** you are able to host standards publications on your intranet. Licences can cover as few or as many users as you wish. With updates supplied as soon as they're available, you can be sure your documentation is current. For further information, email bsmusales@bsigroup.com.

BSI Group Headquarters

389 Chiswick High Road London W4 4AL UK

Revisions

Our British Standards and other publications are updated by amendment or revision.

We continually improve the quality of our products and services to benefit your business. If you find an inaccuracy or ambiguity within a British Standard or other BSI publication please inform the Knowledge Centre.

Copyright

All the data, software and documentation set out in all British Standards and other BSI publications are the property of and copyrighted by BSI, or some person or entity that owns copyright in the information used (such as the international standardization bodies) and has formally licensed such information to BSI for commercial publication and use. Except as permitted under the Copyright, Designs and Patents Act 1988 no extract may be reproduced, stored in a retrieval system or transmitted in any form or by any means – electronic, photocopying, recording or otherwise – without prior written permission from BSI. Details and advice can be obtained from the Copyright & Licensing Department.

Useful Contacts:

Customer Services

Tel: +44 845 086 9001

Email (orders): orders@bsigroup.com

Email (enquiries): cservices@bsigroup.com

Subscriptions

Tel: +44 845 086 9001

Email: subscriptions@bsigroup.com

Knowledge Centre

Tel: +44 20 8996 7004

Email: knowledgecentre@bsigroup.com

Copyright & Licensing

Tel: +44 20 8996 7070

Email: copyright@bsigroup.com



...making excellence a habit.™