

BS EN ISO 13078:2013



BSI Standards Publication

**Dentistry — Dental furnace —  
Test method for temperature  
measurement with separate  
thermocouple (ISO 13078:2013)**

**bsi.**

...making excellence a habit.™

### **National foreword**

This British Standard is the UK implementation of EN ISO 13078:2013.

The UK participation in its preparation was entrusted to Technical Committee CH/106/2, Prosthodontic materials.

A list of organizations represented on this committee can be obtained on request to its secretary.

This publication does not purport to include all the necessary provisions of a contract. Users are responsible for its correct application.

© The British Standards Institution 2013. Published by BSI Standards Limited 2013

ISBN 978 0 580 71491 7

ICS 11.060.20

**Compliance with a British Standard cannot confer immunity from legal obligations.**

This British Standard was published under the authority of the Standards Policy and Strategy Committee on 28 February 2013.

### **Amendments issued since publication**

Date	Text affected
------	---------------

---

ICS 11.060.20

English Version

## Dentistry - Dental furnace - Test method for temperature measurement with separate thermocouple (ISO 13078:2013)

Médecine bucco-dentaire - Four dentaire - Méthode d'essai pour le mesurage de la température au moyen d'un thermocouple (ISO 13078:2013)

Zahnheilkunde - Brennofen - Prüfverfahren für die Temperaturmessung mit separatem Thermoelement (ISO 13078:2013)

This European Standard was approved by CEN on 12 January 2013.

CEN members are bound to comply with the CEN/CENELEC Internal Regulations which stipulate the conditions for giving this European Standard the status of a national standard without any alteration. Up-to-date lists and bibliographical references concerning such national standards may be obtained on application to the CEN-CENELEC Management Centre or to any CEN member.

This European Standard exists in three official versions (English, French, German). A version in any other language made by translation under the responsibility of a CEN member into its own language and notified to the CEN-CENELEC Management Centre has the same status as the official versions.

CEN members are the national standards bodies of Austria, Belgium, Bulgaria, Croatia, Cyprus, Czech Republic, Denmark, Estonia, Finland, Former Yugoslav Republic of Macedonia, France, Germany, Greece, Hungary, Iceland, Ireland, Italy, Latvia, Lithuania, Luxembourg, Malta, Netherlands, Norway, Poland, Portugal, Romania, Slovakia, Slovenia, Spain, Sweden, Switzerland, Turkey and United Kingdom.



EUROPEAN COMMITTEE FOR STANDARDIZATION  
COMITÉ EUROPÉEN DE NORMALISATION  
EUROPÄISCHES KOMITEE FÜR NORMUNG

**Management Centre: Avenue Marnix 17, B-1000 Brussels**

## Foreword

This document (EN ISO 13078:2013) has been prepared by Technical Committee ISO/TC 106 "Dentistry" in collaboration with Technical Committee CEN/TC 55 "Dentistry" the secretariat of which is held by DIN.

This European Standard shall be given the status of a national standard, either by publication of an identical text or by endorsement, at the latest by August 2013, and conflicting national standards shall be withdrawn at the latest by August 2013.

Attention is drawn to the possibility that some of the elements of this document may be the subject of patent rights. CEN [and/or CENELEC] shall not be held responsible for identifying any or all such patent rights.

According to the CEN-CENELEC Internal Regulations, the national standards organizations of the following countries are bound to implement this European Standard: Austria, Belgium, Bulgaria, Croatia, Cyprus, Czech Republic, Denmark, Estonia, Finland, Former Yugoslav Republic of Macedonia, France, Germany, Greece, Hungary, Iceland, Ireland, Italy, Latvia, Lithuania, Luxembourg, Malta, Netherlands, Norway, Poland, Portugal, Romania, Slovakia, Slovenia, Spain, Sweden, Switzerland, Turkey and the United Kingdom.

### Endorsement notice

The text of ISO 13078:2013 has been approved by CEN as EN ISO 13078:2013 without any modification.

## Foreword

ISO (the International Organization for Standardization) is a worldwide federation of national standards bodies (ISO member bodies). The work of preparing International Standards is normally carried out through ISO technical committees. Each member body interested in a subject for which a technical committee has been established has the right to be represented on that committee. International organizations, governmental and non-governmental, in liaison with ISO, also take part in the work. ISO collaborates closely with the International Electrotechnical Commission (IEC) on all matters of electrotechnical standardization.

International Standards are drafted in accordance with the rules given in the ISO/IEC Directives, Part 2.

The main task of technical committees is to prepare International Standards. Draft International Standards adopted by the technical committees are circulated to the member bodies for voting. Publication as an International Standard requires approval by at least 75 % of the member bodies casting a vote.

Attention is drawn to the possibility that some of the elements of this document may be the subject of patent rights. ISO shall not be held responsible for identifying any or all such patent rights.

ISO 13078 was prepared by Technical Committee ISO/TC 106, *Dentistry*, Subcommittee SC 2, *Prosthetic materials*.

## Introduction

Dental furnaces are suitable for the manufacturing of metal-ceramic and all-ceramic restorations for use in dentistry. Dental furnaces are particularly used for firing or sintering, respectively, of dental opaques, dentine and enamel materials to the respective compatible substructure materials. Dental furnaces are also used for other applications such as oxidizing metallic substructures in preparation for porcelain firing, for melting pressable ceramics, for stain and glaze firing, etc. According to the current state of the art, the temperature of this process lies between 600 °C and 1 050 °C.

The firing result obtained is influenced by the accuracy of the actual temperature, which may be influenced by the different calibration processes applied by the manufacturers of dental furnaces as well as by the varying construction types of the dental furnaces currently on the market.

Despite the fact that different dental furnaces can have identical digital external displays, different results regarding the degree of firing can be identified when processing the same ceramics under otherwise similar conditions.

A different degree of firing does not only cause differences that can be judged directly by the human eye (e. g. colour and transparency), but also deviations that cannot be detected by eye. These are for instance the coefficient of thermal expansion, strength, and solubility of the dental opaque, dentine or enamel materials, and the bonding strength to its substructure. Such changes may result in clinical failures (e. g. fractures) as well as discoloration and changed aesthetics of the dental ceramic restoration.

This International Standard levels the currently existing differences between the final calibration of the dental furnaces based on the factory of origin through a final adjustment (that has to be carried out by all manufacturers in an identical way) of the temperature control in the firing chamber by means of a thermocouple at e.g. 800 °C.

Alternatively, the verification of the process can be carried out using the thermocouple at 700 °C or 900 °C.

# Dentistry — Dental furnace — Test method for temperature measurement with separate thermocouple

## 1 Scope

This International Standard specifies a test method for the calibration of dental furnaces that are suitable for the heat treatment of silica-based dental ceramic restorations in the temperature range between 600 °C and 1 050 °C. This International Standard does not include furnaces intended to sinter zirconium oxide-frameworks (in the temperature range of 1 350°C or higher).

## 2 Normative references

The following referenced documents are indispensable for the application of this document. For dated references, only the edition cited applies. For undated references, the latest edition of the referenced document (including any amendments) applies.

ISO 1942, *Dentistry — Vocabulary*

ISO 6872, *Dentistry — Ceramic materials*

IEC 60584-1, *Thermocouples — Part 1: Reference tables*

IEC 60584-2, *Thermocouples — Part 2: Tolerances*

IEC 60584-3, *Thermocouples — Part 3: Extension and compensating cables — Tolerances and identification system*

## 3 Terms and definitions

For the purposes of this document, the terms and definitions given in ISO 1942, ISO 6872 and IEC 60584-1 and the following apply.

### 3.1

#### **dental furnace**

furnace in the firing chamber in which dental materials are treated thermally (i.e. fired or sintered, oxidized)

### 3.2

#### **heating rate**

rate of temperature increase

NOTE The heating rate is expressed in degrees Celsius per minute (°C/min).

### 3.3

#### **holding time**

period of time over which the desired temperature of the dental furnace is maintained until the time prescribed by the manufacturer, starting when the display of the dental furnace shows that the set test temperature has been achieved and the furnace temperature has stabilized

## 4 Test method

### 4.1 Test equipment and test products

**4.1.1 Test fixture** that positions the thermocouple in accordance with Figure 1. An example is:

- 1) type: honeycomb tray of cordierite; colour: light;

- 2) thickness:  $(11 \pm 1)$  mm;
- 3) diameter:  $(60 \pm 6)$  mm.

NOTE Any firing tray capable of enabling a thermocouple positioning according to Figure 1 may be used.

#### 4.1.2 Dental furnace;

#### 4.1.3 Thermocouple with, for example, the following specifications:

- 1) thermocouple platinum-10 % rhodium/platinum (Type S) in accordance with IEC 60584-1, with a tolerance of the thermoelectric voltage of class 1 in accordance with IEC 60584-2;
- 2) diameter of the legs: 0,5 mm in accordance with DIN 43732, Type C;
- 3) diameter of the head:  $(1,5 \pm 0,5)$  mm.

NOTE Any thermocouple appropriately calibrated and adjusted for the given temperature-range (up to 1 050 °C) may be used.

**4.1.4 Compensating cable for the thermocouple** with a tolerance of the compensating cable of class 2 in accordance with IEC 60584-3. The cold junction voltage shall be compensated by the measuring device.

**4.1.5 Temperature indicating device**, certified or calibrated to be accurate to  $\pm 1,2$  °C between 400 °C and 1 050 °C (e. g. HP data logger or Ezecal)<sup>1)</sup>.

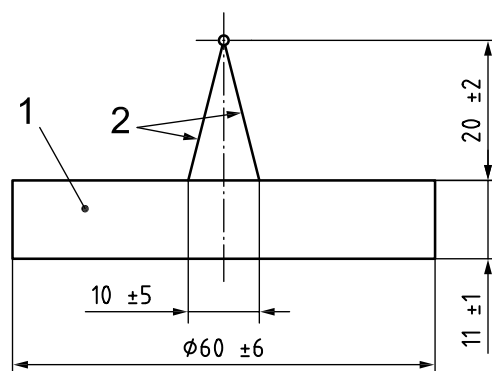
## 4.2 Procedure

### 4.2.1 Positioning of the thermocouple

The thermocouple is placed in the firing chamber of the dental furnace centrally with the thermocouple head located at a height of  $(20 \pm 2)$  mm above the test fixture (see Figure 1). The distance between the thermocouple wires on the surface of the test fixture is  $(10 \pm 5)$  mm.

The firing tray is fixed centrally in the firing chamber of the dental furnace.

Dimensions in millimetres



#### Key

- 1 firing tray (honeycomb tray)
- 2 thermocouple wires

**Figure 1 — Positioning of the thermocouple on the firing tray**

1) HP data logger and Ezecal are examples of suitable commercially available products. This information is given for the convenience of the users of this standard only and does not constitute an endorsement of these products by ISO.



#### 4.2.2 Heating phase and stand-by temperature

Prior to starting the adjustment, ensure that the dental furnace is operable.

NOTE For this purpose, generally, at the beginning the dental furnace is heated up in accordance with the manufacturer's information (this takes place partly automatically) and cooled down to stand-by temperature (e. g. 500 °C). It may be necessary to repeat this cycle several times.

The heating rate during the heating phase is 60 °C/min ( $\pm 5$  °C). Regular atmosphere is required (no reduced pressure or vacuum).

#### 4.2.3 Test temperature

The equipment shall be brought to the test temperature: e.g. 800 °C.

#### 4.2.4 Holding time

The holding time starts when the display of the dental furnace shows that the set test temperature has been achieved and the furnace temperature has stabilized; the holding time is 1 min.

#### 4.2.5 Adjustment procedure

At the end of the holding time, the temperature value determined by the external thermocouple is read off and recorded and (if required) the set point temperature of the dental furnace is adjusted to achieve the test temperature.

#### 4.2.6 Verification

This adjustment procedure shall be repeated three times and the deviation between the readings of the furnace display and external thermocouple shall be recorded before every adjustment.

### 5 Test report

The test report shall contain the following information:

- a) model of the dental furnace;
- b) serial number;
- c) test equipment;
- d) protocols including a nominal/actual value comparison at the test temperature as well as the documentation of the relevant measures (adjustment);
- e) the deviation measured in the verification measurement according to 4.2.6;
- f) any parameters specified in this International Standard (heating rate, requirements for the measuring apparatus, type of the thermocouple used, etc.) should be part of the pre-printed form of the test protocol;
- g) date of test;
- h) name of testing laboratory or test technician identifier when conducting calibration as part of the quality control process.

## Bibliography

- [1] ISO 9693-1, *Dentistry — Compatibility testing — Part 1: Metal-ceramic systems*<sup>2)</sup>
- [2] ISO 22112, *Dentistry — Artificial teeth for dental prostheses*
- [3] DIN 43732, *Measurement and control — Electrical temperature sensors — Thermocouples for thermocouple thermometers*

---

2) Replaces ISO 9693:1999.







# British Standards Institution (BSI)

BSI is the national body responsible for preparing British Standards and other standards-related publications, information and services.

BSI is incorporated by Royal Charter. British Standards and other standardization products are published by BSI Standards Limited.

## About us

We bring together business, industry, government, consumers, innovators and others to shape their combined experience and expertise into standards-based solutions.

The knowledge embodied in our standards has been carefully assembled in a dependable format and refined through our open consultation process. Organizations of all sizes and across all sectors choose standards to help them achieve their goals.

## Information on standards

We can provide you with the knowledge that your organization needs to succeed. Find out more about British Standards by visiting our website at [bsigroup.com/standards](http://bsigroup.com/standards) or contacting our Customer Services team or Knowledge Centre.

## Buying standards

You can buy and download PDF versions of BSI publications, including British and adopted European and international standards, through our website at [bsigroup.com/shop](http://bsigroup.com/shop), where hard copies can also be purchased.

If you need international and foreign standards from other Standards Development Organizations, hard copies can be ordered from our Customer Services team.

## Subscriptions

Our range of subscription services are designed to make using standards easier for you. For further information on our subscription products go to [bsigroup.com/subscriptions](http://bsigroup.com/subscriptions).

With **British Standards Online (BSOL)** you'll have instant access to over 55,000 British and adopted European and international standards from your desktop. It's available 24/7 and is refreshed daily so you'll always be up to date.

You can keep in touch with standards developments and receive substantial discounts on the purchase price of standards, both in single copy and subscription format, by becoming a **BSI Subscribing Member**.

**PLUS** is an updating service exclusive to BSI Subscribing Members. You will automatically receive the latest hard copy of your standards when they're revised or replaced.

To find out more about becoming a BSI Subscribing Member and the benefits of membership, please visit [bsigroup.com/shop](http://bsigroup.com/shop).

With a **Multi-User Network Licence (MUNL)** you are able to host standards publications on your intranet. Licences can cover as few or as many users as you wish. With updates supplied as soon as they're available, you can be sure your documentation is current. For further information, email [bsmusales@bsigroup.com](mailto:bsmusales@bsigroup.com).

## BSI Group Headquarters

389 Chiswick High Road London W4 4AL UK

## Revisions

Our British Standards and other publications are updated by amendment or revision.

We continually improve the quality of our products and services to benefit your business. If you find an inaccuracy or ambiguity within a British Standard or other BSI publication please inform the Knowledge Centre.

## Copyright

All the data, software and documentation set out in all British Standards and other BSI publications are the property of and copyrighted by BSI, or some person or entity that owns copyright in the information used (such as the international standardization bodies) and has formally licensed such information to BSI for commercial publication and use. Except as permitted under the Copyright, Designs and Patents Act 1988 no extract may be reproduced, stored in a retrieval system or transmitted in any form or by any means – electronic, photocopying, recording or otherwise – without prior written permission from BSI. Details and advice can be obtained from the Copyright & Licensing Department.

## Useful Contacts:

### Customer Services

**Tel:** +44 845 086 9001

**Email (orders):** [orders@bsigroup.com](mailto:orders@bsigroup.com)

**Email (enquiries):** [cservices@bsigroup.com](mailto:cservices@bsigroup.com)

### Subscriptions

**Tel:** +44 845 086 9001

**Email:** [subscriptions@bsigroup.com](mailto:subscriptions@bsigroup.com)

### Knowledge Centre

**Tel:** +44 20 8996 7004

**Email:** [knowledgecentre@bsigroup.com](mailto:knowledgecentre@bsigroup.com)

### Copyright & Licensing

**Tel:** +44 20 8996 7070

**Email:** [copyright@bsigroup.com](mailto:copyright@bsigroup.com)



...making excellence a habit.™