

Ophthalmic optics — Contact lenses — Determination of scattered light

The European Standard EN ISO 12864:1997 has the status of a British Standard

ICS 11.040.70

National foreword

This British Standard is the English language version of EN ISO 12864:1997. It is identical with ISO 12864:1997.

The UK participation in its preparation was entrusted by Technical Committee CH/78, Ophthalmic optics, to Subcommittee CH/78/4, Physical properties of contact lenses, which has the responsibility to:

- aid enquirers to understand the text;
- present to the responsible international/European committee any enquiries on the interpretation, or proposals for change, and keep the UK interests informed;
- monitor related international and European developments and promulgate them in the UK.

A list of organizations represented on this subcommittee can be obtained on request to its secretary.

Cross-references

Attention is drawn to the fact that CEN and CENELEC Standards normally include an annex which lists normative references to international publications with their corresponding European publications. The British Standards which implement international or European publications referred to in this document may be found in the BSI Standards Catalogue under the section entitled "International Standards Correspondence Index", or by using the "Find" facility of the BSI Standards Electronic Catalogue.

Textual error

The textual error set out below was identified when the English language version of EN ISO 12864:1997 was adopted as the national standard. It has been reported to CEN in a proposal to amend the text of the European Standard.

In 3.1, line 1, the text should be enclosed by parentheses ().

A British Standard does not purport to include all the necessary provisions of a contract. Users of British Standards are responsible for their correct application.

Compliance with a British Standard does not of itself confer immunity from legal obligations.

Summary of pages

This document comprises a front cover, an inside front cover, the EN ISO title page, the EN ISO foreword page, the ISO title page, pages ii and iii, a blank page, pages 1 to 4, the annex ZA page and a back cover.

Amendments issued since publication

Amd. No.	Date	Text affected

This British Standard, having been prepared under the direction of the Health and Environment Sector Board, was published under the authority of the Standards Board and comes into effect on 15 September 1998

© BSI 1998

ISBN 0 580 302265 2

ICS 11.040.70

Descriptors: see ISO document

English version

Ophthalmic optics - Contact lenses - Determination of scattered
light (ISO 12864:1997)

Optique ophtalmique - Lentilles de contact - Détermination
de la lumière diffusée (ISO 12864:1997)

Augenoptik - Kontaktlinsen - Bestimmung des Streulichts
(ISO 12864:1997)

This European Standard was approved by CEN on 30 November 1997.

CEN members are bound to comply with the CEN/CENELEC Internal Regulations which stipulate the conditions for giving this European Standard the status of a national standard without any alteration. Up-to-date lists and bibliographical references concerning such national standards may be obtained on application to the Central Secretariat or to any CEN member.

This European Standard exists in three official versions (English, French, German). A version in any other language made by translation under the responsibility of a CEN member into its own language and notified to the Central Secretariat has the same status as the official versions.

CEN members are the national standards bodies of Austria, Belgium, Czech Republic, Denmark, Finland, France, Germany, Greece, Iceland, Ireland, Italy, Luxembourg, Netherlands, Norway, Portugal, Spain, Sweden, Switzerland and United Kingdom.



EUROPEAN COMMITTEE FOR STANDARDIZATION
COMITÉ EUROPÉEN DE NORMALISATION
EUROPÄISCHES KOMITEE FÜR NORMUNG

Central Secretariat: rue de Stassart, 36 B-1050 Brussels

CORRECTED 1998-01-15

Foreword

The text of the International Standard ISO 12864:1997 has been prepared by Technical Committee ISO/TC 172 "Optics and optical instruments" in collaboration with Technical Committee CEN/TC 170 "Ophthalmic optics", the secretariat of which is held by DIN.

This European Standard shall be given the status of a national standard, either by publication of an identical text or by endorsement, at the latest by June 1998, and conflicting national standards shall be withdrawn at the latest by June 1998.

According to the CEN/CENELEC Internal Regulations, the national standards organizations of the following countries are bound to implement this European Standard: Austria, Belgium, Czech Republic, Denmark, Finland, France, Germany, Greece, Iceland, Ireland, Italy, Luxembourg, Netherlands, Norway, Portugal, Spain, Sweden, Switzerland and the United Kingdom.

Endorsement notice

The text of the International Standard ISO 12864:1997 was approved by CEN as a European Standard without any modification.

NOTE:A-deviations are given in Annex ZA (informative).

INTERNATIONAL
STANDARD

ISO
12864

First edition
1997-12-15

**Ophthalmic optics — Contact lenses —
Determination of scattered light**

*Optique ophtalmique — Lentilles de contact — Détermination de la lumière
diffusée*



Reference number
ISO 12864:1997(E)

* S *

Foreword

ISO (the International Organization for Standardization) is a worldwide federation of national standards bodies (ISO member bodies). The work of preparing International Standards is normally carried out through ISO technical committees. Each member body interested in a subject for which a technical committee has been established has the right to be represented on that committee. International organizations, governmental and non-governmental, in liaison with ISO, also take part in the work. ISO collaborates closely with the International Electrotechnical Commission (IEC) on all matters of electrotechnical standardization.

Draft International Standards adopted by the technical committees are circulated to the member bodies for voting. Publication as an International Standard requires approval by at least 75 % of the member bodies casting a vote.

International Standard ISO 12864 was prepared by ISO/TC 172 *Optics and optical instruments*, Subcommittee SC 7 *Ophthalmic optics and instruments*.

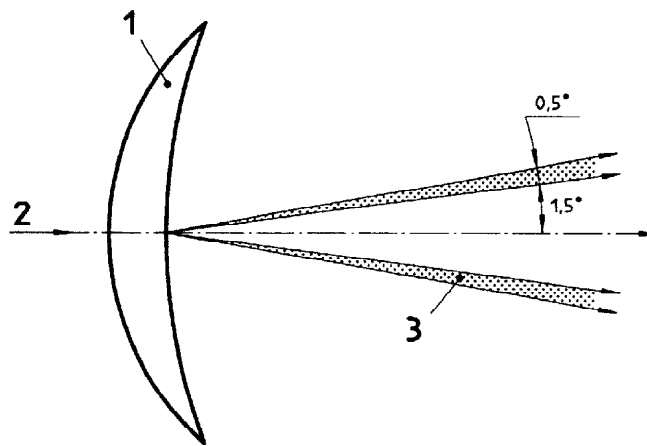
© ISO 1997

All rights reserved. Unless otherwise specified, no part of this publication may be reproduced or utilized in any form or by any means, electronic or mechanical, including photocopying and microfilm, without permission in writing from the publisher.

International Organization for Standardization
Case postale 56 • CH-1211 Genève 20 • Switzerland
Internet central@iso.ch
X.400 c=ch; a=400net; p=iso; o=isocs; s=central

Introduction

If light is scattered significantly when passing through a contact lens (CL), contrast is reduced and the visual performance of the wearer is impaired. In this case, the light which is scattered at a large angle to the direction of radiation is generally less disturbing than light which is scattered at small angles. In particular, light scattered at small angles may cause problems for drivers when the sun is low in the sky, when it reflects off wet roads and at night with oncoming traffic. Therefore it is desirable to minimize the small-angle scattering of contact lenses (see figure 1).



- 1 CL
- 2 Optical axis
- 3 Scattered light

Figure 1 — Small-angle scattering of a contact lens



S

Ophthalmic optics — Contact lenses — Determination of scattered light

1 Scope

This International Standard describes a method for the determination of the scattering of light by contact lenses. The test method described is given as a reference method.

The existence of this International Standard does not imply in any way that the testing of contact lenses for light scatter is a requirement.

2 Normative references

The following standards contain provisions which, through reference in this text, constitute provisions of this International Standard. At the time of publication, the editions indicated were valid. All standards are subject to revision, and parties to agreements based on this International Standard are encouraged to investigate the possibility of applying the most recent editions of the standards indicated below. Members of IEC and ISO maintain registers of currently valid International Standards.

ISO 8320:1986, *Optics and optical instruments - Contact lenses - Vocabulary and symbols*

ISO 10344:1996, *Optics and optical instruments - Contact lenses - Saline solution for contact lens testing*

3 Definitions

For the purposes of this International Standard, the definitions given in ISO 8320 apply, together with the following.

3.1 luminance factor, l

<at a surface element of a non-self-radiating medium, in a given direction under specified conditions of illumination>
Ratio of the luminance of the surface element in the given direction (the scattered light, L_s) to that of a perfect reflecting or transmitting diffuser identically illuminated (here taken to be the illuminance, E).

NOTE The luminance factor is expressed using equation (1):

$$l = \frac{L_s}{E} \quad \text{in} \quad \frac{\text{cd/m}^2}{\text{lx}} \quad (1)$$

3.2 reduced luminance factor, l^*

Ratio of the luminance factor, l , to the transmittance, τ .

NOTE The reduced luminance factor, which is the luminance factor expressed so as not to depend on the transmittance of the contact lens, is obtained using equation (2):

$$l^* = \frac{l}{\tau} = \frac{L_s}{E \cdot \tau} \quad \text{in} \quad \frac{\text{cd/m}^2}{\text{lx}} \quad (2)$$

4 Principle

The beam from a He-Ne laser is diverged (using the two lenses L_1 and L_2) onto the centre of the contact lens. The beam is deflected according to any inherent prismatic effect at this point. A cone of scattered light is formed around the deflected beam. The sensor S is conjugate with the centre of the lens. S , L_3 and D_1 / D_2 lie along the deflected beam. Apertures D_1 , D_2 are subsequently used to assess the scattered light of the cuvette with and without the contact lens.

5 Apparatus

The test arrangement is shown in figure 2.

Using two lenses L_1 and L_2 , the beam from a He-Ne laser is extended onto the centre of the contact lens, these two lenses constituting an afocal system. The contact lens is mounted so that it can be rotated around the optical axis of the laser beam and so that the centre of the contact lens lies on the axis of rotation. The part of the test assembly consisting of the diaphragms D_1 or D_2 , the lens L_3 and the sensor S is constructed so that it can pivot. The axis of pivoting passes through the centre of the contact lens.

This ensures that, whatever the prismatic effect of the contact lens at the point of measurement, the deflected central beam always runs parallel to the optical axis of the assembly, within the pivoting range. Since the contact lens itself is mounted so that it can be rotated around the optical axis, the prismatic deflection can always be arranged so that it lies within the plane of the pivoting movement.

NOTE The capacity to rotate the contact lens and to pivot the sensor arm is generally not necessary for testing a contact lens of nominal plano power.

6 Procedure

6.1 Calibration of the apparatus

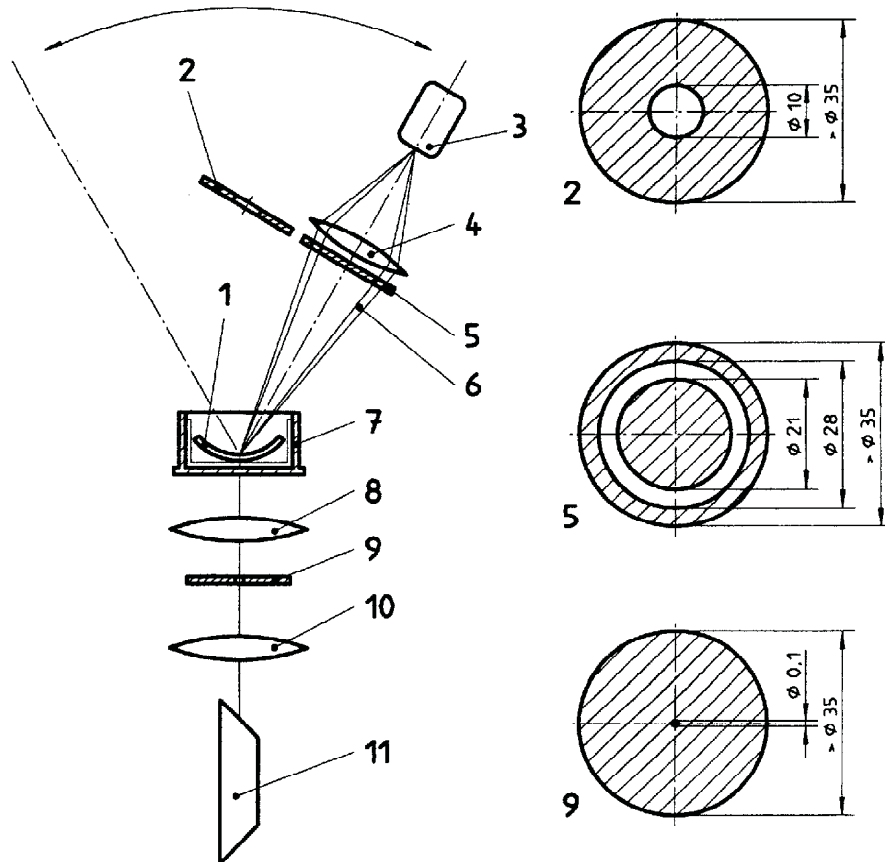
Set up the apparatus, the essential features of which are shown in figure 2, with the cuvette filled with saline solution conforming to ISO 10344 but with the contact lens absent. Arrange the sensor S , lens L_3 and the diaphragm D_1 so that they all move in the same plane and are positioned to record the maximum intensity (that is, all lie on the axis of the laser beam).

Measure the flux Φ_{1CU} falling onto the sensor S , corresponding to the light passing directly through the cuvette filled with saline solution. Replace the circular diaphragm D_1 by the annular diaphragm D_2 . Measure the flux Φ_{2CU} falling onto the sensor S , corresponding to the scattered transmitted light. Calculate ω , the solid angle defined by the annular diaphragm.

Obtain the reduced luminance factor I_{CU}^* for the apparatus and the cuvette filled with saline solution for the solid angle ω using equation (3):

$$I_{CU}^* = \frac{\Phi_{2CU}}{\omega \cdot \Phi_{1CU}} \quad (3)$$

Dimensions in millimetres



- 1 CL: Contact lens
- 2, 5 D_1, D_2 Diaphragms as specified in the drawings, located 400 mm from the centre of the contact lens.
- 3 S: Radiation sensor
- 4 L_3 : Lens of approximately 5 D, diameter approximately 30 mm
- 6 Scattered light
- 7 CU: Cuvette for holding the contact lens
- 8 L_2 : Lens of 30 D
- 9 D_3 : Diaphragm with a circular hole approximately 0,1 mm in diameter.
- 10 L_1 : Lens of 100 D
- 11 Laser: He-Ne laser (cw; 632,8 nm; ≤ 1 mW)

NOTE 1 The vertex powers of the lenses are only given as indications. They can be selected differently, if for instance greater beam spread is desired or a reduced image of the test piece is to be shown on the radiation sensor.

NOTE 2 A class 2 laser (see IEC 60825-1¹⁾) with a beam diameter between 0,6 mm and 1 mm is recommended.

Figure 2 — Arrangement of apparatus for measurement of scattered light

1) IEC 60825-1:1993, *Safety of laser products - Part 1: Equipment classification, requirements and user's guide.*

6.2 Testing a contact lens

Fill the cuvette with saline solution conforming to ISO 10344 and mount the contact lens under test in the cuvette. Rotate the cuvette with the contact lens so that the deflected beam is in a known plane. Arrange the sensor S, lens L₃ and the diaphragm D₁ so that they all move in the same plane and are positioned to record the maximum intensity (that is, all lie on the axis of the deflected beams).

Measure the flux Φ_{1CL} falling onto the sensor S, corresponding to the light passing directly through the contact lens in the cuvette filled with saline solution. Replace the circular diaphragm D₁ by the annular diaphragm D₂. Measure the flux Φ_{2CL} falling onto the sensor S, corresponding to the scattered transmitted light for the solid angle ω defined by the annular diaphragm.

Obtain the reduced luminance factor l_{tot}^* for the apparatus and the contact lens in the cuvette filled with saline solution for the solid angle ω using equation (4):

$$l_{tot}^* = \frac{\Phi_{2CL}}{\omega \cdot \Phi_{1CL}} \quad (4)$$

6.3 Calculation of result

Calculate the reduced luminance coefficient of the contact lens using equation (5):

$$l_{CL}^* = l_{tot}^* - l_{CU}^* \quad (5)$$

7 Test report

The test report shall contain at least the following information:

- a) a reference to this International Standard, i.e. ISO 12864;
- b) the identification of the contact lens tested;
- c) the reduced luminance coefficient of the contact lens l_{CL}^* ;
- d) the date of examination.

ANNEX ZA (informative)

A-deviations

A-deviation: National deviation due to regulations, the alteration of which is for the time being outside the competence of the CEN/CENELEC member.

This European Standard does not fall under any Directive of the EC. In the relevant CEN/CENELEC countries these A-deviations are valid instead of the provisions of the European Standard until they have been removed.

The legislative situation in Germany requires the unit "dioptré" be designated by the symbol "dpt" instead of "D".

This is to avoid conflict with the rules of ISO 1000 being the basic International Standard on symbols and units and with the respective basic resolution of the CGPM (International Conference on Weights and Measures).

Identification of the regulation:

Gesetz über die Einheiten im Meßwesen vom 02.07.1969 in der Fassung der Bekanntmachung vom 22.04.1985; and

Ausführungsverordnung zum Gesetz über Einheiten im Meßwesen (Einheitenverordnung - EinhV) vom 13.12.1985, § 1 und Anlage 1, Nr. 9



BSI — British Standards Institution

BSI is the independent national body responsible for preparing British Standards. It presents the UK view on standards in Europe and at the international level. It is incorporated by Royal Charter.

Revisions

British Standards are updated by amendment or revision. Users of British Standards should make sure that they possess the latest amendments or editions.

It is the constant aim of BSI to improve the quality of our products and services. We would be grateful if anyone finding an inaccuracy or ambiguity while using this British Standard would inform the Secretary of the technical committee responsible, the identity of which can be found on the inside front cover. Tel: 0181 996 9000. Fax: 0181 996 7400.

BSI offers members an individual updating service called PLUS which ensures that subscribers automatically receive the latest editions of standards.

Buying standards

Orders for all BSI, international and foreign standards publications should be addressed to Customer Services. Tel: 0181 996 7000. Fax: 0181 996 7001.

In response to orders for international standards, it is BSI policy to supply the BSI implementation of those that have been published as British Standards, unless otherwise requested.

Information on standards

BSI provides a wide range of information on national, European and international standards through its Library and its Technical Help to Exporters Service. Various BSI electronic information services are also available which give details on all its products and services. Contact the Information Centre. Tel: 0181 996 7111. Fax: 0181 996 7048.

Subscribing members of BSI are kept up to date with standards developments and receive substantial discounts on the purchase price of standards. For details of these and other benefits contact Membership Administration. Tel: 0181 996 7002. Fax: 0181 996 7001.

Copyright

Copyright subsists in all BSI publications. BSI also holds the copyright, in the UK, of the publications of the international standardization bodies. Except as permitted under the Copyright, Designs and Patents Act 1988 no extract may be reproduced, stored in a retrieval system or transmitted in any form or by any means – electronic, photocopying, recording or otherwise – without prior written permission from BSI.

This does not preclude the free use, in the course of implementing the standard, of necessary details such as symbols, and size, type or grade designations. If these details are to be used for any other purpose than implementation then the prior written permission of BSI must be obtained.

If permission is granted, the terms may include royalty payments or a licensing agreement. Details and advice can be obtained from the Copyright Manager. Tel: 0181 996 7070.