

BS EN ISO 12625-8:2010



BSI Standards Publication

## Tissue paper and tissue products

Part 8: Water-absorption time and water-absorption capacity, basket-immersion test method (ISO 12625-8:2010)

**bsi.**

...making excellence a habit.™

**National foreword**

This British Standard is the UK implementation of EN ISO 12625-8:2010. It supersedes BS EN ISO 12625-8:2006 which is withdrawn.

The UK participation in its preparation was entrusted to Technical Committee PAI/11, Methods of test for paper, board and pulps.

A list of organizations represented on this committee can be obtained on request to its secretary.

This publication does not purport to include all the necessary provisions of a contract. Users are responsible for its correct application.

© BSI 2011

ISBN 978 0 580 67475 4

ICS 85.060; 85.080.20

**Compliance with a British Standard cannot confer immunity from legal obligations.**

This British Standard was published under the authority of the Standards Policy and Strategy Committee on 31 January 2011.

**Amendments issued since publication**

Date	Text affected
------	---------------

---

English Version

## Tissue paper and tissue products - Part 8: Water-absorption time and water-absorption capacity, basket-immersion test method (ISO 12625-8:2010)

Papier tissue et produits tissues - Partie 8: Temps d'absorption d'eau et capacité d'absorption d'eau, méthode d'essai d'immersion au panier (ISO 12625-8:2010)

Tissue-Papier und Tissue-Produkte - Teil 8: Zeit für die Wasseraufnahme und Wasseraufnahmekapazität, Korbintauch-Prüfverfahren (ISO 12625-8:2010)

This European Standard was approved by CEN on 14 December 2010.

CEN members are bound to comply with the CEN/CENELEC Internal Regulations which stipulate the conditions for giving this European Standard the status of a national standard without any alteration. Up-to-date lists and bibliographical references concerning such national standards may be obtained on application to the CEN-CENELEC Management Centre or to any CEN member.

This European Standard exists in three official versions (English, French, German). A version in any other language made by translation under the responsibility of a CEN member into its own language and notified to the CEN-CENELEC Management Centre has the same status as the official versions.

CEN members are the national standards bodies of Austria, Belgium, Bulgaria, Croatia, Cyprus, Czech Republic, Denmark, Estonia, Finland, France, Germany, Greece, Hungary, Iceland, Ireland, Italy, Latvia, Lithuania, Luxembourg, Malta, Netherlands, Norway, Poland, Portugal, Romania, Slovakia, Slovenia, Spain, Sweden, Switzerland and United Kingdom.



EUROPEAN COMMITTEE FOR STANDARDIZATION  
COMITÉ EUROPÉEN DE NORMALISATION  
EUROPÄISCHES KOMITEE FÜR NORMUNG

**Management Centre: Avenue Marnix 17, B-1000 Brussels**

## Foreword

This document (EN ISO 12625-8:2010) has been prepared by Technical Committee CEN/TC 172 “Pulp, paper and board”, the secretariat of which is held by DIN, in collaboration with Technical Committee ISO/TC 6 “Paper, board and pulps”.

This European Standard shall be given the status of a national standard, either by publication of an identical text or by endorsement, at the latest by June 2011, and conflicting national standards shall be withdrawn at the latest by June 2011.

Attention is drawn to the possibility that some of the elements of this document may be the subject of patent rights. CEN [and/or CENELEC] shall not be held responsible for identifying any or all such patent rights.

This document supersedes EN ISO 12625-8:2006.

According to the CEN/CENELEC Internal Regulations, the national standards organizations of the following countries are bound to implement this European Standard: Austria, Belgium, Bulgaria, Croatia, Cyprus, Czech Republic, Denmark, Estonia, Finland, France, Germany, Greece, Hungary, Iceland, Ireland, Italy, Latvia, Lithuania, Luxembourg, Malta, Netherlands, Norway, Poland, Portugal, Romania, Slovakia, Slovenia, Spain, Sweden, Switzerland and the United Kingdom.

## Foreword

ISO (the International Organization for Standardization) is a worldwide federation of national standards bodies (ISO member bodies). The work of preparing International Standards is normally carried out through ISO technical committees. Each member body interested in a subject for which a technical committee has been established has the right to be represented on that committee. International organizations, governmental and non-governmental, in liaison with ISO, also take part in the work. ISO collaborates closely with the International Electrotechnical Commission (IEC) on all matters of electrotechnical standardization.

International Standards are drafted in accordance with the rules given in the ISO/IEC Directives, Part 2.

The main task of technical committees is to prepare International Standards. Draft International Standards adopted by the technical committees are circulated to the member bodies for voting. Publication as an International Standard requires approval by at least 75 % of the member bodies casting a vote.

Attention is drawn to the possibility that some of the elements of this document may be the subject of patent rights. ISO shall not be held responsible for identifying any or all such patent rights.

ISO 12625-8 was prepared by the European Committee for Standardization (CEN) Technical Committee CEN/TC 172, *Pulp, paper and board*, in collaboration with Technical Committee ISO/TC 6, *Paper, board and pulps*, Subcommittee SC 2, *Test methods and quality specifications for paper and board*, in accordance with the Agreement on technical cooperation between ISO and CEN (Vienna Agreement).

This second edition cancels and replaces the first edition (ISO 12625-8:2006), which has been technically revised.

The essential change in this International Standard is the separation of the so-called “manual method” and the excluding of the “automated method”. For more details see the Introduction.

ISO 12625 consists of the following parts, under the general title *Tissue paper and tissue products*:

- *Part 1: General principles for the use of terms*
- *Part 3: Determination of thickness, bulking thickness and apparent bulk density*
- *Part 4: Determination of tensile strength, stretch at break and tensile energy absorption*
- *Part 5: Determination of wet tensile strength*
- *Part 6: Determination of grammage*
- *Part 7: Determination of optical properties — Measurement of brightness and colour*
- *Part 8: Water-absorption time and water-absorption capacity, basket-immersion test method*
- *Part 9: Determination of ball burst strength*
- *Part 12: Determination of tensile strength of perforated lines — Calculation of perforation efficiency*

## Introduction

This part of ISO 12625 describes one principle for the determination of water-absorption properties of tissue paper and tissue products, a principle in which sheets of the sample are inserted in a cylindrical basket, which is immersed in water. The results are expressed as

- water-absorption time, and
- water-absorption capacity.

In European and international trade, both water-absorption time and water-absorption capacity represent important parameters in the field of comparison of tissue products.

Both manual and automated methods exist, but the procedure described in this part of ISO 12625 refers to manual devices only. The reason is that precision results obtained with the different automatic methods included in an interlaboratory study were not acceptable compared with the results obtained using the manual testing method.

Nevertheless, automated test methods may be used, provided that they can be shown to give the same results as the manual method, in terms of average values and standard deviations.

# Tissue paper and tissue products —

## Part 8: Water-absorption time and water-absorption capacity, basket-immersion test method

### 1 Scope

This part of ISO 12625 specifies a basket-immersion test method for the determination of water-absorption time and water-absorption capacity of tissue paper and tissue products.

It is expressly stated that the detection of impurities and contraries in tissue paper and tissue products be applied according to ISO 15755.

For the determination of moisture content in tissue paper and tissue products, ISO 287 is applicable.

### 2 Normative references

The following referenced documents are indispensable for the application of this document. For dated references, only the edition cited applies. For undated references, the latest edition of the referenced document (including any amendments) applies.

ISO 186, *Paper and board — Sampling to determine average quality*

ISO 187, *Paper, board and pulps — Standard atmosphere for conditioning and testing and procedure for monitoring the atmosphere and conditioning of samples*

ISO 14487, *Pulps — Standard water for physical testing*

### 3 Terms and definitions

For the purposes of this document, the following terms and definitions apply.

#### 3.1

##### **absorption time**

time required for complete wetting of a sample

#### 3.2

##### **water-absorption capacity**

mass of water that is absorbed per unit mass of the test piece under specified conditions

### 4 Principle

A test piece of the tissue paper or a tissue product is placed in a cylindrical basket and allowed to immerse in water under its own weight.

The time required for complete wetting of the test piece is measured, the mass of water absorbed then being determined after a stated immersion time followed by a given draining time, under specified conditions.

## 5 Reagent

**5.1 Deionized water**, with a conductivity  $\leq 0,25$  mS/m at 25 °C, in accordance with ISO 14487. The water temperature should be maintained during the test at the temperature used for conditioning and testing. To avoid interference due to contamination of the water from previous test pieces, change the water after each series of tests.

## 6 Preparation and conditioning of the test pieces

### 6.1 Sampling

If the tests are being made to evaluate a lot, select the sample in accordance with ISO 186. When sampling finished roll products, eliminate at least the first six layers and the last six layers because of the possible presence of adhesive or mechanical damage.

If the tests are made on another type of sample, make sure that the test pieces taken are representative of the sample received.

### 6.2 Conditioning

Condition the test pieces in accordance with ISO 187.

### 6.3 Preparation of test pieces

From the sample, prepare five test pieces by cutting test pieces of  $(76 \pm 1)$  mm width and with the length in the machine direction sufficient for the mass of each test piece to be  $(5,0 \pm 0,2)$  g.

When preparing test pieces comprising a number of superimposed sheets, all individual sheets shall have the same face up.

If several sheets are cut at once, separate them before testing.

Record the mass of each test piece,  $m_0$ , in grams, to two decimal places.

Other test piece sizes could be agreed between the parties concerned. If another test piece size is used, the dimensions shall be reported in the test report.

## 7 Manual test method

### 7.1 Apparatus

**7.1.1 Water container**, large enough for the basket to be fully submerged when lying on its side (total volume of at least 3 l).

The container shall be filled with deionized water (5.1) to a depth of 100 mm.

**7.1.2 Draining equipment**, comprising a support which is adjusted so that the hanging cylindrical basket forms a  $(30 \pm 3)^\circ$  angle with the horizontal (see Figure 1).



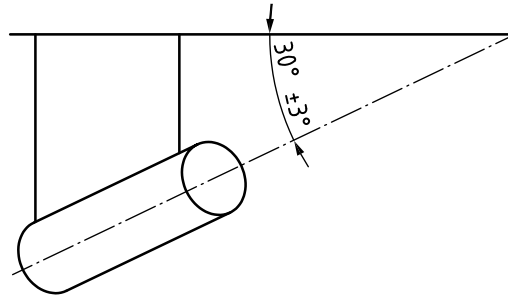


Figure 1 — Principle of drainage position

7.1.3 **Timer**, accurate to within  $\pm 0,01$  s within a range of 60 s.

7.1.4 **Balance**, with an accuracy of 0,001 g.

7.1.5 **Cylindrical basket**, having the dimensions shown in Figure 2, constructed from any non-corroding steel gauge wire of  $\varnothing 0,5$  mm to yield a total mass of  $(3,0 \pm 0,1)$  g.

Dimensions in millimetres

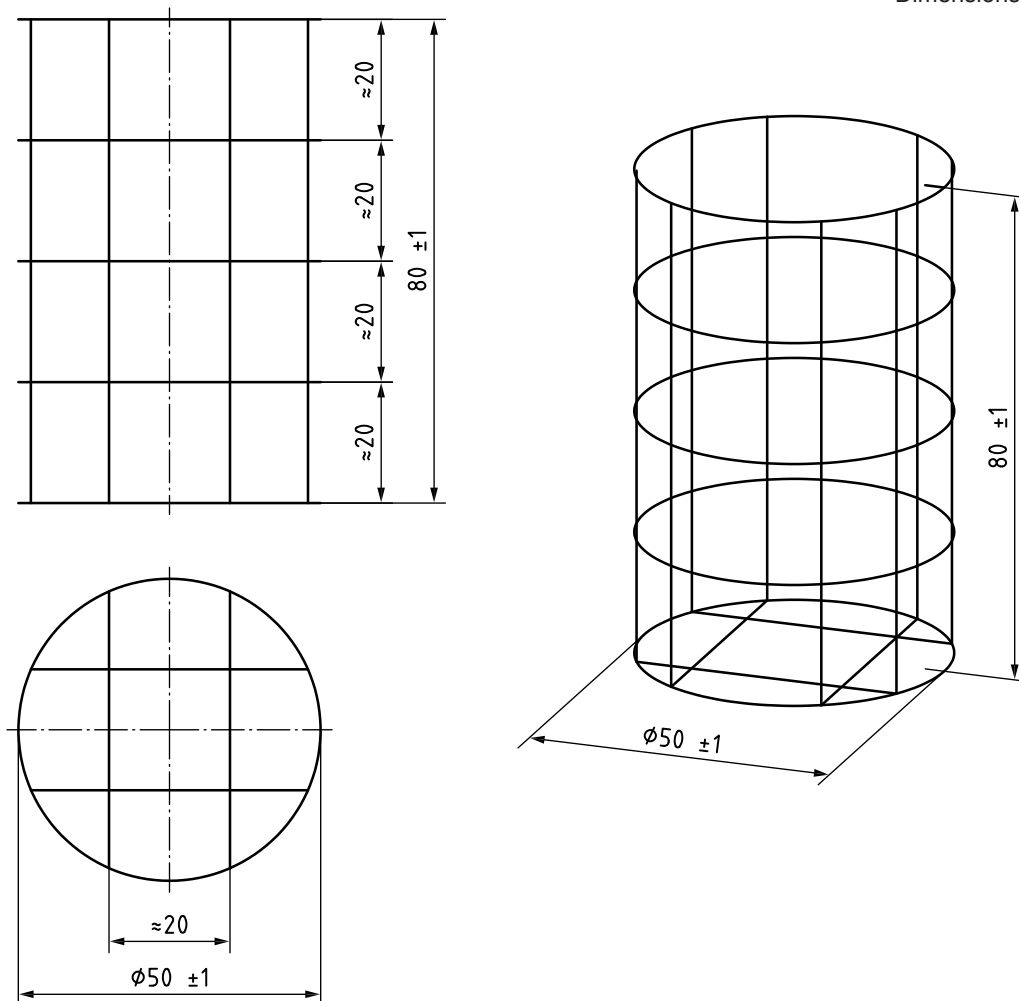


Figure 2 — Schematic drawing of the cylindrical basket

## 7.2 Procedure

7.2.1 Record the mass of the basket,  $m_b$ , in grams, to two decimal places.

7.2.2 Roll the test piece such that it matches the curvature of the cylindrical basket. Do not fold it. Place the weighted test piece in the cylindrical basket (7.1.5) so that it is loosely packed with its 76 mm edge parallel to the side of the basket.

7.2.3 Place the test piece in the cylindrical basket. Position the cylindrical basket at a distance of  $(25 \pm 5)$  mm from the water surface maintained in a horizontal position.

7.2.4 Maintaining the horizontal orientation, release the cylindrical basket into the water and simultaneously start the timer (7.1.3).

7.2.5 Observe the wetting of the test piece to determine the moment that complete wetting occurs.

7.2.6 Stop the timer and record the time required for complete wetting of the test piece.

7.2.7 After the exact moment that the complete wetting of the sample is achieved (see 7.2.6), allow the cylindrical basket and test piece to remain submerged in the water for a further  $(30 \pm 1)$  s.

NOTE One or two timers can be used to perform the measurements described in 7.2.6 and 7.2.7.

7.2.8 At the exact moment the 30 s immersion period of 7.2.7 is complete, remove the cylindrical basket from the water, keeping it in a horizontal position. Allow the timer to continue to run.

7.2.9 Hang the cylindrical basket containing the wetted test piece on the support (see 7.1.2) at the required  $30^\circ$  angle to the horizontal.

7.2.10 Allow the test piece to drain for a further  $(60 \pm 1)$  s.

7.2.11 Immediately weigh the cylindrical basket and test piece. Record the mass,  $m_n$ , in grams, to two decimal places.

7.2.12 Repeat the procedure with each of the remaining four test pieces.

7.2.13 Change the water after each series of five tests.

## 8 Calculation and expression of results

Calculate the mean water-absorption time, and the standard deviation of the five replicate tests, in seconds.

Report the water-absorption time, in seconds, to the nearest 0,1 s.

Calculate the water-absorption capacity,  $W_a$ , in grams of water per gram of each test piece, from Equation (1):

$$W_a = \frac{m_n - m_o - m_b}{m_o} \quad (1)$$

where

$m_n$  is the mass of the cylindrical basket and its contents after submersion and draining, in grams, to two decimal places;

$m_o$  is the dry mass of each test piece, in grams, to two decimal places;

$m_b$  is the mass of the cylindrical basket, in grams, to two decimal places.

Calculate the mean water-absorption capacity as the average of the five replicate tests, in grams of water per gram of the test piece.

## 9 Test report

The test report shall include the following information:

- a) a reference to this part of ISO 12625;
- b) the date and place of testing;
- c) conditioning atmosphere during the test, in accordance with ISO 187;
- d) all details necessary for the complete identification of the sample;
- e) dimensions of the test pieces (if different from those specified);
- f) mean water-absorption time and standard deviation;
- g) mean water-absorption capacity and standard deviation;
- h) any deviation from this part of ISO 12625 that may have affected the result.

## 10 Precision

### 10.1 General

In an interlaboratory study, 12 laboratories tested 10 tissue samples, in accordance with this part of ISO 12625. Reported data have been obtained with the manual method. The results are shown in Tables 1 and 2.

### 10.2 Reproducibility

The reproducibility is the variation between individual results, independently obtained by two operators, working in different laboratories, on the same material.

**Table 1 — Results of an interlaboratory test**

Sample	Mean water-absorption time	Standard deviation between laboratories	Reproducibility coefficient of variation	Reproducibility limit <sup>a</sup>
	s	s	%	s
A	3,2	0,2	6,3	0,6
B	25,6	3,5	13,7	9,7
C	2,6	0,2	7,7	0,6
D	7,9	0,4	5,1	1,1
E	3,8	0,3	7,9	0,8
F	4,7	0,5	10,6	1,4
Ga	10,1	1,2	11,9	3,3
Gb	6,8	0,7	10,3	1,9
H	4,8	0,6	12,5	1,7
I	3,8	0,3	7,9	0,8

<sup>a</sup> Agreement expected with 95 % probability,  $R = 1,96\sqrt{2} \times s$ .

Table 2 — Results of an interlaboratory test

Sample	Mean absorption capacity g/g	Standard deviation between laboratories <i>s</i> g/g	Reproducibility coefficient of variation %	Reproducibility limit <sup>a</sup> <i>R</i> g/g
A	7,6	0,2	2,6	0,7
B	5,6	0,3	5,4	0,8
C	11,2	0,4	3,6	1,1
D	9,2	0,6	6,5	1,7
E	17,3	0,5	2,9	1,4
F	7,1	0,5	7,0	1,4
Ga	7,8	0,4	5,1	1,1
Gb	7,6	0,2	2,6	0,6
H	7,1	0,3	4,2	0,8
I	8,3	0,4	4,8	1,1

<sup>a</sup> Agreement expected with 95 % probability,  $R = 1,96\sqrt{2} \times s$ .

## Bibliography

- [1] ISO 287, *Paper and board — Determination of moisture content of a lot — Oven-drying method*
- [2] ISO 15755, *Paper and board — Estimation of contraries*





# British Standards Institution (BSI)

BSI is the national body responsible for preparing British Standards and other standards-related publications, information and services.

BSI is incorporated by Royal Charter. British Standards and other standardization products are published by BSI Standards Limited.

## About us

We bring together business, industry, government, consumers, innovators and others to shape their combined experience and expertise into standards-based solutions.

The knowledge embodied in our standards has been carefully assembled in a dependable format and refined through our open consultation process. Organizations of all sizes and across all sectors choose standards to help them achieve their goals.

## Information on standards

We can provide you with the knowledge that your organization needs to succeed. Find out more about British Standards by visiting our website at [bsigroup.com/standards](http://bsigroup.com/standards) or contacting our Customer Services team or Knowledge Centre.

## Buying standards

You can buy and download PDF versions of BSI publications, including British and adopted European and international standards, through our website at [bsigroup.com/shop](http://bsigroup.com/shop), where hard copies can also be purchased.

If you need international and foreign standards from other Standards Development Organizations, hard copies can be ordered from our Customer Services team.

## Subscriptions

Our range of subscription services are designed to make using standards easier for you. For further information on our subscription products go to [bsigroup.com/subscriptions](http://bsigroup.com/subscriptions).

With **British Standards Online (BSOL)** you'll have instant access to over 55,000 British and adopted European and international standards from your desktop. It's available 24/7 and is refreshed daily so you'll always be up to date.

You can keep in touch with standards developments and receive substantial discounts on the purchase price of standards, both in single copy and subscription format, by becoming a **BSI Subscribing Member**.

**PLUS** is an updating service exclusive to BSI Subscribing Members. You will automatically receive the latest hard copy of your standards when they're revised or replaced.

To find out more about becoming a BSI Subscribing Member and the benefits of membership, please visit [bsigroup.com/shop](http://bsigroup.com/shop).

With a **Multi-User Network Licence (MUNL)** you are able to host standards publications on your intranet. Licences can cover as few or as many users as you wish. With updates supplied as soon as they're available, you can be sure your documentation is current. For further information, email [bsmusales@bsigroup.com](mailto:bsmusales@bsigroup.com).

## BSI Group Headquarters

389 Chiswick High Road London W4 4AL UK

## Revisions

Our British Standards and other publications are updated by amendment or revision.

We continually improve the quality of our products and services to benefit your business. If you find an inaccuracy or ambiguity within a British Standard or other BSI publication please inform the Knowledge Centre.

## Copyright

All the data, software and documentation set out in all British Standards and other BSI publications are the property of and copyrighted by BSI, or some person or entity that owns copyright in the information used (such as the international standardization bodies) and has formally licensed such information to BSI for commercial publication and use. Except as permitted under the Copyright, Designs and Patents Act 1988 no extract may be reproduced, stored in a retrieval system or transmitted in any form or by any means – electronic, photocopying, recording or otherwise – without prior written permission from BSI. Details and advice can be obtained from the Copyright & Licensing Department.

## Useful Contacts:

### Customer Services

**Tel:** +44 845 086 9001

**Email (orders):** [orders@bsigroup.com](mailto:orders@bsigroup.com)

**Email (enquiries):** [cservices@bsigroup.com](mailto:cservices@bsigroup.com)

### Subscriptions

**Tel:** +44 845 086 9001

**Email:** [subscriptions@bsigroup.com](mailto:subscriptions@bsigroup.com)

### Knowledge Centre

**Tel:** +44 20 8996 7004

**Email:** [knowledgecentre@bsigroup.com](mailto:knowledgecentre@bsigroup.com)

### Copyright & Licensing

**Tel:** +44 20 8996 7070

**Email:** [copyright@bsigroup.com](mailto:copyright@bsigroup.com)



...making excellence a habit.™