

BS EN ISO 12460-4:2016



BSI Standards Publication

# Wood-based panels — Determination of formaldehyde release

Part 4: Desiccator method

**bsi.**

...making excellence a habit.™

**National foreword**

This British Standard is the UK implementation of EN ISO 12460-4:2016.

The UK participation in its preparation was entrusted to Technical Committee B/541, Wood based panels.

A list of organizations represented on this committee can be obtained on request to its secretary.

This publication does not purport to include all the necessary provisions of a contract. Users are responsible for its correct application.

© The British Standards Institution 2016.  
Published by BSI Standards Limited 2016

ISBN 978 0 580 85571 9

ICS 79.060.01

**Compliance with a British Standard cannot confer immunity from legal obligations.**

This British Standard was published under the authority of the Standards Policy and Strategy Committee on 29 February 2016.

**Amendments/corrigenda issued since publication**

Date	Text affected
------	---------------

---

EUROPEAN STANDARD

EN ISO 12460-4

NORME EUROPÉENNE

EUROPÄISCHE NORM

February 2016

---

ICS 79.060.01

English Version

## Wood-based panels - Determination of formaldehyde release - Part 4: Desiccator method (ISO 12460-4:2016)

Panneaux à base de bois - Détermination du dégagement de formaldéhyde - Partie 4: Méthode au dessiccateur (ISO 12460-4:2016)

Holzwerkstoffe - Bestimmung der Formaldehydabgabe - Teil 4: Exsikkator-Verfahren (ISO 12460-4:2016)

This European Standard was approved by CEN on 26 December 2015.

CEN members are bound to comply with the CEN/CENELEC Internal Regulations which stipulate the conditions for giving this European Standard the status of a national standard without any alteration. Up-to-date lists and bibliographical references concerning such national standards may be obtained on application to the CEN-CENELEC Management Centre or to any CEN member.

This European Standard exists in three official versions (English, French, German). A version in any other language made by translation under the responsibility of a CEN member into its own language and notified to the CEN-CENELEC Management Centre has the same status as the official versions.

CEN members are the national standards bodies of Austria, Belgium, Bulgaria, Croatia, Cyprus, Czech Republic, Denmark, Estonia, Finland, Former Yugoslav Republic of Macedonia, France, Germany, Greece, Hungary, Iceland, Ireland, Italy, Latvia, Lithuania, Luxembourg, Malta, Netherlands, Norway, Poland, Portugal, Romania, Slovakia, Slovenia, Spain, Sweden, Switzerland, Turkey and United Kingdom.



EUROPEAN COMMITTEE FOR STANDARDIZATION  
COMITÉ EUROPÉEN DE NORMALISATION  
EUROPÄISCHES KOMITEE FÜR NORMUNG

**CEN-CENELEC Management Centre: Avenue Marnix 17, B-1000 Brussels**

## European foreword

This document (EN ISO 12460-4:2016) has been prepared by Technical Committee ISO/TC 89 "Wood-based panels" in collaboration with Technical Committee CEN/TC 112 "Wood-based panels" the secretariat of which is held by DIN.

This European Standard shall be given the status of a national standard, either by publication of an identical text or by endorsement, at the latest by August 2016, and conflicting national standards shall be withdrawn at the latest by August 2016.

Attention is drawn to the possibility that some of the elements of this document may be the subject of patent rights. CEN [and/or CENELEC] shall not be held responsible for identifying any or all such patent rights.

According to the CEN-CENELEC Internal Regulations, the national standards organizations of the following countries are bound to implement this European Standard: Austria, Belgium, Bulgaria, Croatia, Cyprus, Czech Republic, Denmark, Estonia, Finland, Former Yugoslav Republic of Macedonia, France, Germany, Greece, Hungary, Iceland, Ireland, Italy, Latvia, Lithuania, Luxembourg, Malta, Netherlands, Norway, Poland, Portugal, Romania, Slovakia, Slovenia, Spain, Sweden, Switzerland, Turkey and the United Kingdom.

### Endorsement notice

The text of ISO 12460-4:2016 has been approved by CEN as EN ISO 12460-4:2016 without any modification.

# Contents

Page

<b>Foreword</b> .....	<b>iv</b>
<b>1 Scope</b> .....	<b>1</b>
<b>2 Normative references</b> .....	<b>1</b>
<b>3 Principle</b> .....	<b>1</b>
<b>4 Reagents</b> .....	<b>1</b>
<b>5 Apparatus</b> .....	<b>2</b>
<b>6 Test pieces</b> .....	<b>2</b>
6.1 Sampling.....	2
6.2 Dimensions.....	4
6.3 Number of test pieces.....	4
6.4 Number of emission tests.....	4
6.5 Conditioning.....	4
<b>7 Procedure</b> .....	<b>4</b>
7.1 Desiccator preparation.....	4
7.1.1 New desiccators.....	4
7.1.2 Before each determination.....	4
7.2 Test conditions.....	5
7.3 Positioning of the test pieces.....	5
7.4 Monitoring of test conditions.....	5
7.4.1 Temperature.....	5
7.4.2 Background formaldehyde.....	5
7.5 Test duration.....	5
7.6 Sample collection.....	5
<b>8 Determination of formaldehyde</b> .....	<b>5</b>
8.1 General.....	5
8.2 Principle.....	5
8.3 Procedure.....	6
8.4 Calibration curve.....	6
8.4.1 General.....	6
8.4.2 Formaldehyde standard solution.....	6
8.4.3 Formaldehyde calibration solution.....	6
8.4.4 Determination of the calibration curve.....	7
8.5 Calculation of the concentration of formaldehyde in the glass crystallizing dish in the desiccator.....	7
<b>9 Expression of results</b> .....	<b>7</b>
<b>10 Test report</b> .....	<b>7</b>
<b>Bibliography</b> .....	<b>9</b>

## Foreword

ISO (the International Organization for Standardization) is a worldwide federation of national standards bodies (ISO member bodies). The work of preparing International Standards is normally carried out through ISO technical committees. Each member body interested in a subject for which a technical committee has been established has the right to be represented on that committee. International organizations, governmental and non-governmental, in liaison with ISO, also take part in the work. ISO collaborates closely with the International Electrotechnical Commission (IEC) on all matters of electrotechnical standardization.

The procedures used to develop this document and those intended for its further maintenance are described in the ISO/IEC Directives, Part 1. In particular the different approval criteria needed for the different types of ISO documents should be noted. This document was drafted in accordance with the editorial rules of the ISO/IEC Directives, Part 2 (see [www.iso.org/directives](http://www.iso.org/directives)).

Attention is drawn to the possibility that some of the elements of this document may be the subject of patent rights. ISO shall not be held responsible for identifying any or all such patent rights. Details of any patent rights identified during the development of the document will be in the Introduction and/or on the ISO list of patent declarations received (see [www.iso.org/patents](http://www.iso.org/patents)).

Any trade name used in this document is information given for the convenience of users and does not constitute an endorsement.

For an explanation on the meaning of ISO specific terms and expressions related to conformity assessment, as well as information about ISO's adherence to the WTO principles in the Technical Barriers to Trade (TBT) see the following URL: [Foreword - Supplementary information](#)

The committee responsible for this document is ISO/TC 89, *Wood-based panels*.

This second edition cancels and replaces the first edition (ISO 12460-4:2008), which has been technically revised with the following changes:

- a) introduction was deleted;
- b) reference to JANS 16 was deleted in the scope;
- c) provisions for low emitting boards were added in [5.6](#).

It also incorporates the Amendment ISO 12460-4:2008/Amd 1:2011.

ISO 12460 consists of the following parts, under the general title *Wood-based panels — Determination of formaldehyde release*:

- *Part 1: Formaldehyde emission by the 1-cubic-metre chamber method*
- *Part 3: Gas analysis method*
- *Part 4: Desiccator method*
- *Part 5: Extraction method (called the perforator method)*

# Wood-based panels — Determination of formaldehyde release —

## Part 4: Desiccator method

### 1 Scope

This part of ISO 12460 specifies a desiccator method for the determination of the quantity of formaldehyde emitted from particleboard, fibreboard, plywood, oriented strand board (OSB) and wooden laminated flooring.

### 2 Normative references

The following documents, in whole or in part, are normatively referenced in this document and are indispensable for its application. For dated references, only the edition cited applies. For undated references, the latest edition of the referenced document (including any amendments) applies.

ISO 16999, *Wood-based panels — Sampling and cutting of test pieces*

### 3 Principle

Emission of formaldehyde is determined by placing test pieces of known surface area in a desiccator at a controlled temperature and measuring the quantity of emitted formaldehyde absorbed in a specified volume of water during 24 h.

### 4 Reagents

Use only reagents of recognized analytical grade, unless otherwise specified, and distilled or demineralized water or water of equivalent purity.

#### 4.1 Acetylacetone-ammonium acetate solution.

Dissolve 150 g ammonium acetate ( $C_2H_3O_2NH_4$ ) in 800 ml water in a 1 000 ml one-mark volumetric flask (5.9). Add 3 ml glacial acetic acid ( $C_2H_4O_2$ ) and 2 ml acetylacetone (pentane-2,4-dione,  $C_5H_8O_2$ ) and mix thoroughly into the solution. Make up to the mark with water. During storage, protect the solution from light. Discard the solution 3 days after preparation.

#### 4.2 Iodine standard solution, $c(I_2) = 0,05$ mol/l.

Standardize the solution before use.

#### 4.3 Sodium thiosulfate standard solution, $c(Na_2S_2O_3) = 0,1$ mol/l.

Standardize the solution before use.

#### 4.4 Sodium hydroxide standard solution, $c(NaOH) = 1$ mol/l.

Standardize the solution before use.

**4.5 Sulfuric acid standard solution**,  $c(\text{H}_2\text{SO}_4) = 1 \text{ mol/l}$ .

Standardize the solution before use.

**4.6 Starch solution**, 1 % mass fraction.

## 5 Apparatus

The usual laboratory apparatus and, in particular, the following:

**5.1 Glass desiccators**, with an enclosed volume of  $(11 \pm 2) \text{ l}$  capable of enclosing a support (5.2).

**5.2 Wire grid or support**, of diameter  $(240 \pm 15) \text{ mm}$  of stainless steel wire such that the distance between parallel pieces of wire is not less than 15 mm (see [Figure 1](#)).

**5.3 Glass crystallizing dish**, circular of inside diameter  $(115 \pm 1) \text{ mm}$  and depth  $(60 \pm 2) \text{ mm}$ .

**5.4 Sample holder**, of stainless steel wire, to hold the test pieces upright in the desiccator (see [Figure 2](#)).

**5.5 Temperature-measuring device**, e.g. a thermocouple, capable of measuring temperature with an error limit of  $\pm 0,1 \text{ }^\circ\text{C}$ , placed inside a desiccator (5.1) located adjacent to the desiccator(s) containing the test pieces.

**5.6 Spectrophotometer**, capable of measuring absorbance at 412 nm. The use of cells of pathlength at least 50 mm is recommended and is required for low emitting boards. Fluorometric determination can also be used to gain more sensitivity.

**5.7 Water bath**, capable of maintaining a temperature of  $(65 \pm 2) \text{ }^\circ\text{C}$ .

**5.8 Volumetric flasks**, six, of capacity 100 ml.

**5.9 Volumetric flasks**, two, of capacity 1 000 ml.

**5.10 Bulb pipettes**, of capacities 5 ml, 10 ml, 15 ml, 20 ml, 25 ml, 50 ml, and 100 ml or suitable auto pipette.

**5.11 Microburette or auto dispenser**.

**5.12 Flasks with stoppers**, of capacity 100 ml.

**5.13 Balance**, capable of measuring to 0,001 g.

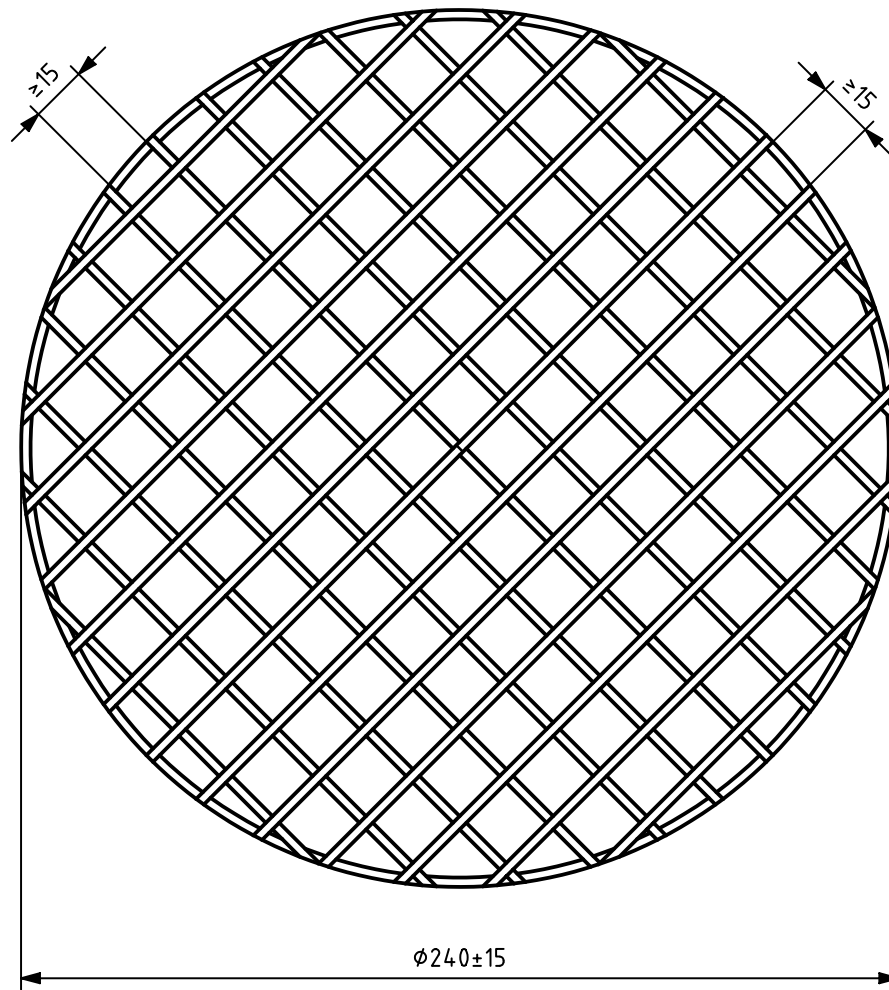
## 6 Test pieces

### 6.1 Sampling

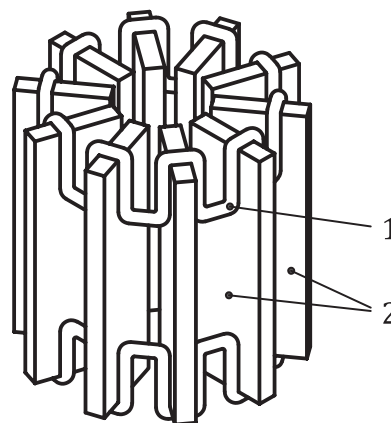
Sampling and cutting of the test pieces shall be carried out in accordance with ISO 16999.



Dimensions in millimetre



**Figure 1 — Stainless steel wire grid for supporting the test pieces in the desiccator**



**Key**

- 1 supporting metal
- 2 test pieces

**Figure 2 — Example of wire sample holder to hold the test pieces in the desiccator**

## 6.2 Dimensions

The test pieces, of thickness,  $\delta$ , in millimetres, shall be of length  $(150 \pm 1,0)$  mm and of width  $(50 \pm 1,0)$  mm.

## 6.3 Number of test pieces

The number of test pieces shall be determined by their total surface area. The sum of the areas of the ends, sides and faces shall be as close as possible to 1 800 cm<sup>2</sup>.

## 6.4 Number of emission tests

The emission tests shall be carried out in duplicate.

NOTE For internal routine control, a single emission test might be sufficient.

The differences between emissions of the two tests shall be within 20 % of their arithmetic average, otherwise a third emission test shall be carried out.

## 6.5 Conditioning

Condition the test pieces for 7 days or to constant mass in an atmosphere with a mean relative humidity of  $(65 \pm 5)$  % and a temperature of  $(20 \pm 2)$  °C.

Constant mass is considered to have been reached when the results of two successive weighing operations, carried out at an interval of 24 h, do not differ by more than 0,1 % of the mass of the test piece.

The test pieces to be conditioned shall be separated by at least 25 mm and positioned so that air can circulate freely over all surfaces.

Test pieces containing low levels of formaldehyde will absorb formaldehyde from the atmosphere when background levels of formaldehyde are high. Care should be taken to avoid such conditions during storage and conditioning by use of a formaldehyde removal system or by maintaining low volumes of test pieces in the room. The background level is measured by exposing a glass crystallizing dish (5.3) containing 300 ml water to the conditioning atmosphere for 24 h, and analysing the resulting solution. The maximum background level shall be less than the nominal emission level of the test pieces (e.g. for test pieces from a sample with expected emissions of 0,3 mg/l, the background levels should be less than 0,3 mg/l).

## 7 Procedure

### 7.1 Desiccator preparation

#### 7.1.1 New desiccators

Thoroughly clean new desiccators and those previously used for purposes other than the determination of formaldehyde.

#### 7.1.2 Before each determination

Rinse the desiccator (5.1) and the glass dish (5.3) with water and dry them before each determination. Place  $(300 \pm 1)$  ml of water at  $(20 \pm 1)$  °C in the glass dish (5.3), and locate it centrally at the bottom of the desiccator. Position the wire mesh support (5.2) above the glass dish within the desiccator.

## 7.2 Test conditions

Place the desiccator on a vibration-free surface in an environment capable of maintaining the air temperature inside the desiccator at  $(20 \pm 0,5) ^\circ\text{C}$ .

## 7.3 Positioning of the test pieces

Insert the test pieces, free of any loose particles, into the wire sample holder (5.4) before placing it inside the desiccator. Position the sample holder containing the test pieces inside the desiccator at the centre of the wire mesh support so that it is located directly above the glass dish.

## 7.4 Monitoring of test conditions

### 7.4.1 Temperature

Prepare a control desiccator (5.1) as specified in 7.1.2 but containing no test pieces, and fit it with a temperature-measuring device (5.5). Monitor the temperature inside the desiccator continuously, or at intervals not exceeding 15 min, and record the mean temperature during the test period.

Alternatively, the temperature may be monitored by locating the temperature-measuring device (5.5) in the test environment adjacent to the desiccator.

### 7.4.2 Background formaldehyde

Measure the background formaldehyde in the testing environment using the control desiccator (7.4.1). The maximum accepted background level is 0,05 mg/l.

## 7.5 Test duration

The duration of the test shall be  $24 \text{ h} \pm 10 \text{ min}$ .

## 7.6 Sample collection

Thoroughly mix the formaldehyde solution contained in the glass dish. Rinse a 100 ml one-mark volumetric flask (5.8) with the formaldehyde solution and then fill it to the mark with the solution. Use a glass stopper to seal the flask. If the sample is not to be analysed immediately, store it between  $0 ^\circ\text{C}$  and  $5 ^\circ\text{C}$  for a maximum of 30 h.

Follow the same procedure for the measurement of background formaldehyde.

# 8 Determination of formaldehyde

## 8.1 General

Determine the formaldehyde content of the aqueous solutions photometrically by the acetylacetone method.

## 8.2 Principle

The determination is based on the Hantzsch reaction in which the formaldehyde reacts with ammonium ions and acetylacetone to yield diacetyldihydrotoluidine (DDL). DDL has an absorption maximum at 412 nm. The reaction is specific to formaldehyde (see Reference [1]).

### 8.3 Procedure

Pipette (5.10) 25 ml of the formaldehyde solution to be analysed into a 100 ml flask (5.12), add 25 ml of the acetylacetone-ammonium acetate solution (4.1) and seal the flask with a stopper.

Heat the stoppered flask for 10 min in a water bath (5.7) at  $(65 \pm 2)$  °C. Then store the solution at 20 °C for  $(60 \pm 5)$  min, protected from light, before determining the absorbance of the solution at a wavelength of 412 nm against water, using a spectrophotometer (5.6). Determine background formaldehyde (7.4.2) using the same procedure.

If maximum absorbance occurs at a wavelength other than 412 nm, all measurements, including calibration, may be conducted at this wavelength.

### 8.4 Calibration curve

#### 8.4.1 General

The calibration curve is produced from a standard formaldehyde solution, the concentration of which has been determined by iodometric titration. Check the calibration curve at least once a month. It is determined using the method in 8.4.2 or a suitable equivalent.

If monthly calibration show less than 2% variation on the mean values, the calibration curve checking interval may be increased. Records should be kept to justify any increased checking interval.

#### 8.4.2 Formaldehyde standard solution

Dilute about 1 ml formaldehyde solution (mass fraction 35 % to 40 %) in a 1 000 ml volumetric flask (5.9) with water, and make up to the mark with water.

To determine the exact formaldehyde concentration of this solution, mix a 20 ml volume with 25 ml iodine solution (4.2) and 10 ml sodium hydroxide solution (4.4). Allow to stand for 15 min, protected from light, then add 15 ml of sulfuric acid solution (4.5). Back-titrate the surplus iodine with the sodium thiosulfate solution (4.3). Near the end of the titration, add a few drops of starch solution (4.6) as indicator. Perform a blank test on 20 ml water in parallel.

The formaldehyde content, as a concentration in milligrams per litre,  $\rho(\text{HCHO})$ , is calculated from Formula (1):

$$\rho(\text{HCHO}) = (V_0 - V) \times 15 \times c(\text{Na}_2\text{S}_2\text{O}_3) \times 1\,000 / 20 \quad (1)$$

where

$c(\text{Na}_2\text{S}_2\text{O}_3)$  is the thiosulfate solution (4.3) concentration, in moles per litre;

$V$  is the volume, in millilitres, of thiosulfate solution (4.3) consumed in the test titration;

$V_0$  is the volume, in millilitres, of thiosulfate solution (4.3) consumed in the blank titration.

NOTE 1 ml 0,1 mol/l thiosulfate solution (4.3) corresponds to 1 ml 0,05 mol/l iodine solution (4.2) and 1,5 mg formaldehyde.

#### 8.4.3 Formaldehyde calibration solution

Using the concentration value determined in 8.4.2, calculate the volume which will contain 3 mg formaldehyde. Transfer this volume, using a microburette (5.11), to a 1 000 ml volumetric flask (5.9) and make up to the mark with water; 1 ml of this calibration solution contains 3 µg formaldehyde.

#### 8.4.4 Determination of the calibration curve

Pipette (5.10) 0 ml, 5 ml, 10 ml, 20 ml, 50 ml and 100 ml of formaldehyde calibration solution (8.4.3) into separate 100 ml volumetric flasks (5.8) and make up to the mark with water. Analyse 25 ml of each dilution photometrically by a procedure similar to that in 8.3. Determine a blank value in parallel, using a solution made up of 25 ml water and 25 ml acetylacetone-ammonium acetate solution (4.1); this is taken into consideration when determining the absorbance values of the calibration solutions. Plot the absorbance values against the formaldehyde concentration,  $\rho$  (between 0 mg/l and 3 mg/l). Determine the slope,  $f$ , from the graph generated, either manually or by using software.

#### 8.5 Calculation of the concentration of formaldehyde in the glass crystallizing dish in the desiccator

The formaldehyde concentration,  $G$ , in milligrams per litre, in the glass crystallizing dish in the desiccator due to the test pieces is calculated using Formula (2):

$$G = f \times (\alpha_d - \alpha_b) \times 1\,800 / A \quad (2)$$

where

$\alpha_b$  is the absorbance of the background formaldehyde solution (7.4.2);

$\alpha_d$  is the absorbance of the solution from the desiccator containing the test pieces (8.3);

$A$  is the combined area, in square centimetres, of the test pieces (6.3);

$f$  is the slope, in milligrams per litre, of the formaldehyde calibration curve (8.4.4).

### 9 Expression of results

The emission of formaldehyde from the samples is measured as the quantity of formaldehyde collected in the glass dish, expressed in milligrams per litre, rounded to the nearest 0,01 mg/l.

Both the arithmetic average and the two (or three) individual values shall be given in the test report.

### 10 Test report

The test report shall contain at least the following information:

- a) a reference to this part of ISO 12460, i.e. ISO 12460-4:2016;
- b) the name and address of test laboratory;
- c) the sampling report according to ISO 16999;
- d) the date of the test report;
- e) the panel type, thickness ( $\delta$ ) and density;
- f) the date of sampling;
- g) the date of formaldehyde determination;
- h) the relevant product specification;
- i) the surface treatment, if relevant;
- j) the specific apparatus used, in case of different possibilities allowed in this part of ISO 12460;
- k) the test results expressed as stated in [Clause 9](#);

- l) the background level as calculated in [8.5](#);
- m) all deviations from this part of ISO 12460.

## Bibliography

- [1] BELMAN S. The fluorimetric determination of formaldehyde. *Anal. Chim. Acta.* 1963, **29** pp. 120-126







# British Standards Institution (BSI)

BSI is the national body responsible for preparing British Standards and other standards-related publications, information and services.

BSI is incorporated by Royal Charter. British Standards and other standardization products are published by BSI Standards Limited.

## About us

We bring together business, industry, government, consumers, innovators and others to shape their combined experience and expertise into standards-based solutions.

The knowledge embodied in our standards has been carefully assembled in a dependable format and refined through our open consultation process. Organizations of all sizes and across all sectors choose standards to help them achieve their goals.

## Information on standards

We can provide you with the knowledge that your organization needs to succeed. Find out more about British Standards by visiting our website at [bsigroup.com/standards](http://bsigroup.com/standards) or contacting our Customer Services team or Knowledge Centre.

## Buying standards

You can buy and download PDF versions of BSI publications, including British and adopted European and international standards, through our website at [bsigroup.com/shop](http://bsigroup.com/shop), where hard copies can also be purchased.

If you need international and foreign standards from other Standards Development Organizations, hard copies can be ordered from our Customer Services team.

## Subscriptions

Our range of subscription services are designed to make using standards easier for you. For further information on our subscription products go to [bsigroup.com/subscriptions](http://bsigroup.com/subscriptions).

With **British Standards Online (BSOL)** you'll have instant access to over 55,000 British and adopted European and international standards from your desktop. It's available 24/7 and is refreshed daily so you'll always be up to date.

You can keep in touch with standards developments and receive substantial discounts on the purchase price of standards, both in single copy and subscription format, by becoming a **BSI Subscribing Member**.

**PLUS** is an updating service exclusive to BSI Subscribing Members. You will automatically receive the latest hard copy of your standards when they're revised or replaced.

To find out more about becoming a BSI Subscribing Member and the benefits of membership, please visit [bsigroup.com/shop](http://bsigroup.com/shop).

With a **Multi-User Network Licence (MUNL)** you are able to host standards publications on your intranet. Licences can cover as few or as many users as you wish. With updates supplied as soon as they're available, you can be sure your documentation is current. For further information, email [bsmusales@bsigroup.com](mailto:bsmusales@bsigroup.com).

## Revisions

Our British Standards and other publications are updated by amendment or revision.

We continually improve the quality of our products and services to benefit your business. If you find an inaccuracy or ambiguity within a British Standard or other BSI publication please inform the Knowledge Centre.

## Copyright

All the data, software and documentation set out in all British Standards and other BSI publications are the property of and copyrighted by BSI, or some person or entity that owns copyright in the information used (such as the international standardization bodies) and has formally licensed such information to BSI for commercial publication and use. Except as permitted under the Copyright, Designs and Patents Act 1988 no extract may be reproduced, stored in a retrieval system or transmitted in any form or by any means – electronic, photocopying, recording or otherwise – without prior written permission from BSI. Details and advice can be obtained from the Copyright & Licensing Department.

## Useful Contacts:

### Customer Services

**Tel:** +44 845 086 9001

**Email (orders):** [orders@bsigroup.com](mailto:orders@bsigroup.com)

**Email (enquiries):** [cservices@bsigroup.com](mailto:cservices@bsigroup.com)

### Subscriptions

**Tel:** +44 845 086 9001

**Email:** [subscriptions@bsigroup.com](mailto:subscriptions@bsigroup.com)

### Knowledge Centre

**Tel:** +44 20 8996 7004

**Email:** [knowledgecentre@bsigroup.com](mailto:knowledgecentre@bsigroup.com)

### Copyright & Licensing

**Tel:** +44 20 8996 7070

**Email:** [copyright@bsigroup.com](mailto:copyright@bsigroup.com)

## BSI Group Headquarters

389 Chiswick High Road London W4 4AL UK

