

Building construction — Jointing products — Determination of adhesion/cohesion properties of sealants after exposure to heat, water and artificial light through glass

The European Standard EN ISO 11431:2002 has the status of a British Standard

ICS 91.100.50

National foreword

This British Standard is the official English language version of EN ISO 11431:2002. It is identical with ISO 11431:2002. It supersedes BS ISO 11431:1993 which is withdrawn.

The UK participation in its preparation was entrusted to Technical Committee B/547, Sealants for building and construction, which has the responsibility to:

- aid enquirers to understand the text;
- present to the responsible international/European committee any enquiries on the interpretation, or proposals for change, and keep the UK interests informed;
- monitor related international and European developments and promulgate them in the UK.

A list of organizations represented on this committee can be obtained on request to its secretary.

Cross-references

The British Standards which implement international or European publications referred to in this document may be found in the *BSI Catalogue* under the section entitled “International Standards Correspondence Index”, or by using the “Search” facility of the *BSI Electronic Catalogue* or of British Standards Online.

This publication does not purport to include all the necessary provisions of a contract. Users are responsible for its correct application.

Compliance with a British Standard does not of itself confer immunity from legal obligations.

This British Standard, having been prepared under the direction of the Building and Civil Engineering Sector Policy and Strategy Committee, was published under the authority of the Standards Policy and Strategy Committee on 30 September 2002

Summary of pages

This document comprises a front cover, an inside front cover, the EN ISO title page, the EN ISO foreword page, the ISO title page, pages ii and iii, a blank page, pages 1 to 6, the Annex ZA page and a back cover.

The BSI copyright date displayed in this document indicates when the document was last issued.

Amendments issued since publication

Amd. No.	Date	Comments
14180 Corrigendum No.1	16 October 2002	Correction to the EN ISO foreword page and the incorporation of the Annex ZA page

© BSI 16 October 2002

ISBN 0 580 40483 8

ICS: 91.100.50

English version

**Building construction - Jointing products - Determination of
adhesion/cohesion properties of sealants after exposure to heat,
water and artificial light through glass (ISO 11431:2002)**

Construction immobilière - Produits pour joints -
Détermination des propriétés d'adhésivité/cohésion des
mastics après exposition à la chaleur, à l'eau et à la
lumière artificielle à travers le verre (ISO 11431:2002)

This European Standard was approved by CEN on 11 July 2002.

CEN members are bound to comply with the CEN/CENELEC Internal Regulations which stipulate the conditions for giving this European Standard the status of a national standard without any alteration. Up-to-date lists and bibliographical references concerning such national standards may be obtained on application to the Management Centre or to any CEN member.

This European Standard exists in three official versions (English, French, German). A version in any other language made by translation under the responsibility of a CEN member into its own language and notified to the Management Centre has the same status as the official versions.

CEN members are the national standards bodies of Austria, Belgium, Czech Republic, Denmark, Finland, France, Germany, Greece, Iceland, Ireland, Italy, Luxembourg, Malta, Netherlands, Norway, Portugal, Spain, Sweden, Switzerland and United Kingdom.



EUROPEAN COMMITTEE FOR STANDARDIZATION
COMITÉ EUROPÉEN DE NORMALISATION
EUROPÄISCHES KOMITEE FÜR NORMUNG

Management Centre: rue de Stassart, 36 B-1050 Brussels

CORRECTED 2002-10-02

Foreword

This document (EN ISO 11431:2002) has been prepared by Technical Committee ISO /TC 59 "Building construction" in collaboration with CMC.

This European Standard shall be given the status of a national standard, either by publication of an identical text or by endorsement, at the latest by February 2003, and conflicting national standards shall be withdrawn at the latest by February 2003.

According to the CEN/CENELEC Internal Regulations, the national standards organizations of the following countries are bound to implement this European Standard: Austria, Belgium, Czech Republic, Denmark, Finland, France, Germany, Greece, Iceland, Ireland, Italy, Luxembourg, Malta, Netherlands, Norway, Portugal, Spain, Sweden, Switzerland and the United Kingdom.

Endorsement notice

The text of ISO 11431:2002 has been approved by CEN as EN ISO 11431:2002 without any modifications.

NOTE Normative references to International Standards are listed in Annex ZA (normative).

INTERNATIONAL
STANDARD

ISO
11431

Second edition
2002-08-15

**Building construction — Jointing
products — Determination of
adhesion/cohesion properties of sealants
after exposure to heat, water and artificial
light through glass**

*Construction immobilière — Produits pour joints — Détermination des
propriétés d'adhésivité/cohésion des mastics après exposition à la chaleur,
à l'eau et à la lumière artificielle à travers le verre*



Reference number
ISO 11431:2002(E)

Foreword

ISO (the International Organization for Standardization) is a worldwide federation of national standards bodies (ISO member bodies). The work of preparing International Standards is normally carried out through ISO technical committees. Each member body interested in a subject for which a technical committee has been established has the right to be represented on that committee. International organizations, governmental and non-governmental, in liaison with ISO, also take part in the work. ISO collaborates closely with the International Electrotechnical Commission (IEC) on all matters of electrotechnical standardization.

International Standards are drafted in accordance with the rules given in the ISO/IEC Directives, Part 3.

Draft International Standards adopted by the technical committees are circulated to the member bodies for voting. Publication as an International Standard requires approval by at least 75 % of the member bodies casting a vote.

Attention is drawn to the possibility that some of the elements of this International Standard may be the subject of patent rights. ISO shall not be held responsible for identifying any or all such patent rights.

International Standard ISO 11431 was prepared by Technical Committee ISO/TC 59, *Building construction*, Subcommittee SC 8, *Joining products*.

This second edition cancels and replaces the first edition (ISO 11431:1993), which has been technically revised.

Building construction — Jointing products — Determination of adhesion/cohesion properties of sealants after exposure to heat, water and artificial light through glass

1 Scope

This International Standard specifies a method for the determination of the adhesion/cohesion properties of sealants after cyclic exposure to heat and artificial light followed by a period of exposure to water at a defined temperature.

NOTE The cyclic exposure of the test specimens to water and to radiation and heat is meant to simulate the exposure of sealants in service to natural weather conditions. The acceleration factor in comparison with the real situation is unknown. The intention is not to receive durability data for the sealants under evaluation but to ensure a minimum performance in glazing applications.

2 Normative references

The following normative documents contain provisions which, through reference in this text, constitute provisions of this International Standard. For dated references, subsequent amendments to, or revisions of, any of these publications do not apply. However, parties to agreements based on this International Standard are encouraged to investigate the possibility of applying the most recent editions of the normative documents indicated below. For undated references, the latest edition of the normative document referred to applies. Members of ISO and IEC maintain registers of currently valid International Standards.

ISO 4892-1:1999, *Plastics — Methods of exposure to laboratory light sources — Part 1: General guidance*

ISO 4892-2, *Plastics — Methods of exposure to laboratory light sources — Part 2: Xenon-arc sources*

ISO 6927, *Building construction — Jointing products — Sealants — Vocabulary*

ISO 13640, *Building construction — Jointing products — Specifications for test substrates*

CIE Publication No. 85:1989, *Technical Report — Solar spectral irradiance*

3 Terms and definitions

For the purposes of this International Standard, the terms and definitions given in ISO 6927 apply.

4 Principle

Specimens are prepared in which the sealant to be tested adheres to two parallel glass surfaces. After submitting the specimens to a cyclic exposure to artificial light at elevated temperature and to water, the specimens are extended to a defined width. After maintenance of the extension for a defined time, the specimens are examined for evidence of loss of adhesion or cohesion.

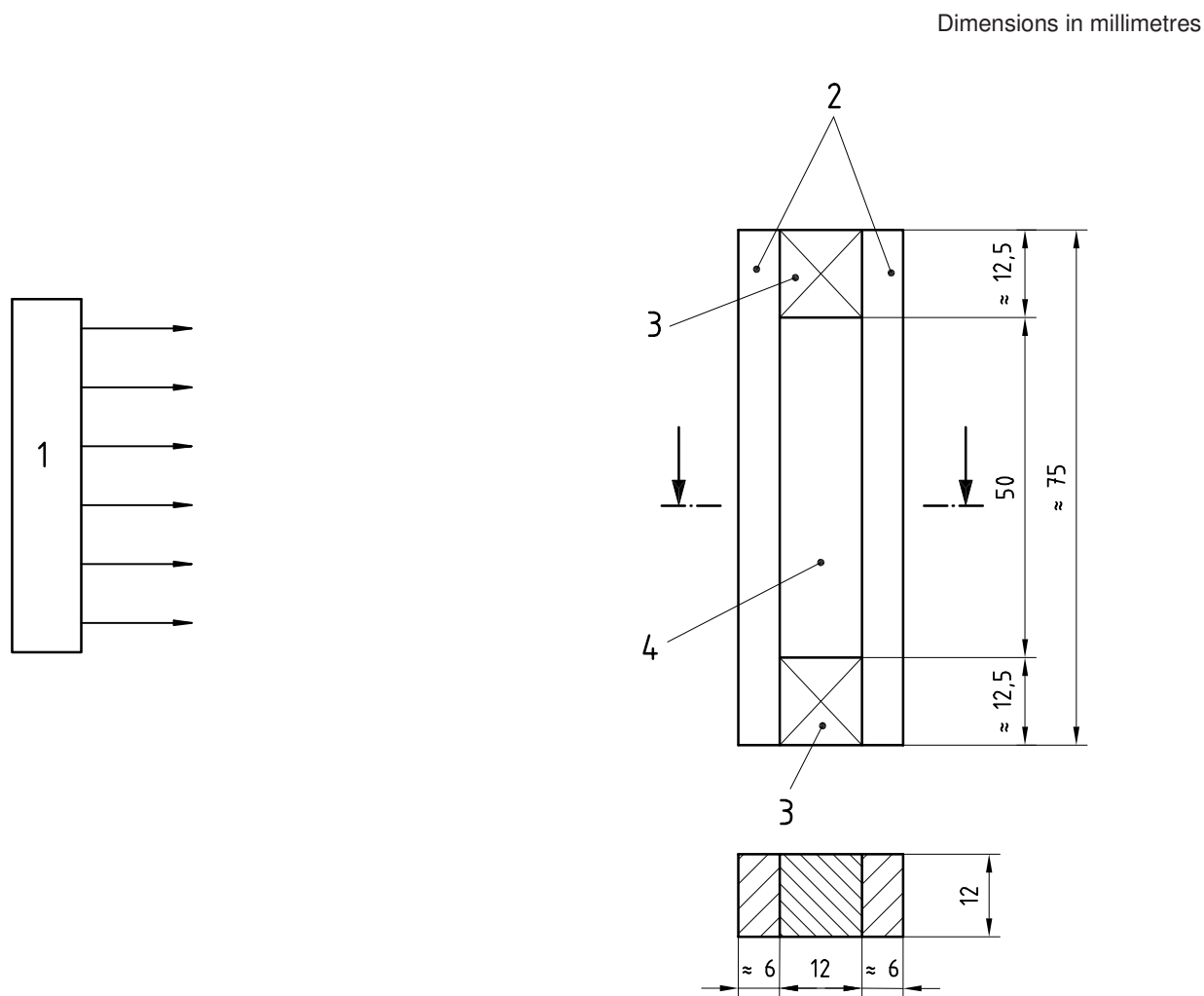
5 Apparatus

5.1 Glass supports, for the preparation of specimens.

For the definition of the glass, see ISO 13640. For each test specimen, two glass supports are required with a cross-section of dimensions as shown in Figure 1. Test substrates of other dimensions may be used, but the dimensions of the sealant bead and the area of adhesion shall be the same as those shown in Figure 1. The thickness of the glass shall be 6 mm.

5.2 Spacers, for the preparation of the specimens, of cross-section 12 mm × 12 mm, with anti-adherent surface (see Figure 1).

If the spacers are made of material to which the sealant adheres, their surface should be made anti-adherent, e.g. by a thin wax coating or a polyethylene film.



Key

1	Light
2	Glass supports
3	Spacers
4	Sealant

Figure 1 — Assembly for specimens and direction of light exposure

5.3 Anti-adherent substrate, for the preparation of test specimens, e.g. a polyethylene (PE) film, preferably on the advice of the sealant manufacturer.

5.4 Ventilated convection-type oven, capable of being maintained at (70 ± 2) °C for conditioning according to method B.

5.5 Container, for immersing specimens in demineralized or distilled water, for conditioning according to method B.

5.6 Test chamber with an artificial light source (see 5.7), capable of exposure of the test specimens to radiation under dry conditions at a defined temperature, which is measured on a black standard thermometer.

The test chamber shall be sufficiently ventilated to maintain the test temperature in the dry phase. The radiation is directed to the surface of one of the glass substrates (see Figure 1).

If fully automated equipment is used, the exposure to water is accomplished in the same test chamber. This can be done either by immersion or by water spray. Demineralized water shall be used.

Suitable equipment and test procedures for cyclic exposures with intermittent water spray are described in ISO 4892-1.

If exposure to water is done outside the test chamber in a device where the test specimens are transferred manually, they shall be immersed in demineralized water at a defined temperature.

Contamination of the water for immersion or spray by-products leached out from the sealants shall be avoided. The recommended procedure is to test sealants of different chemical type separately and to use fresh water. If the water has to be recycled because of high consumption (e.g. in spraying), a sufficient exchange with clean water shall be maintained.

5.7 Artificial light source with suitable filters, for the simulation of the visible and ultraviolet part of daylight as defined in CIE Publication No. 85. The spectral distribution of radiation shall comply with the requirements outlined in ISO 4892-2 (method A). The irradiance at the surface of the test specimens between wavelengths 290 nm and 800 nm shall be (550 ± 75) W/m².

NOTE Light sources for the simulation of the global radiation at the surface of the earth are under development. The degree of approximation to the spectral distribution according to CIE Publication No. 85 depends on the type of lamp. Xenon-arc lamps and special metal halide lamps with suitable filters are regarded as adequate. Since the intensity and the spectral distribution change during service, the instructions of the suppliers as to how often the lamps have to be changed should be observed. Lamps with a spectral distribution which deviates from the natural light in parts of the spectrum, e.g. UV fluorescent lamps, may be used. The reference method, however, is based on lamps which represent the spectral distribution as defined in CIE Publication No. 85.

5.8 Black standard thermometer, which complies with the requirements outlined in 5.1.5 of ISO 4892-1:1999. Black-panel thermometers may also be used. Under given operating conditions they tend to indicate lower temperatures than the black standard thermometers. The temperature difference between the measurements will depend on the test temperature, but can be up to 10 °C.

Readings shall only be taken after sufficient time has elapsed for the temperature to become steady. The temperature shall be controlled, e.g. by adjusting the air exchange rate.

5.9 Extension machine, with recording device, capable of extending the specimens at a rate of $(5,5 \pm 0,7)$ mm/min.

5.10 Spacers, with a width of 19,2 mm or 24,0 mm, to hold the specimens at an elongation of 60 % or 100 %, respectively.

5.11 Measuring device, scaled in 0,5 mm.

6 Preparation of specimens

The sealant and the glass shall be brought to (23 ± 2) °C before preparation of the specimens. Three specimens shall be prepared.

For each specimen, two substrates (5.1) and two spacers (5.2) shall be assembled (see Figure 1) and set up on the anti-adherent substrate (5.3).

The instructions of the sealant manufacturer concerning, for instance, whether a primer is to be used, and the mixing procedure for multi-component sealants, shall be followed.

The hollow volume formed by the substrates and spacers shall be filled with the sealant. The following precautions shall be taken:

- a) the formation of air bubbles shall be avoided;
- b) the sealant shall be pressed to the contact surfaces of the substrates;
- c) the sealant surface shall be trimmed so that it is flush with the faces of the substrates and spacers.

The specimens shall be set on edge on one of the supports. The anti-adherent substrate shall be removed as soon as possible. The spacers shall remain in place for 28 days. The test specimens shall rest in this position to allow curing or optimum drying of the sealant.

7 Conditioning

7.1 General

The specimens shall be conditioned either in accordance with method A or method B, as agreed between the parties concerned.

7.2 Method A

The specimens shall be conditioned for 28 days at (23 ± 2) °C and (50 ± 5) % relative humidity.

7.3 Method B

The specimens shall be conditioned according to method A and then subjected three times to the following storage cycle:

- a) 3 days in the oven (5.4) at (70 ± 2) °C;
- b) 1 day in a container (5.5) filled with demineralized or distilled water at a temperature of (23 ± 2) °C;
- c) 2 days in the oven (5.4) at (70 ± 2) °C;
- d) 1 day in a container (5.5) filled with demineralized or distilled water at a temperature of (23 ± 2) °C.

Alternatively, this cycle may be performed in the order c) – d) then a) – b).

NOTE Method B is a commonly used conditioning procedure using the influence of heat and water. It is not suitable for giving information on the durability of the sealant.

8 Test procedures

8.1 General

After conditioning and removal of the spacers, the specimens shall be exposed to the artificial weathering cycle, either using the automatic or the manual procedure, as agreed by the parties concerned.

8.2 Exposure conditions

8.2.1 General

The three test specimens shall be stored in the test chamber (5.6), and the cyclic weathering conditions as defined in 8.2.2 or 8.2.3 shall be applied.

8.2.2 Automatic cycling

The standard conditions of test are 500 h of exposure, made up of 250 cycles. Each cycle is 120 min, consisting of the following:

- a dry period of 102 min, in which the specimens are exposed to the radiation and heat; from the start of the dry period the temperature is allowed to rise, until it reaches a steady temperature of (65 ± 5) °C, as measured on the black standard thermometer (see 5.8);
- a wet period of 18 min, which is either water spraying or immersion in water; the initial water temperature shall be (25 ± 3) °C and shall not be allowed to rise above 33 °C during the testing. During the wet period the light may be switched off.

8.2.3 Manual cycling

The specimens shall be transferred manually between the dry phase chamber and the wet phase chamber. For this type of cyclic exposure, immersion in water is used. To ensure that the same surface of the specimens is always exposed to the radiation, one surface shall be marked.

The standard conditions of test are 504 h of exposure, made up of three cycles. Each cycle is 168 h consisting of:

- a period of 5 days, each day consisting of 5 h of immersion in water at (25 ± 3) °C and 19 h of exposure to radiation at (65 ± 5) °C as measured on the black standard thermometer;
- a period of 48 h with exposure to radiation at (65 ± 5) °C as measured on the black standard thermometer.

8.3 Elongation of the specimens

After exposure to the artificial weathering cycle, the specimens shall be stored for 24 h at (23 ± 2) °C and (50 ± 5) % relative humidity.

Subsequently, the specimens shall be placed on the extension machine (5.9) and elongated for 60 % or 100 %, or any other percentage of their initial width as agreed by the parties concerned, at a rate of $(5,5 \pm 0,7)$ mm/min. The elongation shall be maintained for 24 h using the appropriate spacers (5.10).

Table 1 gives the joint widths, l_1 , in millimetres, after elongation of the test specimens having an initial width of 12 mm.

After testing, the test specimens shall be examined for evidence of loss of adhesion and/or cohesion. The depth of any loss of adhesion or cohesion shall be measured, using a suitable measuring device (5.11) capable of reading to 0,5 mm.

Table 1 — Joint widths after extension

Elongation %	Final joint width, l_1 mm
60	19,2
100	24,0

9 Test report

The test report shall include the following information:

- a) name of test laboratory and test date;
- b) reference to this International Standard;
- c) name, type (chemical family) and colour of the sealant;
- d) batch of sealant from which test specimens were produced;
- e) the primer used, if applicable;
- f) method of conditioning used (see clause 7);
- g) test procedure used (kind of exposure cycle, type of lamp, intensity of light, and whether water spray or immersion in water was applied, see 8.2); if the light was left on in the wet period (8.2.2), this should be stated;
- h) elongation used (see 8.3);
- i) details of any loss of adhesion and/or cohesion;
- j) any deviations from the specified test conditions.

Annex ZA (normative)

Normative references to international publications with their relevant European publications

This European Standard incorporates by dated or undated reference, provisions from other publications. These normative references are cited at the appropriate places in the text and the publications are listed hereafter. For dated references, subsequent amendments to or revisions of any of these publications apply to this European Standard only when incorporated in it by amendment or revision. For undated references the latest edition of the publication referred to applies (including amendments).

NOTE Where an International Publication has been modified by common modifications, indicated by (mod.), the relevant EN/HD applies.

<u>Publication</u>	<u>Year</u>	<u>Title</u>	<u>EN</u>	<u>Year</u>
ISO 4892-1	1999	Plastics - Methods of exposure to laboratory light sources - Part 1: General guidance	EN ISO 4892-1	2000
ISO 4892-2	1994	Plastics - Methods of exposure to laboratory light sources - Part 2: Xenon-arc sources	EN ISO 4892-2	1999
ISO 6927	1981	Building construction - Jointing products - Sealants - Vocabulary	EN 26927	1990

BSI — British Standards Institution

BSI is the independent national body responsible for preparing British Standards. It presents the UK view on standards in Europe and at the international level. It is incorporated by Royal Charter.

Revisions

British Standards are updated by amendment or revision. Users of British Standards should make sure that they possess the latest amendments or editions.

It is the constant aim of BSI to improve the quality of our products and services. We would be grateful if anyone finding an inaccuracy or ambiguity while using this British Standard would inform the Secretary of the technical committee responsible, the identity of which can be found on the inside front cover.
Tel: +44 (0)20 8996 9000. Fax: +44 (0)20 8996 7400.

BSI offers members an individual updating service called PLUS which ensures that subscribers automatically receive the latest editions of standards.

Buying standards

Orders for all BSI, international and foreign standards publications should be addressed to Customer Services. Tel: +44 (0)20 8996 9001.
Fax: +44 (0)20 8996 7001. Email: orders@bsi-global.com. Standards are also available from the BSI website at <http://www.bsi-global.com>.

In response to orders for international standards, it is BSI policy to supply the BSI implementation of those that have been published as British Standards, unless otherwise requested.

Information on standards

BSI provides a wide range of information on national, European and international standards through its Library and its Technical Help to Exporters Service. Various BSI electronic information services are also available which give details on all its products and services. Contact the Information Centre.
Tel: +44 (0)20 8996 7111. Fax: +44 (0)20 8996 7048. Email: info@bsi-global.com.

Subscribing members of BSI are kept up to date with standards developments and receive substantial discounts on the purchase price of standards. For details of these and other benefits contact Membership Administration.
Tel: +44 (0)20 8996 7002. Fax: +44 (0)20 8996 7001.
Email: membership@bsi-global.com.

Information regarding online access to British Standards via British Standards Online can be found at <http://www.bsi-global.com/bsonline>.

Further information about BSI is available on the BSI website at <http://www.bsi-global.com>.

Copyright

Copyright subsists in all BSI publications. BSI also holds the copyright, in the UK, of the publications of the international standardization bodies. Except as permitted under the Copyright, Designs and Patents Act 1988 no extract may be reproduced, stored in a retrieval system or transmitted in any form or by any means – electronic, photocopying, recording or otherwise – without prior written permission from BSI.

This does not preclude the free use, in the course of implementing the standard, of necessary details such as symbols, and size, type or grade designations. If these details are to be used for any other purpose than implementation then the prior written permission of BSI must be obtained.

Details and advice can be obtained from the Copyright & Licensing Manager.
Tel: +44 (0)20 8996 7070. Fax: +44 (0)20 8996 7553.
Email: copyright@bsi-global.com.