

BS EN ISO 11210:2016



BSI Standards Publication

**Jewellery — Determination
of platinum in platinum
jewellery alloys —
Gravimetric method after
precipitation of diammonium
hexachloroplatinate
(ISO 11210:2014)**

National foreword

This British Standard is the UK implementation of EN ISO 11210:2016. It is identical to ISO 11210:2014. It supersedes BS EN ISO 11210:1995 which is withdrawn.

The UK participation in its preparation was entrusted to Technical Committee STI/53, Specifications and test methods for jewellery and horology.

A list of organizations represented on this committee can be obtained on request to its secretary.

This publication does not purport to include all the necessary provisions of a contract. Users are responsible for its correct application.

© The British Standards Institution 2016.
Published by BSI Standards Limited 2016

ISBN 978 0 580 96189 2

ICS 39.060

Compliance with a British Standard cannot confer immunity from legal obligations.

This British Standard was published under the authority of the Standards Policy and Strategy Committee on 31 October 2016.

Amendments/corrigenda issued since publication

| Date | Text affected |
|------|---------------|
|------|---------------|

EUROPEAN STANDARD

EN ISO 11210

NORME EUROPÉENNE

EUROPÄISCHE NORM

October 2016

ICS 39.060

Supersedes EN ISO 11210:1995

English Version

**Jewellery - Determination of platinum in platinum
jewellery alloys - Gravimetric method after precipitation of
diammonium hexachloroplatinate (ISO 11210:2014)**

Joaillerie, bijouterie - Dosage du platine dans les
alliages de platine pour la bijouterie-joaillerie -
Méthode gravimétrique après précipitation de
l'hexachloroplatinate de diammonium (ISO
11210:2014)

Schmuck - Bestimmung von Platin in Platin-
Schmucklegierungen - Gravimetrische Bestimmung
durch Fällung als Diammoniumhexachloroplatinat (ISO
11210:2014)

This European Standard was approved by CEN on 26 August 2016.

CEN members are bound to comply with the CEN/CENELEC Internal Regulations which stipulate the conditions for giving this European Standard the status of a national standard without any alteration. Up-to-date lists and bibliographical references concerning such national standards may be obtained on application to the CEN-CENELEC Management Centre or to any CEN member.

This European Standard exists in three official versions (English, French, German). A version in any other language made by translation under the responsibility of a CEN member into its own language and notified to the CEN-CENELEC Management Centre has the same status as the official versions.

CEN members are the national standards bodies of Austria, Belgium, Bulgaria, Croatia, Cyprus, Czech Republic, Denmark, Estonia, Finland, Former Yugoslav Republic of Macedonia, France, Germany, Greece, Hungary, Iceland, Ireland, Italy, Latvia, Lithuania, Luxembourg, Malta, Netherlands, Norway, Poland, Portugal, Romania, Slovakia, Slovenia, Spain, Sweden, Switzerland, Turkey and United Kingdom.



EUROPEAN COMMITTEE FOR STANDARDIZATION
COMITÉ EUROPÉEN DE NORMALISATION
EUROPÄISCHES KOMITEE FÜR NORMUNG

CEN-CENELEC Management Centre: Avenue Marnix 17, B-1000 Brussels

European foreword

The text of ISO 11210:2014 has been prepared by Technical Committee ISO/TC 174 "Jewellery" of the International Organization for Standardization (ISO) and has been taken over as EN ISO 11210:2016.

This European Standard shall be given the status of a national standard, either by publication of an identical text or by endorsement, at the latest by April 2017, and conflicting national standards shall be withdrawn at the latest by April 2017.

Attention is drawn to the possibility that some of the elements of this document may be the subject of patent rights. CEN [and/or CENELEC] shall not be held responsible for identifying any or all such patent rights.

This document supersedes EN ISO 11210:1995.

According to the CEN-CENELEC Internal Regulations, the national standards organizations of the following countries are bound to implement this European Standard: Austria, Belgium, Bulgaria, Croatia, Cyprus, Czech Republic, Denmark, Estonia, Finland, Former Yugoslav Republic of Macedonia, France, Germany, Greece, Hungary, Iceland, Ireland, Italy, Latvia, Lithuania, Luxembourg, Malta, Netherlands, Norway, Poland, Portugal, Romania, Slovakia, Slovenia, Spain, Sweden, Switzerland, Turkey and the United Kingdom.

Endorsement notice

The text of ISO 11210:2014 has been approved by CEN as EN ISO 11210:2016 without any modification.

Contents

| | Page |
|---|----------|
| Foreword | iv |
| Introduction | v |
| 1 Scope | 1 |
| 2 Normative references | 1 |
| 3 Principle | 1 |
| 4 Reagents | 1 |
| 5 Apparatus | 2 |
| 6 Sampling | 2 |
| 7 Procedure | 2 |
| 7.1 Platinum jewellery alloys with less than 5 % iridium, rhodium, ruthenium, or tungsten ... | 2 |
| 7.2 Platinum jewellery alloys with more than 5 % iridium, rhodium, or ruthenium, or more than 0,5 % gold | 3 |
| 8 Methods of calculation and expression of results | 3 |
| 8.1 Calculation | 3 |
| 8.2 Repeatability | 4 |
| 9 Test report | 4 |
| Annex A (informative) Reduction apparatus according to Rose | 5 |
| Bibliography | 6 |

Foreword

ISO (the International Organization for Standardization) is a worldwide federation of national standards bodies (ISO member bodies). The work of preparing International Standards is normally carried out through ISO technical committees. Each member body interested in a subject for which a technical committee has been established has the right to be represented on that committee. International organizations, governmental and non-governmental, in liaison with ISO, also take part in the work. ISO collaborates closely with the International Electrotechnical Commission (IEC) on all matters of electrotechnical standardization.

The procedures used to develop this document and those intended for its further maintenance are described in the ISO/IEC Directives, Part 1. In particular the different approval criteria needed for the different types of ISO documents should be noted. This document was drafted in accordance with the editorial rules of the ISO/IEC Directives, Part 2 (see www.iso.org/directives).

Attention is drawn to the possibility that some of the elements of this document may be the subject of patent rights. ISO shall not be held responsible for identifying any or all such patent rights. Details of any patent rights identified during the development of the document will be in the Introduction and/or on the ISO list of patent declarations received (see www.iso.org/patents).

Any trade name used in this document is information given for the convenience of users and does not constitute an endorsement.

For an explanation on the meaning of ISO specific terms and expressions related to conformity assessment, as well as information about ISO's adherence to the WTO principles in the Technical Barriers to Trade (TBT), see the following URL: [Foreword — Supplementary information](#).

The committee responsible for this document is ISO/TC 174, *Jewellery*.

This second edition cancels and replaces the first edition (ISO 11210:1995), which has been technically revised with the following changes:

- addition of an analytical balance in [Clause 5](#);
- change of requirement for sampling in [Clause 6](#);
- addition in [7.1](#) to allow dissolution in a sealed container under pressure;
- addition in [7.1](#) to allow drying of the crucibles in a programmable furnace;
- deletion of the temperature for reduction in [7.1](#);
- International Standard editorially revised.

Introduction

The following definitions apply in understanding how to implement an ISO International Standard and other normative ISO deliverables (TS, PAS, IWA).

- “shall” indicates a requirement
- “should” indicates a recommendation
- “may” is used to indicate that something is permitted
- “can” is used to indicate that something is possible, for example, that an organization or individual is able to do something

ISO/IEC Directives, Part 2 (sixth edition, 2011), 3.3.1 defines a requirement as an “expression in the content of a document conveying criteria to be fulfilled if compliance with the document is to be claimed and from which no deviation is permitted.”

ISO/IEC Directives, Part 2 (sixth edition, 2011), 3.3.2 defines a recommendation as an “expression in the content of a document conveying that among several possibilities, one is recommended as particularly suitable, without mentioning or excluding others, or that a certain course of action is preferred but not necessarily required, or that (in the negative form) a certain possibility or course of action is deprecated but not prohibited.”

Jewellery — Determination of platinum in platinum jewellery alloys — Gravimetric method after precipitation of diammonium hexachloroplatinate

1 Scope

This International Standard specifies a gravimetric method for the determination of platinum in platinum jewellery alloys, preferably within the range of fineness stated in ISO 9202.

These alloys can contain palladium, iridium, rhodium, copper, cobalt, gold, ruthenium, gallium, chromium, indium, and less than 5 % tungsten. Some modifications are indicated where palladium, iridium, rhodium, gold, or ruthenium are present.

2 Normative references

The following documents, in whole or in part, are normatively referenced in this document and are indispensable for its application. For dated references, only the edition cited applies. For undated references, the latest edition of the referenced document (including any amendments) applies.

ISO 11596, *Jewellery — Sampling of precious metal alloys for and in jewellery and associated products*

3 Principle

The sample is dissolved in aqua regia. After converting the sample solution to a slightly acid medium, the platinum is precipitated as diammonium hexachloroplatinate. The precipitate is converted to metallic platinum. Coprecipitated alloying elements are tested in the re-dissolved platinum sponge and measured using, for example, an atomic absorption spectrometer (AAS) or an inductively coupled plasma optical emission spectrometer (ICP-OES), and a correction applied.

4 Reagents

During the analysis, unless otherwise stated, use only reagents of recognized analytical grade and only distilled water or water of equivalent purity.

4.1 Hydrochloric acid (HCl), approximately 30 % to 37 % HCl (mass fraction).

4.2 Dilute hydrochloric acid, 18 % HCl (mass fraction).

4.3 Nitric acid (HNO₃), approximately 65 % to 69 % HNO₃ (mass fraction).

4.4 Ammonium chloride solution (NH₄Cl), cold saturated solution.

4.5 Reducing gas, such as hydrogen or a hydrogen/nitrogen mixture.

4.6 Inert gas, such as carbon dioxide or nitrogen.

4.7 Aqua regia, mix three volumes of hydrochloric acid ([4.1](#)) and one volume of nitric acid ([4.3](#)).

5 Apparatus

- 5.1 Ordinary laboratory apparatus.
- 5.2 Reduction apparatus, see [Figure A.1](#).
- 5.3 AAS or ICP-OES, capable of determining traces of metals.
- 5.4 Muffle furnace, capable of attaining at least 1 000 °C.
- 5.5 Ashless filter paper, capable of retaining 3 µm particles.
- 5.6 Analytical balance, with a reading accuracy of 0,01 mg.

6 Sampling

The sampling procedure shall be performed in accordance with ISO 11596.

7 Procedure

WARNING — Suitable health and safety procedures should be followed.

7.1 Platinum jewellery alloys with less than 5 % iridium, rhodium, ruthenium, or tungsten

Weigh the sample containing approximately 250 mg to 300 mg of platinum, accurately to the nearest 0,01 mg, and transfer it to a 100 ml glass beaker. Dissolve the sample in 20 ml of aqua regia ([4.7](#)) in the glass beaker covered with a watch glass, while heating gently, or in a sealed container under pressure.

Any insoluble material remaining after this procedure shall be filtered off at this stage and its composition established for possible correction of the results.

Evaporate the solution five times without letting the residue become dry and without exceeding a temperature of 90 °C, each time adding 2 ml of dilute hydrochloric acid ([4.2](#)) before recommencing evaporation.

If this temperature is exceeded, the platinum can be reduced to Pt(II) or even Pt(I) and require re-oxidation with approximately 0,1 ml of nitric acid ([4.3](#)). After the last evaporation, dissolve the still moist platinum salt in 1 ml of dilute hydrochloric acid ([4.2](#)) and add 4 ml of water. Add 40 ml of saturated ammonium chloride solution ([4.4](#)) at (85 ± 5) °C to this clear solution. The platinum is precipitated as yellow $(\text{NH}_4)_2[\text{PtCl}_6]$. The solution with the precipitated $(\text{NH}_4)_2[\text{PtCl}_6]$ is evaporated almost to dryness at this temperature. Further gentle heating shall continue until hydrogen chloride is no longer emitted. Allow to cool. Add just sufficient water while agitating to dissolve the residual ammonium chloride crystals.

Immediately filter the $(\text{NH}_4)_2[\text{PtCl}_6]$ precipitate over a filter paper ([5.5](#)) which has been moistened with ammonium chloride solution ([4.4](#)). Thoroughly wash the precipitate with ammonium chloride solution. Wipe the glass beaker and watch glass with a second filter paper. Check the filtrate for residual platinum by suitable means, such as an AAS or ICP-OES ([5.2](#)).

The filter paper containing the precipitate is folded into the second one, transferred to a porcelain crucible and covered with a thin layer (2 mm) of ammonium chloride. This crucible is then placed inside a covered crucible. Cautiously dry the contents of the crucibles on a hotplate which can be gradually adjusted or in a programmable furnace. By drying initially at 50 °C to 70 °C and heating subsequently to 340 °C, all ammonium chloride is lost. Ash the filter paper ([5.5](#)) and $(\text{NH}_4)_2[\text{PtCl}_6]$ residue at a temperature of 500 °C to 600 °C without a flame. Finally, remove the cover of the crucible and calcine in a muffle furnace

(5.4) for 1 h to 3 h at a temperature of 900 °C to 1 000 °C. To ensure complete decomposition, the solid in the crucible might need breaking into several pieces during calcination.

NOTE The ammonium chloride decomposes at 340 °C.

Significant absorption of oxygen can take place during ignition if palladium, iridium, ruthenium, rhodium, or copper are present in the platinum sponge. Oxidation can be avoided by calcining under reducing gas (4.5) followed by cooling under inert or reducing gas (4.6).

Weigh the platinum sponge obtained.

Measure the co precipitated elements by suitable means such as AAS or ICP-OES (5.3).

7.2 Platinum jewellery alloys with more than 5 % iridium, rhodium, or ruthenium, or more than 0,5 % gold

The procedure described results in the complete precipitation of the platinum in the sample. However, under certain conditions, some palladium might precipitate as tetrachloropalladate $(\text{NH}_4)_2[\text{PdCl}_4]$ with the $(\text{NH}_4)_2[\text{PtCl}_6]$ and iridium, rhodium, and ruthenium might co precipitate. In addition, gold, if present in quantities in excess of about 5 parts per thousand, can precipitate as diammonium trichloroaurate $(\text{NH}_4)_2[\text{AuCl}_3]$ with ammonium chloride. Copper also has a tendency to precipitate in solutions with a high concentration of ammonium chloride.

The presence of those impurities in the final platinum sponge weighed can be identified following dissolution in 20 ml of aqua regia (4.7), using, for example, AAS or ICP-OES (5.3).

If more than 0,5 % gold is present in the sample, it shall be separated before the precipitation of platinum. This is done by a reductive precipitation with sulfur dioxide in the hydrochloric acid solution after the nitric acid has been driven off. Sulfur dioxide gas is passed through the solution until no more gold precipitates. The precipitate is filtered off and can be weighed, if required.

If platinum alloys contain more than 10 % iridium or rhodium or more than 5 % ruthenium, dissolution of the sample in the aqua regia (4.7) can require operating in a sealed container under pressure.

Ruthenium shall be removed from the resulting solution, before the stage when platinum is precipitated, by passing chlorine through the solution and by filtration of the precipitate.

8 Methods of calculation and expression of results

8.1 Calculation

If the final weighed mass exclusively contains platinum, calculate the platinum content, W_{Pt} , in parts by mass per thousand (‰) using Formula (1):

$$W_{\text{Pt}} = \frac{m_3 + m_2}{m_1} \cdot 10^3 \quad (1)$$

where

m_1 is the mass of the sample, in milligrams;

m_2 is the mass of platinum contained in the filtrate, in milligrams;

m_3 is the final mass of the platinum sponge, in milligrams.

If the final weighed mass contains other elements, calculate the platinum content, W_{Pt} , in parts by mass per thousand (‰) using Formula (2):

$$W_{Pt} = \frac{m_3 + m_2 - m_x}{m_1} \cdot 10^3 \quad (2)$$

where

m_x is the total mass of other elements contained in the platinum sponge, in milligrams.

8.2 Repeatability

The results of duplicate determinations shall correspond to better than three parts per mass per thousand (‰) of platinum. If the variation is greater than this, the assays shall be repeated.

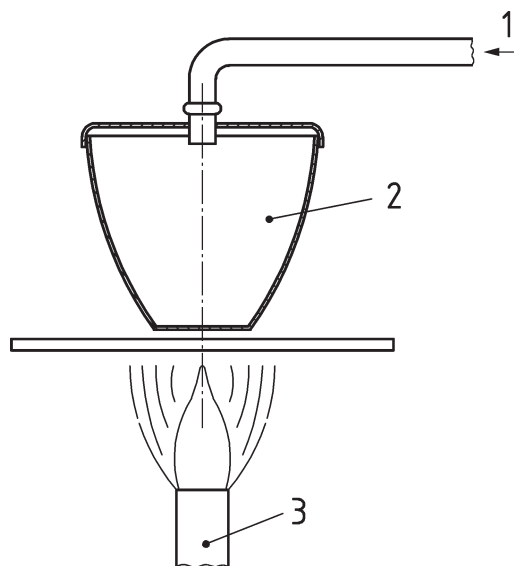
9 Test report

The test report shall include the following information:

- a) identification of the sample including source, date of receipt, form of sample;
- b) sampling procedure;
- c) method used by reference to this International Standard;
- d) platinum content of the sample, in parts per thousand (‰) by mass, as single values and mean values;
- e) if relevant, any deviations from the method specified in this International Standard;
- f) any unusual features observed during the determination;
- g) date of test;
- h) identification of the laboratory carrying out this analysis;
- i) signature of the laboratory manager and operator.

Annex A (informative)

Reduction apparatus according to Rose



Key

- 1 gas flow
- 2 lidded Rose crucible
- 3 gas burner

Figure A.1 — Reduction apparatus

Bibliography

- [1] ISO 9202, *Jewellery — Fineness of precious metal alloys*

British Standards Institution (BSI)

BSI is the national body responsible for preparing British Standards and other standards-related publications, information and services.

BSI is incorporated by Royal Charter. British Standards and other standardization products are published by BSI Standards Limited.

About us

We bring together business, industry, government, consumers, innovators and others to shape their combined experience and expertise into standards-based solutions.

The knowledge embodied in our standards has been carefully assembled in a dependable format and refined through our open consultation process. Organizations of all sizes and across all sectors choose standards to help them achieve their goals.

Information on standards

We can provide you with the knowledge that your organization needs to succeed. Find out more about British Standards by visiting our website at bsigroup.com/standards or contacting our Customer Services team or Knowledge Centre.

Buying standards

You can buy and download PDF versions of BSI publications, including British and adopted European and international standards, through our website at bsigroup.com/shop, where hard copies can also be purchased.

If you need international and foreign standards from other Standards Development Organizations, hard copies can be ordered from our Customer Services team.

Copyright in BSI publications

All the content in BSI publications, including British Standards, is the property of and copyrighted by BSI or some person or entity that owns copyright in the information used (such as the international standardization bodies) and has formally licensed such information to BSI for commercial publication and use.

Save for the provisions below, you may not transfer, share or disseminate any portion of the standard to any other person. You may not adapt, distribute, commercially exploit, or publicly display the standard or any portion thereof in any manner whatsoever without BSI's prior written consent.

Storing and using standards

Standards purchased in soft copy format:

- A British Standard purchased in soft copy format is licensed to a sole named user for personal or internal company use only.
- The standard may be stored on more than 1 device provided that it is accessible by the sole named user only and that only 1 copy is accessed at any one time.
- A single paper copy may be printed for personal or internal company use only.

Standards purchased in hard copy format:

- A British Standard purchased in hard copy format is for personal or internal company use only.
- It may not be further reproduced – in any format – to create an additional copy. This includes scanning of the document.

If you need more than 1 copy of the document, or if you wish to share the document on an internal network, you can save money by choosing a subscription product (see 'Subscriptions').

Reproducing extracts

For permission to reproduce content from BSI publications contact the BSI Copyright & Licensing team.

Subscriptions

Our range of subscription services are designed to make using standards easier for you. For further information on our subscription products go to bsigroup.com/subscriptions.

With **British Standards Online (BSOL)** you'll have instant access to over 55,000 British and adopted European and international standards from your desktop. It's available 24/7 and is refreshed daily so you'll always be up to date.

You can keep in touch with standards developments and receive substantial discounts on the purchase price of standards, both in single copy and subscription format, by becoming a **BSI Subscribing Member**.

PLUS is an updating service exclusive to BSI Subscribing Members. You will automatically receive the latest hard copy of your standards when they're revised or replaced.

To find out more about becoming a BSI Subscribing Member and the benefits of membership, please visit bsigroup.com/shop.

With a **Multi-User Network Licence (MUNL)** you are able to host standards publications on your intranet. Licences can cover as few or as many users as you wish. With updates supplied as soon as they're available, you can be sure your documentation is current. For further information, email subscriptions@bsigroup.com.

Revisions

Our British Standards and other publications are updated by amendment or revision.

We continually improve the quality of our products and services to benefit your business. If you find an inaccuracy or ambiguity within a British Standard or other BSI publication please inform the Knowledge Centre.

Useful Contacts

Customer Services

Tel: +44 345 086 9001

Email (orders): orders@bsigroup.com

Email (enquiries): cservices@bsigroup.com

Subscriptions

Tel: +44 345 086 9001

Email: subscriptions@bsigroup.com

Knowledge Centre

Tel: +44 20 8996 7004

Email: knowledgecentre@bsigroup.com

Copyright & Licensing

Tel: +44 20 8996 7070

Email: copyright@bsigroup.com

BSI Group Headquarters

389 Chiswick High Road London W4 4AL UK