

BS EN ISO 10322-2:2016



BSI Standards Publication

Ophthalmic optics — Semi-finished spectacle lens blanks

Part 2: Specifications for progressive-power and degressive-power lens blanks (ISO 10322-2:2016)

bsi.

...making excellence a habit.™

National foreword

This British Standard is the UK implementation of EN ISO 10322-2:2016. It supersedes BS EN ISO 10322-2:2006 which is withdrawn.

The UK participation in its preparation was entrusted to Technical Committee CH/172/3, Spectacles.

A list of organizations represented on this committee can be obtained on request to its secretary.

This publication does not purport to include all the necessary provisions of a contract. Users are responsible for its correct application.

© The British Standards Institution 2016. Published by BSI Standards Limited 2016

ISBN 978 0 580 81059 6

ICS 11.040.70

Compliance with a British Standard cannot confer immunity from legal obligations.

This British Standard was published under the authority of the Standards Policy and Strategy Committee on 31 March 2016.

Amendments issued since publication

Date	Text affected
------	---------------

English Version

**Ophthalmic optics - Semi-finished spectacle lens blanks -
Part 2: Specifications for progressive-power and
degressive-power lens blanks (ISO 10322-2:2016)**

Optique ophtalmique - Verres de lunettes semi-finis -
Partie 2: Spécifications pour les verres progressifs et
dégressifs (ISO 10322-2:2016)

Augenoptik - Einseitig fertige Brillenglasblanks - Teil 2:
Anforderungen an Gleitsicht-Brillenglasblanks und
Brillenglasblanks für degressive Brillengläser (ISO
10322-2:2016)

This European Standard was approved by CEN on 2 January 2016.

CEN members are bound to comply with the CEN/CENELEC Internal Regulations which stipulate the conditions for giving this European Standard the status of a national standard without any alteration. Up-to-date lists and bibliographical references concerning such national standards may be obtained on application to the CEN-CENELEC Management Centre or to any CEN member.

This European Standard exists in three official versions (English, French, German). A version in any other language made by translation under the responsibility of a CEN member into its own language and notified to the CEN-CENELEC Management Centre has the same status as the official versions.

CEN members are the national standards bodies of Austria, Belgium, Bulgaria, Croatia, Cyprus, Czech Republic, Denmark, Estonia, Finland, Former Yugoslav Republic of Macedonia, France, Germany, Greece, Hungary, Iceland, Ireland, Italy, Latvia, Lithuania, Luxembourg, Malta, Netherlands, Norway, Poland, Portugal, Romania, Slovakia, Slovenia, Spain, Sweden, Switzerland, Turkey and United Kingdom.



EUROPEAN COMMITTEE FOR STANDARDIZATION
COMITÉ EUROPÉEN DE NORMALISATION
EUROPÄISCHES KOMITEE FÜR NORMUNG

CEN-CENELEC Management Centre: Avenue Marnix 17, B-1000 Brussels

European Foreword

This document (EN ISO 10322-2:2016) has been prepared by Technical Committee ISO/TC 172 “Optics and photonics” in collaboration with Technical Committee CEN/TC 170 “Ophthalmic optics” the secretariat of which is held by DIN.

This European Standard shall be given the status of a national standard, either by publication of an identical text or by endorsement, at the latest by September 2016, and conflicting national standards shall be withdrawn at the latest by September 2016.

Attention is drawn to the possibility that some of the elements of this document may be the subject of patent rights. CEN [and/or CENELEC] shall not be held responsible for identifying any or all such patent rights.

This document supersedes EN ISO 10322-2:2006.

According to the CEN-CENELEC Internal Regulations, the national standards organizations of the following countries are bound to implement this European Standard: Austria, Belgium, Bulgaria, Croatia, Cyprus, Czech Republic, Denmark, Estonia, Finland, Former Yugoslav Republic of Macedonia, France, Germany, Greece, Hungary, Iceland, Ireland, Italy, Latvia, Lithuania, Luxembourg, Malta, Netherlands, Norway, Poland, Portugal, Romania, Slovakia, Slovenia, Spain, Sweden, Switzerland, Turkey and the United Kingdom.

Endorsement notice

The text of ISO 10322-2:2016 has been approved by CEN as EN ISO 10322-2:2016 without any modification.

Contents

Page

Foreword	iv
Introduction	v
1 Scope	1
2 Normative references	1
3 Terms and definitions	1
4 Classification	1
5 Requirements	1
5.1 General.....	1
5.2 Optical requirements for the finished surface.....	1
5.2.1 General.....	1
5.2.2 Tolerances on the surface power.....	2
5.2.3 Tolerances on the surface addition power for progressive-power lens blanks.....	2
5.3 Geometrical tolerances.....	2
5.3.1 Tolerances on the size.....	2
5.3.2 Tolerances on thickness.....	3
5.4 Orientation requirement for polarizing lens blanks.....	3
6 Test methods	3
6.1 General.....	3
6.2 Determination of surface power.....	3
6.3 Surface addition power measurement for progressive-power lens blanks.....	3
6.3.1 General.....	3
6.3.2 Measurement.....	4
6.4 Inspection method for material and surface quality.....	4
7 Marking and identification	4
7.1 Marking.....	4
7.1.1 Permanent marking.....	4
7.1.2 Optional non-permanent marking.....	4
7.2 Identification required on the package.....	4
7.3 Information to be made available.....	5
8 Reference to this part of ISO 10322	5
Annex A (informative) Material and surface quality	6
Annex B (informative) Conversion of surface power tolerances from the refractive index of the lens blank to that of an instrument's fixed reference	7
Annex C (informative) Addition power measurement by transmission	8
Bibliography	9

Foreword

ISO (the International Organization for Standardization) is a worldwide federation of national standards bodies (ISO member bodies). The work of preparing International Standards is normally carried out through ISO technical committees. Each member body interested in a subject for which a technical committee has been established has the right to be represented on that committee. International organizations, governmental and non-governmental, in liaison with ISO, also take part in the work. ISO collaborates closely with the International Electrotechnical Commission (IEC) on all matters of electrotechnical standardization.

The procedures used to develop this document and those intended for its further maintenance are described in the ISO/IEC Directives, Part 1. In particular the different approval criteria needed for the different types of ISO documents should be noted. This document was drafted in accordance with the editorial rules of the ISO/IEC Directives, Part 2 (see www.iso.org/directives).

Attention is drawn to the possibility that some of the elements of this document may be the subject of patent rights. ISO shall not be held responsible for identifying any or all such patent rights. Details of any patent rights identified during the development of the document will be in the Introduction and/or on the ISO list of patent declarations received (see www.iso.org/patents).

Any trade name used in this document is information given for the convenience of users and does not constitute an endorsement.

For an explanation on the meaning of ISO specific terms and expressions related to conformity assessment, as well as information about ISO's adherence to the WTO principles in the Technical Barriers to Trade (TBT) see the following URL: [Foreword - Supplementary information](#).

The committee responsible for this document is ISO/TC 172, *Optics and photonics*, Subcommittee SC 7, *Ophthalmic optics and instruments*.

This fourth edition cancels and replaces the third edition (ISO 10322-2:2006), which has been technically revised.

ISO 10322 consists of the following parts, under the general title *Ophthalmic optics — Semi-finished spectacle lens blanks*:

- *Part 1: Specifications for single-vision and multifocal lens blanks*
- *Part 2: Specifications for progressive-power and degressive-power lens blanks*

Introduction

Compared with previous editions of this part of ISO 10322, the scope now includes degressive-power semi-finished lens blanks.

Ophthalmic optics — Semi-finished spectacle lens blanks —

Part 2: Specifications for progressive-power and degressive-power lens blanks

1 Scope

This part of ISO 10322 specifies requirements for the optical and geometrical properties of semi-finished lens blanks with finished progressive-power and degressive-power surfaces.

2 Normative references

The following documents, in whole or in part, are normatively referenced in this document and are indispensable for its application. For dated references, only the edition cited applies. For undated references, the latest edition of the referenced document (including any amendments) applies.

ISO 7944, *Optics and optical instruments — Reference wavelengths*

ISO 13666, *Ophthalmic optics — Spectacle lenses — Vocabulary*

3 Terms and definitions

For the purposes of this document, the terms and definitions given in ISO 13666 apply.

4 Classification

Semi-finished lens blanks (shortened to lens blanks in the remainder of this part of ISO 10322 for easier reading) are classified according to the finished surface as follows:

- a) single-vision lens blanks;
- b) multifocal lens blanks;
- c) progressive-power and degressive-power lens blanks.

5 Requirements

5.1 General

The tolerances shall apply at a temperature of $23\text{ °C} \pm 5\text{ °C}$.

5.2 Optical requirements for the finished surface

5.2.1 General

The optical tolerances shall apply to the manufacturer's stated values at the reference points of the lens blank at one of the reference wavelengths specified in ISO 7944.

The optical tolerances in [Table 1](#) and [Table 2](#) are expressed as surface power values, in dioptres, in the refractive index of the material of the lens blank being measured.

5.2.2 Tolerances on the surface power

The tolerances on the surface power as specified in [Table 1](#) shall apply at the distance reference point of progressive-power lenses and at the near reference point of degressive-power lenses and shall be measured using the method described in [6.2](#).

Table 1 — Tolerances on the surface power

Values in dioptres (D)

Surface power	Tolerance on the surface power $\frac{F_1 + F_2}{2}$	Tolerance on surface cylindrical power ^a $ F_1 - F_2 $
≥0,00 and ≤10,00	±0,09	0,09
>10,00 and ≤15,00	±0,12	0,12

NOTE F_1 and F_2 are the maximum and minimum values of the surface power expressed in the refractive index of the material.

^a Relative to zero, or to any intended surface cylindrical power of the lens blank's design.

5.2.3 Tolerances on the surface addition power for progressive-power lens blanks

The tolerances on the surface addition power as specified in [Table 2](#) shall apply at the reference points and shall be measured using the method described in [6.3](#).

Table 2 — Tolerances on the surface addition power

Values in dioptres (D)

Surface addition power	Tolerance
≤4,00	±0,12
>4,00	±0,18

5.3 Geometrical tolerances

5.3.1 Tolerances on the size

The sizes are classified as follows:

- a) nominal size (d_n): dimension(s), in millimetres, indicated by the manufacturer;
- b) effective size (d_e): actual dimension(s), in millimetres;
- c) usable size (d_u): dimension(s), in millimetres, of the area that is optically usable:
 - 1) effective size, d_e :
 $d_n - 1 \text{ mm} \leq d_e \leq d_n + 2 \text{ mm}$;
 - 2) usable size, d_u :
 $d_u \geq d_n - 1 \text{ mm}$ for $d_n \leq 65 \text{ mm}$;
 $d_u \geq d_n - 2 \text{ mm}$ for $d_n > 65 \text{ mm}$.

The tolerance on usable sizes does not apply to lens blanks for lenses with a carrier curve, such as lenticulars.

5.3.2 Tolerances on thickness

5.3.2.1 Centre thickness

The centre thickness, when measured at the geometric centre (unless otherwise stated by the manufacturer), shall be neither less than the minimum thickness stated by the manufacturer nor exceed this minimum thickness by more than 3 mm.

5.3.2.2 Edge thickness

When measured at the point stated by the manufacturer, the edge thickness shall be neither less than the minimum thickness stated by the manufacturer nor exceed this minimum thickness by more than 3 mm.

5.4 Orientation requirement for polarizing lens blanks

For polarizing lens blanks intended for sun glare attenuation, the plane of transmission shall be aligned to the permanent alignment reference markings at $90^\circ \pm 3^\circ$.

6 Test methods

6.1 General

Alternative measurement methods are acceptable if shown to perform equivalently to the reference test methods in [6.2](#) to [6.4](#).

6.2 Determination of surface power

Surface power at the reference point shall be determined using a suitable instrument capable of measuring surface power, by reflection, with an accuracy that is appropriate to the tolerances listed in [Table 1](#).

The optical tolerances in [Table 1](#) are expressed as surface power values, in dioptres, in the refractive index of the material of the lens blank being measured.

NOTE 1 Some surface power instruments allow setting of the reference refractive index to match that of the actual lens blank being measured. Conversion might be required to establish the tolerance values if the lens blank is measured with equipment calibrated for a different reference refractive index (see [Annex B](#)).

NOTE 2 It might be necessary to use a device that limits the aperture of measurement. The recommended range for the measurement aperture is 4 mm to 8 mm.

6.3 Surface addition power measurement for progressive-power lens blanks

6.3.1 General

Surface addition power shall be measured using a suitable instrument capable of measuring surface power, by reflection, with an accuracy that is appropriate to the tolerances listed in [Table 2](#). Measure the powers at the distance reference point and at the near reference point.

NOTE The test method for determining addition power requires the measurement of surface addition power.

When no surface measurement capability exists, an alternative method for addition power measurement using a focimeter is provided in [Annex C](#).

6.3.2 Measurement

The surface chosen for measurement shall be the progressive side. Measure the power at the near and distance reference points, and calculate the addition as the difference between the powers at these points. The powers at the distance and near reference points should be taken as the mean of the principal meridional surface powers.

6.4 Inspection method for material and surface quality

Material and surface quality can be assessed using the method in [Annex A](#).

7 Marking and identification

7.1 Marking

7.1.1 Permanent marking

The lens blank shall be permanently marked on the finished surface with at least the following:

- a) alignment reference markings comprising two marks located 34 mm apart, equidistant to a vertical plane through the fitting point or prism reference point; in special cases, the alignment reference marking may be applied only after finishing the second surface;
- b) for progressive-power lens blanks, an indication of the addition power in dioptres (under the temporal alignment reference mark); in special cases, the addition power marking may be applied only after finishing the second surface;

For degressive-power lens blanks, if available in more than one degression power, an appropriate indication shall be given by the manufacturer;

- c) indicator of the manufacturer or supplier, or the trade name or trademark.

7.1.2 Optional non-permanent marking

The following optional non-permanent marking is recommended:

- a) alignment reference marking;
- b) for progressive-power lens blanks, the indicator of the distance reference point;
- c) indicator of the near reference point;
- d) indicator of the fitting point;
- e) indicator of the prism reference point, where applicable.

7.2 Identification required on the package

The lens blank shall be supplied in a package. The package shall be labelled with at least the following information (see also [Clause 8](#)):

- a) nominal surface power, in dioptres;
- b) nominal surface cylindrical power, in dioptres, and orientation (if applicable);
- c) nominal size, in millimetres;
- d) colour (if not clear);
- e) identification of any coating;

- f) material of which the lens blank is made, its refractive index or the trade name indicating the material or equivalent;
- g) for progressive-power lens blanks, the addition power, in dioptres; for degressive-power lens blanks, if available in more than one degression power, an appropriate indicator;
- h) style designation or trade name or trademark;
- i) an indicator stating right or left lens (if applicable).

7.3 Information to be made available

The following information shall be available on request:

- a) minimum centre thickness, in millimetres, and, if not measured at the geometric centre, where it is measured (see [5.3.2.1](#));
- b) minimum edge thickness, in millimetres, and identification of the measurement point (see [5.3.2.2](#));
- c) radius of curvature both of the finished surface (measured at the distance reference point for progressive-power surfaces and at the near reference point for degressive-power surfaces) and of the unfinished surface, in millimetres;
- d) optical properties of the material;
- e) method of measurement of the addition power used by the manufacturer including reflection or transmission method, and if applicable, focimeter type;
- f) prism thinning (if applicable);
- g) centration chart for reconstruction of the non-permanent markings relative to the permanent markings;
- h) for surfaces with intended surface cylindrical power, the magnitude and orientation of the intended surface cylindrical power, and, if applicable, the tolerance on the direction of the cylinder axis.

8 Reference to this part of ISO 10322

If the manufacturer or supplier claims compliance with this part of ISO 10322, reference shall be made to ISO 10322-2, either on the package or in the available literature.

Annex A (informative)

Material and surface quality

A.1 Assessment

A.1.1 Finished surface

The lens blank should not exhibit any defect either internally or on the finished surface which might impair vision. Small isolated material and/or surface defects not likely to impair vision may be acceptable.

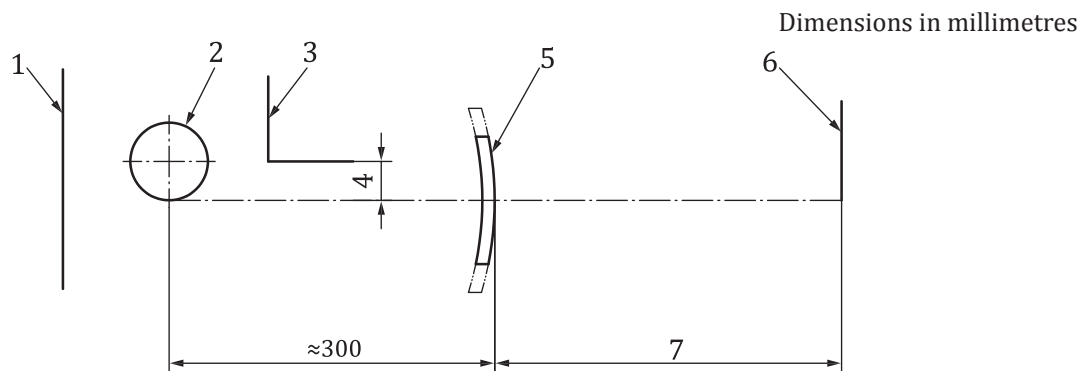
A.1.2 Unfinished surface

The surface quality of the unfinished surface should be sufficient to allow marking, inspection and measurement.

A.2 Test method

Carry out the inspection at a light/dark boundary and without the aid of magnifying optics. The recommended system is shown in [Figure A.1](#). Inspect the lens blank within a room with ambient lighting of about 200 lx. Use a source of at least 400 lm as an inspection lamp, for example a fluorescent tube of 15 W or a partly shaded 40 W incandescent clear lamp.

NOTE This observation is subjective and requires some experience.



Key

- | | | | |
|---|-----------------------------------|---|-----------------------------|
| 1 | matt black background (150 × 360) | 5 | movable lens blank |
| 2 | light source, ≥400 lm | 6 | plane of the observer's eye |
| 3 | diaphragm | 7 | unobstructed vision |
| 4 | adjustable opaque mask | | |

NOTE The diaphragm is adjusted to shield the eye from the light source and to allow the lens blank to be illuminated.

Figure A.1 — Recommended system for visually inspecting a lens blank for defects

Annex B (informative)

Conversion of surface power tolerances from the refractive index of the lens blank to that of an instrument's fixed reference

The surface power values and tolerances in this part of ISO 10322 are expressed as units of surface power in dioptres with respect to the refractive index of the material using Formula (B.1):

$$\text{Power (dioptres)} = \frac{(\text{Refractive index} - 1) \times 1\,000}{\text{Radius of curvature (mm)}} \quad (\text{B.1})$$

Some surface power instruments allow setting of the refractive index to match that of the actual lens blank. If only a single reference index, n_R , (e.g. 1,530) is used by the instrument, it might be necessary to use a conversion table such as the one below to determine the appropriate tolerance value. For example, if a material has a refractive index, n_S , of 1,660 and the surface power tolerance is $\pm 0,09$ D, then the error in radius giving this power error will generate a smaller power error indication when measured with an instrument set to a refractive index of 1,530. The values for the tolerance to be applied as indicated by the instrument, in this case, the reduced value of $\pm 0,072$ D shown in [Table B.1](#), are obtained using Formula (B.2):

$$\text{Tolerance to be applied} = \text{tolerance expressed in refractive index of blank material} \times \frac{(n_R - 1)}{(n_S - 1)} \quad (\text{B.2})$$

Table B.1 — Example of a table for tolerance value conversion for an instrument using a fixed reference refractive index of 1,530

Values in dioptres (D)

Tolerance expressed in the refractive index of blank material	Tolerance to be applied when instrument reference refractive index (n_R) is 1,530				
	Examples for the refractive index of the lens blank (n_S)				
	1,499	1,586	1,600	1,660	1,740
0,04	0,042	0,036	0,035	0,032	0,029
0,05	0,053	0,045	0,044	0,040	0,036
0,06	0,064	0,054	0,053	0,048	0,043
0,07	0,074	0,063	0,062	0,056	0,050
0,08	0,085	0,072	0,071	0,064	0,057
0,09	0,096	0,081	0,080	0,072	0,064
0,10	0,106	0,090	0,088	0,080	0,072
0,11	0,117	0,099	0,097	0,088	0,079
0,12	0,127	0,109	0,106	0,096	0,086
0,15	0,159	0,136	0,133	0,120	0,107
0,18	0,191	0,163	0,159	0,145	0,129
0,25	0,266	0,226	0,221	0,201	0,179

Annex C (informative)

Addition power measurement by transmission

C.1 General

This Annex is provided as an alternative addition power measurement method where a focimeter is used to determine addition power.

Addition power shall be measured using a focimeter meeting the requirements of ISO 8598-1.

The surface chosen for measurement shall be the progressive side unless otherwise stated by the manufacturer, in which case the specified surface shall be placed on the focimeter's lens support.

NOTE 1 Differences can occur between measurements made with different focimeters at points on a lens blank where prism is not zero. This is because of effects in the measurement, such as different focimeter designs, the non-linearity error of focimeters, the positioning of the lens blank, and the amount of tilt when the lens blank is placed on the support and the subjective focusing error.

NOTE 2 It might be necessary to use a device that limits the aperture of measurement. The recommended range for the measurement aperture is 4 mm to 8 mm.

C.2 Method

Place the lens blank so that the chosen surface is against the focimeter's lens support, centralize the lens blank at the near reference point and measure the near power.

Keeping the chosen surface against the focimeter support, centralize the lens blank at the distance reference point and measure the distance power.

Calculate the addition power as the difference between the near power and the distance power. Near power and distance power may be either the power measured using the nearer to vertical focal lines of the target or the spherical equivalent power.

The tolerances as specified in [Table 2](#) still apply to the transmitted addition power when using this method.

Bibliography

- [1] ISO 8598-1, *Optics and optical instruments — Focimeters — Part 1: General purpose instruments*

British Standards Institution (BSI)

BSI is the national body responsible for preparing British Standards and other standards-related publications, information and services.

BSI is incorporated by Royal Charter. British Standards and other standardization products are published by BSI Standards Limited.

About us

We bring together business, industry, government, consumers, innovators and others to shape their combined experience and expertise into standards-based solutions.

The knowledge embodied in our standards has been carefully assembled in a dependable format and refined through our open consultation process. Organizations of all sizes and across all sectors choose standards to help them achieve their goals.

Information on standards

We can provide you with the knowledge that your organization needs to succeed. Find out more about British Standards by visiting our website at bsigroup.com/standards or contacting our Customer Services team or Knowledge Centre.

Buying standards

You can buy and download PDF versions of BSI publications, including British and adopted European and international standards, through our website at bsigroup.com/shop, where hard copies can also be purchased.

If you need international and foreign standards from other Standards Development Organizations, hard copies can be ordered from our Customer Services team.

Subscriptions

Our range of subscription services are designed to make using standards easier for you. For further information on our subscription products go to bsigroup.com/subscriptions.

With **British Standards Online (BSOL)** you'll have instant access to over 55,000 British and adopted European and international standards from your desktop. It's available 24/7 and is refreshed daily so you'll always be up to date.

You can keep in touch with standards developments and receive substantial discounts on the purchase price of standards, both in single copy and subscription format, by becoming a **BSI Subscribing Member**.

PLUS is an updating service exclusive to BSI Subscribing Members. You will automatically receive the latest hard copy of your standards when they're revised or replaced.

To find out more about becoming a BSI Subscribing Member and the benefits of membership, please visit bsigroup.com/shop.

With a **Multi-User Network Licence (MUNL)** you are able to host standards publications on your intranet. Licences can cover as few or as many users as you wish. With updates supplied as soon as they're available, you can be sure your documentation is current. For further information, email bsmusales@bsigroup.com.

Revisions

Our British Standards and other publications are updated by amendment or revision.

We continually improve the quality of our products and services to benefit your business. If you find an inaccuracy or ambiguity within a British Standard or other BSI publication please inform the Knowledge Centre.

Copyright

All the data, software and documentation set out in all British Standards and other BSI publications are the property of and copyrighted by BSI, or some person or entity that owns copyright in the information used (such as the international standardization bodies) and has formally licensed such information to BSI for commercial publication and use. Except as permitted under the Copyright, Designs and Patents Act 1988 no extract may be reproduced, stored in a retrieval system or transmitted in any form or by any means – electronic, photocopying, recording or otherwise – without prior written permission from BSI. Details and advice can be obtained from the Copyright & Licensing Department.

Useful Contacts:

Customer Services

Tel: +44 845 086 9001

Email (orders): orders@bsigroup.com

Email (enquiries): cservices@bsigroup.com

Subscriptions

Tel: +44 845 086 9001

Email: subscriptions@bsigroup.com

Knowledge Centre

Tel: +44 20 8996 7004

Email: knowledgecentre@bsigroup.com

Copyright & Licensing

Tel: +44 20 8996 7070

Email: copyright@bsigroup.com

BSI Group Headquarters

389 Chiswick High Road London W4 4AL UK