

**Building
construction —
Jointing products —
Determination of
adhesion/cohesion
properties of sealants
at variable
temperatures**

ICS 91.100.50

National foreword

This British Standard is the UK implementation of EN ISO 9047:2003. It is identical with ISO 9047:2001, incorporating corrigendum April 2009. It supersedes BS EN ISO 9047:1998 which is withdrawn.

The UK participation in its preparation was entrusted to Technical Committee B/547, Sealants for building and construction.

A list of organizations represented on this committee can be obtained on request to its secretary.

This publication does not purport to include all the necessary provisions of a contract. Users are responsible for its correct application.

Compliance with a British Standard cannot confer immunity from legal obligations.

Amendments/corrigenda issued since publication

Date	Comments
31 August 2009	Implementation of ISO Corrigendum April 2009 – text/numerals amended in Clause 8, page 3

This British Standard was published under the authority of the Standards Policy and Strategy Committee on 30 May 2003

© BSI 2009

ISBN 978 0 580 67667 3

EUROPEAN STANDARD

EN ISO 9047

NORME EUROPÉENNE

EUROPÄISCHE NORM

May 2003

ICS 91.100.50

Supersedes EN ISO 9047:1997

English version

Building construction - Jointing products - Determination of adhesion/cohesion properties of sealants at variable temperatures (ISO 9047:2001)

Construction immobilière - Produits pour joints -
Détermination des propriétés d'adhésivité/cohésion des
mastics à température variable (ISO 9047:2001)

Hochbau - Fugendichtstoffe - Bestimmung des Haft- und
Dehnverhaltens von Dichtstoffen bei unterschiedlichen
Temperaturen (ISO 9047:2001)

This European Standard was approved by CEN on 28 February 2003.

CEN members are bound to comply with the CEN/CENELEC Internal Regulations which stipulate the conditions for giving this European Standard the status of a national standard without any alteration. Up-to-date lists and bibliographical references concerning such national standards may be obtained on application to the Management Centre or to any CEN member.

This European Standard exists in three official versions (English, French, German). A version in any other language made by translation under the responsibility of a CEN member into its own language and notified to the Management Centre has the same status as the official versions.

CEN members are the national standards bodies of Austria, Belgium, Czech Republic, Denmark, Finland, France, Germany, Greece, Hungary, Iceland, Ireland, Italy, Luxembourg, Malta, Netherlands, Norway, Portugal, Slovakia, Spain, Sweden, Switzerland and United Kingdom.



EUROPEAN COMMITTEE FOR STANDARDIZATION
COMITÉ EUROPÉEN DE NORMALISATION
EUROPÄISCHES KOMITEE FÜR NORMUNG

Management Centre: rue de Stassart, 36 B-1050 Brussels

Foreword

The text of ISO 9047:2001 has been prepared by Technical Committee ISO/TC 59 "Building construction" of the International Organization for Standardization (ISO) has been taken over as a European Standard by CMC.

This European Standard shall be given the status of a national standard, either by publication of an identical text or by endorsement, at the latest by November 2003, and conflicting national standards shall be withdrawn at the latest by November 2003.

This document supersedes EN ISO 9047:1997.

A separate European standard, EN 1279-4, is used for the testing of sealants for insulating glass units.

According to the CEN/CENELEC Internal Regulations, the national standards organizations of the following countries are bound to implement this European Standard: Austria, Belgium, Czech Republic, Denmark, Finland, France, Germany, Greece, Hungary, Iceland, Ireland, Italy, Luxembourg, Malta, Netherlands, Norway, Portugal, Slovakia, Spain, Sweden, Switzerland and the United Kingdom.

Endorsement notice

The text of ISO 9047:2001 has been approved by CEN as EN ISO 9047:2003 without any modifications.

NOTE Normative references to International Standards are listed in annex ZA (normative).

BS EN ISO 9047:2003
EN ISO 9047:2003

INTERNATIONAL STANDARD

ISO
9047

Second edition
2001-12-15

Building construction — Jointing products — Determination of adhesion/cohesion properties of sealants at variable temperatures

*Construction immobilière — Produits pour joints — Détermination des
propriétés d'adhésivité/cohésion des mastics à température variable*



Reference number
ISO 9047:2001(E)

Foreword

ISO (the International Organization for Standardization) is a worldwide federation of national standards bodies (ISO member bodies). The work of preparing International Standards is normally carried out through ISO technical committees. Each member body interested in a subject for which a technical committee has been established has the right to be represented on that committee. International organizations, governmental and non-governmental, in liaison with ISO, also take part in the work. ISO collaborates closely with the International Electrotechnical Commission (IEC) on all matters of electrotechnical standardization.

International Standards are drafted in accordance with the rules given in the ISO/IEC Directives, Part 3.

Draft International Standards adopted by the technical committees are circulated to the member bodies for voting. Publication as an International Standard requires approval by at least 75 % of the member bodies casting a vote.

Attention is drawn to the possibility that some of the elements of this International Standard may be the subject of patent rights. ISO shall not be held responsible for identifying any or all such patent rights.

International Standard ISO 9047 was prepared by Technical Committee ISO/TC 59, *Building construction*, Subcommittee SC 8, *Joining products*.

This second edition cancels and replaces the first edition (ISO 9047:1989), clause 5, subclauses 5.1 and 5.7 of which have been technically revised.

Building construction — Jointing products — Determination of adhesion/cohesion properties of sealants at variable temperatures

1 Scope

This International Standard specifies a method for the determination of the adhesion/cohesion properties of sealants with predominantly elastic behaviour which are used in joints in building construction.

2 Normative references

The following normative documents contain provisions which, through reference in this text, constitute provisions of this International Standard. For dated references, subsequent amendments to, or revisions of, any of these publications do not apply. However, parties to agreements based on this International Standard are encouraged to investigate the possibility of applying the most recent editions of the normative documents indicated below. For undated references, the latest edition of the normative document referred to applies. Members of ISO and IEC maintain registers of currently valid International Standards.

ISO 6927, *Building construction — Jointing products — Sealants — Vocabulary*

ISO 13640, *Building construction — Jointing products — Specifications for test substrates*

3 Terms and definitions

For the purposes of this International Standard, the terms and definitions given in ISO 6927 apply.

4 Principle

Test specimens are prepared in which the sealant to be tested adheres to two parallel contact surfaces. After submission to cycles of compression and extension under defined conditions, the test specimens are examined for evidence of loss of adhesion and cohesion.

5 Apparatus

5.1 Substrate materials, used for the preparation of test specimens, shall be as defined in ISO 13640.

Select the substrate material(s) from mortar and/or anodized aluminium and/or glass. Other substrate materials may be used as agreed by the parties concerned.

For each test specimen, two substrate pieces of the same material are required with a cross-section of dimensions as shown in Figures 1 and 2. Test substrates of other dimensions may be used, but then the dimensions of the sealant bead and the area of adhesion shall be the same as those shown in Figures 1 and 2.

5.2 Spacers, for the preparation of the test specimens, of cross-section 12 mm × 12 mm with anti-adherent surface (see Figures 1 and 2).

5.3 Anti-adherent substrate, for the preparation of test specimens, e.g. polyethylene (PE) film, preferably according to the advice of the sealant manufacturer.

5.4 Ventilated convection-type oven, capable of being maintained at $(70 \pm 2) ^\circ\text{C}$.

5.5 Refrigerated enclosure, capable of holding the test specimens during extension at a temperature of $(-20 \pm 2) ^\circ\text{C}$.

5.6 Container for water immersion of the specimen for conditioning according to method B.

5.7 Test machine, capable of extending and compressing the test specimens at a rate of $(5,5 \pm 0,7)$ mm/min.

5.8 Spacers for extension, capable of holding the specimens at an elongation of 12,5 %, 20 % or 25 % (see Table 1 for the width of the spacers), or any other elongation agreed between the parties concerned.

5.9 Spacers for compression, capable of holding the specimens at a compression of 12,5 %, 20 % or 25 % (see Table 1 for the width of the spacers), or any other compression agreed between the parties concerned.

5.10 Measuring device, scaled in intervals of 0,5 mm.

6 Preparation of test specimens

Bring the sealant and the substrate material to a temperature of $(23 \pm 2) ^\circ\text{C}$. For each substrate prepare three test specimens.

For each specimen, assemble two substrates (5.1) and two spacers (5.2) (see Figure 1) and set up on the anti-adherent substrate (5.3).

Follow the instructions of the sealant manufacturer concerning, for instance, whether a primer is to be used and the mixing procedure for multi-component sealants. Fill the hollow volume formed by the substrates with the sealant.

Take the following precautions:

- a) avoid the formation of air bubbles;
- b) press the sealant to the contact surfaces of the substrates;
- c) trim the sealant surface so that it is flush with the faces of the substrates and the spacers.

Set the test specimens at the edge of one of the supports. Remove the anti-adherent substrate as soon as possible. Rest the specimens in this position to allow curing or optimum drying of the sealant.

Maintain the spacers in place during conditioning.

7 Conditioning of test specimens

7.1 Conditioning method A

Condition the test specimens for 28 days at $(23 \pm 2) ^\circ\text{C}$ and (50 ± 5) % relative humidity.

7.2 Conditioning method B

First condition the test specimens according to method A and subsequently subject them three times to the following storage cycle:

- a) 3 days in the oven (5.4) at $(70 \pm 2) ^\circ\text{C}$;
- b) 1 day in distilled water (5.6) at $(23 \pm 2) ^\circ\text{C}$;
- c) 2 days in the oven (5.4) at $(70 \pm 2) ^\circ\text{C}$;
- d) 1 day in distilled water (5.6) at $(23 \pm 2) ^\circ\text{C}$.

Alternatively this cycle may be carried out in the sequence: c) — d) — a) — b).

NOTE Conditioning method B is a normal conditioning procedure using the influence of heat and water. It is not intended to give information on the durability of the sealant.

After conditioning according to method B, store the test specimens for a further period of between 24 h and 6 days at $(23 \pm 2) ^\circ\text{C}$ and $(50 \pm 5) \%$ relative humidity before testing.

8 Test procedure

Following the conditioning according to clause 7, remove the spacers.

The speed of extension and compression used in the test procedure is $(5,5 \pm 0,7)\text{mm/min}$. The amplitude of testing is $\pm 12,5 \%$ or $\pm 20 \%$ or $\pm 25 \%$, or any amplitude agreed by the parties concerned.

Table 1 — Correspondence of amplitude and width values

Amplitude %	Width after extension mm	Width after compression mm
± 25	15,0	9,0
± 20	14,4	9,6
$\pm 12,5$	13,5	10,5
NOTE Initial width 12 mm.		

Subject the test specimens to the following extension/compression cycles at the required amplitude.

First week

Day 1: Place the test specimens in the refrigerated enclosure (5.5) at $(-20 \pm 2) ^\circ\text{C}$. After 3 h extend the test specimens in the test machine (5.7) to the required amplitude. Maintain the extension at $(-20 \pm 2) ^\circ\text{C}$ for 21 h.

Day 2: Release the extension. Place the test specimens in the oven (5.4) at $(70 \pm 2) ^\circ\text{C}$. After 3 h compress the test specimens in the test machine (5.7) to the required amplitude. Maintain the compression at $(70 \pm 2) ^\circ\text{C}$ for 21 h.

Day 3: Release the compression and follow the procedure of Day 1.

Day 4: Follow the procedure of Day 2.

Day 5 to 7: Release the compression, store at $(23 \pm 2) ^\circ\text{C}$ and $(50 \pm 5) \%$ relative humidity without applying any mechanical force.

Second week

Repeat the procedure of the first week.

After the test specimens have been submitted to the above cycles, they are examined for loss of cohesion or adhesion. Measure the depth of any adhesive or cohesive failures using a suitable measuring device (5.10) capable of reading to 0,5 mm.

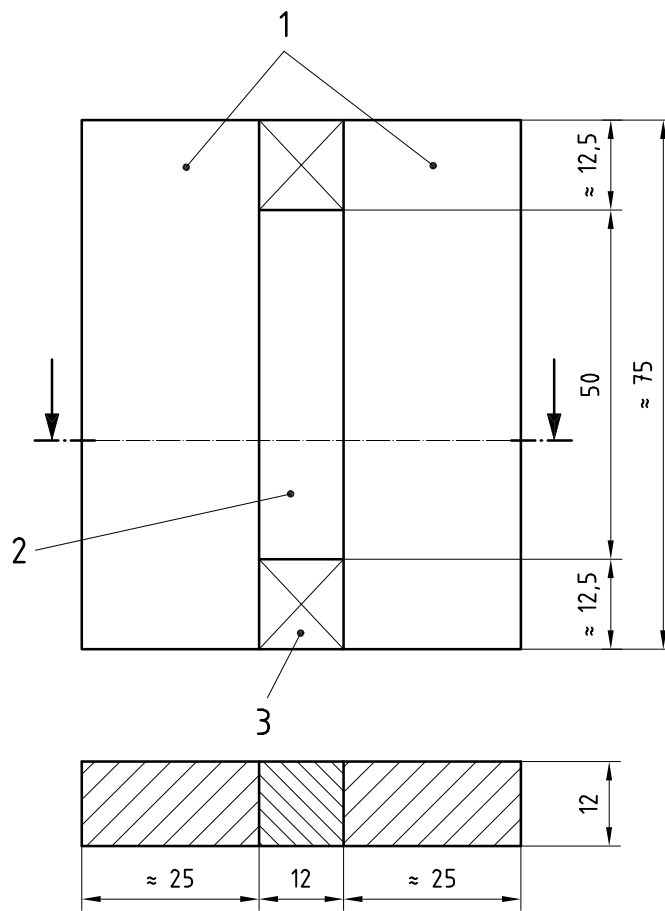
9 Test report

The test report shall contain the following information:

- laboratory's name and date of test;
- a reference to this International Standard;
- name, type (chemical family) and colour of sealant;
- batch of sealant from which the test specimens were produced;

- e) substrates used (see 5.1);
- f) primer(s) used, if applicable;
- g) method of conditioning (see clause 7);
- h) amplitude of the extension/compression cycling (see clause 8);
- i) depth and location of loss of adhesion and cohesion for each test specimen;
- j) any deviation from the procedure specified in this International Standard.

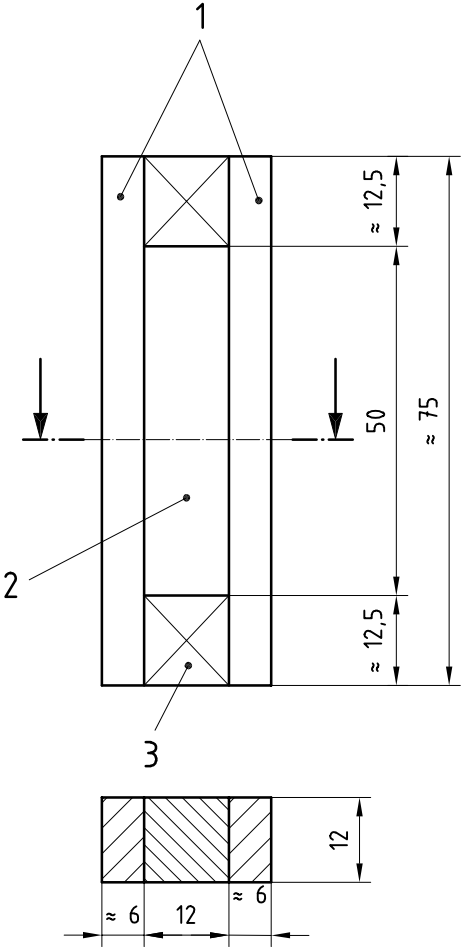
Dimensions in millimetres



- Key**
- 1 Concrete supports
 - 2 Sealant
 - 3 Spacer

Figure 1 — Test specimen with mortar substrates

Dimensions in millimetres



- Key**
- 1 Aluminium supports
 - 2 Sealant
 - 3 Spacer

Figure 2 — Test specimen with anodized aluminium or glass substrates

Annex ZA
(normative)

**Normative references to international publications
with their relevant European publications**

This European Standard incorporates by dated or undated reference, provisions from other publications. These normative references are cited at the appropriate places in the text and the publications are listed hereafter. For dated references, subsequent amendments to or revisions of any of these publications apply to this European Standard only when incorporated in it by amendment or revision. For undated references the latest edition of the publication referred to applies (including amendments).

NOTE Where an International Publication has been modified by common modifications, indicated by (mod.), the relevant EN/HD applies.

<u>Publication</u>	<u>Year</u>	<u>Title</u>	<u>EN</u>	<u>Year</u>
ISO 6927	1981	Building construction - Jointing products - Sealants - Vocabulary	EN 26927	1990

BSI - British Standards Institution

BSI is the independent national body responsible for preparing British Standards. It presents the UK view on standards in Europe and at the international level. It is incorporated by Royal Charter.

Revisions

British Standards are updated by amendment or revision. Users of British Standards should make sure that they possess the latest amendments or editions.

It is the constant aim of BSI to improve the quality of our products and services. We would be grateful if anyone finding an inaccuracy or ambiguity while using this British Standard would inform the Secretary of the technical committee responsible, the identity of which can be found on the inside front cover. Tel: +44 (0)20 8996 9000. Fax: +44 (0)20 8996 7400.

BSI offers members an individual updating service called PLUS which ensures that subscribers automatically receive the latest editions of standards.

Buying standards

Orders for all BSI, international and foreign standards publications should be addressed to Customer Services. Tel: +44 (0)20 8996 9001. Fax: +44 (0)20 8996 7001 Email: orders@bsigroup.com You may also buy directly using a debit/credit card from the BSI Shop on the Website <http://www.bsigroup.com/shop>

In response to orders for international standards, it is BSI policy to supply the BSI implementation of those that have been published as British Standards, unless otherwise requested.

Information on standards

BSI provides a wide range of information on national, European and international standards through its Library and its Technical Help to Exporters Service. Various BSI electronic information services are also available which give details on all its products and services. Contact Information Centre. Tel: +44 (0)20 8996 7111 Fax: +44 (0)20 8996 7048 Email: info@bsigroup.com

Subscribing members of BSI are kept up to date with standards developments and receive substantial discounts on the purchase price of standards. For details of these and other benefits contact Membership Administration. Tel: +44 (0)20 8996 7002 Fax: +44 (0)20 8996 7001 Email: membership@bsigroup.com

Information regarding online access to British Standards via British Standards Online can be found at <http://www.bsigroup.com/BSOL>

Further information about BSI is available on the BSI website at <http://www.bsigroup.com>

Copyright

Copyright subsists in all BSI publications. BSI also holds the copyright, in the UK, of the publications of the international standardization bodies. Except as permitted under the Copyright, Designs and Patents Act 1988 no extract may be reproduced, stored in a retrieval system or transmitted in any form or by any means – electronic, photocopying, recording or otherwise – without prior written permission from BSI.

This does not preclude the free use, in the course of implementing the standard, of necessary details such as symbols, and size, type or grade designations. If these details are to be used for any other purpose than implementation then the prior written permission of BSI must be obtained.

Details and advice can be obtained from the Copyright and Licensing Manager. Tel: +44 (0)20 8996 7070 Email: copyright@bsigroup.com