

BS EN ISO 9015-1:2011



BSI Standards Publication

Destructive tests on welds in metallic materials — Hardness testing

Part 1: Hardness test on arc welded joints
(ISO 9015-1:2001)

bsi.

...making excellence a habit.™

National foreword

This British Standard is the UK implementation of EN ISO 9015-1:2011. It is identical to ISO 9015-1:2001. It supersedes BS EN 1043-1:1996 which is withdrawn.

The UK participation in its preparation was entrusted to Technical Committee WEE/-/1, Briefing committee for welding.

A list of organizations represented on this committee can be obtained on request to its secretary.

This publication does not purport to include all the necessary provisions of a contract. Users are responsible for its correct application.

© BSI 2011

ISBN 978 0 580 72102 1

ICS 25.160.40

Compliance with a British Standard cannot confer immunity from legal obligations.

This British Standard was published under the authority of the Standards Policy and Strategy Committee on 31 May 2011.

Amendments issued since publication

Date	Text affected
------	---------------

English Version

Destructive tests on welds in metallic materials - Hardness testing - Part 1: Hardness test on arc welded joints (ISO 9015-1:2001)

Essais destructifs des soudures sur matériaux métalliques - Essais de dureté - Partie 1: Essai de dureté des assemblages soudés à l'arc (ISO 9015-1:2001)

Zerstörende Prüfung von Schweißverbindungen an metallischen Werkstoffen - Härteprüfung - Teil 1: Härteprüfung für Lichtbogenschweißverbindungen (ISO 9015-1:2001)

This European Standard was approved by CEN on 13 February 2011.

CEN members are bound to comply with the CEN/CENELEC Internal Regulations which stipulate the conditions for giving this European Standard the status of a national standard without any alteration. Up-to-date lists and bibliographical references concerning such national standards may be obtained on application to the CEN-CENELEC Management Centre or to any CEN member.

This European Standard exists in three official versions (English, French, German). A version in any other language made by translation under the responsibility of a CEN member into its own language and notified to the CEN-CENELEC Management Centre has the same status as the official versions.

CEN members are the national standards bodies of Austria, Belgium, Bulgaria, Croatia, Cyprus, Czech Republic, Denmark, Estonia, Finland, France, Germany, Greece, Hungary, Iceland, Ireland, Italy, Latvia, Lithuania, Luxembourg, Malta, Netherlands, Norway, Poland, Portugal, Romania, Slovakia, Slovenia, Spain, Sweden, Switzerland and United Kingdom.



EUROPEAN COMMITTEE FOR STANDARDIZATION
COMITÉ EUROPÉEN DE NORMALISATION
EUROPÄISCHES KOMITEE FÜR NORMUNG

Management Centre: Avenue Marnix 17, B-1000 Brussels

Foreword

The text of ISO 9015-1:2001 has been prepared by Technical Committee ISO/TC 44 "Welding and allied processes" of the International Organization for Standardization (ISO) and has been taken over as EN ISO 9015-1:2011 by Technical Committee CEN/TC 121 "Welding" the secretariat of which is held by DIN.

This European Standard shall be given the status of a national standard, either by publication of an identical text or by endorsement, at the latest by September 2011, and conflicting national standards shall be withdrawn at the latest by September 2011.

Attention is drawn to the possibility that some of the elements of this document may be the subject of patent rights. CEN [and/or CENELEC] shall not be held responsible for identifying any or all such patent rights.

This document supersedes EN 1043-1:1995.

According to the CEN/CENELEC Internal Regulations, the national standards organizations of the following countries are bound to implement this European Standard: Austria, Belgium, Bulgaria, Croatia, Cyprus, Czech Republic, Denmark, Estonia, Finland, France, Germany, Greece, Hungary, Iceland, Ireland, Italy, Latvia, Lithuania, Luxembourg, Malta, Netherlands, Norway, Poland, Portugal, Romania, Slovakia, Slovenia, Spain, Sweden, Switzerland and the United Kingdom.

Endorsement notice

The text of ISO 9015-1:2001 has been approved by CEN as a EN ISO 9015-1:2011 without any modification.

Contents		Page
Foreword		iv
1	Scope	1
2	Normative references	1
3	Principle	1
4	Symbols and terms	2
5	Preparation of test specimens	2
6	Test procedure	2
7	Test results	4
8	Test report	4
Annex A (informative) Example of a test report for hardness testing (R) on welded joints		13
Annex B (informative) Example of a test report for hardness testing (E) on welded joints		14

Foreword

ISO (the International Organization for Standardization) is a worldwide federation of national standards bodies (ISO member bodies). The work of preparing International Standards is normally carried out through ISO technical committees. Each member body interested in a subject for which a technical committee has been established has the right to be represented on that committee. International organizations, governmental and non-governmental, in liaison with ISO, also take part in the work. ISO collaborates closely with the International Electrotechnical Commission (IEC) on all matters of electrotechnical standardization.

International Standards are drafted in accordance with the rules given in the ISO/IEC Directives, Part 3.

Draft International Standards adopted by the technical committees are circulated to the member bodies for voting. Publication as an International Standard requires approval by at least 75 % of the member bodies casting a vote.

Attention is drawn to the possibility that some of the elements of this part of ISO 9015 may be the subject of patent rights. ISO shall not be held responsible for identifying any or all such patent rights.

International Standard ISO 9015-1 was prepared by Technical Committee ISO/TC 44, *Welding and allied processes*, Subcommittee SC 5, *Testing and inspection of welds*.

ISO 9015 consists of the following parts, under the general title *Destructive tests on welds in metallic materials — Hardness testing*:

- *Part 1: Hardness test on arc welded joints*
- *Part 2: Microhardness testing of welded joints*

Annexes A and B of this part of ISO 9015 are for information only.

Destructive tests on welds in metallic materials — Hardness testing —

Part 1: Hardness test on arc welded joints

1 Scope

This part of ISO 9015 specifies hardness tests on transverse sections of arc welded joints of metallic materials. It covers Vickers hardness tests in accordance with ISO 6507-1, normally with test loads of 49,03 N or 98,07 N (HV 5 or HV 10).

However, the principles may be applied to Brinell hardness testing (with appropriate testing loads of HB 2,5/15,625 or HB 1/2,5) in accordance with ISO 6506-1 and micro hardness testing in accordance with ISO 6507-1 and ISO 9015-2.

NOTE Testing should be carried out to ensure that the highest and the lowest level of hardness of both parent metal and weld metal is determined.

This part of ISO 9015 does not apply to test welds in austenitic stainless steels.

2 Normative references

The following normative documents contain provisions which, through reference in this text, constitute provisions of this part of ISO 9015. For dated references, subsequent amendments to, or revisions of, any of these publications do not apply. However, parties to agreements based on this part of ISO 9015 are encouraged to investigate the possibility of applying the most recent editions of the normative documents indicated below. For undated references, the latest edition of the normative document referred to applies. Members of ISO and IEC maintain registers of currently valid International Standards.

ISO 6506-1, *Metallic materials — Brinell hardness test — Part 1: Test method.*

ISO 6507-1, *Metallic materials — Vickers hardness test — Part 1: Test method.*

ISO 9015-2, *Destructive tests on welds in metallic materials — Hardness testing — Part 2: Microhardness testing on welded joints.*

3 Principle

The type and extent of testing shall be as specified by the relevant application standard or by agreement between the contracting parties.

Hardness testing shall be carried out in accordance with ISO 6507-1 or ISO 6506-1.

The hardness tests may be carried out in the form of rows of indentations, R, or as individual indentations, E.

When types of weld are not shown in the examples in Figures 1 and 2, the test procedure shall be appropriate to the welded joint.

Unless otherwise specified, the test shall be carried out at ambient temperature (23 ± 5) °C.

4 Symbols and terms

The symbols and terms to be used are specified in Table 1 and represented on Figures 1 to 8.

Table 1 — Symbols and terms

Symbol	Term	Unit
E	Individual indentation	—
R	Row of indentations	—
HV	Vickers hardness	a
HBW	Brinell hardness	b
<i>L</i>	Distance between the centrepoint of the indentations in heat affected zone	mm
<i>H</i>	Distance of rows of indentations from the surface reference line or fusion zone	mm
<i>t</i>	Thickness of test specimen	mm
<p>^a The unit of symbolisation for Vickers hardness is given in ISO 6507-1.</p> <p>^b The unit of symbolisation for Brinell hardness is given in ISO 6506-1.</p>		

5 Preparation of test specimens

The preparation of the test specimen shall be in accordance with ISO 6507-1 or ISO 6506-1.

A cross-section of test piece shall be taken by mechanical cutting, usually transverse to the welded joint.

This operation and the subsequent preparation of the surface shall be carried out carefully so that the hardness of the surface to be tested is not affected metallurgically.

The surface to be tested shall be properly prepared and preferably etched, so that accurate measurements of the indentations can be obtained in the different zones of the welded joint.

6 Test procedure

6.1 Rows of indentations (R)

Figures 1 to 7 give examples of hardness indentations made in rows including the distance from the surface in such a way that these rows or parts of them permit an assessment of the welded joint. If required by the contracting parties, additional rows of indentations and/or different locations may be made. The location shall be stated in the test report.

In metals such as aluminium, copper and their alloys, the rows on the root-side of butt welds [see Figure 2 a)] may be unnecessary. Typical rows for T-joints in these materials are given in Figure 2.

The number and spacing of indentations shall be sufficient to define hardened or softened regions due to welding. The recommended distance between the centrepoint of the indentations in the heat-affected zone (HAZ) is given in Table 2.

NOTE 1 Table 2 also applies with Brinell testing using the same distances provided appropriate loads are used.

Sufficient indentations shall be made to ensure that unaffected parent metal is tested. In the weld metal, the distance between indentations shall be selected and checked so that the results obtained will enable assessment of the welded joint to be made.

For metals which harden in the HAZ as a result of welding, two additional indentations in the HAZ shall be made at a distance $\leq 0,5$ mm between the centrepoint of the indentation and the fusion line (see Figures 3 to 7).

For other joint configurations or metals (e.g. austenitic steels) special requirements can be given by the relevant application standard or by agreement between the contracting parties.

NOTE 2 For electroslag welds, the loads given in Table 2 may be used. Rows of indentations for electroslag welds can be made similar to Figure 1 a).

Table 2 — Recommended distance, L , between the centrepoint of the indentations in the heat affected zone (HAZ)

Hardness symbol	Recommended distance between indentations	
	L mm ^a	
	Ferrous metals ^b	Aluminium, copper and their alloys
HV 5	0,7	2,5 to 5
HV 10	1	3 to 5
HBW 1/2,5	not applicable	2,5 to 5
HBW 2,5/15,625	not applicable	3 to 5
^a The distance of any indentation from the previous indentation shall be not less than the value allowed by ISO 6507-1 for the previous indentation. ^b Excluding austenitic steels.		

6.2 Individual indentations (E)

Figure 8 shows typical areas for the location of individual indentations. The series 1 to 4 gives information about the unaffected parent metal, the series 5-10 refers to the HAZ and the series 11 to 14 to the weld metal. Otherwise, the location of the indentation can be determined on the basis of metallographic examination.

To prevent the influence of deformation caused by an indentation, the minimum distance between the centrepoint of individual indentations in any direction shall be not less than 2,5 times the mean diagonal/diameter of the nearest adjacent indentation.

For metals which harden in the HAZ as a result of welding, at least one indentation shall be made in the HAZ at a distance $\leq 0,5$ mm between the centrepoint of the indentation and the fusion line.

For testing with individual indentations, the areas shall be numbered as shown in Figure 8.

7 Test results

The hardness values shall be recorded in relation to the position of the indentation.

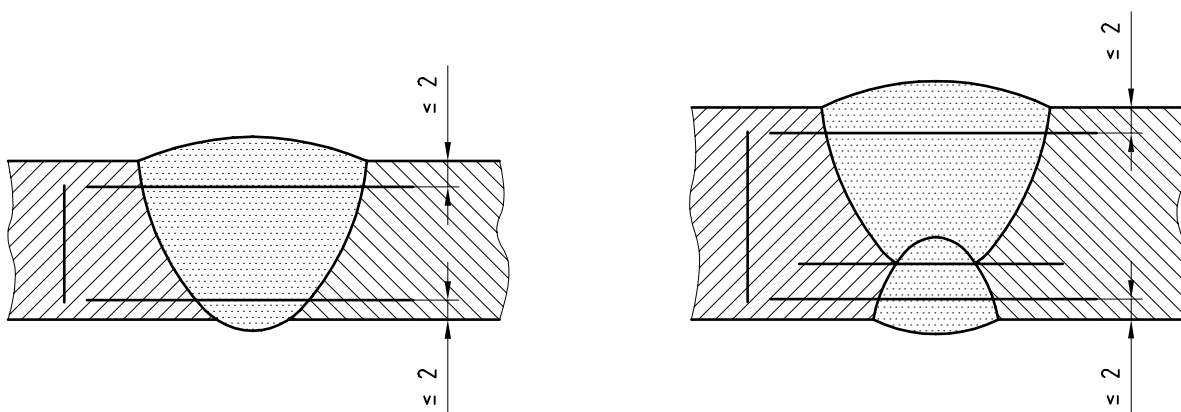
8 Test report

A test report is required. The information to be recorded is listed in annexes A and B.

The use of the format given in annexes A and B is recommended.

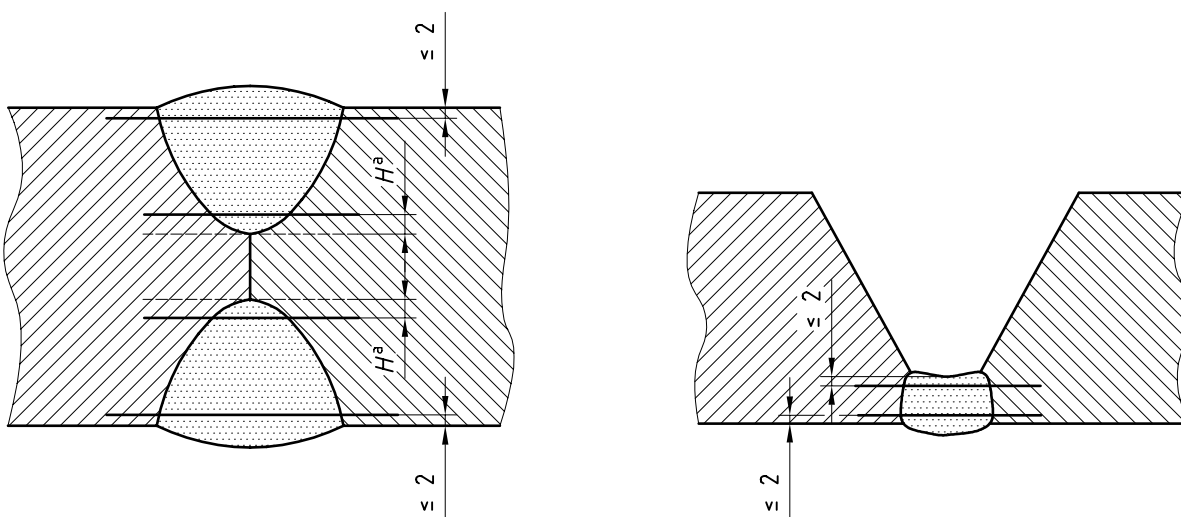
Other formats may be used provided they contain all the required information. Additional information may be required by the relevant application standard or by agreement between the contracting parties.

Dimensions in millimetres



a) Butt weld from one side only both single and multirun

b) Butt weld from both sides both single and multirun



a For multirun welds only.

c) Partial penetration butt weld from both sides both single and multirun

d) For assessment of hardenability on single run root runs (e.g. for TIG weld on pipe and/or plate)

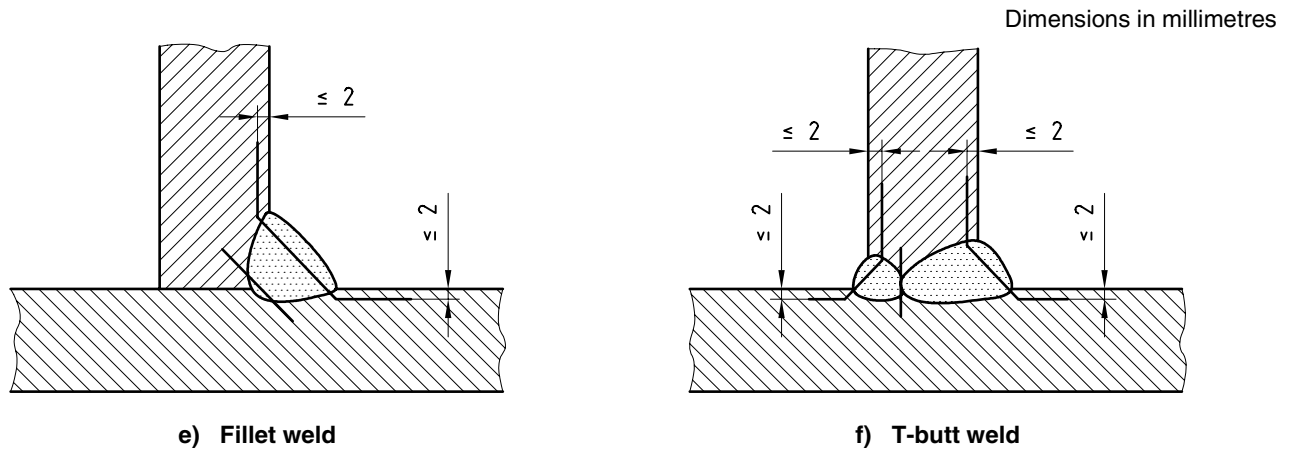
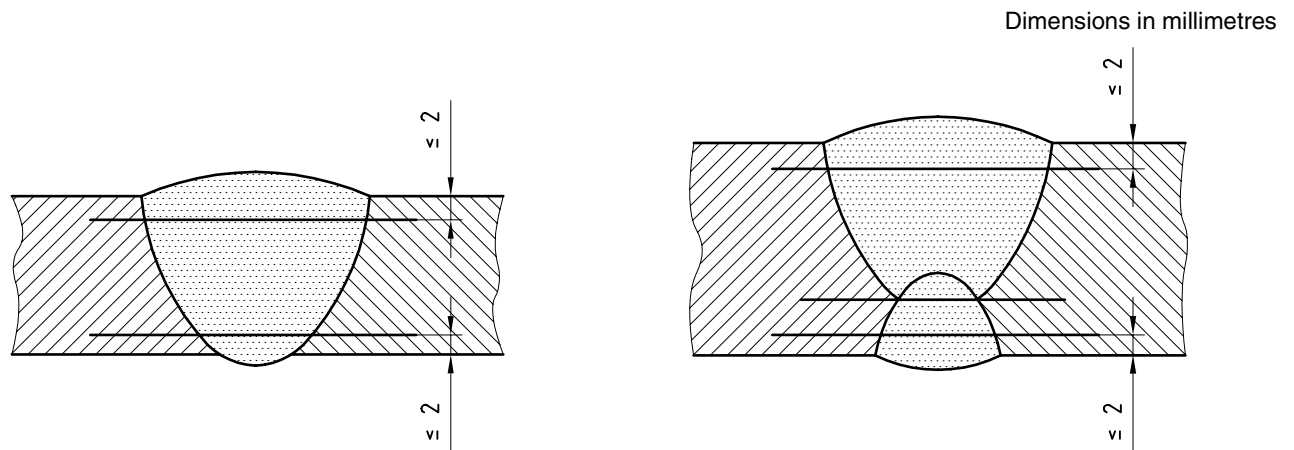


Figure 1 — Examples of rows of indentations (R) in steel welds



NOTE For thickness $t \leq 4$ mm, rows of indentations shall be in mid-thickness

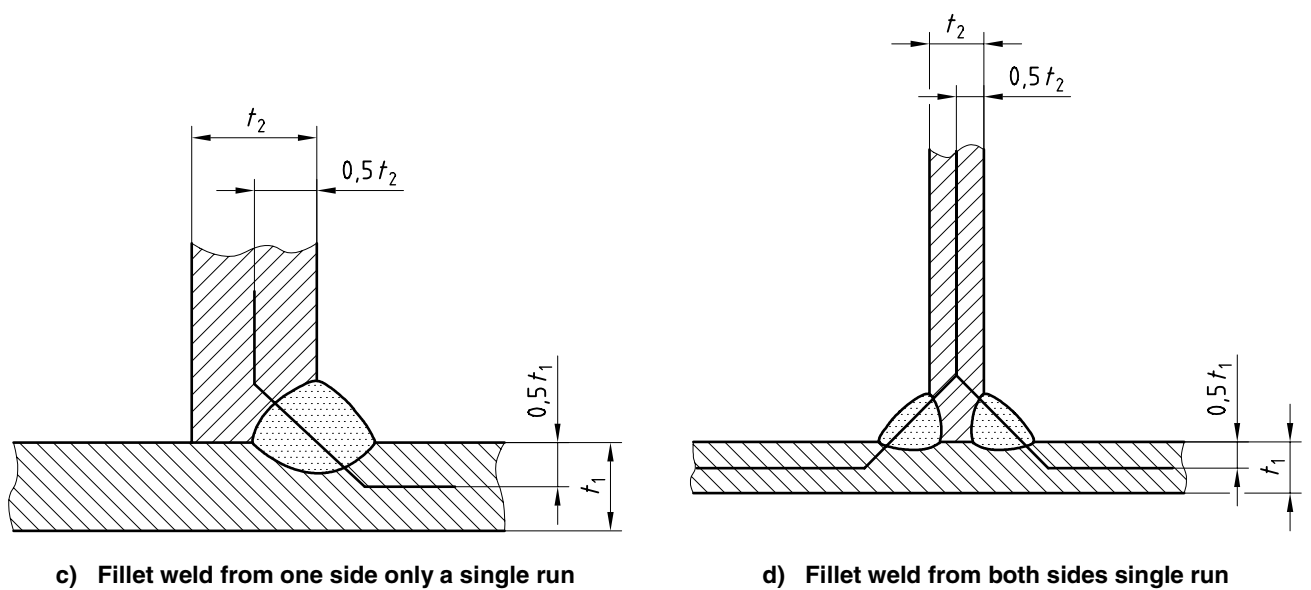
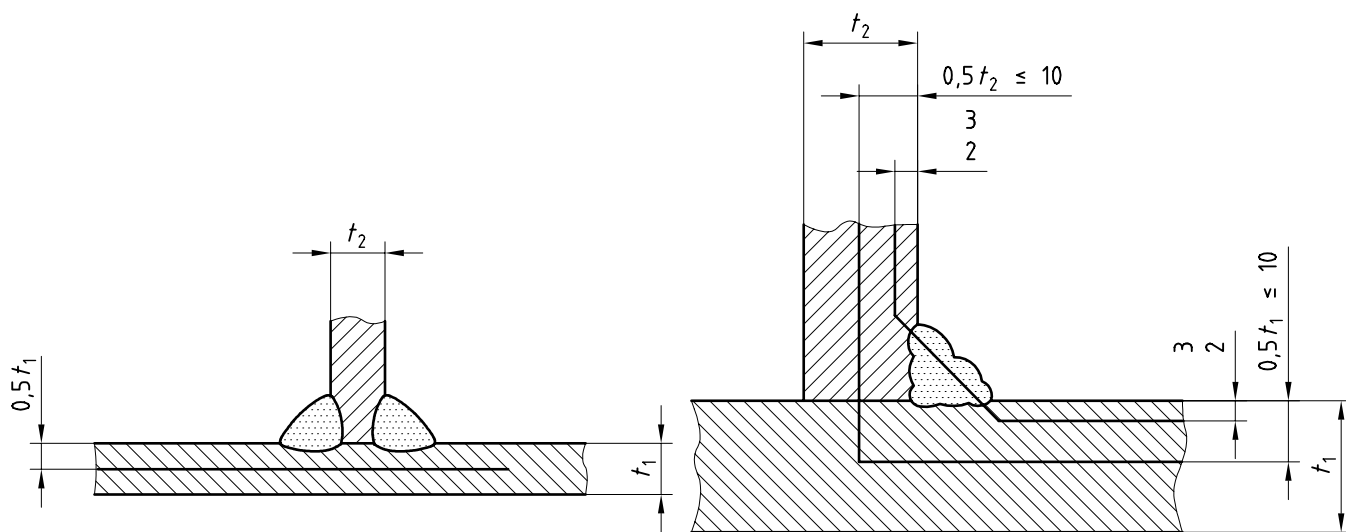


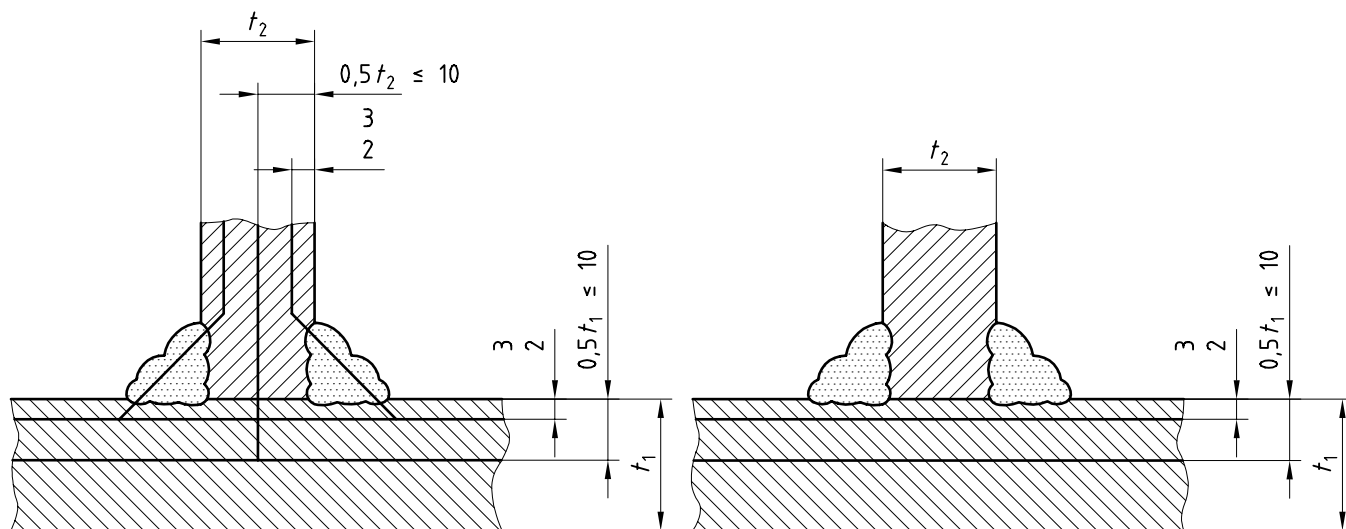
Figure 2 — Examples of rows of indentations (R) in aluminium, copper and their alloys

Dimensions in millimetres



e) Fillet weld from both sides single run non load bearing stiffener ($t \leq 4 \text{ mm}$)

f) Fillet weld from one side multirun

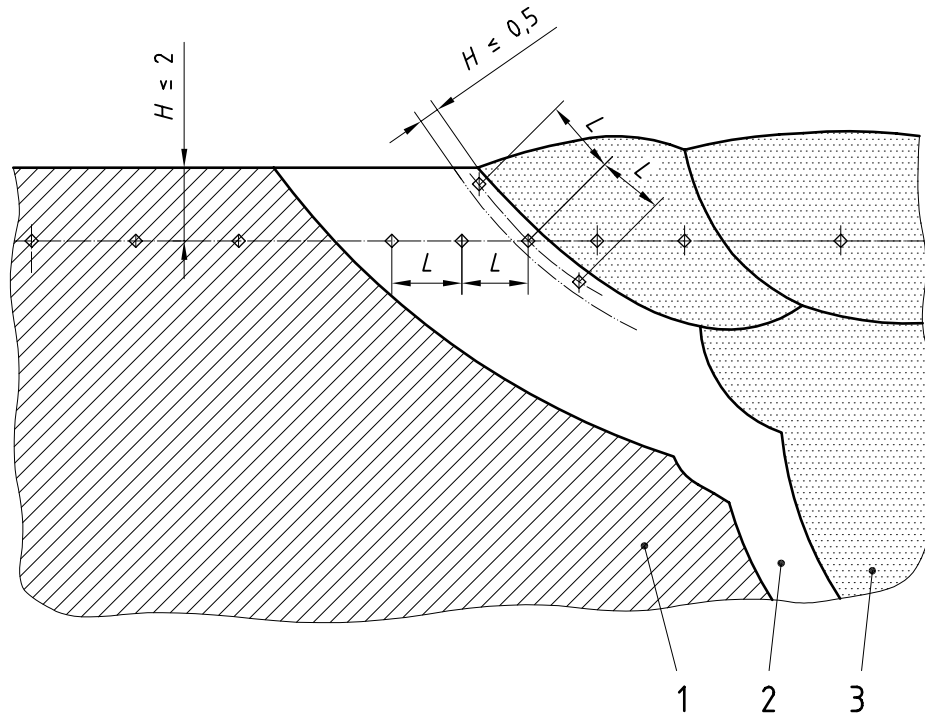


g) Fillet weld from both side multirun

h) Fillet weld from both side multirun non load bearing stiffener

Figure 2 — Examples of rows of indentations (R) in aluminium, copper and their alloys (continued)

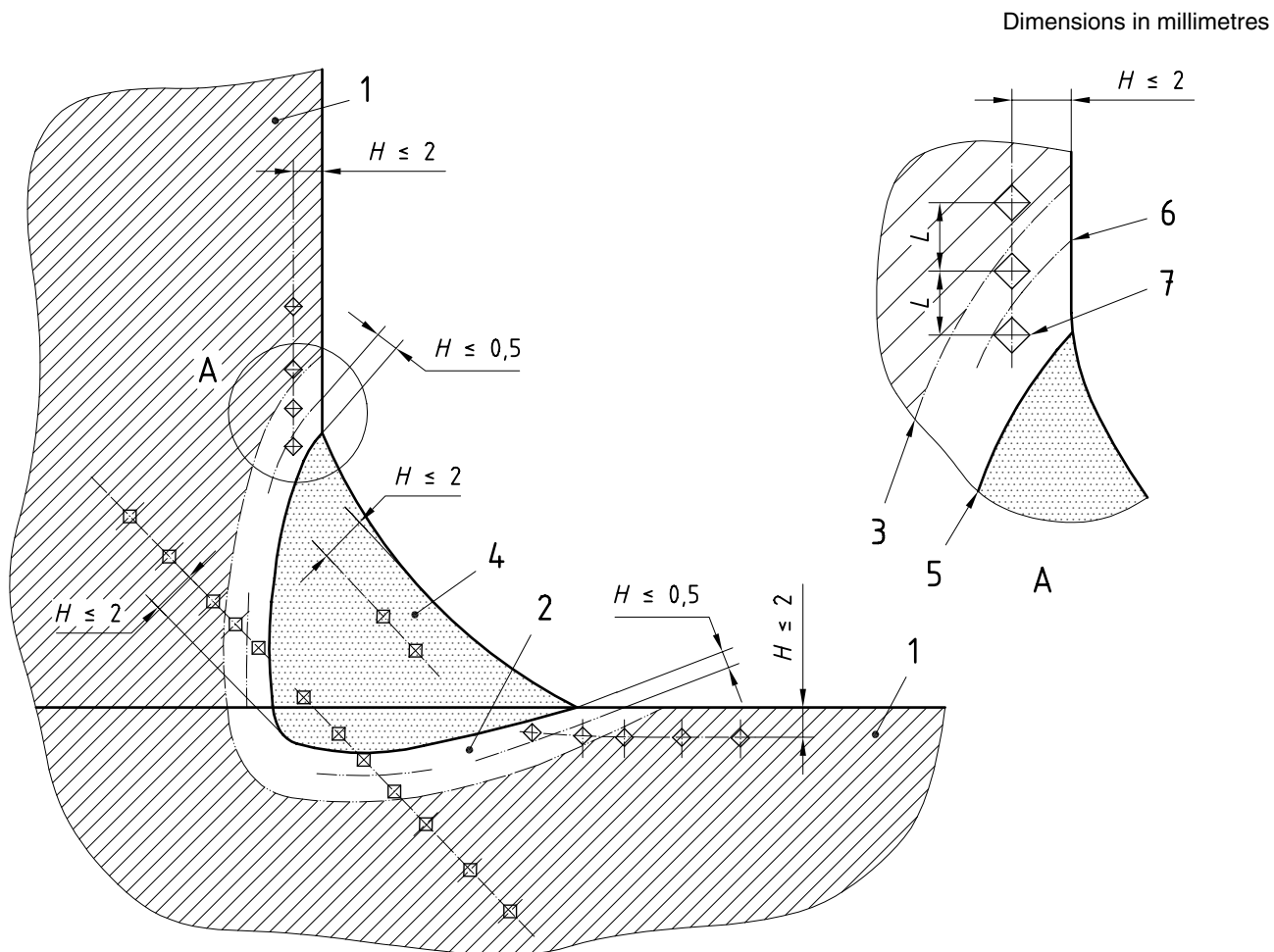
Dimensions in millimetres



Key

- 1 Parent metal
- 2 Heat affected zone
- 3 Weld metal

Figure 3 — Location of the indentations in butt welds in ferrous metals (excluding austenitic steels)

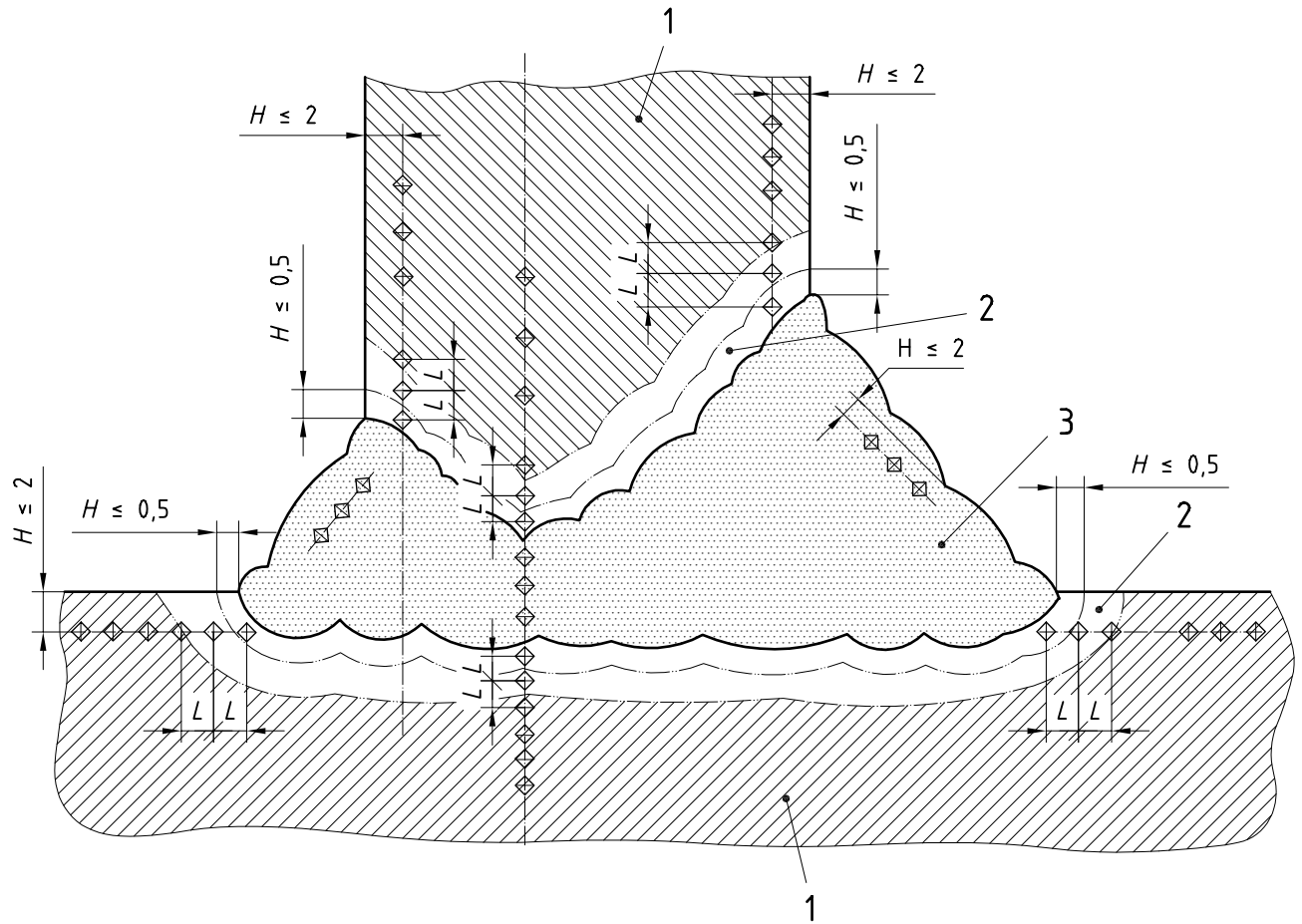


Key

- 1 Parent metal
- 2 Heat affected zone
- 3 Limit of HAZ
- 4 Weld metal
- 5 Fusion line
- 6 Limit for indentations parallel to fusion line
- 7 First indentation

Figure 4 — Location of the indentations in fillet welds, in ferrous metals (excluding austenitic steels)

Dimensions in millimetres

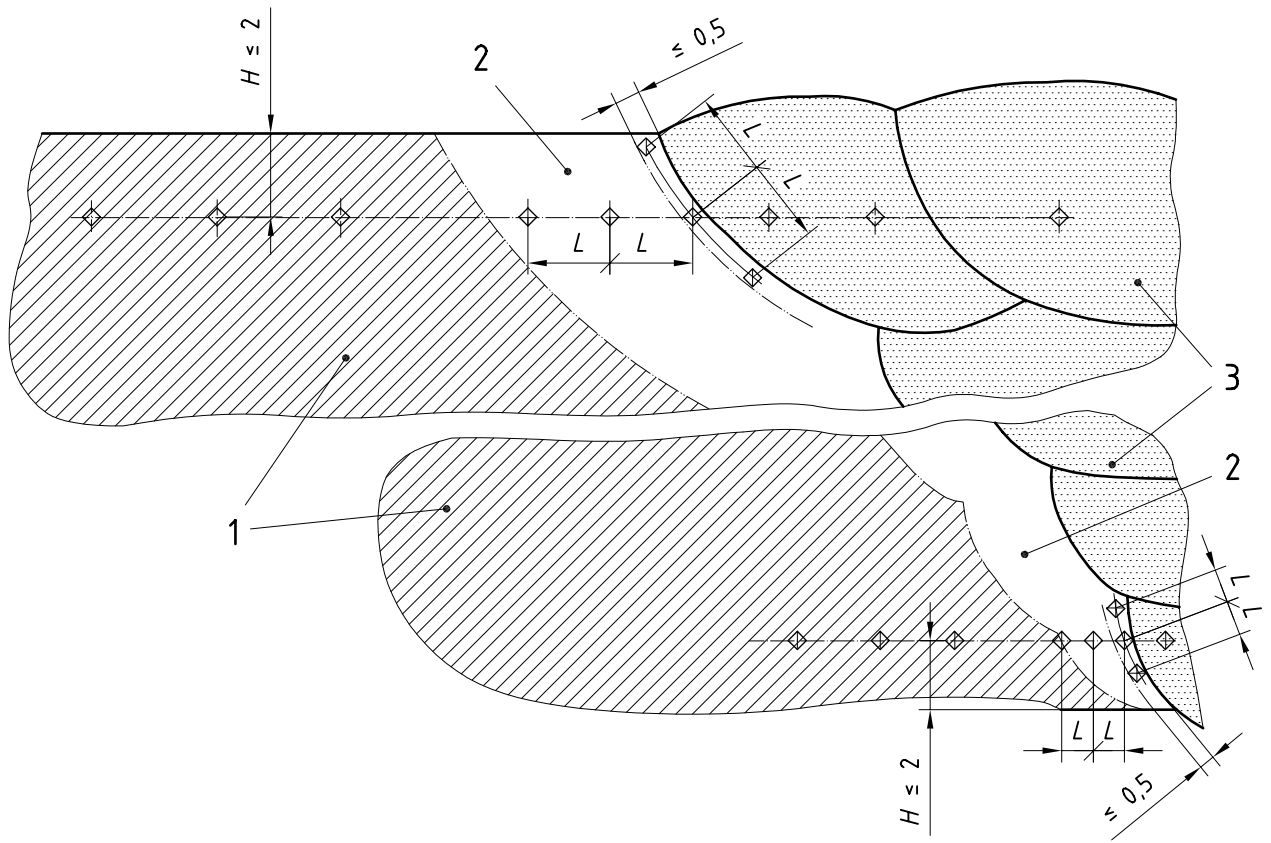


Key

- 1 Parent metal
- 2 Heat affected zone
- 3 Weld metal

Figure 5 — Location of the indentations in T-butt joints, in ferrous metals (excluding austenitic steels)

Dimensions in millimetres

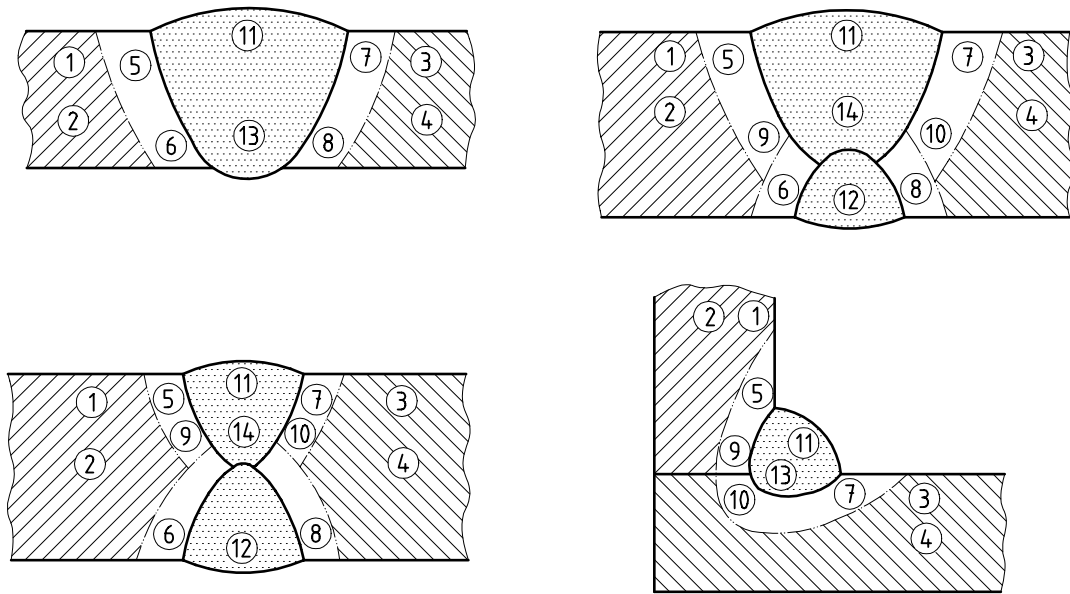


Key

- 1 Parent metal
- 2 Heat affected zone
- 3 Weld metal

Figure 7 — Location of the indentations for assessment of hardenability on multirun root welds in ferrous metal

Dimensions in millimetres



Key

- 1 to 4 Parent metal
- 5 to 10 Heat affected zone
- 11 to 14 Weld metal

NOTE Other areas are possible, by agreement.

Figure 8 — Examples showing areas for hardness testing with individual indentations (E)

Annex B (informative)

Example of a test report for hardness testing (E) on welded joints

Type of hardness test: _____

Parent metal: _____

Thickness of material: _____

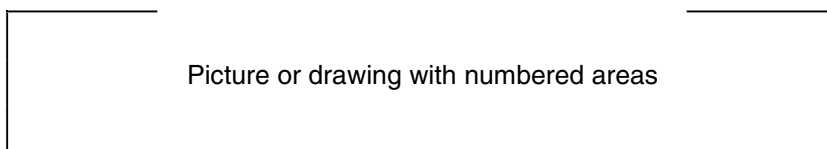
Type of weld: _____

Welding process: _____

Consumable: _____

Postweld heat treatment and/or ageing: _____

Notes: _____



		Area	Position of indentations	Individual hardness values HV or HBW ^a
Parent metal	Unaffected metal	1	Parent metal, unaffected, surface	
		2	Parent metal, unaffected, centre	
		3	Parent metal, unaffected, surface	
		4	Parent metal, unaffected, centre	
	HAZ	5	Parent metal, heat affected zone, top of weld	
		6	Parent metal, heat affected zone, bottom of weld	
		7	Parent metal, heat affected zone, top of weld	
		8	Parent metal, heat affected zone, bottom of weld	
		9	Parent metal, heat affected zone, root run, inside	
		10	Parent metal, heat affected zone, root run, inside	
Weld metal		11	Weld metal, final run	
		12	Weld metal, final run	
		13	Weld metal, root run	
		14	Weld metal, root run, inside	
		15 to		
^a Indicates load in accordance with ISO 6507-1 or ISO 6506-1.				

British Standards Institution (BSI)

BSI is the national body responsible for preparing British Standards and other standards-related publications, information and services.

BSI is incorporated by Royal Charter. British Standards and other standardization products are published by BSI Standards Limited.

About us

We bring together business, industry, government, consumers, innovators and others to shape their combined experience and expertise into standards-based solutions.

The knowledge embodied in our standards has been carefully assembled in a dependable format and refined through our open consultation process. Organizations of all sizes and across all sectors choose standards to help them achieve their goals.

Information on standards

We can provide you with the knowledge that your organization needs to succeed. Find out more about British Standards by visiting our website at bsigroup.com/standards or contacting our Customer Services team or Knowledge Centre.

Buying standards

You can buy and download PDF versions of BSI publications, including British and adopted European and international standards, through our website at bsigroup.com/shop, where hard copies can also be purchased.

If you need international and foreign standards from other Standards Development Organizations, hard copies can be ordered from our Customer Services team.

Subscriptions

Our range of subscription services are designed to make using standards easier for you. For further information on our subscription products go to bsigroup.com/subscriptions.

With **British Standards Online (BSOL)** you'll have instant access to over 55,000 British and adopted European and international standards from your desktop. It's available 24/7 and is refreshed daily so you'll always be up to date.

You can keep in touch with standards developments and receive substantial discounts on the purchase price of standards, both in single copy and subscription format, by becoming a **BSI Subscribing Member**.

PLUS is an updating service exclusive to BSI Subscribing Members. You will automatically receive the latest hard copy of your standards when they're revised or replaced.

To find out more about becoming a BSI Subscribing Member and the benefits of membership, please visit bsigroup.com/shop.

With a **Multi-User Network Licence (MUNL)** you are able to host standards publications on your intranet. Licences can cover as few or as many users as you wish. With updates supplied as soon as they're available, you can be sure your documentation is current. For further information, email bsmusales@bsigroup.com.

BSI Group Headquarters

389 Chiswick High Road London W4 4AL UK

Revisions

Our British Standards and other publications are updated by amendment or revision.

We continually improve the quality of our products and services to benefit your business. If you find an inaccuracy or ambiguity within a British Standard or other BSI publication please inform the Knowledge Centre.

Copyright

All the data, software and documentation set out in all British Standards and other BSI publications are the property of and copyrighted by BSI, or some person or entity that owns copyright in the information used (such as the international standardization bodies) and has formally licensed such information to BSI for commercial publication and use. Except as permitted under the Copyright, Designs and Patents Act 1988 no extract may be reproduced, stored in a retrieval system or transmitted in any form or by any means – electronic, photocopying, recording or otherwise – without prior written permission from BSI. Details and advice can be obtained from the Copyright & Licensing Department.

Useful Contacts:

Customer Services

Tel: +44 845 086 9001

Email (orders): orders@bsigroup.com

Email (enquiries): cservices@bsigroup.com

Subscriptions

Tel: +44 845 086 9001

Email: subscriptions@bsigroup.com

Knowledge Centre

Tel: +44 20 8996 7004

Email: knowledgecentre@bsigroup.com

Copyright & Licensing

Tel: +44 20 8996 7070

Email: copyright@bsigroup.com



...making excellence a habit.™