

**Plastics piping systems
for the transport of
water intended for
human consumption —
Migration
assessment —
Determination of
migration values of
plastics pipes and
fittings and their joints**

The European Standard EN ISO 8795:2001 has the status of a
British Standard

ICS 23.040.20; 91.140.60

National foreword

This British Standard is the official English language version of EN ISO 8795:2001. It is identical with ISO 8795:2001.

The UK participation in its preparation was entrusted by Technical Committee PRI/88, Plastic piping systems, to Subcommittee PRI/88/4, Test methods for plastic piping systems, which has the responsibility to:

- aid enquirers to understand the text;
- present to the responsible international/European committee any enquiries on the interpretation, or proposals for change, and keep the UK interests informed;
- monitor related international and European developments and promulgate them in the UK.

A list of organizations represented on this subcommittee can be obtained on request to its secretary.

Cross-references

The British Standards which implement international or European publications referred to in this document may be found in the *BSI Catalogue* under the section entitled “International Standards Correspondence Index”, or by using the “Search” facility of the *BSI Electronic Catalogue* or of British Standards Online.

This publication does not purport to include all the necessary provisions of a contract. Users are responsible for its correct application.

Compliance with a British Standard does not of itself confer immunity from legal obligations.

Summary of pages

This document comprises a front cover, an inside front cover, the EN ISO title page, pages 2 to 18, an inside back cover and a back cover.

The BSI copyright date displayed in this document indicates when the document was last issued.

Amendments issued since publication

| Amd. No. | Date | Comments |
|----------|------|----------|
| | | |
| | | |
| | | |
| | | |

This British Standard, having been prepared under the direction of the Materials and Chemicals Sector Policy and Strategy Committee, was published under the authority of the Standards Policy and Strategy Committee on 22 October 2002

© BSI 22 October 2002

ISBN 0 580 40633 4

English version

Plastics piping systems for the transport of water intended for human consumption - Migration assessment - Determination of migration values of plastics pipes and fittings and their joints
(ISO 8795:2001)

Systèmes de canalisations plastiques pour le transport d'eau destinée à la consommation humaine - Evaluation de la migration - Détermination des valeurs de migration des tubes et raccords plastiques et de leurs assemblages (ISO 8795:2001)

Kunststoff-Rohrleitungssysteme für den Transport von Wasser für den menschlichen Verzehr - Bewertung der Migration - Bestimmung der Migrationswerte von Rohren und Formstücken aus Kunststoff und deren Verbindungen (ISO 8795:2001)

This European Standard was approved by CEN on 10 August 2000.

CEN members are bound to comply with the CEN/CENELEC Internal Regulations which stipulate the conditions for giving this European Standard the status of a national standard without any alteration. Up-to-date lists and bibliographical references concerning such national standards may be obtained on application to the Management Centre or to any CEN member.

This European Standard exists in three official versions (English, French, German). A version in any other language made by translation under the responsibility of a CEN member into its own language and notified to the Management Centre has the same status as the official versions.

CEN members are the national standards bodies of Austria, Belgium, Czech Republic, Denmark, Finland, France, Germany, Greece, Iceland, Ireland, Italy, Luxembourg, Netherlands, Norway, Portugal, Spain, Sweden, Switzerland and United Kingdom.



EUROPEAN COMMITTEE FOR STANDARDIZATION
COMITÉ EUROPÉEN DE NORMALISATION
EUROPÄISCHES KOMITEE FÜR NORMUNG

Management Centre: rue de Stassart, 36 B-1050 Brussels

Contents

| | Page |
|--|-----------|
| Foreword | 3 |
| 1 Scope | 4 |
| 2 Normative references | 4 |
| 3 Terms and definitions | 4 |
| 4 Principle | 5 |
| 5 Reagents | 5 |
| 5.1 Test liquids..... | 5 |
| 5.2 General requirements for the liquids | 6 |
| 5.3 Selection of test liquids to perform the test..... | 6 |
| 6 Test temperatures | 6 |
| 7 Apparatus | 6 |
| 8 Test pieces | 6 |
| 8.1 General | 6 |
| 8.2 Preparation | 7 |
| 9 Procedure | 7 |
| 9.1 General | 7 |
| 9.2 Stagnation..... | 8 |
| 9.3 Prewashing | 8 |
| 9.4 Migration test | 9 |
| 9.5 Analysis of constituents | 9 |
| 10 Expression of results | 9 |
| 11 Test report | 10 |
| Annex A (normative) Test liquids | 11 |
| Annex B (normative) Preparation of test pieces for testing pipes, fittings or joints with nominal size greater than 80 | 13 |
| Bibliography | 18 |

Foreword

The text of EN ISO 8795:2001 has been prepared by Technical Committee CEN/TC 155 "Plastics piping systems and ducting systems", the secretariat of which is held by NEN, in collaboration with Technical Committee ISO/TC 138 "Plastics pipes, fittings and valves for the transport of fluids".

This European Standard shall be given the status of a national standard, either by publication of an identical text or by endorsement, at the latest by September 2001, and conflicting national standards shall be withdrawn at the latest by September 2001.

This Standard replaces EN 852-1:1996. This revision contains the addition of requirements for fittings and joints.

NOTE 1 ISO 8795:1998 is a revision of ISO 8795:1990 and is identical with EN 852-1:1996.

It is based on ISO 8795:1990 "*Plastics pipes for the transport of water intended for human consumption - Extractability of constituents - Test method*", published by the International Organisation for Standardisation (ISO). It differs from ISO 8795:1990 due to the need for the test method to be applicable to European conditions and practice.

The main modifications are:

- a) testing of fittings and joints has been added;
- b) test liquids:
 - the addition of neutral water (pH = 7,0) to cover non-European conditions;
 - pH 9 has been added, to cover European conditions (see Directive 98/83/EC Part C);
 - pH 11 is mentioned;
 - addition of test liquid with an active chlorine content of 1 mg/l;
- c) a stagnation period has been added;
- d) exposure time: 72 h is specified for cold water applications and 24 h is specified for warm and hot water applications;
- e) temperatures:
 - 70 °C is specified for moderate hot water conditions;
- f) large diameter pipes, fittings and joints: a procedure for testing has been added.

Annex A, which is normative, describes the preparation of test liquids.

Annex B, which is normative, describes the preparation of test pieces for testing pipes, fittings and joints with nominal sizes greater than 80.

Further is included a bibliography.

This standard is one of a series of standards on test methods which support System Standards for plastics piping systems and ducting systems.

According to the CEN/CENELEC Internal Regulations, the national standards organizations of the following countries are bound to implement this European Standard: Austria, Belgium, Czech Republic, Denmark, Finland, France, Germany, Greece, Iceland, Ireland, Italy, Luxembourg, Netherlands, Norway, Portugal, Spain, Sweden, Switzerland and the United Kingdom.

1 Scope

This standard specifies a method for the determination of the migration of constituents from the internal surface of plastics pipes, fittings and joints. Organoleptic and microbiological assessments are not included.

This standard is applicable to all plastics pipes, fittings and joints to be used for the transport of water intended for human consumption and raw water used for the manufacturing of water intended for human consumption. It covers all constituents which are extractable by water from a finished pipe, fitting or joint. It provides for a change in procedure as necessary depending upon the size of the pipe, fitting or joint.

NOTE 1 It is assumed that the referring standards or regulations making reference to this standard include the following information (see also the note to clause 4):

- a) choice of test liquid(s) (see 5.3);
- b) choice of test temperature(s) (see clause 6).

NOTE 2 The pre-treatment procedures, test liquids and test temperatures mentioned in this standard cover the present situation. When new and/or different conditions are formulated (currently under discussion) the standard will be amended accordingly.

2 Normative references

This European Standard incorporates by dated or undated reference, provisions from other publications. These normative references are cited at the appropriate places in the text and the publications are listed hereafter. For dated references, subsequent amendments to, or revisions of, any of these publications apply to this European Standard only when incorporated in it by amendment or revision. For undated references the latest edition of the publication referred to applies (including amendments).

EN ISO 3696:1995, *Water for analytical laboratory use — Specification and test methods*
(ISO 3696:1987)

ISO 7393-2:1985, *Water quality - Determination of free chlorine and total chlorine - Part 2: Colorimetric method using N,N-diethyl-1,4-phenylenediamine, for routine control purposes*

3 Terms and definitions

For the purposes of this standard the following terms and definitions apply.

3.1

migration

movement of substances from one material (e.g. plastics pipe) into another (test liquid)

3.2

test liquid

specified water for migration testing

3.3

migration value (*M*)

mass of constituent(s) migrated from a specified surface area of a test piece exposed to a test liquid at a specified temperature over a specified time

3.4

tapwater

water intended for human consumption

3.5

fitting

component, other than a pipe which is used in a pipeline (e.g. bends, tees, end caps, valves)

3.6
joint

connection between the ends of two components (electrofusion joints are included)

3.7
migration liquid

test liquid which has been in contact with a test piece under specified conditions

3.8
migration number (*n*)

number of migrations conducted sequentially

4 Principle

Test pieces are subjected to stagnation and prewashing with tapwater for a specified time. The test pieces are then filled with the specified test liquid at a specified temperature and kept for a series of specified migration periods. The migration liquid is then analysed to assess any constituents which were able to migrate.

NOTE It is assumed that the following test parameters are set by the standard(s) making reference to this standard:

- a) the test liquid(s) (see 5.3);
- b) the test temperature, *T*, if other than as given in clause 6;
- c) the number of pairs of test pieces (see 9.1.1);
- d) the constituents for which analysis is to be made both upon test pieces and the blank test and the required accuracy, taking account of 9.5 (see also clause 10).

5 Reagents

5.1 Test liquids

NOTE Methods for the preparation of test liquids are given in annex A.

5.1.1 Water, conforming to grade 3 of EN ISO 3696:1995, with the following characteristics:

- a) a conductivity of ≤ 10 mS/m at 25 °C;
- b) total organic carbon (TOC) content $\leq 0,2$ mg/l (as carbon).

5.1.2 Chlorinated water, conforming to 5.1.1 with an active chlorine concentration of $(1 \pm 0,2)$ mg/l.

5.1.3 Acidic water, comprising water conforming to 5.1.1, adjusted to a pH of $(4,5 \pm 0,1)$ with a potassium dihydrogen phosphate (KH_2PO_4) buffer solution conforming to A.1.2.

5.1.4 Chlorinated acidic water, comprising water conforming to 5.1.1, adjusted to a pH of $(4,5 \pm 0,1)$ with a KH_2PO_4 buffer solution conforming to A.1.2 and an active chlorine concentration of $(1 \pm 0,2)$ mg/l.

5.1.5 Alkaline water type I (for European conditions), comprising water conforming to 5.1.1, adjusted to a pH of $(9,0 \pm 0,1)$ with a borate buffer solution conforming to A.1.3.

5.1.6 Alkaline water type II (for non-European conditions), comprising water conforming to 5.1.1, adjusted to a pH of $(11,0 \pm 0,1)$ with a sodiumhydroxide / sodium tetraborate buffer solution conforming to A.1.4.

5.1.7 Neutral water (for non-European conditions), comprising water conforming to 5.1.1, adjusted to a pH of $(7,0 \pm 0,1)$ with a potassium dihydrogen phosphate (KH_2PO_4) buffer solution conforming to A.1.5.

5.2 General requirements for the liquids

The test liquid shall contain negligible concentrations of any measurable substances that could interfere with the measurements of constituents.

5.3 Selection of test liquids to perform the test

5.3.1 For cold water applications the test liquid(s) shall be selected from those given in 5.1.

5.3.2 For warm and hot water applications (see clause 6) the test liquid shall conform to 5.1.1.

6 Test temperatures

Unless otherwise specified in the referring standard or regulations, the test temperature shall be selected from the following:

- a) for cold water applications: (23 ± 2) °C;
- b) for warm water applications: either (60 ± 2) °C or (70 ± 2) °C, depending upon the class of pipe;
- c) for hot water applications: (90 ± 2) °C;
- d) for tropical conditions: (27 ± 2) °C.

7 Apparatus

7.1 Connections, stoppers and containers, made of material which is inert at the specified test conditions, such as glass or PTFE or stainless steel (see also annex B).

NOTE The material PTFE should only be used when there is a small contact area with the test liquid, thus not for containers.

7.2 Thermostatically controlled environment or enclosure, capable of maintaining the relevant test temperature(s) (see clause 6).

8 Test pieces

8.1 General

8.1.1 Sampling of products shall be performed in accordance with the relevant product standard or system standard, as applicable.

NOTE National regulations for sampling may be applicable.

8.1.2 If it is necessary to store samples before testing, they shall be protected from contamination. If the manufacturer provides written instruction on storage, they shall be followed.

The samples shall be stored in their original form as delivered. Where appropriate, storage containers shall be cleaned using the same procedures as are used for test containers.

8.1.3 The test pieces shall be prepared such that only the surfaces intended to come into contact with the water are exposed to test liquids conforming to 5.1. Where the composition of the test pieces is homogeneous, i.e. the inside surface is the same as the outside surface, it is acceptable to immerse the whole test piece(s) in the test liquid.

If the surface area of the product in contact with drinking water consists of more than one material, then the product may be tested as a single unit or the individual materials can be tested either by disassembling the product or by using the procedure in 8.1.4 for each material.

8.1.4 If the procedure for the preparation of a test piece for a particular type of product or material has not been covered in this standard, deviation from this procedure is permitted under the following conditions:

- a) the finished product and the test piece shall be produced in the same manner;

- b) the preparation of test pieces before testing shall include the procedures, which are performed in practice before the system is put into operation, e.g. curing and cleaning procedures.

8.1.5 The surface of the test pieces intended to come into contact with the test liquids shall be free from adhesive tape, labels, ink or pencil marks.

NOTE Care may be necessary to ensure that the transport conditions do not influence the test results.

8.1.6 The minimum age of the test pieces shall be in accordance with the relevant product standard, system standard or, if not given in such a standard, with that recommended by the manufacturer for the product to be ready for use.

8.2 Preparation

8.2.1 Surface-area-to volume ratio (S/V)

The value of S/V shall not be less than 5 (dm^{-1}), where:

- S is the inner surface area of the test piece, in square decimetres (dm^2), exposed to the test liquid;
- V is the volume of the test liquid, in litres.

8.2.2 Pipes

For each test, take length(s) of pipe sufficient to give the volume of the test liquid necessary to determine the amount of any migrated constituent(s) with the required accuracy.

For pipes with nominal sizes in excess of 80, the test arrangement shall be adjusted to one of the methods as given in annex B to meet the requirements of 8.2.1.

8.2.3 Fittings and joints

8.2.3.1 For each test take a fitting or joint or a number of fittings or joints, sufficient to give the volume of the test liquid, necessary to determine the amount of any migrated constituent(s) with the required accuracy.

If it is not possible to carry out this procedure due to practical reasons (e.g. geometry of the fitting or joint) the procedures described in 8.2.3.2 or 8.2.3.3 shall be applied.

8.2.3.2 The product may be tested in the form of a more convenient test piece (e.g. in the form of a pipe) prepared under the same manufacturing and processing conditions as for fittings.

8.2.3.3 When fittings or joints have the same material composition for the outside and inside surfaces, the fittings or joints may be immersed in the test liquid held in a container (see 7.1) and the value for S/V shall be calculated from the total outside and inside surface area.

9 Procedure

9.1 General

9.1.1 Carry out the tests described in 9.2 to 9.5 in duplicate and at the same time.

Stagnation (9.2), prewashing (9.3) and migration (9.4) shall be carried out without delay between the stages.

9.1.2 Carry out a blank test in parallel with 9.1.1, using the same test conditions (test liquid, test temperature, migration time and stoppers) in a container of sufficient volume conforming to 7.1, but made of glass. Determine at the end of each migration period (see 9.4) the concentration, C_0 , of each specified constituent [see d) of the note to clause 4] and associated interfering substances with the required accuracy.

NOTE If a bulk supply of test liquid is used for the duplicate test then one blank test is sufficient.

9.2 Stagnation

9.2.1 Pipes to be tested at 23 °C or 27 °C

9.2.1.1 Fill the test piece(s) (see clause 8) with tapwater, seal with a stopper (see 7.1) or proceed as indicated in annex B, and let it stand for $(24 \pm 0,5)$ h.

9.2.1.2 After this period remove the water and prewash the test piece in accordance with 9.3.

9.2.2 Pipes to be tested at elevated temperatures

9.2.2.1 Perform the procedure in 9.2.1.

9.2.2.2 Fill the test piece(s) with tapwater at the test temperature (see clause 6), seal with a stopper (see 7.1) or as indicated in annex B, and let it stand for $(7,5 \pm 0,5)$ h at the test temperature.

9.2.2.3 After this period, remove the water and refill the test piece(s) with fresh tapwater which has been brought to the test temperature and let it stand for $(16 \pm 0,5)$ h at the test temperature.

9.2.2.4 After this period, remove the water and rinse the test piece(s) in accordance with 9.3.5.

9.2.3 Fittings and joints to be tested at 23 °C or 27 °C

9.2.3.1 If applicable, subject the test piece(s) to stagnation in accordance with 9.2.1.

9.2.3.2 If 9.2.3.1 is not applicable, e.g. for shape and/or size reasons (see clause 8), immerse the test piece(s) (see 8.2.3) in tapwater in a container (see 7.1) for $(24 \pm 0,5)$ h.

Remove the water and prewash the test piece(s) in accordance with 9.3.

9.2.4 Fittings and joints to be tested at elevated temperatures

9.2.4.1 Perform the procedure in accordance with 9.2.3 (see 9.2.4.4).

9.2.4.2 Fill the test piece(s) with tapwater at the test temperature (see clause 6), seal with a stopper (see 7.1) or as indicated in annex B and let it stand for $(7,5 \pm 0,5)$ h at the test temperature.

9.2.4.3 Remove the water and refill the test piece(s) with fresh tapwater, which has been brought to the test temperature and let it stand for $(16 \pm 0,5)$ h at the test temperature. Remove the water and rinse the test piece(s) using water conforming to 5.1.1.

9.2.4.4 If 9.2.4.1 is not applicable, e.g. for shape and/or size reasons (see clause 8), immerse the test piece(s) (see 8.2.3) in tapwater at the test temperature (see clause 6) in a container (see 7.1) and let it stand for $(7,5 \pm 0,5)$ h at the test temperature.

9.2.4.5 Remove the water and immerse the test piece(s) in fresh tapwater which has been brought to the test temperature and let it stand for $(16 \pm 0,5)$ h at the test temperature.

9.2.4.6 Remove the water and rinse the test piece(s) using water conforming to 5.1.1.

9.3 Prewashing

9.3.1 If applicable (see 9.3.4), connect the test piece(s) to a source of tapwater via a suitable connector (see 7.1) such that the test surface is totally covered during prewashing. Complete prewashing in accordance with 9.3.2 to 9.3.4 inclusive.

9.3.2 Let the tapwater flow through the test piece with a velocity between 2 m/min and 4 m/min.

9.3.3 Maintain the water flow for a period between 60 min and 70 min.

9.3.4 If 9.3.1 is not applicable, e.g. for shape or size reasons (see clause 8), place the test piece(s) in an appropriate container (e.g. bucket) having a water throughflow from the bottom upwards such that the calculated velocity with regard to the upper open surface of the container is between 2 m/min and 4 m/min for a period between 60 min and 70 min.

9.3.5 Stop the water flow and rinse the test piece(s) using water conforming to 5.1.1.

9.4 Migration test

9.4.1 If applicable (see 9.4.2.) fill the test piece(s) (see clause 8) with the specified test liquid (see clause 4 and 5.1), seal with stoppers (see 7.1) or as indicated in annex B and maintain the filled test piece at the specified temperature for (72 ± 1) h for cold water applications or for (24 ± 1) h for warm and hot water applications (see 9.4.2).

9.4.2 If 9.4.1 is not applicable, e.g. for shape and/or size reasons (see clause 8), immerse the test piece(s) in the specified test liquid (see clause 4 and 5.1) at the specified temperature in a container (see 7.1) for (72 ± 1) h for cold water applications or for (24 ± 1) h for warm and hot water applications.

9.4.3 At the end of the first migration, collect the migration liquid (see 3.7) in a suitable container, i.e. complying with analytical requirements, and if applicable allow to cool down to room temperature.

9.4.4 For any subsequent migration (n) repeat the steps described in 9.4.1 to 9.4.3 where n corresponds to the number of times those steps have been carried out (the migration number).

9.5 Analysis of constituents

Carry out the required analysis on the migration liquid (see 9.4.3 and 9.4.4) using appropriate analytical methods where the extracted substances to be determined and the limits of detection and accuracy, i.e. total tolerable random (precision) and systematic (bias) error of the analytical results, shall be as specified in the referring standard(s).

10 Expression of results

The measured concentrations of the relevant constituent(s) shall be expressed in milligrams per litre (mg/l). The migration value, M , for a migrated constituent shall be calculated using one of the following equations:

For cold water applications:

$$M_{24} = \frac{1}{3} C_{72} \times \frac{V}{S}$$

or for warm and hot water applications:

$$M_{24} = C_{24} \times \frac{V}{S}$$

where:

M_{24} is the migration value, in milligrams per square decimetre (mg/dm²) per 24 h;

C_{24} is the concentration of the migrated amount of each constituent, in milligrams per litre (mg/l) over a period of 24 h, where $C_{24} = C_1$ {or C_n } - C_0 ;

C_{72} is the concentration of the migrated amount of each constituent, in milligrams per litre (mg/l) over a period of 72 h, where $C_{72} = C_1$ {or C_n } - C_0 ,

where:

C_0 is the concentration in the blank (see 9.1.2); C_1 (or C_n) is the concentration in the first (or n) migration.

V is the volume of migration liquid, in litres;

S is the surface area of test piece, in square decimetres (dm²), exposed to the test liquid.

The results for M and C shall be expressed as $M_{t;n}^T$ and $C_{t;n}^T$, where:

- T is the migration temperature, in degrees Celsius;
- t is the migration time, in hours;
- n is the sequence number of the migration period.

EXAMPLES:

$M_{24;1}^{23}$ is M for the first migration at 23 °C for a migration time, t , of 24 h divided by 3;

$M_{24;3}^{70}$ is M for the third migration at 70 °C for a migration time, t , of 24 h;

$C_{72;1}^{23}$ is C for the first migration at 23 °C for a migration time, t , of 72 h;

$C_{24;3}^{70}$ is C for the third migration at 70 °C for a migration time, t , of 24 h;

NOTE The migration value, M , is independent of the size of the test piece and is expressed in mass per unit area per unit time. While the migration time is 72 h and the unit time is 24 h the factor 1/3 is introduced in the equation. For practical reasons it is assumed that the migration is linear in time. From the expression of M as $M_{t;n}^T$ it is easy to read which migration time, t , in hours, and which migration temperature, T , in degrees Celsius, and which sequence number, n , of the migration period was used.

11 Test report

The test report shall include the following information:

- a) a reference to this standard and to the referring standard;
- b) a complete identification of the test piece(s), including the following:
 - name of manufacturer and production site;
 - name and type of material;
 - marking including production code;
 - dimensions of the sample: nominal size and nominal wall thickness;
 - description of the test piece(s);
 - the age of the test piece (see 8.1.6);
- c) the analytical method, its accuracy and the detection limit used for the determination of the constituent(s) concerned;
- d) the volume of the migration liquid, V , in litres, and the surface area of the test piece(s) exposed to the test liquid, S , in square decimetres (dm²);
- e) the test liquid and the test temperature;
- f) Concentrations $C_{72;n}^T$ or $C_{24;n}^T$ and C_0 in milligrams per litre (mg/l) and the calculated migration value $M_{24;n}^T$ in mg/(dm²•24h) of each constituent determined after the first and any subsequent migration;
- g) the arithmetic mean of $C_{72;n}^T$ or $C_{24;n}^T$ and $M_{24;n}^T$;
- h) any deviations from this standard with regard to instructions, procedures, test conditions, etc. likely or unlikely to affect the results;

NOTE This does not imply that such deviations are permitted. Practice, however, showed that such deviations occur because the impact is underestimated or it is not realised that this may have an influence on the results.

- i) the date of test.

Annex A (normative)

Test liquids

A.1 Chemical solutions

A.1.1 Sodium hypochlorite (NaOCl) solution

A solution of sodium hypochlorite (NaOCl) in water conforming to 5.1.1 with a concentration of 0,1 % (by mass) available chlorine is prepared on the day of use by dilution of a sodium hypochlorite solution (technical grade) with water conforming to 5.1.1.

NOTE The sodium hypochlorite solution is not sufficiently stable for prior preparation.

A.1.2 Acidic buffer solution (pH 4,5)

An acidic buffer solution is prepared by dissolving 13,61 g of potassium dihydrogen phosphate (KH_2PO_4) in 1000 ml of water conforming to 5.1.1 and diluting this solution by 1 : 100 with water conforming to 5.1.1.

1,2 ml of 0,1 N HCl per litre diluted solution is then added.

A.1.3 Alkaline buffer solution (pH 9,0)

An alkaline stock buffer solution with a pH of 9,0 is prepared by mixing 420 ml of solution A and 1000 ml of solution B as follows.

Solution A shall comprise of 0,1 N sodium hydroxide (NaOH) prepared in water conforming to 5.1.1.

Solution B is prepared by dissolving 6,18 g of boric acid in 0,1 M potassium chloride made with water conforming to 5.1.1 and diluting to (1000 ± 1) ml with the same (0,1 M potassium chloride) solution.

This alkaline stock buffer solution is diluted 1 : 100 with water conforming to 5.1.1.

A.1.4 Alkaline buffer solution (pH 11,0)

An alkaline stock buffer solution with a pH of 11,0 is prepared by mixing 49,5 ml of sodium hydroxide (NaOH) solution and 50,5 ml of a sodium tetraborate ($\text{Na}_2\text{B}_4\text{O}_7 \cdot 10\text{H}_2\text{O}$) solution.

The sodium hydroxide solution is 0,1 mol/l.

The sodium tetraborate solution is 0,05 mol/l.

A.1.5 Neutral buffer solution (pH 7,0)

A neutral stock buffer solution with a pH of 7,0 is prepared by mixing 29,6 ml of solution A and 50,0 ml of solution B.

Solution A shall comprise of 0,1 N sodium hydroxide (NaOH) prepared in water conforming to 5.1.1.

Solution B is prepared by dissolving 13,61 g of potassium dihydrogen phosphate (KH_2PO_4) in 1000 ml of water conforming to 5.1.1

A.2 Preparation of test liquids

A.2.1 Water having an active chlorine concentration

Add a sufficient quantity of a sodium hypochlorite (NaOCl) solution conforming to A.1.1 to water conforming to 5.1.1 to give an active chlorine concentration of $(1,0 \pm 0,2)$ mg/l.

Determine this concentration in accordance with ISO 7393-2:1985.

A.2.2 Acidic water

Add to water conforming to 5.1.1 enough phosphate buffer solution conforming to A.1.2 to obtain a pH of $(4,5 \pm 0,1)$.

A.2.3 Acidic water with an active chlorine concentration

Determine in accordance with ISO 7393-2:1985 the active chlorine concentration in the acidic water conforming to A.2.2. Add a sufficient quantity of a sodium hypochlorite (NaOCl) solution conforming to A.1.1 to give an active chlorine concentration of $(1,0 \pm 0,2)$ mg/l.

A.2.4 Alkaline water type I (pH 9,0)

Add to water conforming to 5.1.1 enough alkaline buffer solution conforming to A.1.3 to obtain a stable pH of $(9,0 \pm 0,1)$.

A.2.5 Alkaline water type II (pH 11,0)

Add to water conforming to 5.1.1 enough alkaline buffer solution conforming to A.1.4 to obtain a stable pH of $(11,0 \pm 0,1)$.

A.2.6 Neutral water (pH 7,0)

Add to water conforming to 5.1.1 enough neutral buffer solution conforming to A.1.5 to obtain a stable pH of $(7,0 \pm 0,1)$.

Annex B (normative)

Preparation of test pieces for testing pipes, fittings or joints with nominal size greater than 80

B.1 General

These arrangements are designed for large diameter pipes. It is possible to test some fittings and joints as pipes using these arrangements. However, some fittings and joints, due to irregular shape, may need to be tested in the form of a pipe (see clause 8).

B.2 Arrangements for testing

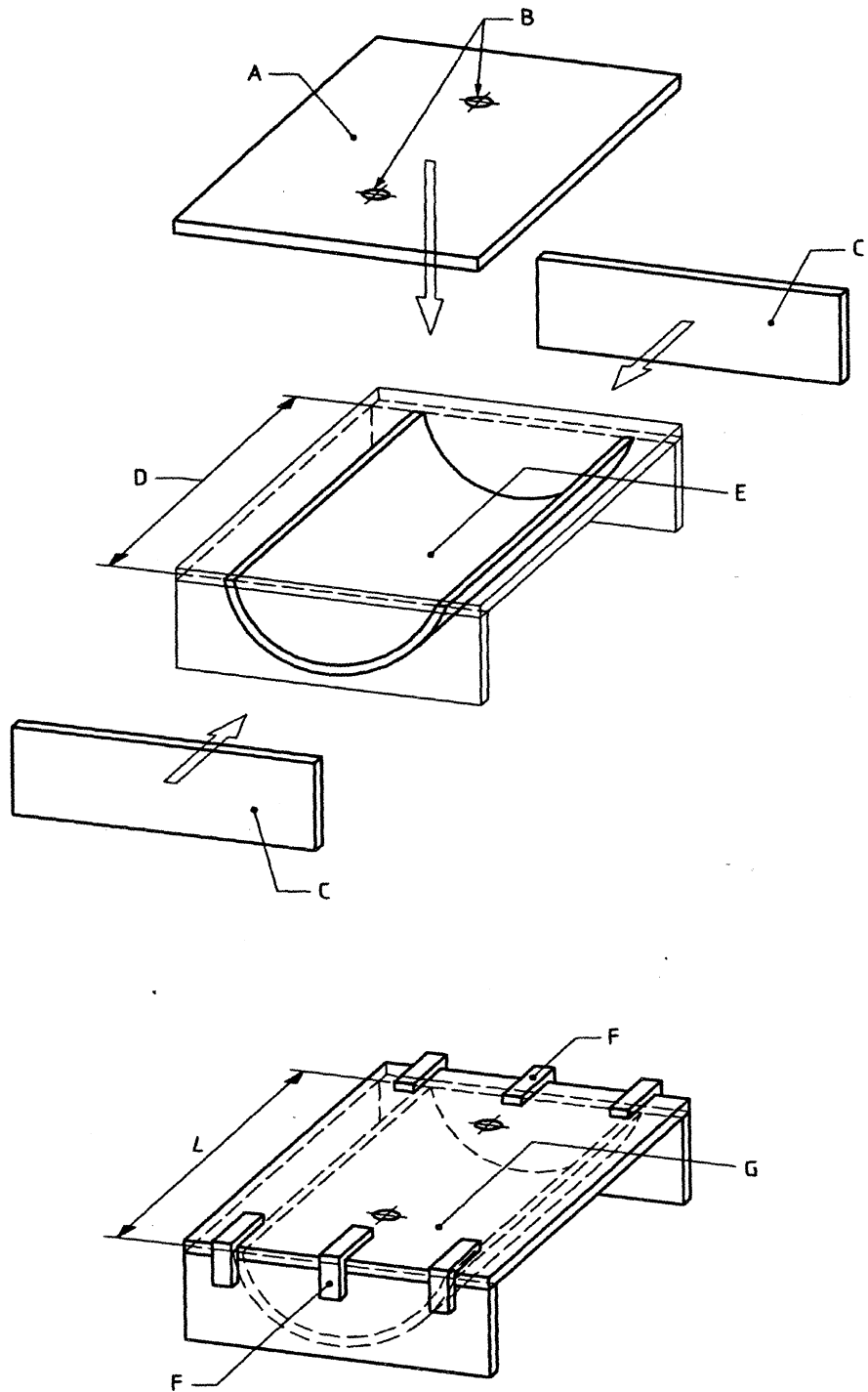
Use one of the test arrangements shown in Figures B.1 and B.2 and calculate the dimensions of the test piece for test arrangement 1 according to B.3.

Take precautions to ensure that there is no loss of test liquid during the migration periods.

B.3 Sealing

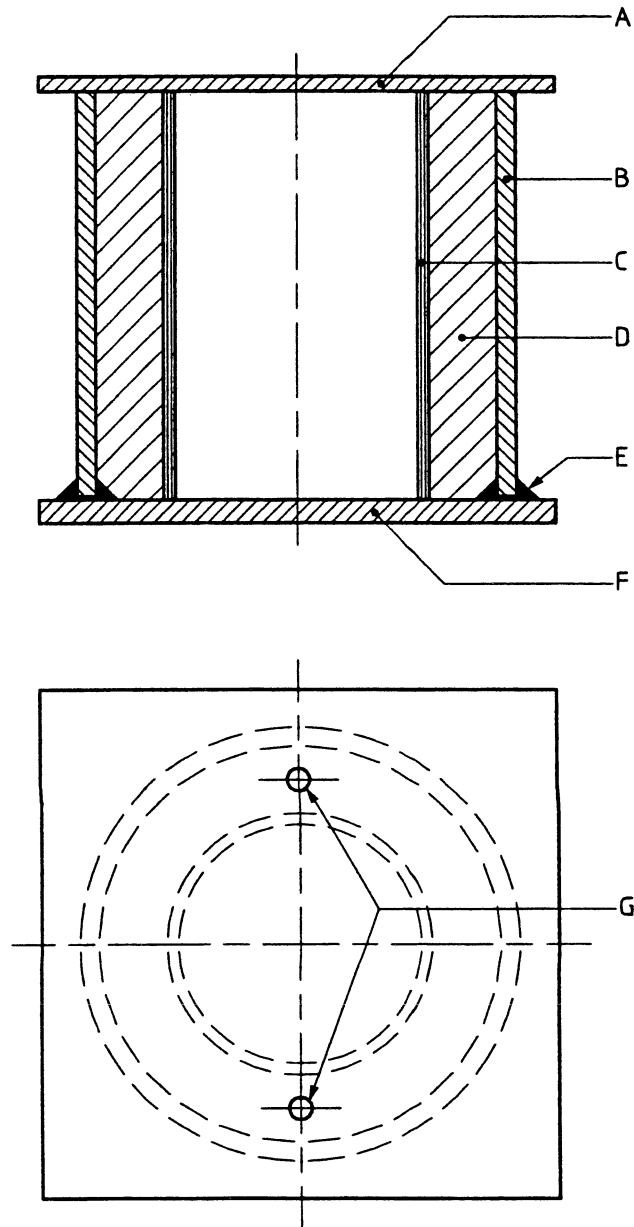
Seal the test assembly by mechanical fixing as follows.

Secure the end pieces against the test piece(s) to provide a seal e.g. by means of clamps or bolts. If a seal cannot be achieved then use PTFE tape or film in the form of a gasket, with minimal surface in contact with test liquid (see 7.1).



- Key**
- A Cover of glass or stainless steel
 - B Filling and/or air-escape hole
 - C End piece of stainless steel
 - D Length of test piece (L)
 - E Test piece
 - F Clamps or bolts
 - G Test piece completely filled with test liquid

Figure B.1 — Test arrangement 1

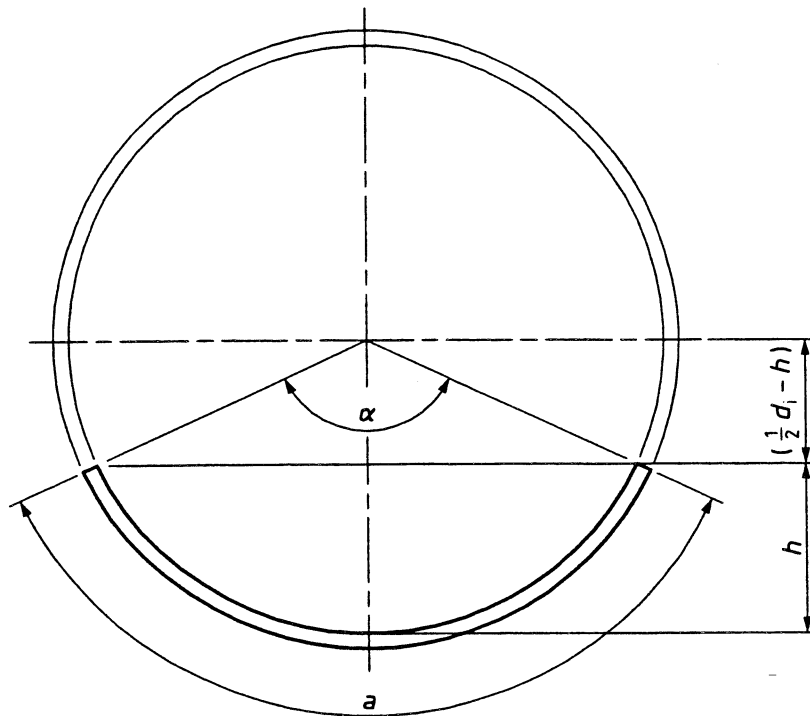


- Key**
- A Top plate of glass or stainless steel
 - B Wall of the test piece
 - C Cylinder of glass or stainless steel
 - D Test liquid (completely filled)
 - E PTFE seal between test piece and plate
 - F Bottom plate of glass or stainless steel
 - G Filling and/or air-escape hole in top plate

Figure B.2 — Test arrangement 2

B.4 Calculation of the S/V value for test arrangement 1

Calculate the S/V value for test arrangement B.1 when S and V are calculated as follows.



Key
a Arc length pipe segment
h Height pipe segment

Figure B.3 — Cross-section of a circular segment

From the cross-section of the circular segment, calculate the arc length, a , and the surface area, A , of the hatched circle segment using the following equations:

$$a = \frac{\alpha}{360} \times \pi d_i \quad (\text{B.1})$$

where:

- a is the arc length, in millimetres;
- d_i is the internal diameter of the test piece from which the segment is taken, in millimetres;
- α is the sector angle, in degrees i.e.

$$\cos\left(\frac{1}{2}\alpha\right) = \frac{d_i - 2h}{d_i} \quad (\text{B.2})$$

where:

h is the height of the segment, in millimetres.

$$A = \left[\frac{\alpha}{360} \times \frac{1}{4} \pi d_i^2 \right] - \left[\left(\frac{1}{2} d_i - h \right)^2 \times \tan\left(\frac{1}{2}\alpha\right) \right] \quad (\text{B.3})$$

where:

- A is the surface area of the hatched circle segment, in square millimetres (mm^2);
- α is the sector angle, in degrees;
- h is the height of the segment, in millimetres;
- d_i is the internal diameter of the test piece from which the segment is taken, in millimetres.

$$S = 10^{-4} \times a \times L \quad (\text{B.4})$$

where:

- S is the surface area of the test piece (pipe segment) exposed to the test liquid, in square decimetres (dm^2);
- a is the arc length of the circular segment, in millimetres;
- L is the length of the circular segment, in millimetres.

$$V = 10^{-6} \times A \times L \quad (\text{B.5})$$

where:

- V is the volume of the test liquid, in litres;
- A is the surface area of the surface area of the hatched circle segment, in square millimetres (mm^2);
- L is the length of the circular segment, in millimetres.

Bibliography

Directive 98/83/EC, *Directive of the Council of 5 November 1998 on the quality of the water intended for human consumption*

BSI — British Standards Institution

BSI is the independent national body responsible for preparing British Standards. It presents the UK view on standards in Europe and at the international level. It is incorporated by Royal Charter.

Revisions

British Standards are updated by amendment or revision. Users of British Standards should make sure that they possess the latest amendments or editions.

It is the constant aim of BSI to improve the quality of our products and services. We would be grateful if anyone finding an inaccuracy or ambiguity while using this British Standard would inform the Secretary of the technical committee responsible, the identity of which can be found on the inside front cover. Tel: +44 (0)20 8996 9000. Fax: +44 (0)20 8996 7400.

BSI offers members an individual updating service called PLUS which ensures that subscribers automatically receive the latest editions of standards.

Buying standards

Orders for all BSI, international and foreign standards publications should be addressed to Customer Services. Tel: +44 (0)20 8996 9001. Fax: +44 (0)20 8996 7001. Email: orders@bsi-global.com. Standards are also available from the BSI website at <http://www.bsi-global.com>.

In response to orders for international standards, it is BSI policy to supply the BSI implementation of those that have been published as British Standards, unless otherwise requested.

Information on standards

BSI provides a wide range of information on national, European and international standards through its Library and its Technical Help to Exporters Service. Various BSI electronic information services are also available which give details on all its products and services. Contact the Information Centre. Tel: +44 (0)20 8996 7111. Fax: +44 (0)20 8996 7048. Email: info@bsi-global.com.

Subscribing members of BSI are kept up to date with standards developments and receive substantial discounts on the purchase price of standards. For details of these and other benefits contact Membership Administration. Tel: +44 (0)20 8996 7002. Fax: +44 (0)20 8996 7001. Email: membership@bsi-global.com.

Information regarding online access to British Standards via British Standards Online can be found at <http://www.bsi-global.com/bsonline>.

Further information about BSI is available on the BSI website at <http://www.bsi-global.com>.

Copyright

Copyright subsists in all BSI publications. BSI also holds the copyright, in the UK, of the publications of the international standardization bodies. Except as permitted under the Copyright, Designs and Patents Act 1988 no extract may be reproduced, stored in a retrieval system or transmitted in any form or by any means – electronic, photocopying, recording or otherwise – without prior written permission from BSI.

This does not preclude the free use, in the course of implementing the standard, of necessary details such as symbols, and size, type or grade designations. If these details are to be used for any other purpose than implementation then the prior written permission of BSI must be obtained.

Details and advice can be obtained from the Copyright & Licensing Manager. Tel: +44 (0)20 8996 7070. Fax: +44 (0)20 8996 7553. Email: copyright@bsi-global.com.