

BS EN ISO 8674:2012



BSI Standards Publication

Hexagon high nuts (style 2) with metric fine pitch thread — Product grades A and B

bsi.

...making excellence a habit.™

National foreword

This British Standard is the UK implementation of EN ISO 8674:2012. It supersedes BS EN ISO 8674:2001 which is withdrawn.

The UK participation in its preparation was entrusted to Technical Committee FME/9, Fasteners.

A list of organizations represented on this committee can be obtained on request to its secretary.

This publication does not purport to include all the necessary provisions of a contract. Users are responsible for its correct application.

© The British Standards Institution 2013.
Published by BSI Standards Limited 2013

ISBN 978 0 580 78563 4

ICS 21.060.20

Compliance with a British Standard cannot confer immunity from legal obligations.

This British Standard was published under the authority of the Standards Policy and Strategy Committee on 31 January 2013.

Amendments issued since publication

Date	Text affected
------	---------------

EUROPEAN STANDARD

EN ISO 8674

NORME EUROPÉENNE

EUROPÄISCHE NORM

December 2012

ICS 21.060.20

Supersedes EN ISO 8674:2000

English Version

Hexagon high nuts (style 2) with metric fine pitch thread - Product grades A and B (ISO 8674:2012)

Écrous hexagonaux hauts (style 2) à filetage métrique à
pas fin - Grades A et B (ISO 8674:2012)

Sechskantmuttern, Typ 2, mit metrischem Feingewinde -
Produktklassen A und B (ISO 8674:2012)

This European Standard was approved by CEN on 15 November 2012.

CEN members are bound to comply with the CEN/CENELEC Internal Regulations which stipulate the conditions for giving this European Standard the status of a national standard without any alteration. Up-to-date lists and bibliographical references concerning such national standards may be obtained on application to the CEN-CENELEC Management Centre or to any CEN member.

This European Standard exists in three official versions (English, French, German). A version in any other language made by translation under the responsibility of a CEN member into its own language and notified to the CEN-CENELEC Management Centre has the same status as the official versions.

CEN members are the national standards bodies of Austria, Belgium, Bulgaria, Croatia, Cyprus, Czech Republic, Denmark, Estonia, Finland, Former Yugoslav Republic of Macedonia, France, Germany, Greece, Hungary, Iceland, Ireland, Italy, Latvia, Lithuania, Luxembourg, Malta, Netherlands, Norway, Poland, Portugal, Romania, Slovakia, Slovenia, Spain, Sweden, Switzerland, Turkey and United Kingdom.



EUROPEAN COMMITTEE FOR STANDARDIZATION
COMITÉ EUROPÉEN DE NORMALISATION
EUROPÄISCHES KOMITEE FÜR NORMUNG

Management Centre: Avenue Marnix 17, B-1000 Brussels

Foreword

This document (EN ISO 8674:2012) has been prepared by Technical Committee ISO/TC 2 "Fasteners" in collaboration with Technical Committee CEN/TC 185 "Fasteners" the secretariat of which is held by DIN.

This European Standard shall be given the status of a national standard, either by publication of an identical text or by endorsement, at the latest by June 2013, and conflicting national standards shall be withdrawn at the latest by June 2013.

Attention is drawn to the possibility that some of the elements of this document may be the subject of patent rights. CEN [and/or CENELEC] shall not be held responsible for identifying any or all such patent rights.

This document supersedes EN ISO 8674:2000.

According to the CEN/CENELEC Internal Regulations, the national standards organizations of the following countries are bound to implement this European Standard: Austria, Belgium, Bulgaria, Croatia, Cyprus, Czech Republic, Denmark, Estonia, Finland, Former Yugoslav Republic of Macedonia, France, Germany, Greece, Hungary, Iceland, Ireland, Italy, Latvia, Lithuania, Luxembourg, Malta, Netherlands, Norway, Poland, Portugal, Romania, Slovakia, Slovenia, Spain, Sweden, Switzerland, Turkey and the United Kingdom.

Endorsement notice

The text of ISO 8674:2012 has been approved by CEN as a EN ISO 8674:2012 without any modification.

Contents

Page

Foreword	iv
Introduction	v
1 Scope	1
2 Normative references	1
3 Dimensions	1
4 Requirements and reference International Standards	3
5 Designation	3
Bibliography	4

Foreword

ISO (the International Organization for Standardization) is a worldwide federation of national standards bodies (ISO member bodies). The work of preparing International Standards is normally carried out through ISO technical committees. Each member body interested in a subject for which a technical committee has been established has the right to be represented on that committee. International organizations, governmental and non-governmental, in liaison with ISO, also take part in the work. ISO collaborates closely with the International Electrotechnical Commission (IEC) on all matters of electrotechnical standardization.

International Standards are drafted in accordance with the rules given in the ISO/IEC Directives, Part 2.

The main task of technical committees is to prepare International Standards. Draft International Standards adopted by the technical committees are circulated to the member bodies for voting. Publication as an International Standard requires approval by at least 75 % of the member bodies casting a vote.

Attention is drawn to the possibility that some of the elements of this document may be the subject of patent rights. ISO shall not be held responsible for identifying any or all such patent rights.

ISO 8674 was prepared by Technical Committee ISO/TC 2, *Fasteners*, Subcommittee SC 12, *Fasteners with metric internal thread*.

This third edition cancels and replaces the second edition (ISO 8674:1999), of which it constitutes a minor revision.

Introduction

This International Standard belongs to a complete group of product standards developed by ISO on external hexagon drive fasteners. It comprises the following:

- a) hexagon head bolts (ISO 4014, ISO 4015, ISO 4016 and ISO 8765);
- b) hexagon head screws (ISO 4017, ISO 4018 and ISO 8676);
- c) hexagon nuts (ISO 4032, ISO 4033, ISO 4034, ISO 4035, ISO 4036, ISO 7040, ISO 7041, ISO 7042, ISO 7719, ISO 7720, ISO 8673, ISO 8674, ISO 8675, ISO 10511, ISO 10512 and ISO 10513);
- d) hexagon bolts with flange (ISO 4162, ISO 15071 and ISO 15072);
- e) hexagon nuts with flange (ISO 4161, ISO 7043, ISO 7044, ISO 10663, ISO 12125, ISO 12126 and ISO 21670).

Hexagon high nuts (style 2) with metric fine pitch thread — Product grades A and B

1 Scope

This International Standard specifies the characteristics of hexagon high nuts (style 2) with metric fine pitch thread, with nominal thread diameters, D , from 8 mm up to and including 36 mm, with product grade A for sizes $D \leq 16$ mm and product grade B for sizes $D > 16$ mm.

If, in special cases, specifications other than those listed in this International Standard are required, they can be selected from existing International Standards, for example ISO 724, ISO 898-2, ISO 965-1 and ISO 4759-1.

2 Normative references

The following documents, in whole or in part, are normatively referenced in this document and are indispensable to its application. For undated references, the latest edition of the referenced document (including any amendments) applies.

ISO 225, *Fasteners — Bolts, screws, studs and nuts — Symbols and descriptions of dimensions*

ISO 724, *ISO general-purpose metric screw threads — Basic dimensions*

ISO 898-2, *Mechanical properties of fasteners made of carbon steel and alloy steel — Part 2: Nuts with specified property classes — Coarse thread and fine pitch thread*

ISO 965-1, *ISO general-purpose metric screw threads — Tolerances — Part 1: Principles and basic data*

ISO 3269, *Fasteners — Acceptance inspection*

ISO 4042, *Fasteners — Electroplated coatings*

ISO 4759-1, *Tolerances for fasteners — Part 1: Bolts, screws, studs and nuts — Product grades A, B and C*

ISO 6157-2, *Fasteners — Surface discontinuities — Part 2: Nuts*

ISO 8839, *Mechanical properties of fasteners — Bolts, screws, studs and nuts made of non-ferrous metals*

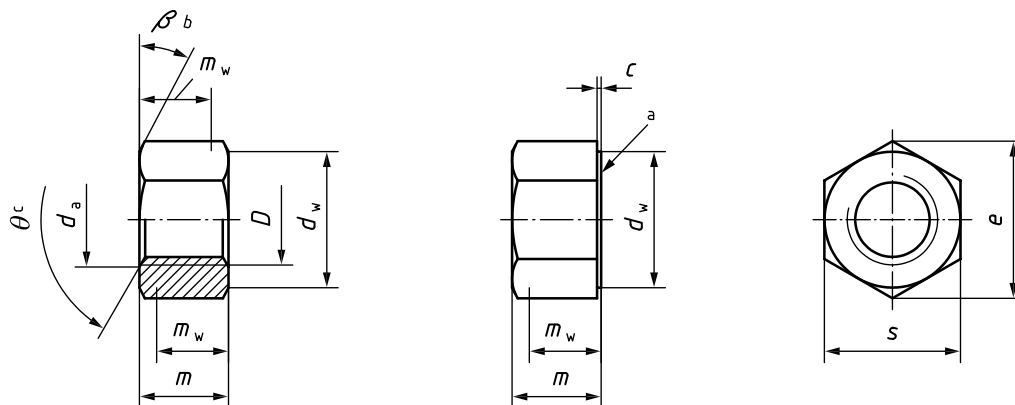
ISO 8992, *Fasteners — General requirements for bolts, screws, studs and nuts*

ISO 10683, *Fasteners — Non-electrolytically applied zinc flake coatings*

3 Dimensions

See Figure 1 and Tables 1 and 2.

Symbols and descriptions of dimensions are specified in ISO 225.



- a Unless otherwise specified at the time of order, the nuts are delivered without washer-face.
 b $\beta = 15^\circ$ to 30° .
 c $\theta = 90^\circ$ to 120° .

Figure 1

Table 1 — Preferred threads

Dimensions in millimetres

Thread ($D \times P$)	M8×1	M10×1	M12×1,5	M16×1,5	M20×1,5	M24×2	M30×2	M36×3
c	max.	0,60	0,60	0,60	0,80	0,80	0,80	0,80
	min.	0,15	0,15	0,15	0,20	0,20	0,20	0,20
d_a	max.	8,75	10,80	13,00	17,30	21,60	25,90	32,40
	min.	8,00	10,00	12,00	16,00	20,00	24,00	30,00
d_w	min.	11,63	14,63	16,63	22,49	27,70	33,25	42,75
e	min.	14,38	17,77	20,03	26,75	32,95	39,55	50,85
m	max.	7,50	9,30	12,00	16,40	20,30	23,90	28,60
	min.	7,14	8,94	11,57	15,70	19,00	22,60	27,30
m_w	min.	5,71	7,15	9,26	12,56	15,20	18,08	21,84
s	nom. = max.	13,00	16,00	18,00	24,00	30,00	36,00	46,00
	min.	12,73	15,73	17,73	23,67	29,16	35,00	45,00

Table 2 — Non-preferred threads

Dimensions in millimetres

Thread ($D \times P$)	M10×1,25	M12×1,25	M14×1,5	M18×1,5	M20×2	M22×1,5	M27×2	M33×2
c	max.	0,60	0,60	0,60	0,80	0,80	0,80	0,80
	min.	0,15	0,15	0,15	0,20	0,20	0,20	0,20
d_a	max.	10,80	13,00	15,10	19,50	21,60	23,70	29,10
	min.	10,00	12,00	14,00	18,00	20,00	22,00	27,00
d_w	min.	14,63	16,63	19,64	24,85	27,70	31,35	38,00
e	min.	17,77	20,03	23,36	29,56	32,95	37,29	45,20
m	max.	9,30	12,00	14,10	17,60	20,30	21,80	26,70
	min.	8,94	11,57	13,40	16,90	19,00	20,50	25,40
m_w	min.	7,15	9,26	10,72	13,52	15,20	16,40	20,32
s	nom. = max.	16,00	18,00	21,00	27,00	30,00	34,00	41,00
	min.	15,73	17,73	20,67	26,16	29,16	33,00	40,00

4 Requirements and reference International Standards

See Table 3.

Table 3 — Requirements and reference International Standards

Material		Steel
General requirements	International Standard	ISO 8992
Thread	Tolerance class	6H
	International Standards	ISO 724, ISO 965-1
Mechanical properties	Property class	$D \leq 16$ mm: 8, 12 $D \leq 36$ mm: 10
	International Standard	ISO 898-2
Tolerance	Product grade	$D \leq 16$ mm: A $D > 16$ mm: B
	International Standard	ISO 4759-1
Finish — Coating		As processed Requirements for electroplating are specified in ISO 4042. Requirements for non-electrolytically applied zinc flake coatings are specified in ISO 10683. Additional requirements or other finishes or coatings shall be agreed between the supplier and the purchaser.
Surface integrity		Limits for surface discontinuities are specified in ISO 6157-2.
Acceptability		Acceptance inspection is specified in ISO 3269.

5 Designation

EXAMPLE A hexagon high nut (style 2) with thread M16 × 1,5 and property class 12 is designated as follows:

Hexagon high nut ISO 8674 - M16 × 1,5 - 12

Bibliography

- [1] ISO 4014, *Hexagon head bolts — Product grades A and B*
- [2] ISO 4015, *Hexagon head bolts — Product grade B — Reduced shank (shank diameter approximately equal to pitch diameter)*
- [3] ISO 4016, *Hexagon head bolts — Product grade C*
- [4] ISO 4017, *Hexagon head screws — Product grades A and B*
- [5] ISO 4018, *Hexagon head screws — Product grade C*
- [6] ISO 4032, *Hexagon regular nuts (style 1) — Product grades A and B*
- [7] ISO 4033, *Hexagon high nuts (style 2) — Product grades A and B*
- [8] ISO 4034, *Hexagon regular nuts (style 1) — Product grade C*
- [9] ISO 4035, *Hexagon thin nuts chamfered (style 0) — Product grades A and B*
- [10] ISO 4036, *Hexagon thin nuts unchamfered (style 0) — Product grade B*
- [11] ISO 4161, *Hexagon nuts with flange, style 2 — Coarse thread*
- [12] ISO 4162, *Hexagon flange bolts — Small series — Product grade A with driving feature of product grade B*
- [13] ISO 7040, *Prevailing torque type hexagon regular nuts (with non-metallic insert) — Property classes 5, 8 and 10*
- [14] ISO 7041, *Prevailing torque type hexagon nuts (with non-metallic insert), style 2 — Property classes 9 and 12*
- [15] ISO 7042, *Prevailing torque type all-metal hexagon high nuts — Property classes 5, 8, 10 and 12*
- [16] ISO 7043, *Prevailing torque type hexagon nuts with flange (with non-metallic insert) — Product grades A and B*
- [17] ISO 7044, *Prevailing torque type all-metal hexagon nuts with flange — Product grades A and B*
- [18] ISO 7719, *Prevailing torque type all-metal hexagon regular nuts — Property classes 5, 8 and 10*
- [19] ISO 7720, *Prevailing torque type all-metal hexagon nuts, style 2 — Property class 9*
- [20] ISO 8673, *Hexagon regular nuts (style 1) with metric fine pitch thread — Product grades A and B*
- [21] ISO 8675, *Hexagon thin nuts chamfered (style 0) with metric fine pitch thread — Product grades A and B*
- [22] ISO 8676, *Hexagon head screws with metric fine pitch thread — Product grades A and B*
- [23] ISO 8765, *Hexagon head bolts with metric fine pitch thread — Product grades A and B*
- [24] ISO 10511, *Prevailing torque type hexagon thin nuts (with non-metallic insert)*
- [25] ISO 10512, *Prevailing torque type hexagon regular nuts (with non-metallic insert) with metric fine pitch thread — Property classes 6, 8 and 10*
- [26] ISO 10513, *Prevailing torque type all-metal hexagon high nuts with metric fine pitch thread — Property classes 8, 10 and 12*
- [27] ISO 10663, *Hexagon nuts with flange, style 2 — Fine pitch thread*

- [28] ISO 12125, *Prevailing torque type hexagon nuts with flange (with non-metallic insert) with metric fine pitch thread, style 2 — Product grades A and B*
- [29] ISO 12126, *Prevailing torque type all-metal hexagon nuts with flange with metric fine pitch thread, style 2 — Product grades A and B*
- [30] ISO 15071, *Hexagon bolts with flange — Small series — Product grade A*
- [31] ISO 15072, *Hexagon bolts with flange with metric fine pitch thread — Small series — Product grade A*
- [32] ISO 21670, *Hexagon weld nuts with flange*

British Standards Institution (BSI)

BSI is the national body responsible for preparing British Standards and other standards-related publications, information and services.

BSI is incorporated by Royal Charter. British Standards and other standardization products are published by BSI Standards Limited.

About us

We bring together business, industry, government, consumers, innovators and others to shape their combined experience and expertise into standards-based solutions.

The knowledge embodied in our standards has been carefully assembled in a dependable format and refined through our open consultation process. Organizations of all sizes and across all sectors choose standards to help them achieve their goals.

Information on standards

We can provide you with the knowledge that your organization needs to succeed. Find out more about British Standards by visiting our website at bsigroup.com/standards or contacting our Customer Services team or Knowledge Centre.

Buying standards

You can buy and download PDF versions of BSI publications, including British and adopted European and international standards, through our website at bsigroup.com/shop, where hard copies can also be purchased.

If you need international and foreign standards from other Standards Development Organizations, hard copies can be ordered from our Customer Services team.

Subscriptions

Our range of subscription services are designed to make using standards easier for you. For further information on our subscription products go to bsigroup.com/subscriptions.

With **British Standards Online (BSOL)** you'll have instant access to over 55,000 British and adopted European and international standards from your desktop. It's available 24/7 and is refreshed daily so you'll always be up to date.

You can keep in touch with standards developments and receive substantial discounts on the purchase price of standards, both in single copy and subscription format, by becoming a **BSI Subscribing Member**.

PLUS is an updating service exclusive to BSI Subscribing Members. You will automatically receive the latest hard copy of your standards when they're revised or replaced.

To find out more about becoming a BSI Subscribing Member and the benefits of membership, please visit bsigroup.com/shop.

With a **Multi-User Network Licence (MUNL)** you are able to host standards publications on your intranet. Licences can cover as few or as many users as you wish. With updates supplied as soon as they're available, you can be sure your documentation is current. For further information, email bsmusales@bsigroup.com.

BSI Group Headquarters

389 Chiswick High Road London W4 4AL UK

Revisions

Our British Standards and other publications are updated by amendment or revision.

We continually improve the quality of our products and services to benefit your business. If you find an inaccuracy or ambiguity within a British Standard or other BSI publication please inform the Knowledge Centre.

Copyright

All the data, software and documentation set out in all British Standards and other BSI publications are the property of and copyrighted by BSI, or some person or entity that owns copyright in the information used (such as the international standardization bodies) and has formally licensed such information to BSI for commercial publication and use. Except as permitted under the Copyright, Designs and Patents Act 1988 no extract may be reproduced, stored in a retrieval system or transmitted in any form or by any means – electronic, photocopying, recording or otherwise – without prior written permission from BSI. Details and advice can be obtained from the Copyright & Licensing Department.

Useful Contacts:

Customer Services

Tel: +44 845 086 9001

Email (orders): orders@bsigroup.com

Email (enquiries): cservices@bsigroup.com

Subscriptions

Tel: +44 845 086 9001

Email: subscriptions@bsigroup.com

Knowledge Centre

Tel: +44 20 8996 7004

Email: knowledgecentre@bsigroup.com

Copyright & Licensing

Tel: +44 20 8996 7070

Email: copyright@bsigroup.com



...making excellence a habit.™