

BS EN ISO 8394-1:2010



BSI Standards Publication

Building construction — Jointing products

Part 1: Determination of extrudability of
sealants

bsi.

...making excellence a habit.™

Version correct as of 03/01/2015. (c) The British Standards Institution 2013 Licensed copy: Lee Shau Kee Library, HKUST. Version correct as of 03/01/2015. (c) The British Standards Institution 2013 Licensed copy: Lee Shau Kee Library, HKUST.

National foreword

This British Standard is the UK implementation of EN ISO 8394-1:2010. Together with BS EN ISO 8394-2:2010, it supersedes BS EN 28394:1991 which is withdrawn.

The UK participation in its preparation was entrusted to Technical Committee B/547, Sealants for building and construction.

A list of organizations represented on this committee can be obtained on request to its secretary.

This publication does not purport to include all the necessary provisions of a contract. Users are responsible for its correct application.

© BSI 2010

ISBN 978 0 580 59923 1

ICS 91.100.50

Compliance with a British Standard cannot confer immunity from legal obligations.

This British Standard was published under the authority of the Standards Policy and Strategy Committee on 30 November 2010.

Amendments issued since publication

Date	Text affected
------	---------------

English Version

Building construction - Jointing products - Part 1: Determination of extrudability of sealants (ISO 8394-1:2010)

Construction immobilière - Produits pour joints - Partie 1:
Détermination de l'extrudabilité des mastics (ISO 8394-
1:2010)

Hochbau - Fugendichtstoffe - Teil 1: Bestimmung der
Verarbeitbarkeit von Dichtstoffen (ISO 8394-1:2010)

This European Standard was approved by CEN on 30 September 2010.

CEN members are bound to comply with the CEN/CENELEC Internal Regulations which stipulate the conditions for giving this European Standard the status of a national standard without any alteration. Up-to-date lists and bibliographical references concerning such national standards may be obtained on application to the CEN Management Centre or to any CEN member.

This European Standard exists in three official versions (English, French, German). A version in any other language made by translation under the responsibility of a CEN member into its own language and notified to the CEN Management Centre has the same status as the official versions.

CEN members are the national standards bodies of Austria, Belgium, Bulgaria, Croatia, Cyprus, Czech Republic, Denmark, Estonia, Finland, France, Germany, Greece, Hungary, Iceland, Ireland, Italy, Latvia, Lithuania, Luxembourg, Malta, Netherlands, Norway, Poland, Portugal, Romania, Slovakia, Slovenia, Spain, Sweden, Switzerland and United Kingdom.



EUROPEAN COMMITTEE FOR STANDARDIZATION
COMITÉ EUROPÉEN DE NORMALISATION
EUROPÄISCHES KOMITEE FÜR NORMUNG

Management Centre: Avenue Marnix 17, B-1000 Brussels

Foreword

The text of ISO 8394-1:2010 has been prepared by Technical Committee ISO/TC 59 “Buildings and civil engineering works” of the International Organization for Standardization (ISO) and has been taken over as EN ISO 8394-1:2010 by Technical Committee CEN/TC 349 “Sealants for joints in building construction” the secretariat of which is held by AFNOR.

This European Standard shall be given the status of a national standard, either by publication of an identical text or by endorsement, at the latest by April 2011, and conflicting national standards shall be withdrawn at the latest by April 2011.

Attention is drawn to the possibility that some of the elements of this document may be the subject of patent rights. CEN [and/or CENELEC] shall not be held responsible for identifying any or all such patent rights.

This document supersedes EN 28394:1990.

According to the CEN/CENELEC Internal Regulations, the national standards organizations of the following countries are bound to implement this European Standard: Austria, Belgium, Bulgaria, Croatia, Cyprus, Czech Republic, Denmark, Estonia, Finland, France, Germany, Greece, Hungary, Iceland, Ireland, Italy, Latvia, Lithuania, Luxembourg, Malta, Netherlands, Norway, Poland, Portugal, Romania, Slovakia, Slovenia, Spain, Sweden, Switzerland and the United Kingdom.

Endorsement notice

The text of ISO 8394-1:2010 has been approved by CEN as a EN ISO 8394-1:2010 without any modification.

Foreword

ISO (the International Organization for Standardization) is a worldwide federation of national standards bodies (ISO member bodies). The work of preparing International Standards is normally carried out through ISO technical committees. Each member body interested in a subject for which a technical committee has been established has the right to be represented on that committee. International organizations, governmental and non-governmental, in liaison with ISO, also take part in the work. ISO collaborates closely with the International Electrotechnical Commission (IEC) on all matters of electrotechnical standardization.

International Standards are drafted in accordance with the rules given in the ISO/IEC Directives, Part 2.

The main task of technical committees is to prepare International Standards. Draft International Standards adopted by the technical committees are circulated to the member bodies for voting. Publication as an International Standard requires approval by at least 75 % of the member bodies casting a vote.

Attention is drawn to the possibility that some of the elements of this document may be the subject of patent rights. ISO shall not be held responsible for identifying any or all such patent rights.

ISO 8394-1 was prepared by Technical Committee ISO/TC 59, *Building construction*, Subcommittee SC 8, *Jointing products*.

ISO 8394 consists of the following parts, under the general title *Building construction — Jointing products*

- *Part 1: Determination of extrudability of sealants*
- *Part 2: Determination of extrudability of sealants using standardized apparatus*

This first edition of ISO 8394-1, together with ISO 8394-2, cancels and replaces ISO 8394:1988, which has been technically revised.

Building construction — Jointing products —

Part 1: Determination of extrudability of sealants

1 Scope

This part of ISO 8394 specifies a method for determining the extrudability of sealants.

The method is for use in testing the extrudability of a sealant. It is not applicable to the classification of sealants.

2 Normative references

The following referenced documents are indispensable for the application of this document. For dated references, only the edition cited applies. For undated references, the latest edition of the referenced document (including any amendments) applies.

ISO 6927, *Building construction — Jointing products — Sealants — Vocabulary*

3 Terms and definitions

For the purposes of this document, the terms and definitions given in ISO 6927 apply.

4 Principle

A sealant is extruded from its package, under defined conditions. The mass of the extruded sealant is determined.

This part of ISO 8394 indicates reference test conditions, such as temperature, pressure, extrusion time, geometry of nozzle. Deviation from these conditions is possible. Deviation modifies the final result; therefore, any deviation shall be described in the test report. The comparison of results is possible, only if all the test conditions are the same.

5 Apparatus

5.1 Enclosure, regulated to (5 ± 2) °C, (23 ± 2) °C, (35 ± 2) °C or a temperature agreed on by the parties concerned.

5.2 Nozzle, as specified in this subclause, shall be used in conjunction with the package. The dimensions and nature of the nozzle shall be determined by the parties concerned.

The nozzle shall be either

- metallic (see Figures 1 and 2 for the dimensions of two different metallic nozzles), or
- plastic. The plastic nozzle shall be cut at internal diameter of between 3 mm and 6 mm. The default internal diameter shall be 6 mm. Acceptable tolerances of the internal diameter shall be $\pm 5\%$.

5.3 Pneumatically operated extrusion gun, supplied with compressed air up to 700 kPa.

5.4 Stopwatch, accurate to 0,1 s.

5.5 Balance, accurate to 0,1 g.

6 General

For each tested sealant, perform three extrusion tests.

For each extrusion test, use one package.

Perform the three measurements under the same conditions (same batch number, temperature, nozzle and diameter, same pressure, etc.).

7 Conditioning

Condition the three packages containing the tested sealant, at the testing temperature in the regulated enclosure (5.1) for a minimum of 12 h, before testing.

The default conditioning temperature is $(23 \pm 2)^\circ\text{C}$.

This conditioning temperature may be at $(5 \pm 2)^\circ\text{C}$, $(23 \pm 2)^\circ\text{C}$ or $(35 \pm 2)^\circ\text{C}$, or a temperature agreed on by the parties concerned.

8 Test procedure

The measurements may be carried out at usual laboratory room temperature. All the following operations shall be carried out within 5 min.

Prepare the packages, removing all elements which can prevent the extrusion of the sealant during testing (i.e. screw, setting, internal membrane between the nozzle and the cartridge).

Attach the nozzle (5.2), at the end of the package. This test of extrudability may be also performed with any other metallic or plastic nozzles, as agreed on by the parties concerned.

Insert the package in the pneumatic gun (5.3).

Extrude sufficient sealant to remove the air from the nozzle.

Set the air pressure of the compressor to (300 ± 10) kPa, or a pressure agreed on by the parties concerned.

Extrude the sealant out of the package for 30 s. Measure this time with the stopwatch (5.4). Do not take into account the quantity of sealant coming out of the nozzle after the end of test time.

The package shall not be empty after testing.

NOTE In the case of a low viscosity sealant, the extrusion time can be lower. In the case of a high viscosity sealant, the extrusion time can be higher.

After the pneumatic extrusion, weigh the quantity of extruded sealant, with the balance (5.5).

9 Expression of results

9.1 Extrusion rate, expressed as mass per minute

The result of each measurement, expressed in grams of extruded sealant per minute, is rounded to the nearest gram, using Equation (1):

$$E_m = \frac{m \times 60}{t} \quad (1)$$

where

E_m is the extrusion rate of the sealant, expressed in grams per minute;

m is the mass of the extruded sealant, expressed in grams;

t is the time of extrusion, expressed in seconds.

Calculate the mean value of the three measurements, rounded to the nearest gram per minute.

9.2 Extrusion rate, expressed as volume per minute

If needed, the result can be expressed in millilitres of extruded sealant per minute, rounded to the nearest millilitre, using Equation (2):

$$E_v = \frac{E_m}{D} \quad (2)$$

where

E_v is the extrusion rate of the sealant, expressed in millilitres per minute;

E_m is the extrusion rate of the sealant, expressed in grams per minute;

D is the density of the sealant, expressed to 2 decimal places, at the test temperature of the sealant.

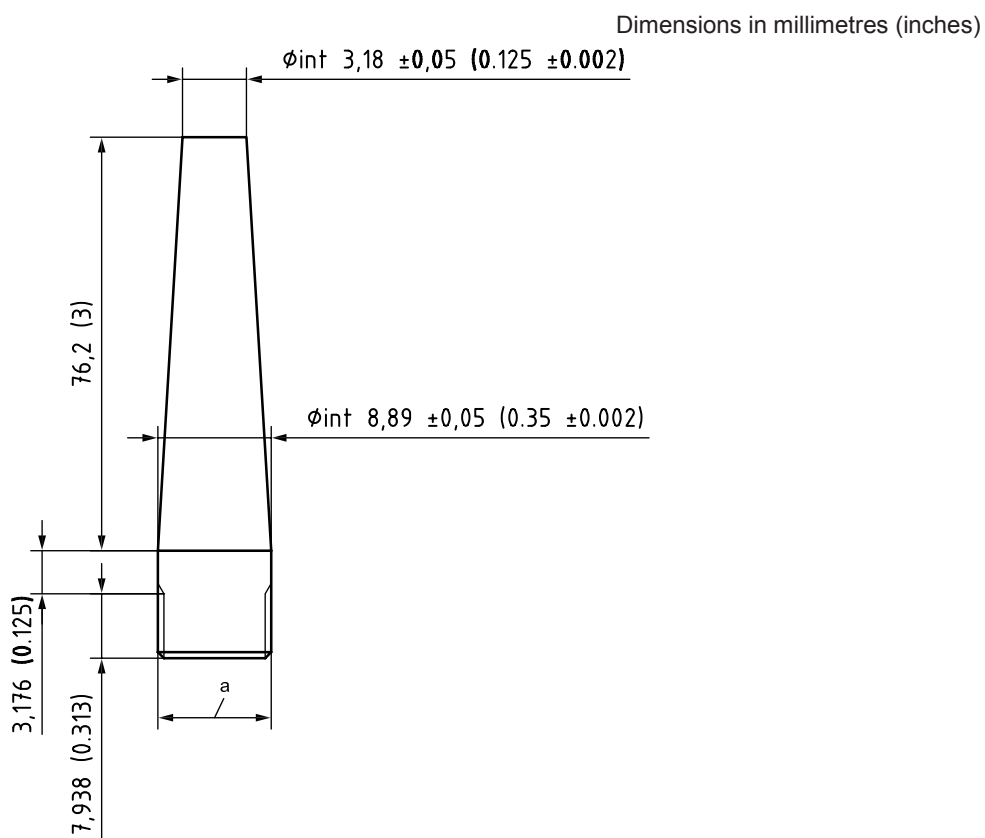
Calculate the mean value of the three values of E_v , rounded to the nearest millilitre per minute.

10 Test report

The test report shall contain the following information:

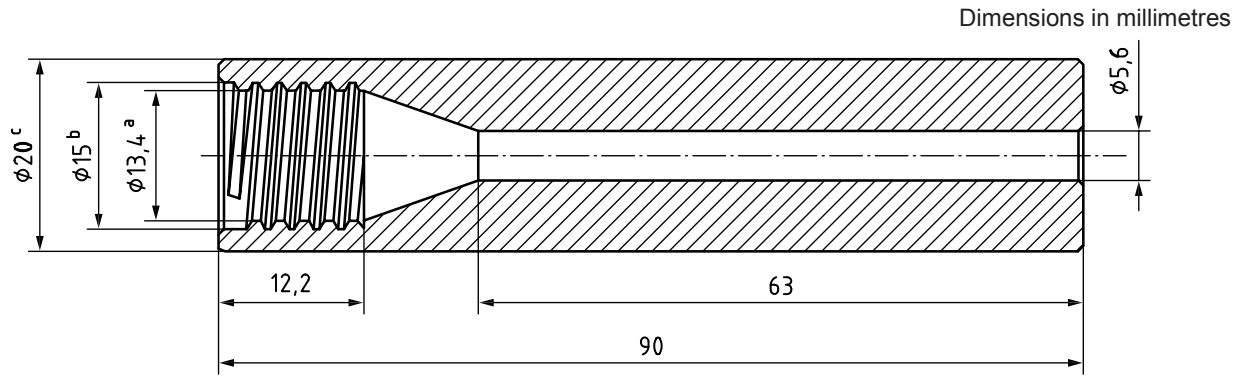
- a reference to this part of ISO 8394, i.e. ISO 8394-1:2010;
- the name of the test laboratory and the date of test;
- the name, type (chemical family) and colour of sealant;
- the batch number of the sealant;

- e) the conditioning temperature;
- f) the extrusion pressure;
- g) the extrusion time;
- h) the type of nozzle. If another nozzle is used, the nature (plastic or metallic), the geometry, commercial reference and diameter of the nozzle shall be indicated;
- i) the result of each extrusion rate, in grams per minute, and the mean value;
- j) the result of the extrusion rate, in millilitres per minute, the mean value and the density, if necessary;
- k) any deviation from this part of ISO 8394.



a $\frac{1}{4}$ in NPT threads.

Figure 1 — First metallic nozzle scheme



- a Pitch of 2,5 mm.
- b Chamfer of 0,5 mm.
- c 316 Inox.

Figure 2 — Second metallic nozzle scheme

British Standards Institution (BSI)

BSI is the national body responsible for preparing British Standards and other standards-related publications, information and services.

BSI is incorporated by Royal Charter. British Standards and other standardization products are published by BSI Standards Limited.

About us

We bring together business, industry, government, consumers, innovators and others to shape their combined experience and expertise into standards-based solutions.

The knowledge embodied in our standards has been carefully assembled in a dependable format and refined through our open consultation process. Organizations of all sizes and across all sectors choose standards to help them achieve their goals.

Information on standards

We can provide you with the knowledge that your organization needs to succeed. Find out more about British Standards by visiting our website at bsigroup.com/standards or contacting our Customer Services team or Knowledge Centre.

Buying standards

You can buy and download PDF versions of BSI publications, including British and adopted European and international standards, through our website at bsigroup.com/shop, where hard copies can also be purchased.

If you need international and foreign standards from other Standards Development Organizations, hard copies can be ordered from our Customer Services team.

Subscriptions

Our range of subscription services are designed to make using standards easier for you. For further information on our subscription products go to bsigroup.com/subscriptions.

With **British Standards Online (BSOL)** you'll have instant access to over 55,000 British and adopted European and international standards from your desktop. It's available 24/7 and is refreshed daily so you'll always be up to date.

You can keep in touch with standards developments and receive substantial discounts on the purchase price of standards, both in single copy and subscription format, by becoming a **BSI Subscribing Member**.

PLUS is an updating service exclusive to BSI Subscribing Members. You will automatically receive the latest hard copy of your standards when they're revised or replaced.

To find out more about becoming a BSI Subscribing Member and the benefits of membership, please visit bsigroup.com/shop.

With a **Multi-User Network Licence (MUNL)** you are able to host standards publications on your intranet. Licences can cover as few or as many users as you wish. With updates supplied as soon as they're available, you can be sure your documentation is current. For further information, email bsmusales@bsigroup.com.

BSI Group Headquarters

389 Chiswick High Road London W4 4AL UK



Revisions

Our British Standards and other publications are updated by amendment or revision.

We continually improve the quality of our products and services to benefit your business. If you find an inaccuracy or ambiguity within a British Standard or other BSI publication please inform the Knowledge Centre.

Copyright

All the data, software and documentation set out in all British Standards and other BSI publications are the property of and copyrighted by BSI, or some person or entity that owns copyright in the information used (such as the international standardization bodies) and has formally licensed such information to BSI for commercial publication and use. Except as permitted under the Copyright, Designs and Patents Act 1988 no extract may be reproduced, stored in a retrieval system or transmitted in any form or by any means – electronic, photocopying, recording or otherwise – without prior written permission from BSI. Details and advice can be obtained from the Copyright & Licensing Department.

Useful Contacts:

Customer Services

Tel: +44 845 086 9001

Email (orders): orders@bsigroup.com

Email (enquiries): cservices@bsigroup.com

Subscriptions

Tel: +44 845 086 9001

Email: subscriptions@bsigroup.com

Knowledge Centre

Tel: +44 20 8996 7004

Email: knowledgecentre@bsigroup.com

Copyright & Licensing

Tel: +44 20 8996 7070

Email: copyright@bsigroup.com

...making excellence a habit.™