

Building construction — Sealants — Determination of tensile properties at maintained extension

The European Standard EN ISO 8340:2005 has the status of a
British Standard

ICS 91.100.50

National foreword

This British Standard is the official English language version of EN ISO 8340:2005. It is identical with ISO 8340:2005. It supersedes BS EN 28340:1991 which is withdrawn.

The UK participation in its preparation was entrusted to Technical Committee B/547, Sealants for building and construction, which has the responsibility to:

- aid enquirers to understand the text;
- present to the responsible international/European committee any enquiries on the interpretation, or proposals for change, and keep UK interests informed;
- monitor related international and European developments and promulgate them in the UK.

A list of organizations represented on this committee can be obtained on request to its secretary.

Cross-references

The British Standards which implement international or European publications referred to in this document may be found in the *BSI Catalogue* under the section entitled “International Standards Correspondence Index”, or by using the “Search” facility of the *BSI Electronic Catalogue* or of British Standards Online.

This publication does not purport to include all the necessary provisions of a contract. Users are responsible for its correct application.

Compliance with a British Standard does not of itself confer immunity from legal obligations.

Summary of pages

This document comprises a front cover, an inside front cover, the EN ISO title page, the EN ISO foreword page, the ISO title page, pages ii to iv, a blank page, pages 1 to 5 and a back cover.

The BSI copyright notice displayed in this document indicates when the document was last issued.

Amendments issued since publication

Amd. No.	Date	Comments

This British Standard was published under the authority of the Standards Policy and Strategy Committee on 18 November 2005

© BSI 18 November 2005

EUROPEAN STANDARD

EN ISO 8340

NORME EUROPÉENNE

EUROPÄISCHE NORM

June 2005

ICS 91.100.50

Supersedes EN 28340:1990

English version

Building construction - Sealants - Determination of tensile properties at maintained extension (ISO 8340:2005)

Construction immobilière - Mastics - Détermination des propriétés de déformation sous traction maintenue (ISO 8340:2005)

Hochbau - Fugendichtstoffe - Bestimmung des Zugverhaltens unter Vorspannung (ISO 8340:2005)

This European Standard was approved by CEN on 25 May 2005.

CEN members are bound to comply with the CEN/CENELEC Internal Regulations which stipulate the conditions for giving this European Standard the status of a national standard without any alteration. Up-to-date lists and bibliographical references concerning such national standards may be obtained on application to the Central Secretariat or to any CEN member.

This European Standard exists in three official versions (English, French, German). A version in any other language made by translation under the responsibility of a CEN member into its own language and notified to the Central Secretariat has the same status as the official versions.

CEN members are the national standards bodies of Austria, Belgium, Cyprus, Czech Republic, Denmark, Estonia, Finland, France, Germany, Greece, Hungary, Iceland, Ireland, Italy, Latvia, Lithuania, Luxembourg, Malta, Netherlands, Norway, Poland, Portugal, Slovakia, Slovenia, Spain, Sweden, Switzerland and United Kingdom.



EUROPEAN COMMITTEE FOR STANDARDIZATION
COMITÉ EUROPÉEN DE NORMALISATION
EUROPÄISCHES KOMITEE FÜR NORMUNG

Management Centre: rue de Stassart, 36 B-1050 Brussels

Foreword

This document (EN ISO 8340:2005) has been prepared by Technical Committee ISO/TC 59 "Building construction" in collaboration with CMC.

This European Standard shall be given the status of a national standard, either by publication of an identical text or by endorsement, at the latest by December 2005, and conflicting national standards shall be withdrawn at the latest by December 2005.

This document supersedes EN 28340:1990.

According to the CEN/CENELEC Internal Regulations, the national standards organizations of the following countries are bound to implement this European Standard: Austria, Belgium, Cyprus, Czech Republic, Denmark, Estonia, Finland, France, Germany, Greece, Hungary, Iceland, Ireland, Italy, Latvia, Lithuania, Luxembourg, Malta, Netherlands, Norway, Poland, Portugal, Slovakia, Slovenia, Spain, Sweden, Switzerland and United Kingdom.

Endorsement notice

The text of ISO 8340:2005 has been approved by CEN as EN ISO 8340:2005 without any modifications.

INTERNATIONAL
STANDARD

ISO
8340

Second edition
2005-06-15

**Building construction — Sealants —
Determination of tensile properties at
maintained extension**

*Construction immobilière — Mastics — Détermination des propriétés de
déformation sous traction maintenue*



Reference number
ISO 8340:2005(E)

Contents

Page

Foreword	iv
1 Scope	1
2 Normative references	1
3 Definitions	1
4 Principle	1
5 Apparatus	1
6 Preparation of test specimens	2
7 Conditioning of test specimens	2
8 Test procedure	3
9 Test report	3

Foreword

ISO (the International Organization for Standardization) is a worldwide federation of national standards bodies (ISO member bodies). The work of preparing International Standards is normally carried out through ISO technical committees. Each member body interested in a subject for which a technical committee has been established has the right to be represented on that committee. International organizations, governmental and non-governmental, in liaison with ISO, also take part in the work. ISO collaborates closely with the International Electrotechnical Commission (IEC) on all matters of electrotechnical standardization.

International Standards are drafted in accordance with the rules given in the ISO/IEC Directives, Part 2.

The main task of technical committees is to prepare International Standards. Draft International Standards adopted by the technical committees are circulated to the member bodies for voting. Publication as an International Standard requires approval by at least 75 % of the member bodies casting a vote.

Attention is drawn to the possibility that some of the elements of this document may be the subject of patent rights. ISO shall not be held responsible for identifying any or all such patent rights.

ISO 8340 was prepared by Technical Committee ISO/TC 59, *Building construction*, Subcommittee SC 8, *Joining products*.

This second edition cancels and replaces the first edition (ISO 8340:1984) and its subsequent Technical Corrigendum (ISO 8340:1984/Cor.1:1995), which have been technically revised.

Building construction — Sealants — Determination of tensile properties at maintained extension

1 Scope

This International Standard specifies a method for the determination of the tensile properties at maintained extension of sealants used in joints in building construction.

NOTE A method for the determination of tensile properties (extension to break) is specified in ISO 8339.

2 Normative references

The following referenced documents are indispensable for the application of this document. For dated references, only the edition cited applies. For undated references, the latest edition of the referenced document (including any amendments) applies.

ISO 6927, *Building construction — Jointing products — Sealants — Vocabulary*

ISO 8339, *Building construction — Sealants — Determination of tensile properties (Extension to break)*

ISO 13640, *Building construction — Jointing products — Specification for test substrates*

3 Definitions

For the purpose of this document, the definitions given in ISO 6927 apply.

4 Principle

Test specimens are prepared such that the sealant to be tested adheres to two parallel contact surfaces. The test specimens are extended to a defined width and this extension is maintained under defined conditions. Any loss of adhesion or cohesion is recorded.

5 Apparatus

5.1 Substrate materials, used for the preparation of test specimens as defined in ISO 13640. The substrate materials shall be selected from mortar and/or anodized aluminium and/or glass. Other substrate materials may be used as agreed by the parties concerned.

For each test specimen, two substrate pieces of the same material are required with a cross section of dimensions as shown in Figures 1 and 2. Test substrates of other dimensions may be used, but then the dimensions of the sealant bead and the area of adhesion shall be the same as those shown in Figures 1 and 2.

5.2 Spacers, of cross section (12 mm × 12 mm) with anti-adherent surface. For the preparation of test specimens see Figures 1 and 2.

5.3 Anti-adherent substrate, for the preparation of the test specimens, e.g. polyethylene (PE) film, preferably according to the advice of the sealant manufacturer.

5.4 Tensile test machine, capable of extending the test specimens at a rate of $(5,5 \pm 0,7)$ mm/min.

5.5 Refrigerated enclosure, capable of holding the test specimens whilst extended at a temperature of (-20 ± 2) °C.

5.6 Ventilated convection-type oven, capable of being maintained at (70 ± 2) °C for conditioning according to method B (see 7.3).

5.7 Container, for immersing test specimens in distilled water for conditioning according to method B (see 7.3).

5.8 Separators, of appropriate dimensions to hold the test specimens extended to 25 %, 60 % or 100 % of the original width or any other width agreed between the parties concerned.

5.9 Measuring device, scaled to 0,5 mm.

6 Preparation of test specimens

The sealant and test substrates shall be brought to (23 ± 2) °C. For each substrate type and each test temperature (see Clause 8) three test specimens shall be prepared. For each specimen two substrates (5.1) and two spacers (5.2) shall be assembled (see Figure 1) and set on the anti-adherent substrate (5.3).

The instructions of the sealant manufacturer concerning, for instance, whether a primer is to be used and the mixing procedure for multi-component sealants shall be followed. The hollow volume formed by the substrates and the spacers shall be filled with the sealant.

The following precautions shall be taken.

- a) The formation of air bubbles shall be avoided.
- b) The sealant shall be pressed on the inner surfaces of the substrates.
- c) The sealant surface shall be trimmed so that it is flush with the faces of the substrates and spacers.

The test specimens shall be set on the edge of one of the supports. The anti-adherent substrate shall be removed as soon as possible. The specimens shall be placed in this position to allow curing or optimum drying of the sealant. The spacers shall be maintained in place during conditioning.

7 Conditioning of test specimens

7.1 General

The test specimens shall be conditioned either in accordance with method A (see 7.2) or method B (see 7.3), as agreed between the parties concerned.

7.2 Method A

The test specimens shall be conditioned for 28 days at (23 ± 2) °C and (50 ± 5) % relative humidity.

7.3 Method B

The test specimens shall be conditioned according to method A and shall then be subjected three times to the following storage cycle:

- a) three days in the oven (5.6) at (70 ± 2) °C;

- b) one day in distilled water (5.7) at (23 ± 2) °C;
- c) two days in the oven (5.6) at (70 ± 2) °C;
- d) one day in distilled water (5.7) at (23 ± 2) °C.

Alternatively, this cycle may be carried out in the order c), d), a), b).

After conditioning according to method B, the test specimens shall be stored for 24 h at (23 ± 2) °C and (50 ± 5) % relative humidity before testing.

NOTE Method B is a normal conditioning procedure using the influence of heat and water. It is not suitable for giving information on the durability of the sealant.

8 Test procedure

8.1 General

The test procedure shall be carried out at temperatures of (23 ± 2) °C and (-20 ± 2) °C. Three test specimens shall be tested at each temperature.

8.2 Test procedure at (23 ± 2) °C

The spacers (5.2) for the preparation of the test specimens shall be removed and the test specimens placed in the tensile test machine (5.4) at (23 ± 2) °C and extended at a rate of $(5,5 \pm 0,7)$ mm/min by 25 % or 60 % or 100 % of the original width (to 15 mm, 19,2 mm and 24 mm respectively), or to any other width as agreed between the parties concerned. The separators (5.8) shall be used to maintain the elongation at (23 ± 2) °C for 24 h. The depth of any loss of adhesion or cohesion shall be measured using a suitable measuring device capable of reading to 0,5 mm (5.9).

8.3 Test procedure at (-20 ± 2) °C

The test specimens shall be stored (5.5) at (-20 ± 2) °C for at least 4 h before the start of the test. The spacers (5.2) for the preparation of the test specimens shall be removed and the test specimens placed in the tensile test machine (5.4) at (-20 ± 2) °C and extended at a rate of $(5,5 \pm 0,7)$ mm/min by 25 % or 60 % or 100 % of the original width (to 15 mm, 19,2 mm and 24 mm respectively), or to any other width as agreed between the parties concerned. The separators (5.8) shall be used to maintain the elongation at (-20 ± 2) °C for 24 h. The test specimens shall be brought to (23 ± 2) °C. The depth of any loss of adhesion or cohesion shall be measured using a suitable measuring device capable of reading to 0,5 mm (5.9).

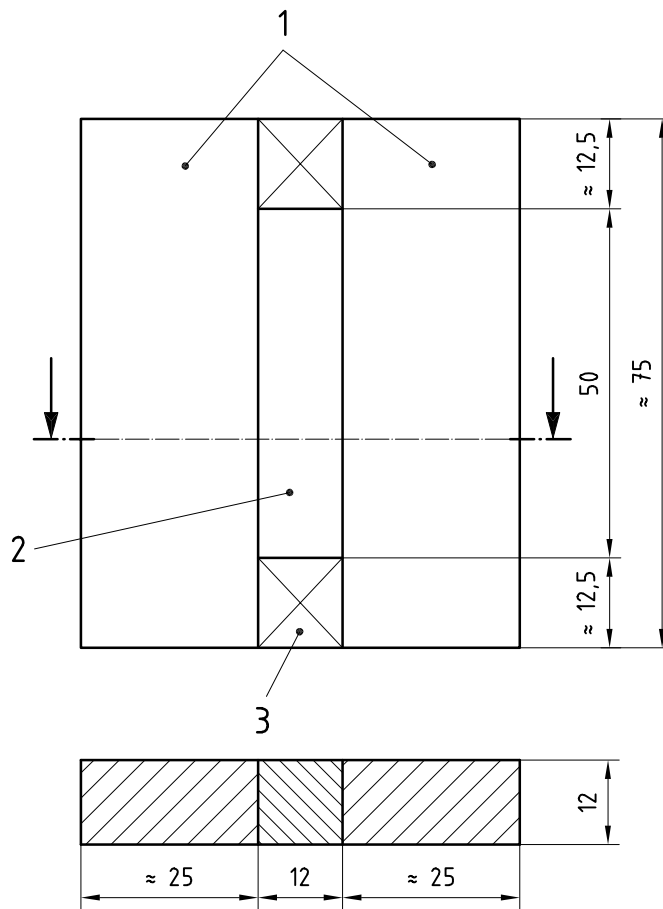
9 Test report

The test report shall contain the following information:

- a) test laboratory's name and date of test;
- b) reference to this International Standard;
- c) name, type (chemical family) and colour of sealant;
- d) batch of sealant from which the test specimens were produced;
- e) substrate used (see 5.1);
- f) primer used, if applicable;

- g) method of conditioning used (see Clause 7);
- h) elongation (%) (see Clause 8);
- i) depth of any loss of adhesion and/or cohesion break, in millimetres, for each test specimen;
- j) any deviations from this International Standard.

Dimensions in millimetres

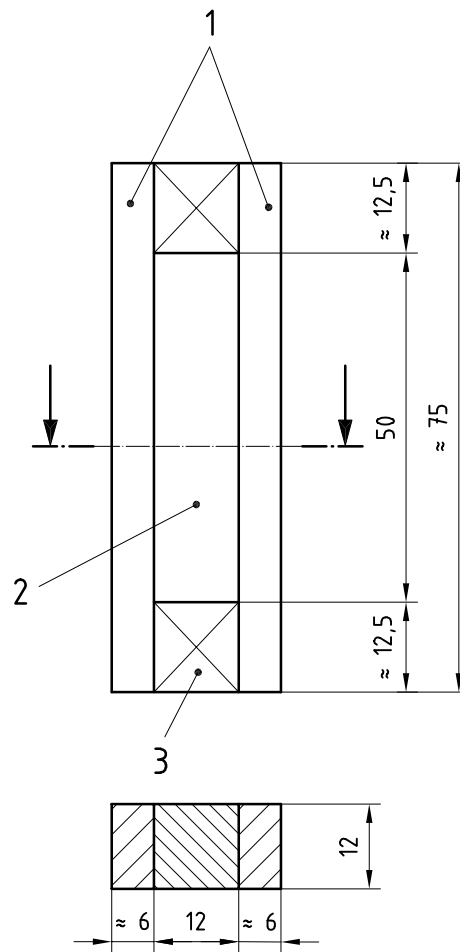


Key

- 1 mortar substrates
- 2 sealant
- 3 spacer (5.2)

Figure 1 — Test specimen with mortar substrates

Dimensions in millimetres



Key

- 1 anodized aluminium or glass substrates
- 2 sealant
- 3 spacer (5.2)

Figure 2 — Test specimen with anodized aluminium or glass substrates

BSI — British Standards Institution

BSI is the independent national body responsible for preparing British Standards. It presents the UK view on standards in Europe and at the international level. It is incorporated by Royal Charter.

Revisions

British Standards are updated by amendment or revision. Users of British Standards should make sure that they possess the latest amendments or editions.

It is the constant aim of BSI to improve the quality of our products and services. We would be grateful if anyone finding an inaccuracy or ambiguity while using this British Standard would inform the Secretary of the technical committee responsible, the identity of which can be found on the inside front cover.
Tel: +44 (0)20 8996 9000. Fax: +44 (0)20 8996 7400.

BSI offers members an individual updating service called PLUS which ensures that subscribers automatically receive the latest editions of standards.

Buying standards

Orders for all BSI, international and foreign standards publications should be addressed to Customer Services. Tel: +44 (0)20 8996 9001.
Fax: +44 (0)20 8996 7001. Email: orders@bsi-global.com. Standards are also available from the BSI website at <http://www.bsi-global.com>.

In response to orders for international standards, it is BSI policy to supply the BSI implementation of those that have been published as British Standards, unless otherwise requested.

Information on standards

BSI provides a wide range of information on national, European and international standards through its Library and its Technical Help to Exporters Service. Various BSI electronic information services are also available which give details on all its products and services. Contact the Information Centre.
Tel: +44 (0)20 8996 7111. Fax: +44 (0)20 8996 7048. Email: info@bsi-global.com.

Subscribing members of BSI are kept up to date with standards developments and receive substantial discounts on the purchase price of standards. For details of these and other benefits contact Membership Administration.
Tel: +44 (0)20 8996 7002. Fax: +44 (0)20 8996 7001.
Email: membership@bsi-global.com.

Information regarding online access to British Standards via British Standards Online can be found at <http://www.bsi-global.com/bsonline>.

Further information about BSI is available on the BSI website at <http://www.bsi-global.com>.

Copyright

Copyright subsists in all BSI publications. BSI also holds the copyright, in the UK, of the publications of the international standardization bodies. Except as permitted under the Copyright, Designs and Patents Act 1988 no extract may be reproduced, stored in a retrieval system or transmitted in any form or by any means – electronic, photocopying, recording or otherwise – without prior written permission from BSI.

This does not preclude the free use, in the course of implementing the standard, of necessary details such as symbols, and size, type or grade designations. If these details are to be used for any other purpose than implementation then the prior written permission of BSI must be obtained.

Details and advice can be obtained from the Copyright & Licensing Manager.
Tel: +44 (0)20 8996 7070. Fax: +44 (0)20 8996 7553.
Email: copyright@bsi-global.com.