

BS EN ISO 7784-1:2016



BSI Standards Publication

Paints and varnishes — Determination of resistance to abrasion

Part 1: Method with abrasive-paper covered
wheels and rotating test specimen

National foreword

This British Standard is the UK implementation of EN ISO 7784-1:2016. It supersedes BS EN ISO 7784-1:2006 which is withdrawn.

The UK participation in its preparation was entrusted to Technical Committee STI/10, Test methods for paints.

A list of organizations represented on this committee can be obtained on request to its secretary.

This publication does not purport to include all the necessary provisions of a contract. Users are responsible for its correct application.

© The British Standards Institution 2016.
Published by BSI Standards Limited 2016

ISBN 978 0 580 79676 0

ICS 87.040

Compliance with a British Standard cannot confer immunity from legal obligations.

This British Standard was published under the authority of the Standards Policy and Strategy Committee on 30 April 2016.

Amendments/corrigenda issued since publication

Date	Text affected
------	---------------

English Version

Paints and varnishes - Determination of resistance to abrasion - Part 1: Method with abrasive-paper covered wheels and rotating test specimen (ISO 7784-1:2016)

Peintures et vernis - Détermination de la résistance à l'abrasion - Partie 1: Méthode utilisant des roues revêtues de papier abrasif et une éprouvette rotative (ISO 7784-1:2016)

Beschichtungsstoffe - Bestimmung des Abriebwiderstandes - Teil 1: Verfahren mit schleifpapierbelegten Rädern und rotierender Probe (ISO 7784-1:2016)

This European Standard was approved by CEN on 27 February 2016.

CEN members are bound to comply with the CEN/CENELEC Internal Regulations which stipulate the conditions for giving this European Standard the status of a national standard without any alteration. Up-to-date lists and bibliographical references concerning such national standards may be obtained on application to the CEN-CENELEC Management Centre or to any CEN member.

This European Standard exists in three official versions (English, French, German). A version in any other language made by translation under the responsibility of a CEN member into its own language and notified to the CEN-CENELEC Management Centre has the same status as the official versions.

CEN members are the national standards bodies of Austria, Belgium, Bulgaria, Croatia, Cyprus, Czech Republic, Denmark, Estonia, Finland, Former Yugoslav Republic of Macedonia, France, Germany, Greece, Hungary, Iceland, Ireland, Italy, Latvia, Lithuania, Luxembourg, Malta, Netherlands, Norway, Poland, Portugal, Romania, Slovakia, Slovenia, Spain, Sweden, Switzerland, Turkey and United Kingdom.



EUROPEAN COMMITTEE FOR STANDARDIZATION
COMITÉ EUROPÉEN DE NORMALISATION
EUROPÄISCHES KOMITEE FÜR NORMUNG

CEN-CENELEC Management Centre: Avenue Marnix 17, B-1000 Brussels

European foreword

This document (EN ISO 7784-1:2016) has been prepared by Technical Committee ISO/TC 35 "Paints and varnishes" in collaboration with Technical Committee CEN/TC 139 "Paints and varnishes" the secretariat of which is held by DIN.

This European Standard shall be given the status of a national standard, either by publication of an identical text or by endorsement, at the latest by October 2016, and conflicting national standards shall be withdrawn at the latest by October 2016.

Attention is drawn to the possibility that some of the elements of this document may be the subject of patent rights. CEN [and/or CENELEC] shall not be held responsible for identifying any or all such patent rights.

This document supersedes EN ISO 7784-1:2006.

According to the CEN-CENELEC Internal Regulations, the national standards organizations of the following countries are bound to implement this European Standard: Austria, Belgium, Bulgaria, Croatia, Cyprus, Czech Republic, Denmark, Estonia, Finland, Former Yugoslav Republic of Macedonia, France, Germany, Greece, Hungary, Iceland, Ireland, Italy, Latvia, Lithuania, Luxembourg, Malta, Netherlands, Norway, Poland, Portugal, Romania, Slovakia, Slovenia, Spain, Sweden, Switzerland, Turkey and the United Kingdom.

Endorsement notice

The text of ISO 7784-1:2016 has been approved by CEN as EN ISO 7784-1:2016 without any modification.

Contents

Page

Foreword	iv
Introduction	v
1 Scope	1
2 Normative references	1
3 Terms and definitions	1
4 Principle	2
5 Apparatus and materials	2
6 Test specimens	4
6.1 Preparation of the test specimens.....	4
6.2 Film thickness.....	4
6.3 Conditioning.....	4
7 Procedure	4
7.1 Agreements.....	4
7.2 Preparation of the abrasive wheels.....	5
7.3 Test conditions.....	5
7.4 Number of determinations.....	5
7.5 Test procedure.....	5
8 Evaluation	6
9 Precision	6
10 Test report	6
Bibliography	7

Foreword

ISO (the International Organization for Standardization) is a worldwide federation of national standards bodies (ISO member bodies). The work of preparing International Standards is normally carried out through ISO technical committees. Each member body interested in a subject for which a technical committee has been established has the right to be represented on that committee. International organizations, governmental and non-governmental, in liaison with ISO, also take part in the work. ISO collaborates closely with the International Electrotechnical Commission (IEC) on all matters of electrotechnical standardization.

The procedures used to develop this document and those intended for its further maintenance are described in the ISO/IEC Directives, Part 1. In particular the different approval criteria needed for the different types of ISO documents should be noted. This document was drafted in accordance with the editorial rules of the ISO/IEC Directives, Part 2 (see www.iso.org/directives).

Attention is drawn to the possibility that some of the elements of this document may be the subject of patent rights. ISO shall not be held responsible for identifying any or all such patent rights. Details of any patent rights identified during the development of the document will be in the Introduction and/or on the ISO list of patent declarations received (see www.iso.org/patents).

Any trade name used in this document is information given for the convenience of users and does not constitute an endorsement.

For an explanation on the meaning of ISO specific terms and expressions related to conformity assessment, as well as information about ISO's adherence to the WTO principles in the Technical Barriers to Trade (TBT) see the following URL: [Foreword - Supplementary information](#)

The committee responsible for this document is ISO/TC 35, *Paints and varnishes*, Subcommittee SC 9, *General test methods for paints and varnishes*.

This second edition cancels and replaces the first edition (ISO 7784-1:1997), which has been technically revised with the following changes:

- a) the title has been changed;
- b) the terms and definitions clause has been amended;
- c) a figure explaining the principle of the method was amended;
- d) the supplementary test conditions previously in Annex A have been integrated in the test report;
- e) the calibration of the apparatus previously in Annex B has been deleted;
- f) the test procedure has been re-arranged;
- g) the text has been editorially revised and the normative references have been updated.

ISO 7784 consists of the following parts, under the general title *Paints and varnishes — Determination of resistance to abrasion*:

- *Part 1: Method with abrasive-paper covered wheels and rotating test specimen*
- *Part 2: Method with abrasive rubber wheels and rotating test specimen*
- *Part 3: Method with abrasive-paper covered wheel and linearly reciprocating test specimen*

Introduction

This part of ISO 7784 is one of the three parts of ISO 7784 dealing with test methods for the determination of the resistance to abrasion of coatings using abrasive wheels. The characteristics and differences of these methods are summarized in [Table 1](#).

Table 1 — Types of method

Standard	Abrasive wheel		Test specimen movement
	Type	Degree of freedom	
ISO 7784-1	Abrasive paper on rubber wheel	Freely rotatable	Rotation
ISO 7784-2	Abrasive rubber wheel		
ISO 7784-3	Abrasive paper on metal wheel	Rigid – with stroke-dependent rotation ^a	Linear reciprocation

^a A mechanism rotates the abrasive wheel by a small angle after each double stroke so that a new area of the abrasive paper is effective.

The methods using abrasive-paper covered wheels (ISO 7784-1 and ISO 7784-3) are preferably to be applied.

Paints and varnishes — Determination of resistance to abrasion —

Part 1: Method with abrasive-paper covered wheels and rotating test specimen

1 Scope

This part of ISO 7784 specifies a method for determining the resistance to abrasion of coatings, for which two loaded, freely rotatable but eccentrically arranged abrasive-paper covered wheels affect the coating of the rotating test specimens.

2 Normative references

The following referenced documents, in whole or in part, are normatively referenced in this document and are indispensable for its application. For dated references, only the edition cited applies. For undated references, the latest edition of the referenced document (including any amendments) applies.

ISO 1514, *Paints and varnishes — Standard panels for testing*

ISO 2808, *Paints and varnishes — Determination of film thickness*

ISO 3270, *Paints and varnishes and their raw materials — Temperatures and humidities for conditioning and testing*

ISO 4618, *Paints and varnishes — Terms and definitions*

ISO 7619-1, *Rubber, vulcanized or thermoplastic — Determination of indentation hardness — Part 1: Durometer method (Shore hardness)*

ISO 7619-2, *Rubber, vulcanized or thermoplastic — Determination of indentation hardness — Part 2: IRHD pocket meter method*

FEPA-Standard 43-1, *Grains of fused aluminium oxide, silicon carbide and other abrasive materials for coated abrasives Macrogrits P 12 to P 220¹⁾*

FEPA-Standard 43-2, *Grains of fused aluminium oxide, silicon carbide and other abrasive materials for coated abrasives Microgrits P 240 to P 2500¹⁾*

3 Terms and definitions

For the purposes of this document, the terms and definitions given in ISO 4618 and the following apply.

3.1

test specimen

specimen on which the test is to be carried out

3.2

abrasive wear

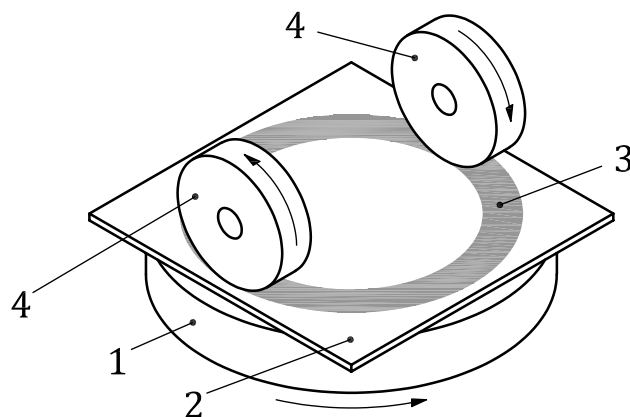
wear, occurring due to laminar removal of coating material on the surface

1) FEPA: Federation of European Producers of Abrasives.

4 Principle

Two pivot-mounted rubber wheels, covered with agreed abrasive paper, are pressed onto the coating of the rotating test specimen applying the agreed test load. The eccentric arrangement of the axes of the abrasive wheels relative to the axis of rotation causes a crosswise abrasive wear in a ring-shaped zone. The loss of mass of the coating caused by abrasive wear after the agreed number of cycles is determined.

[Figure 1](#) illustrates the test principle.



Key

- 1 turntable
- 2 test specimen
- 3 wear zone
- 4 abrasive wheels

Figure 1 — Principle of the abrasion test with rotating test specimen

5 Apparatus and materials

5.1 Turntable abrasion tester, as exemplified in [Figure 2](#), with the following properties.

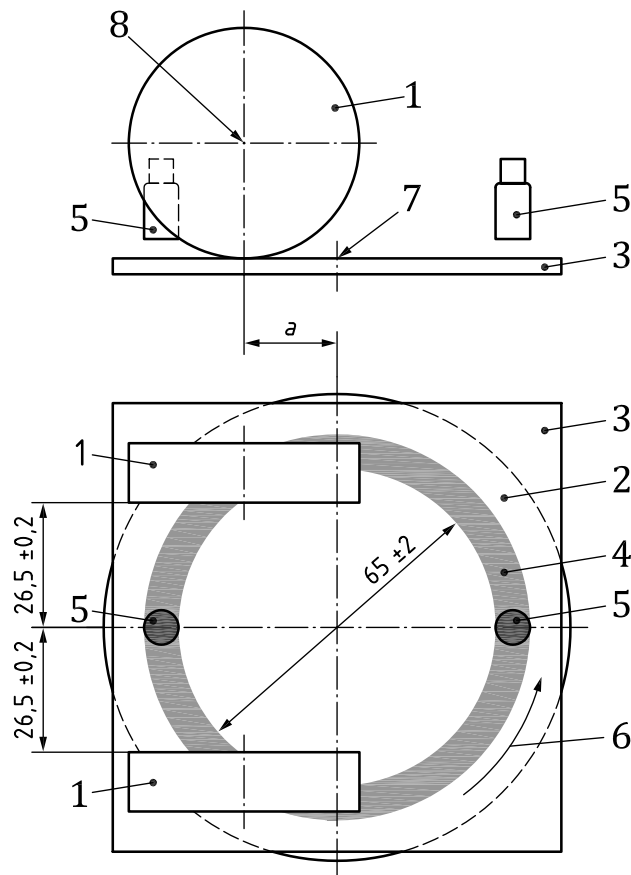
5.1.1 The rotational speed of the turntable onto which the test specimen is fixed shall be $(60 \pm 2) \text{ min}^{-1}$. The number of cycles is pre-set on an operation counter.

5.1.2 Two arms are attached to the device, each with a mandrel, onto which the abrasive wheels ([5.2](#)) and, if necessary, the weights ([5.3](#)) are attached. Ball bearings are used for the mandrels for the abrasive wheels so they can rotate with low friction.

5.1.3 It shall be ensured that in lowered condition, the positions of the abrasive wheels relative to the axis of rotation comply with the dimensions indicated in [Figure 2](#).

5.1.4 A suction device shall be available in order to remove abrasive dust generated during the test.

Dimensions in millimetres



Key

- 1 abrasive wheels
- 2 turntable
- 3 test specimen
- 4 wear zone (about 10 mm wide)
- 5 vacuum nozzles
- 6 rotating direction
- 7 axis of rotation (turntable)
- 8 axis of rotation (abrasive wheel)
- a Offset ($19,0 \pm 0,5$) mm.

Figure 2 — Schematic diagram of the turntable abrasion tester

5.2 Abrasive wheel, consisting of the rubber wheel (5.2.1) on which the abrasive paper (5.2.2) is adhered. Two abrasive wheels are required for the test.

5.2.1 Rubber wheel, cylindrical rubber disk equipped with an axial bore hole for attachment on the supported mandrel on the arm of the apparatus (see 5.1.2). The diameter of the rubber wheel shall be ($50,5 \pm 0,5$) mm and the thickness ($12,7 \pm 0,2$) mm.

The hardness of the elastomer material (in Shore A in accordance with ISO 7619-1 or in IRHD in accordance with ISO 7619-2) shall be agreed.

NOTE It is common to agree on the rubber wheel on the basis of the identification of the abrasive wheel manufacturer.

5.2.2 Abrasive paper, with agreed abrasive material and agreed grain size in accordance with FEPA Standard 43-1 or FEPA Standard 43-2, self-adhesive, and in strips with a width of $(12,7 \pm 0,2)$ mm, as well as a minimum length of 160 mm.

If no self-adhesive abrasive paper is available, regular abrasive paper may be used together with double-sided adhesive tape.

In case the strips of abrasive paper are cut at an angle (45°) prior to adhering (see [Figure 3](#)), a minimum length of 173 mm is required.

NOTE It is common to agree on the abrasive paper on the basis of the identification of the abrasive wheel manufacturer.

5.3 Weights, to increase the test load up to about 10 N by attaching to each arm (see [5.1.2](#)).

NOTE For a common apparatus, the minimum test load which is exerted solely by the abrasive wheel and the arms without additional weights is 2,7 N and with the weights, the test load values 5,2 N and 10,1 N are additionally available for each abrasive wheel.

5.4 Balance, with an accuracy of 0,1 mg.

6 Test specimens

6.1 Preparation of the test specimens

The test specimens shall be plane, have the minimum dimensions of 100 mm × 100 mm, and be prepared, coated, and dried/hardened in accordance with ISO 1514.

For the mentioned dimensions of the test specimen, the minimum distance between wear zone and edge of the test specimen shall be about 7 mm (see [Figure 2](#)).

For a common apparatus, the test specimen is fixed on the turntable by means of an axial screw. For this, the test specimen shall have a bore hole in the centre.

6.2 Film thickness

Determine the dry film thickness of the coating, in micrometres, in accordance with one of the methods specified in ISO 2808.

6.3 Conditioning

Prior to testing, condition the coated test specimen at a temperature of (23 ± 2) °C and a relative humidity of (50 ± 5) % (in accordance with ISO 3270), if not agreed otherwise, for at least 16 h.

7 Procedure

7.1 Agreements

For the test procedure, the following shall be agreed:

- the type of abrasive wheel, i.e. the hardness of the rubber wheel ([5.2.1](#)), as well as the material and the grain size of the abrasive paper ([5.2.2](#));
- the test load for each abrasive wheel, in newtons;
- the number of cycles, observing [7.5.4](#).

7.2 Preparation of the abrasive wheels

Condition the strips of abrasive paper (5.2.2) [and, if necessary, the adhesive tape (see 5.2.2, Note 1)] in accordance with 6.3 and adhere them to the circumference of the rubber wheels (5.2.1) without any gaps or overlapping. Subsequently, store the prepared abrasive wheels under the climatic conditions in accordance with 6.3 until using them during the test.

It is recommended that the strips of abrasive paper be cut at an angle of 45° and joined respectively when adhering (see Figure 3).

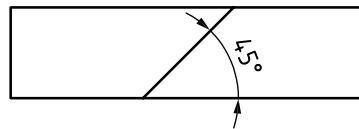


Figure 3 — Recommended method for joining the ends of the abrasive paper strip

The abrasive paper shall be replaced for each test (single determination in accordance with 7.5) (see also 7.5.4).

7.3 Test conditions

Carry out the test at a temperature of (23 ± 2) °C and measure the relative humidity during the test and state it in the test report.

Carry out the test as quick as possible, however, not later than 30 min after the conditioning phase.

7.4 Number of determinations

Carry out the determination in triplicate on three separate test specimens.

7.5 Test procedure

7.5.1 Weigh the test specimen to 0,1 mg using the balance (5.4) and mount it to the turntable of the apparatus.

7.5.2 Attach the abrasive wheels, which have been prepared in accordance with 7.2, to the arms of the apparatus and lower onto the coating.

7.5.3 Load the abrasive wheels, if necessary, in accordance with the agreed test load using an additional weight each (5.3).

7.5.4 Calibrate the counter to the agreed number of cycles (turns), turn on the suction device, and start the rotation of the turntable.

The abrasive wheels can become very smooth when taking up coating material so that they lose their abrasive effect and, consequently, stop rotating (and begin to block). In this case, the test shall be interrupted and the abrasive wheels shall be covered with new abrasive paper in accordance with 7.2. In order to avoid blocking, it can be appropriate to agree on a lower number of cycles.

In case of wear through of the coating down to the substrate or down to a subjacent coating, a lower number of cycles shall be agreed.

7.5.5 Clean the test specimen using a lint-free cloth and weigh to the nearest 0,1 mg.

7.5.6 Repeat working steps 7.5.1 to 7.5.5 with two additional test specimens.

8 Evaluation

8.1 For each of the three test specimens, calculate the loss in mass of the coating as difference of the masses of the test specimen in accordance with [7.5.1](#) and [7.5.5](#), in milligrams. Calculate the mean value of the losses in mass of the three test specimens.

8.2 As test result, report the mean value of the losses in mass in accordance with [8.1](#) and the three single values to the nearest 1 mg.

9 Precision

No relevant precision data are currently available.

10 Test report

The test report shall include at least the following information:

- a) all details necessary to identify and characterize the test specimen, i.e. details regarding
 - 1) coating (manufacturer, product identification, batch number, application method, drying/hardening/ageing conditions, etc.), and
 - 2) substrate (material, thickness, pre-treatment, etc.);
- b) the film thickness, in micrometres, in accordance with [6.2](#);
- c) a reference to this part of ISO 7784, i.e. ISO 7784-1;
- d) the agreed type of abrasive wheel in accordance with [5.2](#);
- e) the agreed test load for each abrasive wheel, in newtons;
- f) the agreed number of cycles;
- g) the relative humidity during testing;
- h) the test result in accordance with [8.2](#): the mean loss of mass and the single values, in milligrams;
- i) any deviation from the test method specified;
- j) any unusual features (anomalies) observed during the test;
- k) the name of the operator and the testing laboratory;
- l) the date of the test.

Bibliography

- [1] ISO 9352, *Plastics — Determination of resistance to wear by abrasive wheels*
- [2] ASTM D4060, *Standard Test Method for Abrasion Resistance of Organic Coatings by the Taber Abraser*
- [3] DIN 53754, *Testing of plastics — Determination of abrasion, abrasive disk method*
- [4] EN 13523-16, *Coil coated metals — Test methods — Part 16: Resistance to abrasion*

British Standards Institution (BSI)

BSI is the national body responsible for preparing British Standards and other standards-related publications, information and services.

BSI is incorporated by Royal Charter. British Standards and other standardization products are published by BSI Standards Limited.

About us

We bring together business, industry, government, consumers, innovators and others to shape their combined experience and expertise into standards-based solutions.

The knowledge embodied in our standards has been carefully assembled in a dependable format and refined through our open consultation process. Organizations of all sizes and across all sectors choose standards to help them achieve their goals.

Information on standards

We can provide you with the knowledge that your organization needs to succeed. Find out more about British Standards by visiting our website at bsigroup.com/standards or contacting our Customer Services team or Knowledge Centre.

Buying standards

You can buy and download PDF versions of BSI publications, including British and adopted European and international standards, through our website at bsigroup.com/shop, where hard copies can also be purchased.

If you need international and foreign standards from other Standards Development Organizations, hard copies can be ordered from our Customer Services team.

Subscriptions

Our range of subscription services are designed to make using standards easier for you. For further information on our subscription products go to bsigroup.com/subscriptions.

With **British Standards Online (BSOL)** you'll have instant access to over 55,000 British and adopted European and international standards from your desktop. It's available 24/7 and is refreshed daily so you'll always be up to date.

You can keep in touch with standards developments and receive substantial discounts on the purchase price of standards, both in single copy and subscription format, by becoming a **BSI Subscribing Member**.

PLUS is an updating service exclusive to BSI Subscribing Members. You will automatically receive the latest hard copy of your standards when they're revised or replaced.

To find out more about becoming a BSI Subscribing Member and the benefits of membership, please visit bsigroup.com/shop.

With a **Multi-User Network Licence (MUNL)** you are able to host standards publications on your intranet. Licences can cover as few or as many users as you wish. With updates supplied as soon as they're available, you can be sure your documentation is current. For further information, email bsmusales@bsigroup.com.

Revisions

Our British Standards and other publications are updated by amendment or revision.

We continually improve the quality of our products and services to benefit your business. If you find an inaccuracy or ambiguity within a British Standard or other BSI publication please inform the Knowledge Centre.

Copyright

All the data, software and documentation set out in all British Standards and other BSI publications are the property of and copyrighted by BSI, or some person or entity that owns copyright in the information used (such as the international standardization bodies) and has formally licensed such information to BSI for commercial publication and use. Except as permitted under the Copyright, Designs and Patents Act 1988 no extract may be reproduced, stored in a retrieval system or transmitted in any form or by any means – electronic, photocopying, recording or otherwise – without prior written permission from BSI. Details and advice can be obtained from the Copyright & Licensing Department.

Useful Contacts:

Customer Services

Tel: +44 845 086 9001

Email (orders): orders@bsigroup.com

Email (enquiries): cservices@bsigroup.com

Subscriptions

Tel: +44 845 086 9001

Email: subscriptions@bsigroup.com

Knowledge Centre

Tel: +44 20 8996 7004

Email: knowledgecentre@bsigroup.com

Copyright & Licensing

Tel: +44 20 8996 7070

Email: copyright@bsigroup.com

BSI Group Headquarters

389 Chiswick High Road London W4 4AL UK

