



BSI Standards Publication

Steel cord conveyor belts — Cord-to-coating bond test — Initial test and after thermal treatment

National foreword

This British Standard is the UK implementation of EN ISO 7623:2015. It supersedes BS EN ISO 7623:1997 which is withdrawn.

The UK participation in its preparation was entrusted to Technical Committee PRI/67, Conveyor belts.

A list of organizations represented on this committee can be obtained on request to its secretary.

This publication does not purport to include all the necessary provisions of a contract. Users are responsible for its correct application.

© The British Standards Institution 2015.
Published by BSI Standards Limited 2015

ISBN 978 0 580 85378 4

ICS 53.040.20

Compliance with a British Standard cannot confer immunity from legal obligations.

This British Standard was published under the authority of the Standards Policy and Strategy Committee on 30 November 2015.

Amendments/corrigenda issued since publication

Date	Text affected
------	---------------

EUROPEAN STANDARD

EN ISO 7623

NORME EUROPÉENNE

EUROPÄISCHE NORM

November 2015

ICS 53.040.20

Supersedes EN ISO 7623:1997

English Version

Steel cord conveyor belts - Cord-to-coating bond test - Initial test and after thermal treatment (ISO 7623:2015)

Courroies transporteuses à câbles d'acier - Adhérence
des câbles dans l'enrobage - Essais à l'état original et
après traitement thermique (ISO 7623:2015)

Stahlseil-Fördergurte - Haftung zwischen den Seilen
und Kernschicht - Prüfung im Anlieferzustand und
nach thermischer Behandlung (ISO 7623:2015)

This European Standard was approved by CEN on 26 September 2015.

CEN members are bound to comply with the CEN/CENELEC Internal Regulations which stipulate the conditions for giving this European Standard the status of a national standard without any alteration. Up-to-date lists and bibliographical references concerning such national standards may be obtained on application to the CEN-CENELEC Management Centre or to any CEN member.

This European Standard exists in three official versions (English, French, German). A version in any other language made by translation under the responsibility of a CEN member into its own language and notified to the CEN-CENELEC Management Centre has the same status as the official versions.

CEN members are the national standards bodies of Austria, Belgium, Bulgaria, Croatia, Cyprus, Czech Republic, Denmark, Estonia, Finland, Former Yugoslav Republic of Macedonia, France, Germany, Greece, Hungary, Iceland, Ireland, Italy, Latvia, Lithuania, Luxembourg, Malta, Netherlands, Norway, Poland, Portugal, Romania, Slovakia, Slovenia, Spain, Sweden, Switzerland, Turkey and United Kingdom.



EUROPEAN COMMITTEE FOR STANDARDIZATION
COMITÉ EUROPÉEN DE NORMALISATION
EUROPÄISCHES KOMITEE FÜR NORMUNG

CEN-CENELEC Management Centre: Avenue Marnix 17, B-1000 Brussels

European foreword

This document (EN ISO 7623:2015) has been prepared by Technical Committee ISO/TC 41 "Pulleys and belts (including veebelts)" in collaboration with Technical Committee CEN/TC 188 "Conveyor belts" the secretariat of which is held by SNV.

This European Standard shall be given the status of a national standard, either by publication of an identical text or by endorsement, at the latest by May 2016, and conflicting national standards shall be withdrawn at the latest by May 2016.

Attention is drawn to the possibility that some of the elements of this document may be the subject of patent rights. CEN [and/or CENELEC] shall not be held responsible for identifying any or all such patent rights.

This document supersedes EN ISO 7623:1997.

According to the CEN-CENELEC Internal Regulations, the national standards organizations of the following countries are bound to implement this European Standard: Austria, Belgium, Bulgaria, Croatia, Cyprus, Czech Republic, Denmark, Estonia, Finland, Former Yugoslav Republic of Macedonia, France, Germany, Greece, Hungary, Iceland, Ireland, Italy, Latvia, Lithuania, Luxembourg, Malta, Netherlands, Norway, Poland, Portugal, Romania, Slovakia, Slovenia, Spain, Sweden, Switzerland, Turkey and the United Kingdom.

Endorsement notice

The text of ISO 7623:2015 has been approved by CEN as EN ISO 7623:2015 without any modification.

Contents

	Page
Foreword	iv
1 Scope	1
2 Normative references	1
3 Principle	1
4 Apparatus	1
5 Test conditions	1
6 Specimens	2
7 Conditioning	2
8 Procedure	2
9 Expression of results	3
10 Test report	3

Foreword

ISO (the International Organization for Standardization) is a worldwide federation of national standards bodies (ISO member bodies). The work of preparing International Standards is normally carried out through ISO technical committees. Each member body interested in a subject for which a technical committee has been established has the right to be represented on that committee. International organizations, governmental and non-governmental, in liaison with ISO, also take part in the work. ISO collaborates closely with the International Electrotechnical Commission (IEC) on all matters of electrotechnical standardization.

The procedures used to develop this document and those intended for its further maintenance are described in the ISO/IEC Directives, Part 1. In particular the different approval criteria needed for the different types of ISO documents should be noted. This document was drafted in accordance with the editorial rules of the ISO/IEC Directives, Part 2 (see www.iso.org/directives).

Attention is drawn to the possibility that some of the elements of this document may be the subject of patent rights. ISO shall not be held responsible for identifying any or all such patent rights. Details of any patent rights identified during the development of the document will be in the Introduction and/or on the ISO list of patent declarations received (see www.iso.org/patents).

Any trade name used in this document is information given for the convenience of users and does not constitute an endorsement.

For an explanation on the meaning of ISO specific terms and expressions related to conformity assessment, as well as information about ISO's adherence to the WTO principles in the Technical Barriers to Trade (TBT) see the following URL: [Foreword - Supplementary information](#)

The committee responsible for this document is ISO/TC 41, *Pulleys and belts (including veebelts)*, Subcommittee SC 3, *Conveyor belts*.

This third edition cancels and replaces the second edition (ISO 7623:1996), which has been technically revised.

Steel cord conveyor belts — Cord-to-coating bond test — Initial test and after thermal treatment

1 Scope

This International Standard specifies a method for determining the bond strength of metal cords to their surrounding coating, either in the initial state or after thermal treatment.

It applies exclusively to metal-carcass conveyor belts.

2 Normative references

The following documents, in whole or in part, are normatively referenced in this document and are indispensable for its application. For dated references, only the edition cited applies. For undated references, the latest edition of the referenced document (including any amendments) applies.

ISO 18573, *Conveyor belts — Test atmospheres and conditioning periods*

ISO 7622-2, *Steel cord conveyor belts — Longitudinal traction test — Part 2: Measurement of tensile strength*

3 Principle

Measurement of the force required to tear one of the steel warp cords out of the carcass by applying tensile stress along the axis of the cord.

4 Apparatus

4.1 Dynamometric tensile testing machine with jaws, in accordance with that described in ISO 7622-2.

4.2 Press, having two heated platens, temperature controlled to $145\text{ °C} \pm 5\text{ °C}$, and capable of applying a pressure on the specimen (see [Clause 6](#)) of between 1 MPa and 5 MPa.

5 Test conditions

Unless otherwise specified and cited in the test report, the tests shall be carried out at a temperature of $23\text{ °C} \pm 2\text{ °C}$ and at a relative humidity of $(50 \pm 5)\%$, in accordance with ISO 18573, Atmosphere B.

5.1 Test in the initial state, carry out the test described in [Clause 8](#) at least five days after manufacture of the belt.

5.2 Test after thermal treatment, carry out the test described in [Clause 8](#) after thermal treatment of a sample of the belt by heating it between the two platens of the press ([4.2](#)) for $150\text{ min} \pm 1\text{ min}$, at a temperature of $145\text{ °C} \pm 5\text{ °C}$ and at a surface pressure of about 1 MPa but not exceeding 5 MPa.

If different temperatures or pressures or the duration of their application are used, details should be specified in the test report.

NOTE An adequate surface pressure can be obtained using spacers of a thickness of the belt test piece minus $1\text{ mm} \pm 0,5\text{ mm}$ between the platens of the press.

6 Specimens

Take from the sample of the belt piece undergoing thermal treatment, or not, three specimens of the following dimensions:

- length in the longitudinal direction of the belt, SL_{\min} : 350 mm for cords up to 5 mm in diameter, or 450 mm for cords over 5 mm in diameter;
- width: such that the specimen contains five warp cords;
- thickness: thickness of the belt including both covers.

In the centre of the specimen, trace the limits of the test length L , defined in [Table 1](#).

Table 1 — Test length, L , corresponding to the diameter, D , of the warp Cords

Dimensions in millimetres		
D		
$D \leq 2$	$2 < D \leq 5$	$5 < D$
L		
25 ± 1	50 ± 2	100 ± 2

Using a knife, remove the cover and weft, if any, along at least 10 mm on either side of the test length L , so that the five warp cords are laid bare on both sides.

On one side, cut the centre cord as close as possible to the test area (see [Figure 1](#) or [Figure 2](#)).

On the other side, cut the four cords on either side of the centre cord, as close as possible to the test area (see [Figure 1](#) or [Figure 2](#)).

With a knife, detach the coating at the ends of the cut cords.

Take care not to damage the cord to be bond-tested.

7 Conditioning

Condition the test specimens, selected in accordance with [Clause 6](#), for a period of not less than 3 h at $23 \text{ }^\circ\text{C} \pm 2 \text{ }^\circ\text{C}$ and (50 ± 5) relative humidity, immediately prior to testing in accordance with [Clause 8](#).

8 Procedure

Set the distance between the jaws of the testing machine ([4.1](#)) at $250 \text{ mm} \pm 10 \text{ mm}$.

Place the ends of the specimens between the jaws and, for jaws with self-tightening wedges, check that the various Parts of these jaws move freely and smoothly.

Apply a continuous tensile stress to the specimen (with no pauses) at a speed of $(100 \pm 10) \text{ mm/min}$.

Maintain the tractive force until the steel cord is completely torn out.

NOTE The highest tractive force, which is defined as the tear-out force.

Repeat the test on the two other specimens.

9 Expression of results

Calculate the arithmetical mean value of the tear-out force, expressed in newtons, of the three specimens tested in Formula (1)

$$F = \frac{F_1 + F_2 + F_3}{3} \quad (1)$$

The cord-to-coating bond strength, A , is expressed in newtons per millimetre by Formula (2)

$$A = \frac{F}{L} \quad (2)$$

where

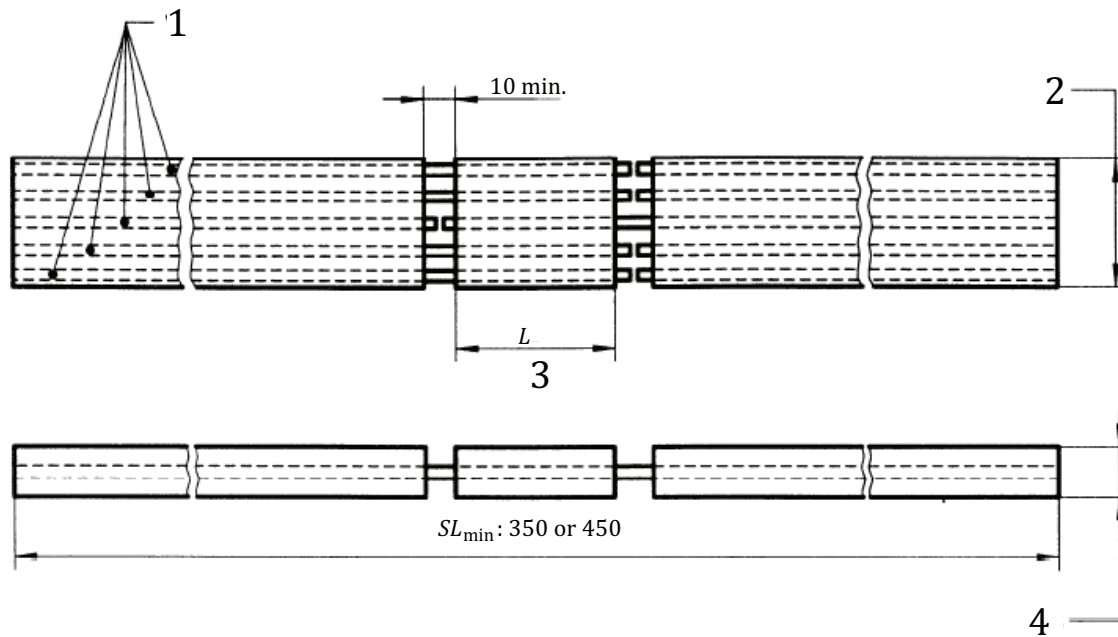
L is the test length in millimetres.

10 Test report

The test report shall contain the following information:

- a) reference to this International Standard, i.e. ISO 7623;
- b) identification of the belt tested and whether it is in the initial state or thermally treated state, or another state [see e)];
- c) cord-to-coating bond strength, expressed as indicated in [Clause 9](#);
- d) the test temperature if other than 23 °C, and the test relative humidity if other than 50 %;
- e) details of any departure from the Standard thermal treatment specified in [5.2](#).

Dimensions in millimetres

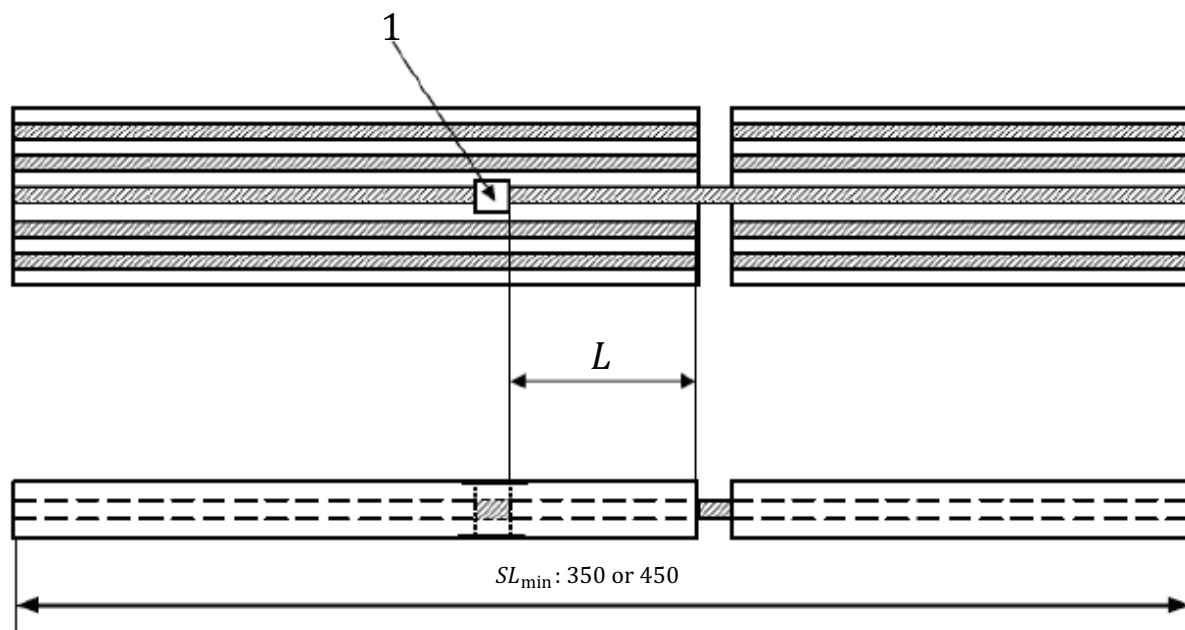


Key

- 1 warp cords
- 2 test specimen width
- 3 test length
- 4 test specimen thickness

Figure 1 — Specimen for the bond test of the steel cord to its coating

Dimensions in millimetres



Key

- 1 cutting point at the centre cord

Figure 2 — Simple test specimen

British Standards Institution (BSI)

BSI is the national body responsible for preparing British Standards and other standards-related publications, information and services.

BSI is incorporated by Royal Charter. British Standards and other standardization products are published by BSI Standards Limited.

About us

We bring together business, industry, government, consumers, innovators and others to shape their combined experience and expertise into standards-based solutions.

The knowledge embodied in our standards has been carefully assembled in a dependable format and refined through our open consultation process. Organizations of all sizes and across all sectors choose standards to help them achieve their goals.

Information on standards

We can provide you with the knowledge that your organization needs to succeed. Find out more about British Standards by visiting our website at bsigroup.com/standards or contacting our Customer Services team or Knowledge Centre.

Buying standards

You can buy and download PDF versions of BSI publications, including British and adopted European and international standards, through our website at bsigroup.com/shop, where hard copies can also be purchased.

If you need international and foreign standards from other Standards Development Organizations, hard copies can be ordered from our Customer Services team.

Subscriptions

Our range of subscription services are designed to make using standards easier for you. For further information on our subscription products go to bsigroup.com/subscriptions.

With **British Standards Online (BSOL)** you'll have instant access to over 55,000 British and adopted European and international standards from your desktop. It's available 24/7 and is refreshed daily so you'll always be up to date.

You can keep in touch with standards developments and receive substantial discounts on the purchase price of standards, both in single copy and subscription format, by becoming a **BSI Subscribing Member**.

PLUS is an updating service exclusive to BSI Subscribing Members. You will automatically receive the latest hard copy of your standards when they're revised or replaced.

To find out more about becoming a BSI Subscribing Member and the benefits of membership, please visit bsigroup.com/shop.

With a **Multi-User Network Licence (MUNL)** you are able to host standards publications on your intranet. Licences can cover as few or as many users as you wish. With updates supplied as soon as they're available, you can be sure your documentation is current. For further information, email bsmusales@bsigroup.com.

BSI Group Headquarters

389 Chiswick High Road London W4 4AL UK

Revisions

Our British Standards and other publications are updated by amendment or revision.

We continually improve the quality of our products and services to benefit your business. If you find an inaccuracy or ambiguity within a British Standard or other BSI publication please inform the Knowledge Centre.

Copyright

All the data, software and documentation set out in all British Standards and other BSI publications are the property of and copyrighted by BSI, or some person or entity that owns copyright in the information used (such as the international standardization bodies) and has formally licensed such information to BSI for commercial publication and use. Except as permitted under the Copyright, Designs and Patents Act 1988 no extract may be reproduced, stored in a retrieval system or transmitted in any form or by any means – electronic, photocopying, recording or otherwise – without prior written permission from BSI. Details and advice can be obtained from the Copyright & Licensing Department.

Useful Contacts:

Customer Services

Tel: +44 845 086 9001

Email (orders): orders@bsigroup.com

Email (enquiries): cservices@bsigroup.com

Subscriptions

Tel: +44 845 086 9001

Email: subscriptions@bsigroup.com

Knowledge Centre

Tel: +44 20 8996 7004

Email: knowledgecentre@bsigroup.com

Copyright & Licensing

Tel: +44 20 8996 7070

Email: copyright@bsigroup.com



...making excellence a habit.™