

BS EN ISO 7326:2016



BSI Standards Publication

**Rubber and plastics hoses —
Assessment of ozone resistance
under static conditions
(ISO 7326:2016)**

National foreword

This British Standard is the UK implementation of EN ISO 7326:2016. It supersedes BS EN ISO 7326:2008 which is withdrawn.

The UK participation in its preparation was entrusted to Technical Committee PRI/66, Rubber and plastics tubing, hoses and hose assemblies.

A list of organizations represented on this committee can be obtained on request to its secretary.

This publication does not purport to include all the necessary provisions of a contract. Users are responsible for its correct application.

© The British Standards Institution 2016.
Published by BSI Standards Limited 2016

ISBN 978 0 580 89087 1

ICS 23.040.70

Compliance with a British Standard cannot confer immunity from legal obligations.

This British Standard was published under the authority of the Standards Policy and Strategy Committee on 31 October 2016.

Amendments/corrigenda issued since publication

Date	Text affected
------	---------------

EUROPEAN STANDARD

EN ISO 7326

NORME EUROPÉENNE

EUROPÄISCHE NORM

October 2016

ICS 23.040.70

Supersedes EN ISO 7326:2008

English Version

Rubber and plastics hoses - Assessment of ozone resistance under static conditions (ISO 7326:2016)

Tuyaux en caoutchouc et en plastique - Évaluation de la résistance à l'ozone dans des conditions statiques (ISO 7326:2016)

Gummi- und Kunststoffschläuche - Bestimmung der Ozonbeständigkeit unter statischen Bedingungen (ISO 7326:2016)

This European Standard was approved by CEN on 9 October 2016.

CEN members are bound to comply with the CEN/CENELEC Internal Regulations which stipulate the conditions for giving this European Standard the status of a national standard without any alteration. Up-to-date lists and bibliographical references concerning such national standards may be obtained on application to the CEN-CENELEC Management Centre or to any CEN member.

This European Standard exists in three official versions (English, French, German). A version in any other language made by translation under the responsibility of a CEN member into its own language and notified to the CEN-CENELEC Management Centre has the same status as the official versions.

CEN members are the national standards bodies of Austria, Belgium, Bulgaria, Croatia, Cyprus, Czech Republic, Denmark, Estonia, Finland, Former Yugoslav Republic of Macedonia, France, Germany, Greece, Hungary, Iceland, Ireland, Italy, Latvia, Lithuania, Luxembourg, Malta, Netherlands, Norway, Poland, Portugal, Romania, Slovakia, Slovenia, Spain, Sweden, Switzerland, Turkey and United Kingdom.



EUROPEAN COMMITTEE FOR STANDARDIZATION
COMITÉ EUROPÉEN DE NORMALISATION
EUROPÄISCHES KOMITEE FÜR NORMUNG

CEN-CENELEC Management Centre: Avenue Marnix 17, B-1000 Brussels

European foreword

This document (EN ISO 7326:2016) has been prepared by Technical Committee ISO/TC 45 "Rubber and rubber products" in collaboration with Technical Committee CEN/TC 218 "Rubber and plastics hoses and hose assemblies" the secretariat of which is held by BSI.

This European Standard shall be given the status of a national standard, either by publication of an identical text or by endorsement, at the latest by April 2017, and conflicting national standards shall be withdrawn at the latest by April 2017.

Attention is drawn to the possibility that some of the elements of this document may be the subject of patent rights. CEN [and/or CENELEC] shall not be held responsible for identifying any or all such patent rights.

This document supersedes EN ISO 7326:2008.

According to the CEN-CENELEC Internal Regulations, the national standards organizations of the following countries are bound to implement this European Standard: Austria, Belgium, Bulgaria, Croatia, Cyprus, Czech Republic, Denmark, Estonia, Finland, Former Yugoslav Republic of Macedonia, France, Germany, Greece, Hungary, Iceland, Ireland, Italy, Latvia, Lithuania, Luxembourg, Malta, Netherlands, Norway, Poland, Portugal, Romania, Slovakia, Slovenia, Spain, Sweden, Switzerland, Turkey and the United Kingdom.

Endorsement notice

The text of ISO 7326:2016 has been approved by CEN as EN ISO 7326:2016 without any modification.

Contents

Page

Foreword	iv
Introduction	v
1 Scope	1
2 Normative references	1
3 Terms and definitions	1
4 General considerations	1
5 Apparatus	2
6 Test pieces	2
6.1 Type of test piece.....	2
6.1.1 Method 1.....	2
6.1.2 Method 2.....	2
6.1.3 Method 3.....	2
6.1.4 Method 4.....	3
6.1.5 Method 5.....	3
6.2 Number of test pieces.....	3
7 Conditioning of test pieces	3
8 Test conditions	3
9 Procedure	3
9.1 Method 1.....	3
9.2 Method 2.....	4
9.3 Method 3.....	4
9.4 Method 4.....	5
9.5 Method 5.....	6
10 Test report	7
Bibliography	8

Foreword

ISO (the International Organization for Standardization) is a worldwide federation of national standards bodies (ISO member bodies). The work of preparing International Standards is normally carried out through ISO technical committees. Each member body interested in a subject for which a technical committee has been established has the right to be represented on that committee. International organizations, governmental and non-governmental, in liaison with ISO, also take part in the work. ISO collaborates closely with the International Electrotechnical Commission (IEC) on all matters of electrotechnical standardization.

The procedures used to develop this document and those intended for its further maintenance are described in the ISO/IEC Directives, Part 1. In particular the different approval criteria needed for the different types of ISO documents should be noted. This document was drafted in accordance with the editorial rules of the ISO/IEC Directives, Part 2 (see www.iso.org/directives).

Attention is drawn to the possibility that some of the elements of this document may be the subject of patent rights. ISO shall not be held responsible for identifying any or all such patent rights. Details of any patent rights identified during the development of the document will be in the Introduction and/or on the ISO list of patent declarations received (see www.iso.org/patents).

Any trade name used in this document is information given for the convenience of users and does not constitute an endorsement.

For an explanation on the meaning of ISO specific terms and expressions related to conformity assessment, as well as information about ISO's adherence to the World Trade Organization (WTO) principles in the Technical Barriers to Trade (TBT) see the following URL: www.iso.org/iso/foreword.html.

The committee responsible for this document is ISO/TC 45, *Rubber and rubber products*, Subcommittee SC 1, *Rubber and plastics hoses and hose assemblies*.

This fourth edition cancels and replaces the third edition (ISO 7326:2006), which has been technically revised with the following changes:

- in [Clause 2](#), the latest edition of ISO 1431-1 has been cited;
- [5.5](#) and [9.4.1](#) have been amended;
- in [6.1.1](#), the formula has been amended.

Introduction

The methods described in this document provide a means of assessing the resistance of hoses to the deleterious effects of atmospheric ozone under static conditions.

Rubber and plastics hoses — Assessment of ozone resistance under static conditions

1 Scope

This document specifies five methods for determining the ozone resistance of the outer covers of hoses:

- method 1, for bore sizes up to and including 25 mm, carried out on the hose itself;
- method 2, for bore sizes greater than 25 mm, carried out on a test piece from the hose wall;
- method 3, for bore sizes greater than 25 mm, carried out on a test piece from the cover;
- method 4, for all bore sizes, carried out on the hose itself;
- method 5, for all bore sizes, carried out on hoses that are expandable, for example textile-reinforced hoses.

NOTE For hoses with built-in fittings from which it is not possible to take test pieces, the ozone resistance can be assessed on slabs in accordance with ISO 1431-1, using test sheets of the appropriate polymeric compound vulcanized to the same degree.

2 Normative references

The following documents are referred to in the text in such a way that some or all of their content constitutes requirements of this document. For dated references, only the edition cited applies. For undated references, the latest edition of the referenced document (including any amendments) applies.

ISO 1431-1:2012, *Rubber, vulcanized or thermoplastic — Resistance to ozone cracking — Part 1: Static and dynamic strain testing*

ISO 23529, *Rubber — General procedures for preparing and conditioning test pieces for physical test methods*

3 Terms and definitions

For the purposes of this document, the terms and definitions given in ISO 8330 apply.

ISO and IEC maintain terminological databases for use in standardization at the following addresses:

- IEC Electropedia: available at <http://www.electropedia.org/>
- ISO Online browsing platform: available at <http://www.iso.org/obp>

4 General considerations

Method 1 and method 2 are the methods normally used, method 3 being used only if it is not possible to carry out the test in accordance with method 2. Method 4 is suitable for all bore sizes. Method 5 is specifically for testing expandable hoses in the expanded state.

The results of tests carried out in accordance with method 1 may not be comparable with the results obtained when tests are carried out in accordance with method 2 or method 3, even if the cover compounds of the hoses under test are identical in composition and are cured to the same degree. The test method to be used shall be as specified in the product standard.

5 Apparatus

All apparatus placed in the test cabinet shall be fabricated from materials which do not absorb or decompose ozone.

5.1 Ozone cabinet, with apparatus for generating ozone, monitoring and controlling the ozone concentration, as described in ISO 1431-1.

5.2 Test piece holder, as shown in [Figure 1](#) (for method 1).

5.3 Test piece holder, as shown in [Figure 2](#), made, for example, of wood coated with paint or aluminium (for method 2).

5.4 Jig, for elongation of test pieces (for method 3).

Details given in ISO 1431-1:2012, 5.6 shall be followed.

5.5 Cylinder, as shown in [Figure 3](#), with an outside diameter 2 times that of the specified minimum bend radius for the hose being tested or, if not specified, 8 times the outside diameter (for method 4).

5.6 Round rod, as shown in [Figure 4](#), with an outside diameter 1,2 times the inside diameter of the hose being tested (for method 5).

6 Test pieces

6.1 Type of test piece

6.1.1 Method 1

The test piece shall consist of a hose sample. The length shall be calculated by the following formula:

$$L = \pi \left(r_b + \frac{d_{\text{ext}}}{2} \right) + 2d_{\text{ext}}$$

where

L is the length of the test piece;

r_b is the bend radius of the hose under test, as specified in [9.1.1](#);

d_{ext} is the outside diameter of the hose under test.

6.1.2 Method 2

The test piece shall consist of a strip cut longitudinally from the hose. The strip shall be 150 mm long and 25 mm wide.

6.1.3 Method 3

The test piece shall consist of a strip of the hose cover, 25 mm in width, removed longitudinally from the hose. Lightly buff the underside of the strip in accordance with ISO 23529 to remove any reinforcement impressions and thus ensure uniformity of strain along the length of the strip.

6.1.4 Method 4

The test piece shall consist of a hose sample long enough to be wound at least once round the cylinder which will be used for the test.

6.1.5 Method 5

The test piece shall consist of a straight length of hose approximately 50 mm long.

6.2 Number of test pieces

Three test pieces shall be tested.

7 Conditioning of test pieces

No test shall be carried out within 24 h of manufacture.

The time interval between manufacture and testing shall be as specified in ISO 23529. For evaluations which are intended to be comparable, the test shall, as far as possible, be carried out after the same time interval after manufacture.

The test pieces, mounted as described for the appropriate procedure, shall be conditioned for 48 h in a substantially ozone-free atmosphere at standard temperature (see ISO 23529), in darkness or subdued light.

8 Test conditions

Unless other conditions are specified in the relevant hose specification, the test pieces shall be exposed in the ozone cabinet to an ozone concentration of (50 ± 5) pphm (parts per hundred million) by volume at (40 ± 2) °C for (72_{-2}^0) h.

NOTE It has been found that differences in atmospheric pressure can influence ozone cracking when test pieces are exposed to constant ozone concentrations expressed in parts per hundred million. This effect may be taken into account by expressing the ozone content in the ozonized air in terms of the partial pressure, i.e. in millipascals, and making comparisons at constant ozone partial pressure. At standard conditions of atmospheric pressure and temperature (101 kPa, 273 K), a concentration of 1 pphm is equivalent to a partial pressure of 1,01 mPa.

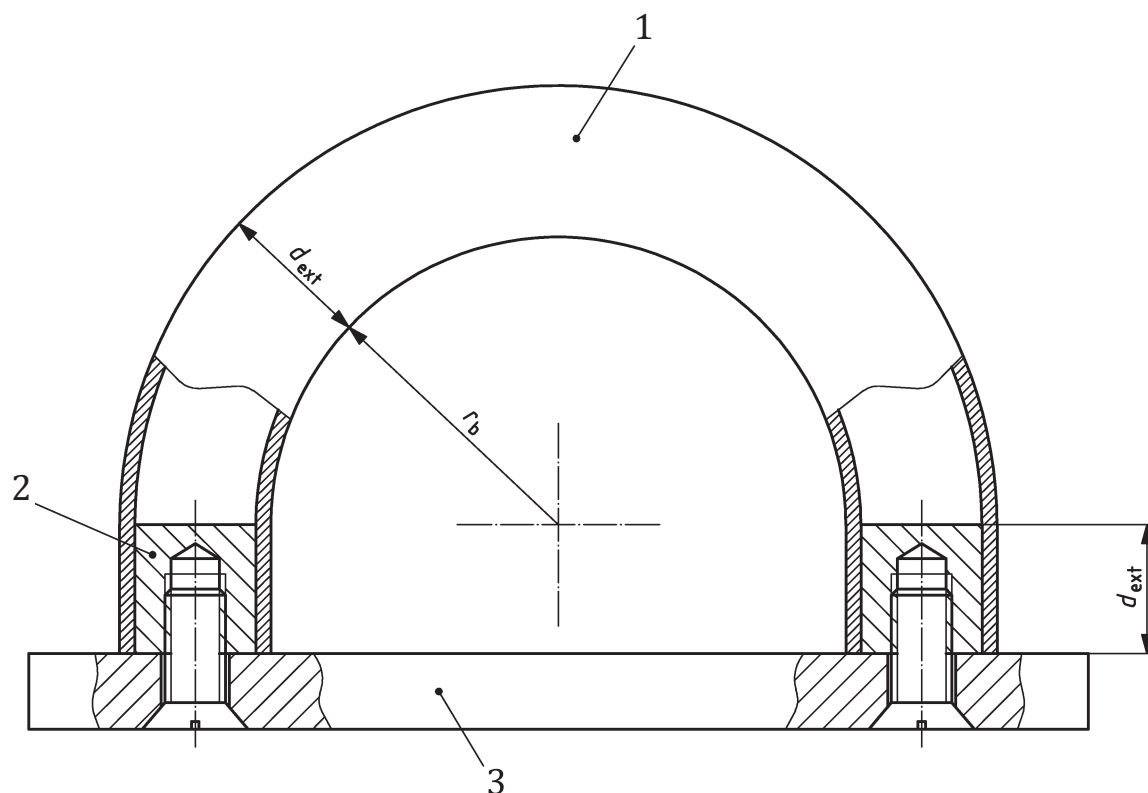
9 Procedure

9.1 Method 1

9.1.1 Mount each test piece on a test piece holder (5.2), as shown in Figure 1. The radius, r_b , shall be equal to the specified minimum bend radius for the hose under test or, if not specified, 6 times the internal diameter.

9.1.2 Seal the ends of the test pieces with caps to prevent absorption of ozone by the inner lining and reinforcement.

9.1.3 After periods of exposure of 2 h, 4 h, 24 h, 48 h and 72 h, examine the test pieces, whilst still in the extended condition, under $\times 2$ magnification, ignoring the area adjacent to the fixing points. If cracks are discovered, record their nature and the time at which they were first observed.



Key

- 1 hose test piece $\left[L = \pi \left(r_b + \frac{d_{\text{ext}}}{2} \right) + 2d_{\text{ext}} \right]$
- 2 aluminium plug
- 3 aluminium baseplate

Figure 1 — Arrangement for mounting hose for method 1

9.2 Method 2

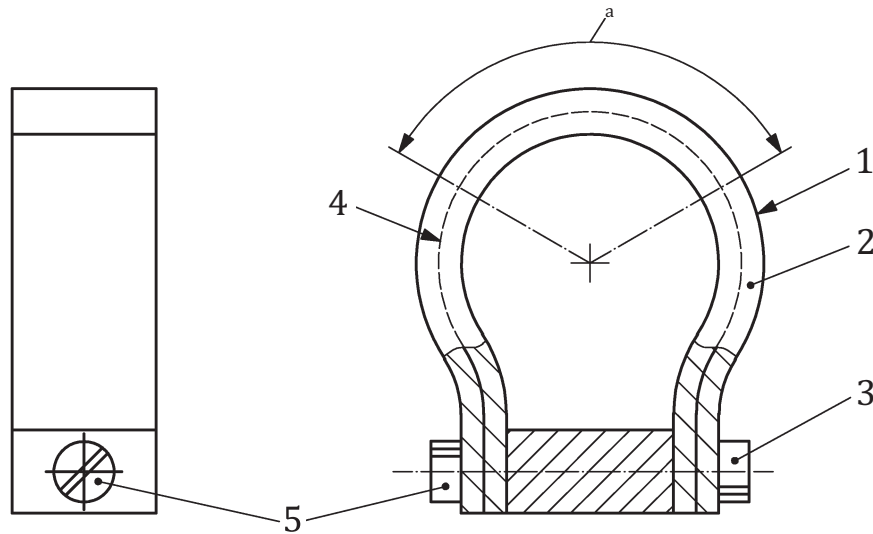
9.2.1 Mount each test piece on a test piece holder (5.3), as shown in Figure 2, so that the required elongation of the hose cover, measured over a distance of 20 mm, is reached. If not otherwise specified, the elongation of the cover shall be 20 %. Coat the edge and the lining of each test piece with an ozone-resistant lacquer.

9.2.2 After periods of exposure of 2 h, 4 h, 24 h, 48 h and 72 h, examine the test pieces, whilst still in the extended condition, under $\times 2$ magnification, ignoring the area adjacent to the fixing points. If cracks are discovered, record their nature and the time at which they were first observed.

9.3 Method 3

9.3.1 Mount each test piece in a jig (5.4) and apply 20 % elongation.

9.3.2 After periods of exposure of 2 h, 4 h, 24 h, 48 h and 72 h, examine the test pieces, whilst still in the extended condition, under $\times 2$ magnification, ignoring the area adjacent to the fixing points. If cracks are discovered, record their nature and the time at which they were first observed.



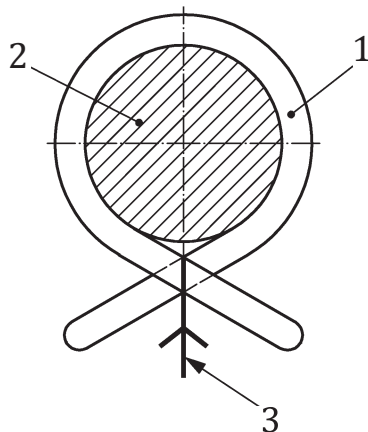
Key

- 1 outside surface of hose
- 2 test strip (end-to-end length = 150 mm)
- 3 grip
- 4 hose reinforcement
- 5 retaining bolt
- a Measurement distance.

Figure 2 — Test pieces mounted on holder for method 2

9.4 Method 4

9.4.1 Wind each test piece on a cylinder with an outside diameter 2 times of that of the specified minimum bend radius for the hose or, if not specified, 8 times the outside diameter, as shown in [Figure 3](#).



Key

- 1 test piece
- 2 cylinder
- 3 e.g. wire or cord to hold ends of test piece together

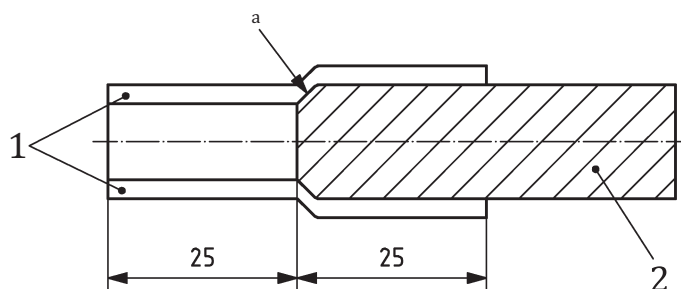
Figure 3 — Test piece wound on cylinder (method 4)

9.4.2 After periods of exposure of 2 h, 4 h, 24 h, 48 h and 72 h, examine the test pieces under $\times 2$ magnification, ignoring the area where the ends of the test piece were tied together. If cracks are discovered, record their nature and the time at which they were first observed.

9.5 Method 5

9.5.1 Insert a round rod of outside diameter 1,2 times the inside diameter of the hose into each test piece, as shown in [Figure 4](#).

Dimensions in millimetres



Key

- 1 test piece
- 2 round rod
- a End of rod has rounded edge.

Figure 4 — Round rod inserted in test piece (method 5)

9.5.2 After periods of exposure of 2 h, 4 h, 24 h, 48 h and 72 h, examine both ends and the outer cover of the test pieces under $\times 2$ magnification. If cracks are discovered, record their nature and the time at which they were first observed.

10 Test report

The test report shall include the following information:

- a) a reference to this document, i.e. ISO 7326:2016;
- b) a full description of the hose tested;
- c) the method used (method 1, 2, 3, 4 or 5);
- d) the details of the test conditions, i.e. ozone concentration, temperature, exposure period and elongation, as applicable;
- e) whether cracks were observed and, if so, their nature and the time the cracks were first observed;
- f) the date of test.

Bibliography

ISO 8330, *Rubber and plastics hoses and hose assemblies — Vocabulary*

British Standards Institution (BSI)

BSI is the national body responsible for preparing British Standards and other standards-related publications, information and services.

BSI is incorporated by Royal Charter. British Standards and other standardization products are published by BSI Standards Limited.

About us

We bring together business, industry, government, consumers, innovators and others to shape their combined experience and expertise into standards-based solutions.

The knowledge embodied in our standards has been carefully assembled in a dependable format and refined through our open consultation process. Organizations of all sizes and across all sectors choose standards to help them achieve their goals.

Information on standards

We can provide you with the knowledge that your organization needs to succeed. Find out more about British Standards by visiting our website at bsigroup.com/standards or contacting our Customer Services team or Knowledge Centre.

Buying standards

You can buy and download PDF versions of BSI publications, including British and adopted European and international standards, through our website at bsigroup.com/shop, where hard copies can also be purchased.

If you need international and foreign standards from other Standards Development Organizations, hard copies can be ordered from our Customer Services team.

Copyright in BSI publications

All the content in BSI publications, including British Standards, is the property of and copyrighted by BSI or some person or entity that owns copyright in the information used (such as the international standardization bodies) and has formally licensed such information to BSI for commercial publication and use.

Save for the provisions below, you may not transfer, share or disseminate any portion of the standard to any other person. You may not adapt, distribute, commercially exploit, or publicly display the standard or any portion thereof in any manner whatsoever without BSI's prior written consent.

Storing and using standards

Standards purchased in soft copy format:

- A British Standard purchased in soft copy format is licensed to a sole named user for personal or internal company use only.
- The standard may be stored on more than 1 device provided that it is accessible by the sole named user only and that only 1 copy is accessed at any one time.
- A single paper copy may be printed for personal or internal company use only.

Standards purchased in hard copy format:

- A British Standard purchased in hard copy format is for personal or internal company use only.
- It may not be further reproduced – in any format – to create an additional copy. This includes scanning of the document.

If you need more than 1 copy of the document, or if you wish to share the document on an internal network, you can save money by choosing a subscription product (see 'Subscriptions').

Reproducing extracts

For permission to reproduce content from BSI publications contact the BSI Copyright & Licensing team.

Subscriptions

Our range of subscription services are designed to make using standards easier for you. For further information on our subscription products go to bsigroup.com/subscriptions.

With **British Standards Online (BSOL)** you'll have instant access to over 55,000 British and adopted European and international standards from your desktop. It's available 24/7 and is refreshed daily so you'll always be up to date.

You can keep in touch with standards developments and receive substantial discounts on the purchase price of standards, both in single copy and subscription format, by becoming a **BSI Subscribing Member**.

PLUS is an updating service exclusive to BSI Subscribing Members. You will automatically receive the latest hard copy of your standards when they're revised or replaced.

To find out more about becoming a BSI Subscribing Member and the benefits of membership, please visit bsigroup.com/shop.

With a **Multi-User Network Licence (MUNL)** you are able to host standards publications on your intranet. Licences can cover as few or as many users as you wish. With updates supplied as soon as they're available, you can be sure your documentation is current. For further information, email subscriptions@bsigroup.com.

Revisions

Our British Standards and other publications are updated by amendment or revision.

We continually improve the quality of our products and services to benefit your business. If you find an inaccuracy or ambiguity within a British Standard or other BSI publication please inform the Knowledge Centre.

Useful Contacts

Customer Services

Tel: +44 345 086 9001

Email (orders): orders@bsigroup.com

Email (enquiries): cservices@bsigroup.com

Subscriptions

Tel: +44 345 086 9001

Email: subscriptions@bsigroup.com

Knowledge Centre

Tel: +44 20 8996 7004

Email: knowledgecentre@bsigroup.com

Copyright & Licensing

Tel: +44 20 8996 7070

Email: copyright@bsigroup.com

BSI Group Headquarters

389 Chiswick High Road London W4 4AL UK