

Protective clothing — Protection against liquid chemicals — Test method for resistance of materials to penetration by liquids

The European Standard EN ISO 6530:2005 has the status of a British Standard

ICS 13.340.10

National foreword

This British Standard is the official English language version of EN ISO 6530:2005. It is identical with ISO 6530:2005. It supersedes BS EN 368:1993, which is withdrawn.

The UK participation in its preparation was entrusted by Technical Committee PH/3, Protective clothing, to Subcommittee PH/3/3, Protective clothing against chemicals and radioactive contamination, which has the responsibility to:

- aid enquirers to understand the text;
- present to the responsible international/European committee any enquiries on the interpretation, or proposals for change, and keep the UK interests informed;
- monitor related international and European developments and promulgate them in the UK.

A list of organizations represented on this committee can be obtained on request to its secretary.

Cross-references

The British Standards which implement international or European publications referred to in this document may be found in the *BSI Catalogue* under the section entitled “International Standards Correspondence Index”, or by using the “Search” facility of the *BSI Electronic Catalogue* or of British Standards Online.

This publication does not purport to include all the necessary provisions of a contract. Users are responsible for its correct application.

Compliance with a British Standard does not of itself confer immunity from legal obligations.

This British Standard was published under the authority of the Standards Policy and Strategy Committee on 17 February 2005

Summary of pages

This document comprises a front cover, an inside front cover, the EN ISO title page, the EN ISO foreword page, the ISO title page, pages ii to iv, pages 1 to 8, an inside back cover and a back cover.

The BSI copyright notice displayed in this document indicates when the document was last issued.

Amendments issued since publication

Amd. No.	Date	Comments
15608	23 February 2005	Corrected Standard number on back cover.

© BSI 23 February 2005

ISBN 0 580 45484 3

English version

**Protective clothing - Protection against liquid chemicals - Test
method for resistance of materials to penetration by liquids (ISO
6530:2005)**

Vêtements de protection - Protection contre les produits
chimiques liquides - Méthode d'essai pour la résistance
des matériaux à la pénétration par des liquides (ISO
6530:2005)

Schutzkleidung - Schutz gegen flüssige Chemikalien -
Prüfverfahren: Bestimmung des Widerstands von
Materialien gegen die Durchdringung von Flüssigkeiten
(ISO 6530:2005)

This European Standard was approved by CEN on 24 December 2004.

CEN members are bound to comply with the CEN/CENELEC Internal Regulations which stipulate the conditions for giving this European Standard the status of a national standard without any alteration. Up-to-date lists and bibliographical references concerning such national standards may be obtained on application to the Central Secretariat or to any CEN member.

This European Standard exists in three official versions (English, French, German). A version in any other language made by translation under the responsibility of a CEN member into its own language and notified to the Central Secretariat has the same status as the official versions.

CEN members are the national standards bodies of Austria, Belgium, Cyprus, Czech Republic, Denmark, Estonia, Finland, France, Germany, Greece, Hungary, Iceland, Ireland, Italy, Latvia, Lithuania, Luxembourg, Malta, Netherlands, Norway, Poland, Portugal, Slovakia, Slovenia, Spain, Sweden, Switzerland and United Kingdom.



EUROPEAN COMMITTEE FOR STANDARDIZATION
COMITÉ EUROPÉEN DE NORMALISATION
EUROPÄISCHES KOMITEE FÜR NORMUNG

Management Centre: rue de Stassart, 36 B-1050 Brussels

Foreword

This document (EN ISO 6530:2005) has been prepared by Technical Committee CEN/TC 162 "Protective clothing including hand and arm protection and lifejackets", the secretariat of which is held by DIN, in collaboration with Technical Committee ISO/TC 94 "Personal safety - Protective clothing and equipment".

This European Standard shall be given the status of a national standard, either by publication of an identical text or by endorsement, at the latest by August 2005, and conflicting national standards shall be withdrawn at the latest by August 2005.

This document supersedes EN 368:1992.

This document has been prepared under a mandate given to CEN by the European Commission and the European Free Trade Association, and supports essential requirements of EU Directive(s).

For relationship with EU Directive(s), see informative Annex ZA, which is an integral part of this document.

According to the CEN/CENELEC Internal Regulations, the national standards organizations of the following countries are bound to implement this European Standard: Austria, Belgium, Cyprus, Czech Republic, Denmark, Estonia, Finland, France, Germany, Greece, Hungary, Iceland, Ireland, Italy, Latvia, Lithuania, Luxembourg, Malta, Netherlands, Norway, Poland, Portugal, Slovakia, Slovenia, Spain, Sweden, Switzerland and United Kingdom.

INTERNATIONAL
STANDARD

ISO
6530

Third edition
2005-02-01

**Protective clothing — Protection against
liquid chemicals — Test method for
resistance of materials to penetration by
liquids**

*Vêtements de protection — Protection contre les produits chimiques
liquides — Méthode d'essai pour la résistance des matériaux à la
pénétration par des liquides*



Reference number
ISO 6530:2005(E)

Foreword

ISO (the International Organization for Standardization) is a worldwide federation of national standards bodies (ISO member bodies). The work of preparing International Standards is normally carried out through ISO technical committees. Each member body interested in a subject for which a technical committee has been established has the right to be represented on that committee. International organizations, governmental and non-governmental, in liaison with ISO, also take part in the work. ISO collaborates closely with the International Electrotechnical Commission (IEC) on all matters of electrotechnical standardization.

International Standards are drafted in accordance with the rules given in the ISO/IEC Directives, Part 2.

The main task of technical committees is to prepare International Standards. Draft International Standards adopted by the technical committees are circulated to the member bodies for voting. Publication as an International Standard requires approval by at least 75 % of the member bodies casting a vote.

Attention is drawn to the possibility that some of the elements of this document may be the subject of patent rights. ISO shall not be held responsible for identifying any or all such patent rights.

ISO 6530 was prepared by the European Committee for Standardization (CEN) Technical Committee CEN/TC 162, *Protective clothing including hand and arm protection and lifejackets*, in collaboration with Technical Committee ISO/TC 94, *Personal safety — Protective clothing and equipment*, Subcommittee SC 13, *Protective clothing*, in accordance with the Agreement on technical cooperation between ISO and CEN (Vienna Agreement).

This third edition cancels and replaces the second edition (ISO 6530:1990), which has been technically revised.

Introduction

This International Standard specifies a test method for measuring indices of penetration, absorption and repellency for protective clothing materials against low-volume, low-pressure splashes of liquid chemicals, usually chemicals of low volatility. ISO 13994 may be used for determining the penetration resistance of protective clothing materials against chemicals in larger volume and higher pressure splashes.

Clothing made of these materials should not be used as the sole means of protection where resistance to permeation by chemicals at the molecular level (see ISO 6529) is essential and where a complete barrier to liquid (or gaseous) chemicals is required (e.g. risk of exposure to massive and forceful discharges of concentrated liquid chemicals).

Data obtained by this test method may be used as a guide for screening protective clothing materials. Clothing, which has been developed from materials selected by this method of test should be used, therefore, only in well-defined circumstances when an evaluation of the finished item has indicated an acceptable level of performance (in laboratory and field-testing of a garment, consideration of exposure levels to specified chemicals, etc.).

In interpreting the results of the test method, the influences of the physical properties of the test chemical (e.g. volatility) should also be taken into consideration.

Protective clothing — Protection against liquid chemicals — Test method for resistance of materials to penetration by liquids

1 Scope

This International Standard specifies a test method for the measurement of indices of penetration, absorption and repellency for protective clothing materials against liquid chemicals, mainly chemicals of low volatility.

Two levels of the potential performance of materials are assessed by this method of testing to meet with possible requirements for protection against

- a) deposition on the surface of a material, at minimal pressure, of spray droplets up to coalescence or occasional small drips;
- b) contamination by a single low-volume splash or low-pressure jet, allowing sufficient time to divest the clothing or take other action as necessary to eliminate any hazard to the wearer from chemical retained by the protective garment, or, in circumstances where pressure is applied to liquid contaminants on the surface of the clothing material, as a result of natural movements of the wearer (flexing of contaminated areas of clothing at arms, knees, shoulders) and contact with contaminated surfaces (e.g. walking through sprayed foliage).

2 Definitions

For the purpose of this document, the following terms and definitions apply.

2.1

penetration

process by which a chemical moves through pores, apertures or essential openings in a material or finished item of clothing

NOTE The apertures can be the result of mechanical damage.

2.2

permeation

process by which a chemical moves through a protective clothing material on a molecular level

NOTE Permeation involves the following:

- a) sorption of the molecules of the chemical onto the contact surface (outer surface) of the material;
- b) diffusion of the sorbed molecules into the material;
- c) desorption of the molecules from the opposite (inner) surface of the material.

2.3

repellency

ability of a material to shed liquid that is applied to its surface

3 Principle

A measured volume of a test liquid is applied in the form of a fine stream or jet to the surface of a clothing material resting in an inclined gutter.

Determination of the respective proportions of the applied liquid which penetrate a test specimen and which are repelled by its surface indicates the potential of the material for use in the described field of application.

4 Method

4.1 Apparatus

The apparatus, as assembled (see Figure 1), shall comprise the following:

- rigid transparent gutter, of semi-cylindrical shape, with an internal diameter (125 ± 5) mm, length (300 ± 2) mm and inclination 45° ;
- rigid cover (not shown in Figure 1), semi-cylindrical in shape, length 270 mm, external diameter (105 ± 5) mm and an evenly distributed mass of (140 ± 7) g;
- hypodermic needle, bore $(0,8 \pm 0,02)$ mm; length is not critical but the pointed tip shall be removed and the end ground flat;
- syringe or other leak-free attachment to the needle, capable of delivering $(10 \pm 0,5)$ cm³ of test liquid;
- motorized syringe-drive unit or a hydraulic pump or other pressurized system, to deliver the correct volume of test liquid [$(10 \pm 0,5)$ cm³] in an unbroken stream or jet via the needle within (10 ± 1) s; manual delivery or gravity shall not be used;

WARNING — Appropriate precautions applicable to the use of equipment under pressure and the forceful discharge of liquid chemicals should be taken.

- mounting device, for maintaining the hypodermic needle and attachments in their required positions (see Figure 1);
- small beaker;
- balance, accurate to 0,01 g;
- transparent film, resistant to the test liquid;
- absorbent paper¹⁾, 0,15 mm to 0,2 mm thick;
- stopwatch, accurate to 0,1 s;
- temperature controlled room or cabinet, to enable tests to be carried out at temperatures other than ambient.

NOTE 1 The transparent film is to protect the gutter and obviate the need to rinse it between tests.

NOTE 2 The filter paper will show any passage of the test liquid through the test specimen. The semi-cylindrical cover is used to maintain intimate contact between the contaminated area of the test specimen and the filter paper after release of the test liquid.

1) Filter paper Whatman no. 1 is found to be suitable for this purpose. This information is given for the convenience of users of this ISO 6530 and does not constitute an endorsement by ISO of the product named. Equivalent products may be used if they can be shown to lead to the same results.

4.2 Test liquid

4.2.1 Selection

Use that liquid (or those liquids) against which protection is required.

If necessary, and in particular for safety reasons, substitutes may be used, provided that it can be demonstrated that their results are similar to those of the chemicals against which protection is required.

Water adjusted to a surface tension of $(30 \times 10^{-3} \pm 3 \times 10^{-3}) \text{ Nm}^{-1}$ is a convenient and safe test liquid for general screening purposes.

The results of tests with volatile liquids may not be reproducible unless validated procedures are followed to control losses by evaporation to a constant definable level. The measurements of penetration, absorption and repellency may be facilitated conveniently however by the solution of an analysable substance (e.g. fluorescent or visible dye tracers) in the volatile liquid, provided it does not influence the performance of the test specimen (i.e. its resistance to penetration and repellency).

4.2.2 Temperature of application

Test liquids shall be adjusted to the required test temperature. If not otherwise specified, tests shall be performed at $(20 \pm 2) ^\circ\text{C}$ and $(65 \pm 5) \%$ relative humidity.

4.3 Preparation of test specimens

Test specimens are taken from flat samples of materials used, or under consideration for use, in construction of protective clothing resistant to penetration (see Bibliography). Where required, samples should be conditioned in accordance with the procedures specified in the relevant product standards, e.g. washing and cleaning.

Where the influence of environmental factors, washing, chemical degradation, etc., on resistance to penetration is to be assessed, representative control specimens should be retained.

4.4 Procedure

4.4.1 For each test liquid, cut six test specimens of (360 ± 2) mm by (235 ± 5) mm from the clothing or sample of material and weigh them to the nearest 0,01 g.

In the case of woven fabrics, take three test specimens in the direction of the warp and three in the direction of the weft. For non-woven fabrics, if the direction of manufacture is recognizable, take three test specimens in that direction and three at right angles to it.

If there is no recognizable direction of manufacture, an arbitrary direction should be assigned prior to sampling. This should be noted in the test report.

4.4.2 Fold under 30 mm of the length of the test specimen and hold the fold in position on both sides by an appropriate means. Avoid any creases in the fabric.

4.4.3 Cut out a rectangle of (300 ± 2) mm by (235 ± 5) mm of the filter paper and the transparent film, and weigh them together to the nearest 0,01 g.

4.4.4 Check that the apparatus, test liquid and test specimens have been conditioned to the required test temperature.

4.4.5 Check that the volume of test liquid delivered via the needle is within the designated limit (see 4.1).

4.4.6 Place the weighed transparent film, absorbent paper and test specimen (in that order) in the gutter. The sample should be mounted so that the liquid strikes the “contacted” (outside) face of the fabric. Ensure that the top edges align with the top edge of the gutter and that the folded edge of the test specimen is face-down and protruding 30 mm from the lower edge (Figure 1). Eliminate all creases in each layer and ensure that all surfaces are in close contact. Secure with clips.

4.4.7 Weigh the beaker to the nearest 0,01 g. Place it under the folded edge of the test specimen for collection of test liquid running off the surface.

4.4.8 Mount the hypodermic needle vertically through the centre of an imaginary line, which joins the apices of the two uppermost corners of the gutter, so that the tip of the needle is (100 ± 2) mm from the inclined surface of the gutter (see Figure 1).

4.4.9 Simultaneously, start the stopwatch and discharge the test liquid (10 cm^3) within (10 ± 1) s, via the needle, onto the surface of the test specimen. Without delay, rest the semi-cylindrical cover centrally on top of the test specimen and ensure that the lower edges of the cover and the gutter are in line.

Test operators should realize that testing with volatile chemicals can lead to evaporative losses despite precautions taken in the testing of these chemicals. Evaporative losses may result in lower indices unless a complete mass balance is conducted (i.e. measurement of the mass change in the material specimen itself combined with the mass change of the absorbent paper/underlying film, and the mass of the beaker should be compared against the total mass of liquid dispensed).

4.4.10 After 60 s (from the start of the discharge of the test liquid), tap the gutter to dislodge any drops hanging from the folded edge of the test specimen. Remove the cover and the test specimen carefully to avoid additional run off, either into the beaker or onto the underlying absorbent paper and reweigh the following items to the nearest 0,01 g:

- the absorbent paper and underlying film;
- the beaker;
- the test specimen.

4.5 Expression of results

For each test specimen and each test liquid, calculate the indices of penetration, repellency and absorption in accordance with Equations (1) to (3).

a) For the index of penetration, I_P :

$$I_P = (M_p/M_t) \times 100 \quad (1)$$

where

M_p is the mass, expressed in grams, of test liquid accumulated by the absorbent paper/film combination;

M_t is the mass, expressed in grams, of test liquid discharged onto the test specimen.

b) For the index of repellency, I_R :

$$I_R = (M_r/M_t) \times 100 \quad (2)$$

where

M_r is the mass, expressed in grams, of test liquid collected in the beaker;

M_t is the mass, expressed in grams, of test liquid discharged onto the test specimen.

c) Index of absorption, I_A :

$$I_A = (M_a/M_t) \times 100 \quad (3)$$

where

M_a is the mass, expressed in grams, of test liquid absorbed by the material tested;

M_t is the mass, expressed in grams, of test liquid discharged onto the test specimen.

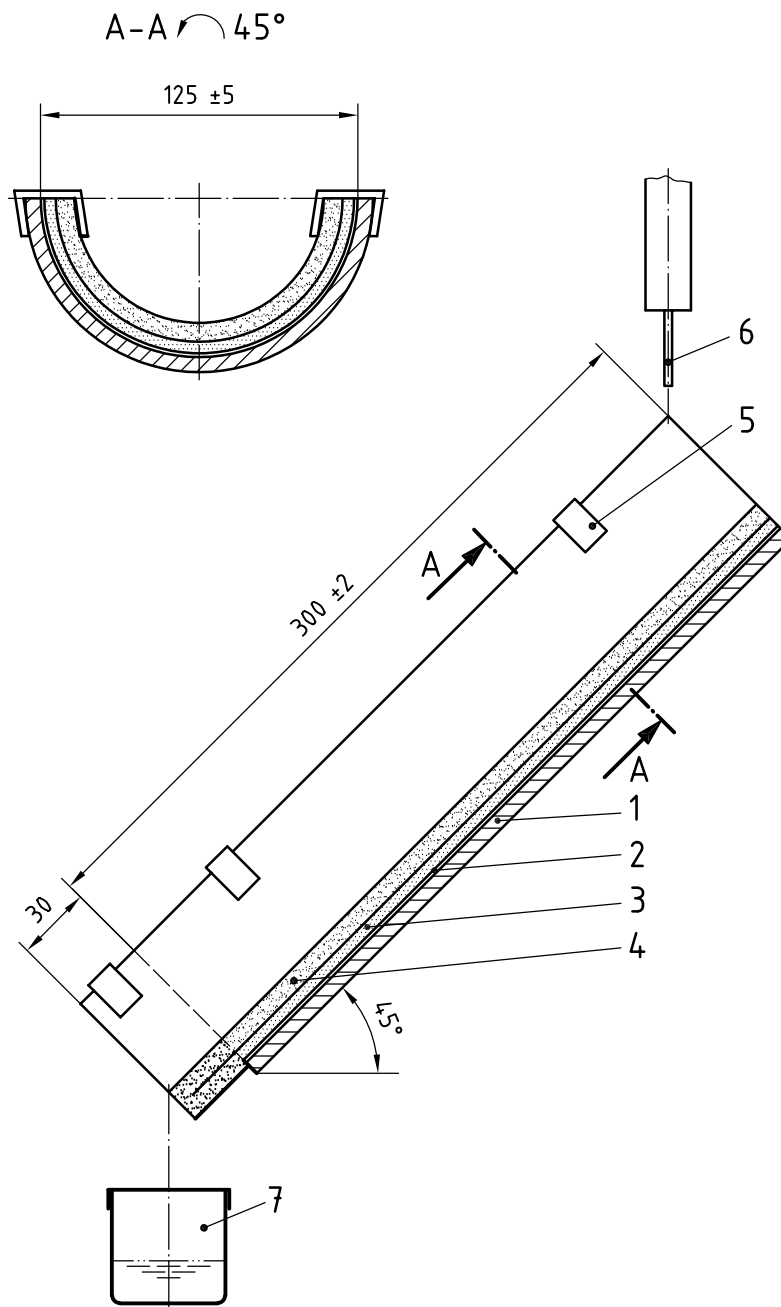
Express the indices I_P , I_R and I_A to one decimal place.

Where reliable correction factors for evaporative losses can be applied, the mass lost under the experimental conditions should be added to M_a , M_p or M_t before calculation of the respective indices I_P , I_R and I_A .

5 Test report

The test report shall include the following information:

- a) testing was carried out in accordance with this International Standard (e.g. ISO 6530:2004);
- b) manufacturer's identity for the material tested and, where appropriate, the particular part of a named item from which the test specimens were taken;
- c) mass per unit area, expressed in grams per square metre, of the material tested;
- d) description of any pre-treatments and/or preconditioning of the material tested;
- e) test liquid(s) used, including composition, trade names, etc.;
- f) boiling point of the liquid, or of the most volatile component of a mixture, and any allowance made for evaporative losses (if none, record "none");
- g) temperature, expressed in degrees Celsius, and range used in the tests;
- h) all individual test results (indices of penetration, absorption and repellency for a given liquid and flow rate of application) and any other influencing factors;
- i) any comments considered appropriate by the person who has carried out the tests.



Key

- 1 gutter
- 2 protective film
- 3 filter paper
- 4 test specimen
- 5 clips
- 6 hypodermic needle
- 7 beaker

Figure 1 — Test apparatus

ANNEX ZA
(informative)

Relationship between this European Standard and the Essential Requirements of EU Directive 89/686 EEC

This European Standard has been prepared under a mandate given to CEN by the European Commission and the European Free Trade Association to provide a means of conforming to Essential Requirements of the New Approach Directive 89/686 EEC.

Once this standard is cited in the Official Journal of the European Communities under that Directive and has been implemented as a national standard in at least one Member State, compliance with the normative clauses of this standard given in Table ZA. confers, within the limits of the scope of this standard, a presumption of conformity with the corresponding Essential Requirements of that Directive and associated EFTA regulations.

WARNING: Other requirements and other EU Directives may be applicable to the product(s) falling within the scope of this standard.

Bibliography

- [1] ISO 6529, *Protective clothing — Protection against chemicals — Determination of resistance of protective clothing materials to permeation by liquids and gas*
- [2] ISO 13994, *Clothing for protection against liquid chemicals — Determination of the resistance of protective clothing materials to penetration by liquids under pressure*

BSI — British Standards Institution

BSI is the independent national body responsible for preparing British Standards. It presents the UK view on standards in Europe and at the international level. It is incorporated by Royal Charter.

Revisions

British Standards are updated by amendment or revision. Users of British Standards should make sure that they possess the latest amendments or editions.

It is the constant aim of BSI to improve the quality of our products and services. We would be grateful if anyone finding an inaccuracy or ambiguity while using this British Standard would inform the Secretary of the technical committee responsible, the identity of which can be found on the inside front cover.
Tel: +44 (0)20 8996 9000. Fax: +44 (0)20 8996 7400.

BSI offers members an individual updating service called PLUS which ensures that subscribers automatically receive the latest editions of standards.

Buying standards

Orders for all BSI, international and foreign standards publications should be addressed to Customer Services. Tel: +44 (0)20 8996 9001.
Fax: +44 (0)20 8996 7001. Email: orders@bsi-global.com. Standards are also available from the BSI website at <http://www.bsi-global.com>.

In response to orders for international standards, it is BSI policy to supply the BSI implementation of those that have been published as British Standards, unless otherwise requested.

Information on standards

BSI provides a wide range of information on national, European and international standards through its Library and its Technical Help to Exporters Service. Various BSI electronic information services are also available which give details on all its products and services. Contact the Information Centre.
Tel: +44 (0)20 8996 7111. Fax: +44 (0)20 8996 7048. Email: info@bsi-global.com.

Subscribing members of BSI are kept up to date with standards developments and receive substantial discounts on the purchase price of standards. For details of these and other benefits contact Membership Administration.
Tel: +44 (0)20 8996 7002. Fax: +44 (0)20 8996 7001.
Email: membership@bsi-global.com.

Information regarding online access to British Standards via British Standards Online can be found at <http://www.bsi-global.com/bsonline>.

Further information about BSI is available on the BSI website at <http://www.bsi-global.com>.

Copyright

Copyright subsists in all BSI publications. BSI also holds the copyright, in the UK, of the publications of the international standardization bodies. Except as permitted under the Copyright, Designs and Patents Act 1988 no extract may be reproduced, stored in a retrieval system or transmitted in any form or by any means – electronic, photocopying, recording or otherwise – without prior written permission from BSI.

This does not preclude the free use, in the course of implementing the standard, of necessary details such as symbols, and size, type or grade designations. If these details are to be used for any other purpose than implementation then the prior written permission of BSI must be obtained.

Details and advice can be obtained from the Copyright & Licensing Manager.
Tel: +44 (0)20 8996 7070. Fax: +44 (0)20 8996 7553.
Email: copyright@bsi-global.com.