

BS EN ISO 5530-2:2014



BSI Standards Publication

Wheat flour — Physical characteristics of doughs

Part 2: Determination of rheological properties using an extensograph

bsi.

...making excellence a habit.™

National foreword

This British Standard is the UK implementation of EN ISO 5530-2:2014. It is identical to ISO 5530-2:2012.

The UK participation in its preparation was entrusted to Technical Committee AW/4, Cereals and pulses.

A list of organizations represented on this committee can be obtained on request to its secretary.

This publication does not purport to include all the necessary provisions of a contract. Users are responsible for its correct application.

© The British Standards Institution 2015. Published by BSI Standards Limited 2015

ISBN 978 0 580 86713 2

ICS 67.060

Compliance with a British Standard cannot confer immunity from legal obligations.

This British Standard was published under the authority of the Standards Policy and Strategy Committee on 28 February 2015.

Amendments issued since publication

Date	Text affected
------	---------------

ICS 67.060

English Version

Wheat flour - Physical characteristics of doughs - Part 2: Determination of rheological properties using an extensograph (ISO 5530-2:2012)

Farines de blé tendre - Caractéristiques physiques des pâtes - Partie 2: Détermination des caractéristiques rhéologiques au moyen de l'extensographe (ISO 5530-2:2012)

Weizenmehl - Physikalische Eigenschaften von Teigen - Teil 2: Bestimmung der rheologischen Eigenschaften mittels Extensograph (ISO 5530-2:2012)

This European Standard was approved by CEN on 16 December 2014.

CEN members are bound to comply with the CEN/CENELEC Internal Regulations which stipulate the conditions for giving this European Standard the status of a national standard without any alteration. Up-to-date lists and bibliographical references concerning such national standards may be obtained on application to the CEN-CENELEC Management Centre or to any CEN member.

This European Standard exists in three official versions (English, French, German). A version in any other language made by translation under the responsibility of a CEN member into its own language and notified to the CEN-CENELEC Management Centre has the same status as the official versions.

CEN members are the national standards bodies of Austria, Belgium, Bulgaria, Croatia, Cyprus, Czech Republic, Denmark, Estonia, Finland, Former Yugoslav Republic of Macedonia, France, Germany, Greece, Hungary, Iceland, Ireland, Italy, Latvia, Lithuania, Luxembourg, Malta, Netherlands, Norway, Poland, Portugal, Romania, Slovakia, Slovenia, Spain, Sweden, Switzerland, Turkey and United Kingdom.



EUROPEAN COMMITTEE FOR STANDARDIZATION
COMITÉ EUROPÉEN DE NORMALISATION
EUROPÄISCHES KOMITEE FÜR NORMUNG

CEN-CENELEC Management Centre: Avenue Marnix 17, B-1000 Brussels

Foreword

The text of ISO 5530-2:2012 has been prepared by Technical Committee ISO/TC 34 "Food products" of the International Organization for Standardization (ISO) and has been taken over as EN ISO 5530-2:2014 by Technical Committee CEN/TC 338 "Cereal and cereal products" the secretariat of which is held by AFNOR.

This European Standard shall be given the status of a national standard, either by publication of an identical text or by endorsement, at the latest by June 2015, and conflicting national standards shall be withdrawn at the latest by June 2015.

Attention is drawn to the possibility that some of the elements of this document may be the subject of patent rights. CEN [and/or CENELEC] shall not be held responsible for identifying any or all such patent rights.

According to the CEN-CENELEC Internal Regulations, the national standards organizations of the following countries are bound to implement this European Standard: Austria, Belgium, Bulgaria, Croatia, Cyprus, Czech Republic, Denmark, Estonia, Finland, Former Yugoslav Republic of Macedonia, France, Germany, Greece, Hungary, Iceland, Ireland, Italy, Latvia, Lithuania, Luxembourg, Malta, Netherlands, Norway, Poland, Portugal, Romania, Slovakia, Slovenia, Spain, Sweden, Switzerland, Turkey and the United Kingdom.

Endorsement notice

The text of ISO 5530-2:2012 has been approved by CEN as EN ISO 5530-2:2014 without any modification.

Contents

Page

Foreword	iv
1 Scope	1
2 Normative references	1
3 Terms and definitions	1
4 Principle	2
5 Reagents	2
6 Apparatus	2
7 Sampling	3
8 Procedure	3
8.1 Determination of the moisture content of the flour	3
8.2 Preparation of apparatus	3
8.3 Test portion	4
8.4 Preparation of the dough	4
8.5 Determination	5
9 Expression of results	5
9.1 General	5
9.2 Water absorption	6
9.3 Resistance to stretching	6
9.4 Extensibility, <i>E</i>	6
9.5 Energy	6
9.6 Ratio (<i>R/E</i>)	6
10 Precision	7
10.1 Repeatability	7
10.2 Reproducibility	7
11 Test report	8
Annex A (informative) Description of the extensograph	9
Annex B (informative) Results of interlaboratory tests	13
Bibliography	14

Foreword

ISO (the International Organization for Standardization) is a worldwide federation of national standards bodies (ISO member bodies). The work of preparing International Standards is normally carried out through ISO technical committees. Each member body interested in a subject for which a technical committee has been established has the right to be represented on that committee. International organizations, governmental and non-governmental, in liaison with ISO, also take part in the work. ISO collaborates closely with the International Electrotechnical Commission (IEC) on all matters of electrotechnical standardization.

International Standards are drafted in accordance with the rules given in the ISO/IEC Directives, Part 2.

The main task of technical committees is to prepare International Standards. Draft International Standards adopted by the technical committees are circulated to the member bodies for voting. Publication as an International Standard requires approval by at least 75 % of the member bodies casting a vote.

Attention is drawn to the possibility that some of the elements of this document may be the subject of patent rights. ISO shall not be held responsible for identifying any or all such patent rights.

ISO 5530-2 was prepared by Technical Committee ISO/TC 34, *Food products*, Subcommittee SC 4, *Cereals and pulses*.

This third edition cancels and replaces the second edition (ISO 5530-2:1997), which has been technically revised.

ISO 5530 consists of the following parts, under the general title *Wheat flour — Physical characteristics of doughs*:

- *Part 1: Determination of water absorption and rheological properties using a farinograph*
- *Part 2: Determination of rheological properties using an extensograph*
- *Part 3: Determination of water absorption and rheological properties using a valorigraph*

Wheat flour — Physical characteristics of doughs —

Part 2: Determination of rheological properties using an extensograph

1 Scope

This part of ISO 5530 specifies a method, using an extensograph, for the determination of the rheological properties of wheat flour dough in an extension test. The recorded load–extension curve is used to assess general quality of flour and its response to improving agents.

The method is applicable to experimental and commercial flours from wheat (*Triticum aestivum* L.).

NOTE This part of ISO 5530 is based on ICC 114.^[3]

2 Normative references

The following referenced documents are indispensable for the application of this document. For dated references, only the edition cited applies. For undated references, the latest edition of the referenced document (including any amendments) applies.

ISO 712, *Cereals and cereal products — Determination of moisture content — Reference method*

ISO 5530-1:—,¹⁾ *Wheat flour — Physical characteristics of doughs — Part 1: Determination of water absorption and rheological properties using a farinograph*

3 Terms and definitions

For the purposes of this part of ISO 5530, the following terms and definitions apply.

3.1

energy

capacity to do work

NOTE 1 For the purposes of this part of ISO 5530, the energy is determined as the area under a recorded curve. The energy describes the work applied when stretching a dough sample.

NOTE 2 The area is measured by a planimeter and reported in square centimetres.

3.2

extensibility

E

distance travelled by the recorder paper from the moment that the hook touches the test piece until rupture of (one of the strings of) the test piece

NOTE See 9.4 and Figure 1.

3.3

extensograph water absorption

volume of water required to produce a dough with a consistency of 500 farinograph units (FU) after 5 min mixing, under specified operating conditions

NOTE Extensograph water absorption is expressed in millilitres per 100 g of flour at 14,0 % mass fraction moisture content.

1) To be published. (Revision of ISO 5530-1:1997)

3.4 maximum resistance

R_m
mean of the maximum heights of the extensograph curves from the two test pieces, provided that the difference between them does not exceed 15 % of their mean value

NOTE See 9.3.1 and Figure 1.

3.5 ratio (*RIE*)

quotient of the maximum resistance, R_m , and the extensibility or the resistance after 50 mm transposition of the recorder paper, R_{50} , and the extensibility

NOTE The ratio is an additional factor in the review of the dough behaviour.

3.6 resistance at constant deformation

mean of the heights of the extensograph curves after 50 mm transposition of the recorder paper from the two test pieces, provided that the difference between them does not exceed 15 % of their mean value

NOTE See 9.3.2 and Figure 1.

3.7 stretching characteristics

<dough> resistance of dough to extension and the extent to which it can be stretched until breaking, under specified operating conditions

NOTE 1 The resistance is expressed in arbitrary units (extensograph units, EU).

NOTE 2 The extent of stretching is expressed in millimetres or centimetres.

4 Principle

Dough is prepared from flour, water and salt in a farinograph under specified conditions. A test piece is then moulded on the balling unit and moulder of the extensograph into a standard shape. After a fixed period of time, the test piece is stretched and the force required recorded. Immediately after these operations, the same test piece is subjected to two further cycles of moulding, rest period and stretching.

The size and shape of the curves obtained are a guide to the physical properties of the dough. These physical properties influence the end-use quality of the flour.

5 Reagents

Use only reagents of recognized analytical grade, unless otherwise specified, and distilled or demineralized water or water of equivalent purity.

5.1 Sodium chloride.

6 Apparatus

Usual laboratory apparatus and, in particular, the following.

6.1 Extensograph,²⁾ with a thermostat consisting of a constant temperature water bath (see Annex A), with the following operating characteristics:

2) This document has been drawn up on the basis of the Brabender Extensograph, which is an example of a suitable product available commercially. This information is given for the convenience of users of this document and does not constitute an endorsement by ISO of this product. Other equipment may be used if it can be shown to give comparable results.

- rotational frequency of balling unit: $(83 \pm 3) \text{ min}^{-1}$ (r/min);
- rotational frequency of moulder: $(15 \pm 1) \text{ min}^{-1}$ (r/min);
- hook speed: $(1,45 \pm 0,05) \text{ cm/s}$;
- chart speed: $(0,65 \pm 0,01) \text{ cm/s}$;
- force exerted per extensograph unit: $(12,3 \pm 0,3) \text{ mN/EU}$ [$(1,25 \pm 0,03) \text{ gf/EU}$].

Some instruments have a different calibration for force/unit deflection. The procedure specified can be used with such instruments, but it is necessary for the different calibration to be taken into account when comparing the results with instruments calibrated as above.

NOTE An electronic extensograph can be used, see A.5.

6.2 Farinograph,³⁾ connected to a similar thermostat as the extensograph, with the operating characteristics specified in ISO 5530-1, and a **burette** as specified in ISO 5530-1.

6.3 Balance, capable of being read to the nearest $\pm 0,1 \text{ g}$.

6.4 Spatula, made of soft plastic.

6.5 Conical flask, of 250 ml capacity.

7 Sampling

Sampling is not part of the method specified in this International Standard. A recommended sampling method is given in ISO 24333.^[2]

It is important that the laboratory receive a truly representative sample which has not been damaged or changed during transport and storage.

8 Procedure

8.1 Determination of the moisture content of the flour

Determine the moisture content of the flour using the method specified in ISO 712.

8.2 Preparation of apparatus

8.2.1 Turn on the thermostat of the farinograph (6.2) and circulate the water until the required temperatures are reached, prior to using the instrument. Before and during use, check the temperatures of

- the thermostats;
- the mixing bowl of the farinograph, in the hole provided for this purpose; and
- the extensograph cabinet.

All temperatures shall be $(30 \pm 0,2) \text{ }^\circ\text{C}$.

8.2.2 Adjust the arm of the pen of the extensograph so as to obtain zero reading when a cradle with both its clamps plus a 150 g mass ("weight") is placed in position.

3) The Farinograph is the trade name of a product supplied by Brabender. This information is given for the convenience of users of this document and does not constitute an endorsement by ISO of the product named. Equivalent products may be used if they can be shown to lead to the same results.

8.2.3 Pour some water into the trough of each cradle support, and place the supports, cradles, and clamps in the cabinet at least 15 min before use.

8.2.4 Uncouple the mixer of the farinograph from the driving shaft and adjust the position of the counterweight(s) so as to obtain zero deflection of the pointer with the motor running at the specified rotational frequency (see ISO 5530-1:—, 6.1). Switch off the motor and then couple the mixer.

Lubricate the mixer with a drop of water between the back-plate and each of the blades. Check that the deflection of the pointer is within the range (0 ± 5) FU with the mixing blades operating at the specified rotational frequency in the empty, clean bowl. If the deflection exceeds 5 FU, clean the mixer more thoroughly or eliminate other causes of friction.

Adjust the arm of the pen so as to obtain identical readings from the pointer and the recording pen.

Adjust the damper so that, with the motor running, the time required for the pointer to go from 1 000 FU to 100 FU is $(1,0 \pm 0,2)$ s.

8.2.5 Fill the burette of the farinograph, including the tip, with water at a temperature of $(30 \pm 0,5)$ °C.

8.3 Test portion

If necessary, bring the flour to a temperature of (25 ± 5) °C.

Weigh, to the nearest 0,1 g, the equivalent of 300 g of flour having a moisture content of 14 % mass fraction. Let this mass, in grams, be *m*; see ISO 5530-1:—, Table 1, for *m* as a function of moisture content.

Place the flour into the farinograph mixer. Cover the mixer and keep it covered until the end of mixing (8.4.2), except for the shortest possible time when water has to be added and the dough scraped down (see ISO 5530-1:—, A.1.2).

8.4 Preparation of the dough

8.4.1 Place $(6,0 \pm 0,1)$ g of the sodium chloride (5.1) in the conical flask (6.5). Run in approximately 135 ml of water from the burette and dissolve the salt. For flours having a low water absorption, use a smaller volume of water.

8.4.2 Mix in the farinograph mixer at the specified rotational frequency (see ISO 5530-1:—, 6.1) for 1 min or slightly longer. Pour the salt solution (8.4.1) through a funnel into the centre hole of the bottom part of the lid, when a whole-minute line on the recorder paper passes by the pen.

In order to reduce the waiting time, the recorder paper may be moved forward during mixing of the flour. Do not move it backwards.

NOTE 1 With older models of farinograph, whose bowl is covered by a single plate (see ISO 5530-1:—, A.1.2), the salt solution is poured into the right-hand front corner of the bowl.

Add from the burette, into the right-hand front corner of the mixer, a volume of water approximately equal to that expected to obtain a consistency of 500 FU after mixing for 5 min. When the dough forms, scrape down the sides of the bowl with the spatula (6.4), adding any adhering particles to the dough without stopping the mixer. If the consistency is too high, add a little more water to obtain a consistency of 500 FU after mixing for 5 min. Stop mixing and clean the mixer.

NOTE 2 If the first dough meets the requirements of 8.4.3, test pieces from it can be moulded (8.4.4) and stretched (8.5.1).

8.4.3 Make further mixings as necessary, until a dough is obtained:

- to which the salt solution and water have been added within 25 s;
- the consistency of which, measured at the centre of the curve after mixing for 5 min, is between 480 FU and 520 FU; and

— the mixing time, which is indicated by the development time determined by farinograph.

Stop mixing after this time.

8.4.4 Take a support with two cradles from the cabinet of the extensograph (6.1); remove their clamps.

Remove the dough from the mixer. Weigh a $(150 \pm 0,5)$ g test piece. Place it in the balling unit and perform 20 revolutions of the plate. Remove the dough from the balling unit and pass it once through the moulder, ensuring that the test piece enters the back centrally, base first. Roll the test piece off the moulder into the centre of a cradle and clamp it. Set the timer for 45 min. Weigh a second test piece, and ball, mould and clamp it in the same way. Place the support with two cradles and test pieces in the cabinet.

Very sticky doughs may be dusted lightly with rice flour or starch before being put into the moulder.

In the case of doughs showing substantial elastic recovery, the clamps should be held down for a few seconds to ensure that they fix the dough properly.

Clean the farinograph mixer.

8.5 Determination

8.5.1 Exactly 45 min after clamping the first test piece, place the first cradle in the balance arm of the extensograph (6.1); the bridge between the two halves of the cradle shall be on the left-hand side so as not to be touched by the stretching hook when travelling. Adjust the pen to zero force. Immediately start the stretching hook.

Observe the test piece (see 9.4, paragraph 2). After rupture of the piece, remove the cradle.

NOTE In recent models of extensograph, the hook automatically returns to its upper position. With older models it is necessary, by means of a switch, to stop the hook after breaking of the test piece, and to initiate the return to its upper position.

8.5.2 Collect the dough from the cradle and the hook. Repeat the balling and moulding operations as specified in 8.4.4 on this test piece. Reset the timer for 45 min.

8.5.3 Turn the recorder paper back to the same starting position as for the first test piece. Repeat the stretching operation (8.5.1) on the second test piece. Collect the dough from the cradle and the hook. Repeat the balling and moulding operations (8.4.4) on the second test piece.

8.5.4 Repeat the stretching, balling, and moulding operations specified in 8.5.1 to 8.5.3, returning the moulded test pieces to the cabinet. These operations take place after slightly more than 90 min from the end of mixing.

8.5.5 Repeat the operation specified in 8.5.1, stretching both test pieces in turn. This operation takes place after slightly more than 135 min from the end of mixing.

8.5.6 In order to carry out quick and time-saving measurements, another procedure may be suitable. The difference from the standard procedure is in the rest periods. Stretching after 45 min, 90 min and 135 min after mixing are replaced by stretching after 30 min, 60 min and 90 min after mixing. The shape and the size of the curves obtained differ from those of the standard extensograms. When the quick procedure is used, it is necessary to state this in the test report.

9 Expression of results

9.1 General

To facilitate the calculations, a computer may be used. The extensograph has to be modified by adding an electrical output for transferring the data to the computer. With the appropriate software, the computer evaluates the diagram according to 9.2 to 9.5 and documents the diagram and the results.

9.2 Water absorption

Calculate the extensograph water absorption, expressed in millilitres per 100 g of flour at 14 % mass fraction moisture content, as specified in ISO 5530-1:—, 9.1, for the 300 g mixer.

9.3 Resistance to stretching

9.3.1 Maximum resistance

Take as the maximum resistance to stretching, R_m , the mean of the maximum heights of the extensograph curves (see Figure 1) from the two test pieces, provided that the difference between them does not exceed 15 % of their mean value.

Report each of the mean values of R_{m45} , R_{m90} , and R_{m135} to the nearest 5 EU.

9.3.2 Resistance at constant deformation

Some workers prefer to measure the height of the curve at a fixed extension of the test piece, usually corresponding to 50 mm transposition of the recorder paper. The extension is measured from the moment that the hook touches the test piece; i.e. when the force is suddenly different from zero.

Take as the result of the resistance to stretching at constant deformation, R_{50} , the mean of the heights of the extensograph curves after 50 mm transposition of the recorder paper (see Figure 1) from the two test pieces, provided that the difference between them does not exceed 15 % of their mean value.

Report each of the mean values of $R_{50,45}$, $R_{50,90}$ and $R_{50,135}$ to the nearest 5 EU.

Owing to the greater depression of the cradle, a more resistant test piece is extended to a lesser extent at 50 mm transposition of the recorder paper than a less resistant test piece. It is possible, by means of a suitable template, to read the resistances of all test pieces at the same net extension. If such a template is used, it is necessary to mention this in the test report.

9.4 Extensibility, E

The extensibility, E , is the distance travelled by the recorder paper from the moment that the hook touches the test piece until rupture of (one of the strings of) the test pieces. Rupture is indicated on the extensograph curve either by a smooth fall of the curve almost to zero force, or by a sharp break in the curve (see Figure 1).

Beyond the breaking point, the course of the recording depends on the inertia of the lever system and on the time interval between the breaking of the two strings of the test piece. For measurement of the extensibility, the curve is supposed to proceed, from the breaking point, along a circular ordinate line (dashed line in Figure 1) down to zero force. To identify the breaking point on the curve properly, it is necessary to observe the test piece when breaking.

Take as the result of the extensibility the mean distance on the extensograph curves from the two test pieces, provided that the difference between them does not exceed 9 % of their mean value.

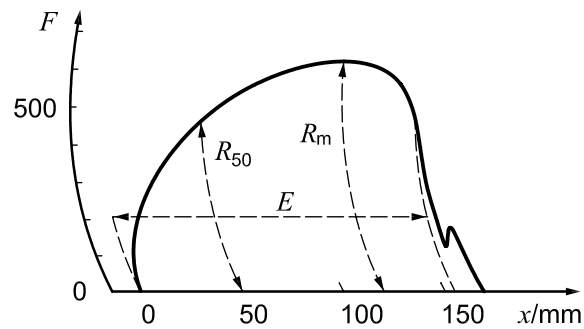
Report each of the mean values of E_{45} , E_{90} and E_{135} to the nearest millimetre.

9.5 Energy

The energy is defined as the area under the recorded curve. The energy describes the work applied when stretching a dough sample. The area is measured by a planimeter and reported in square centimetres.

9.6 Ratio (R/E)

The ratio R/E is the quotient of the resistance R_m or R_{50} and the extensibility. The ratio is an additional factor in the review of the dough behaviour.



Key

- F force
- x time or extension
- E extensibility
- R_m maximum resistance
- R_{50} resistance after 50 mm transposition of the recorder paper

Figure 1 — Representative extensogram showing the commonly measured indices

10 Precision

10.1 Repeatability

The absolute difference between two independent single test results, obtained using the same method on identical test material in the same laboratory by the same operator using the same equipment within a short interval of time, will in not more than 5 % of cases be greater than values given in Table 1

Table 1 — Repeatability data obtained by using extensograph

Characteristic	Repeatability results
Maximum resistance	66,79
Extensibility 135	15,50
Energy 135	14,12
Ratio (R_m/E) 135	0,80
Ratio (R_{50}/E) 135	0,86

10.2 Reproducibility

The absolute difference between two single test results, obtained using the same method on identical test material in different laboratories with different operators using different equipment, will in not more than 5 % of cases be greater than values given in Table 2.

Table 2 — Reproducibility data obtained by using extensograph

Characteristic	Reproducibility results
Maximum resistance	311,67
Extensibility 135	89,02
Energy 135	103,48
Ratio (R_m/E) 135	3,62
Ratio (R_{50}/E) 135	2,27

11 Test report

The test report shall contain at least the following information:

- a) all information necessary for the complete identification of the sample;
- b) the sampling method used, if known;
- c) the test method used, with reference to this part of ISO 5530 (ISO 5530-2:2012);
- d) all operating details not specified in this part of ISO 5530, or regarded as optional, together with details of any incidents which may have influenced the test result(s);
- e) the test result(s) obtained;
- f) if the repeatability has been checked, the final quoted result obtained.

Annex A (informative)

Description of the extensograph

A.1 General description

The extensograph comprises two units:

- a) the extensograph unit itself (A.2);
- b) a thermostat for the circulating water (A.3).

The extensograph is used in conjunction with the farinograph, which also comprises a thermostat (see ISO 5530-1).

A.2 Extensograph unit

A.2.1 General

The extensograph unit is mounted on a heavy cast-iron base plate having four levelling screws, and consists of:

- a) a balling unit or rounder (A.2.2);
- b) a moulder or shaper (A.2.3);
- c) cradles and clamps for holding the test pieces, and cradle supports;
- d) a three-section rest cabinet (A.2.4);
- e) a device for stretching a test piece (A.2.5);
- f) means for recording the resistance to stretching and the extensibility of the test piece in the form of extensograms (A.2.6).

The stretching device and means for recording are illustrated diagrammatically in Figure A.1.

A.2.2 Balling unit

The balling unit consists of a bottomless box with a loaded lid. Beneath the box a flat plate rotates; in its centre, it carries a pin on which the dough is impaled. The rotational frequency of the balling unit shall be $(83 \pm 3) \text{ min}^{-1}$.

Water from the thermostat circulates through the hollow side walls of the box to control its temperature.

Some instruments made before 1965 can have a rotational frequency of 112 min^{-1} . If such an instrument is used, mention this in the test report.

A.2.3 Moulder

The moulder consists of a horizontal roller revolving inside an incomplete cylinder at a rotational frequency of $(15 \pm 1) \text{ min}^{-1}$. The cylinder has a metal plate attached to its inner wall. The dough is thus subjected to a moulding action between the roller and the metal plate.

Water from the thermostat circulates through the hollow incomplete cylinder to control its temperature.

A.2.4 Rest cabinet

The temperature-controlled rest cabinet consists of three sections, each one for one cradle support with two cradles, and each one with a door.

The test pieces, having been balled and moulded, are rested in the cradles on their supports in the rest cabinet. Each of the cradle supports carries two cradles and has a trough containing water to prevent skinning of the test pieces.

A.2.5 Stretching device

The cylindrical test piece, in a cradle, is supported in a horizontal position by two arms attached to one end of a pivotally mounted lever which carries a counterweight at the other end. A hook in contact with the centre of the upper side of the test piece is moved vertically downwards by the action of an electric motor, at a speed of $(1,45 \pm 0,05)$ cm/s, thereby stretching the test piece. Downward movement of the dough hook is continued until the test piece breaks.

The mechanism actuating the stretching hook has automatic limit switches which terminate the movement when the hook reaches either the top or the bottom limit. In recent models of extensograph, the hook, having reached the bottom position, automatically returns to its top position.

The resistance of the dough to stretching results in a downward movement of the lever carrying the cradle with the test piece.

A.2.6 Recorder

Movement of the lever carrying the cradle with the test piece is transmitted by a further system of levers to a pen which is thereby moved over a band of paper, recording the movement in the form of an extensogram.

Movements of the lever system and recorder pen are damped by a piston immersed in oil; the piston is connected to the lever carrying the cradle.

The paper for the recorder is supplied in the form of a roll. It is moved by an electric clock-type motor at a rate of $(0,65 \pm 0,01)$ cm/s. Along its length it bears a printed scale in centimetres. Across its width it bears a circular scale (radius 200 mm) with arbitrary units, running from 0 EU to 1 000 EU.

A.3 Thermostat

The thermostat normally consists of a tank with water, and contains the following parts.

- a) An electric heating element.
- b) A thermo-regulator to control the heating element, capable of maintaining the temperature of the balling unit, moulder and rest cabinet of the extensograph at $(30 \pm 0,2)$ °C. Under adverse conditions, a slightly higher temperature of the water may be necessary; it shall be maintained with the same tolerance.
- c) A thermometer.
- d) A motor-driven pump and stirrer. The pump is connected to the extensograph by means of flexible tubing. It shall have sufficient capacity to maintain the temperature of the rest cabinet at $(30 \pm 0,2)$ °C.
- e) A coil of metal tubing to cool the thermostat bath by a flow of tap water.

It is not recommended that a single thermostat be used for both the farinograph and extensograph. If this is done, however, the two instruments shall be served by separate pumps.

A.4 Calibration of extensograph

To give correct results, the lever system and scale of the extensograph should be adjustable. Mount a back-plate inside the moulder, the curve of which fits those of a special mould. Deviations in the curve of the back-

plate cause deviations in the length and intersection of the dough pieces to be stretched. If there is any doubt about the curvature of the back-plate, its curvature should be checked and/or adjusted by the manufacturer.

To check the balance system for proper functioning, load the system with a known mass. First, place the empty dough holder (200 g) with the two clamps (75 g each) at the end of the arms of the balance system in the same way as during the actual test. To simulate the mass of the dough test piece, suspend an additional mass of 150 g centrally from the holder by a string. The recorder, if properly adjusted, will read 0 EU. With an additional 500 g suspended from the holder, the recorder reads 400 EU; and after a further 500 g mass has been added, the reading rises to 800 EU, i.e.

- 500 g (holder + clamp + 150 g) \equiv 0 EU
- 500 g + 500 g (= 1 000 g) \equiv 400 EU
- 500 g + 500 g + 500 g (= 1 500 g) \equiv 800 EU

When a total mass of 500 g is placed on the lever arm, in the position of the cradle, the lever arm shall be horizontal. Therefore it is recommended that the mass of each combination of cradle and two clamps be checked.

The total mass shall be $(350 \pm 0,5)$ g. It is recommended that each of the cradles and clamps be marked to ensure that each combination of cradle and clamps fits the specified mass.

There is no method for absolute adjustment of farinograph extensograph combinations. It is possible to have the extensograph adjusted by the manufacturer to their standard. With old or worn instruments, this can be impossible. If good agreement between instruments is to be maintained, frequent checks are required.

A.5 Electronic extensograph

A.5.1 Application

The Extensograph®-E (electronic extensograph) measures the stretching properties of wheat flour dough in compliance with this part of ISO 5530 to determine the flour quality and to check for flour treatment with additives, such as ascorbic acid, proteinases or emulsifiers.

The process for measuring the stretching properties is as follows:

- preparation of wheat flour dough in the Farinograph®-E or Farinograph® under defined conditions;
- shaping of the dough sample in the balling unit (homogenizer, rounder) and in the dough roller (moulder);
- proving of the dough in the proving cabinet;
- stretching of the dough in the Extensograph®-E until rupture.

The stretching properties of the dough, in particular the resistance to stretching and the extensibility, characterize the flour quality and, consequently, the baking and processing properties of the corresponding dough. Apart from the flour quality, they also show the influence of additives acting on the gluten structure.

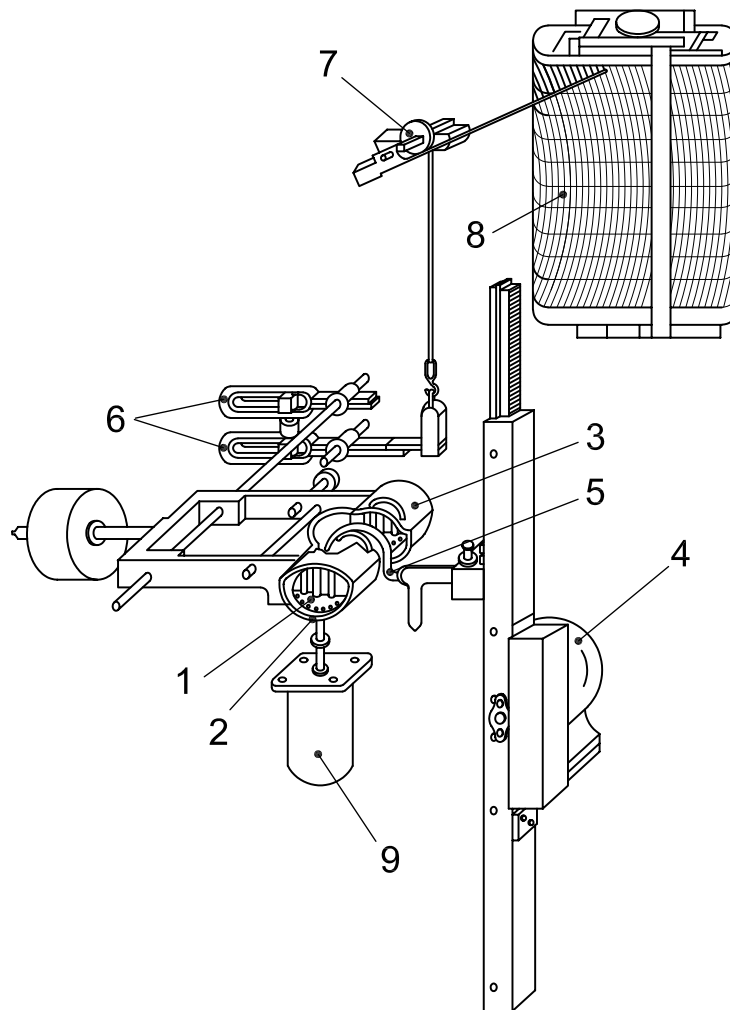
Checks of flour quality and flour treatment with additives ensure a uniform flour quality and provide for optimum dough properties for the respective baking product.

A.5.2 Features and operating principle

The Extensograph consists of the following main components:

- a) balling unit;
- b) dough roll;
- c) proving cabinet with:
 - 1) tray supports,

- 2) trays;
- d) stretching device with:
 - 1) hook,
 - 2) rack,
 - 3) tray holder arms.



Key

1	test piece	4	electric motor	7	scale
2	cradle	5	stretching hook	8	recorder
3	clamp for cradle	6	lever system	9	dash-pot damper

Figure A.1 — Diagram of the stretching device and recorder of the extensograph

Annex B (informative)

Results of interlaboratory tests

Interlaboratory test with extensograph measurements was conducted in 2009 by the Argentinean Institute for Standardization and Certification (IRAM). The values derived from this interlaboratory test may not be applicable to test sample types other than those given.

This interlaboratory test was organized to evaluate the repeatability and reproducibility of the test method specified in this part of ISO 5530. The scope of this method is to determine the rheological characteristics of wheat flour using an extensograph apparatus.

Each participant received a homogenized and standardized sample prepared and packed by Molino Argentino SA [Argentinean Mill]. The samples were distributed and delivered by IRAM. The test samples were sent to 34 national and foreign laboratories, from which results were received from 28. In total, 82 % of laboratories participated actively in this interlaboratory test.

Repeatability and reproducibility values for each analytical parameter were calculated by statistical analysis according to ISO 5725.^[1] This analysis was prepared by Complejo Laboratorios of Bolsa de Comercio de Rosario (Argentina).

Table B.1 — Results of interlaboratory test 2009

Parameter	Average	Robust media	Repeatability standard deviation <i>s_r</i>	Reproducibility standard deviation <i>s_R</i>	Repeatability limit <i>r</i> (2,8 × <i>s_r</i>)	Reproducibility limit <i>R</i> (2,8 × <i>s_R</i>)
Maximum resistance	527,2	524,5	23,9	111,3	66,8	311,7
Extensibility 135	147,1	162,3	5,5	31,8	15,5	89,0
Energy 135	128,8	138,0	5,0	37,0	14,1	103,5
Ratio (<i>R_m/E</i>) 135	3,5	3,5	0,3	1,3	0,8	3,6
Ratio (<i>R₅₀/E</i>) 135	3,0	3,0	0,3	0,8	0,9	2,3

Bibliography

- [1] ISO 5725 (all parts), *Accuracy (trueness and precision) of measurement methods and results*
- [2] ISO 24333, *Cereals and cereal products — Sampling*
- [3] ICC 114, *Method for using the Brabender extensograph*
- [4] NIEMAN, W. *Repeatability and reproducibility of extensograph measurements*. Wageningen: IGMB–TNO, 1992. (Report No. T 92-251.)

British Standards Institution (BSI)

BSI is the national body responsible for preparing British Standards and other standards-related publications, information and services.

BSI is incorporated by Royal Charter. British Standards and other standardization products are published by BSI Standards Limited.

About us

We bring together business, industry, government, consumers, innovators and others to shape their combined experience and expertise into standards-based solutions.

The knowledge embodied in our standards has been carefully assembled in a dependable format and refined through our open consultation process. Organizations of all sizes and across all sectors choose standards to help them achieve their goals.

Information on standards

We can provide you with the knowledge that your organization needs to succeed. Find out more about British Standards by visiting our website at bsigroup.com/standards or contacting our Customer Services team or Knowledge Centre.

Buying standards

You can buy and download PDF versions of BSI publications, including British and adopted European and international standards, through our website at bsigroup.com/shop, where hard copies can also be purchased.

If you need international and foreign standards from other Standards Development Organizations, hard copies can be ordered from our Customer Services team.

Subscriptions

Our range of subscription services are designed to make using standards easier for you. For further information on our subscription products go to bsigroup.com/subscriptions.

With **British Standards Online (BSOL)** you'll have instant access to over 55,000 British and adopted European and international standards from your desktop. It's available 24/7 and is refreshed daily so you'll always be up to date.

You can keep in touch with standards developments and receive substantial discounts on the purchase price of standards, both in single copy and subscription format, by becoming a **BSI Subscribing Member**.

PLUS is an updating service exclusive to BSI Subscribing Members. You will automatically receive the latest hard copy of your standards when they're revised or replaced.

To find out more about becoming a BSI Subscribing Member and the benefits of membership, please visit bsigroup.com/shop.

With a **Multi-User Network Licence (MUNL)** you are able to host standards publications on your intranet. Licences can cover as few or as many users as you wish. With updates supplied as soon as they're available, you can be sure your documentation is current. For further information, email bsmusales@bsigroup.com.

BSI Group Headquarters

389 Chiswick High Road London W4 4AL UK

Revisions

Our British Standards and other publications are updated by amendment or revision.

We continually improve the quality of our products and services to benefit your business. If you find an inaccuracy or ambiguity within a British Standard or other BSI publication please inform the Knowledge Centre.

Copyright

All the data, software and documentation set out in all British Standards and other BSI publications are the property of and copyrighted by BSI, or some person or entity that owns copyright in the information used (such as the international standardization bodies) and has formally licensed such information to BSI for commercial publication and use. Except as permitted under the Copyright, Designs and Patents Act 1988 no extract may be reproduced, stored in a retrieval system or transmitted in any form or by any means – electronic, photocopying, recording or otherwise – without prior written permission from BSI. Details and advice can be obtained from the Copyright & Licensing Department.

Useful Contacts:

Customer Services

Tel: +44 845 086 9001

Email (orders): orders@bsigroup.com

Email (enquiries): cservices@bsigroup.com

Subscriptions

Tel: +44 845 086 9001

Email: subscriptions@bsigroup.com

Knowledge Centre

Tel: +44 20 8996 7004

Email: knowledgecentre@bsigroup.com

Copyright & Licensing

Tel: +44 20 8996 7070

Email: copyright@bsigroup.com



...making excellence a habit.™