

BS EN ISO 5178:2011



BSI Standards Publication

**Destructive tests on welds
in metallic materials —
Longitudinal tensile test on
weld metal in fusion welded
joints (ISO 5178:2001)**

bsi.

...making excellence a habit.™

National foreword

This British Standard is the UK implementation of EN ISO 5178:2011. It is identical to ISO 5178:2001. It supersedes BS EN 876:1995 which is withdrawn.

The UK participation in its preparation was entrusted to Technical Committee WEE/-/1, Briefing committee for welding.

A list of organizations represented on this committee can be obtained on request to its secretary.

This publication does not purport to include all the necessary provisions of a contract. Users are responsible for its correct application.

© BSI 2011

ISBN 978 0 580 72100 7

ICS 25.160.40

Compliance with a British Standard cannot confer immunity from legal obligations.

This British Standard was published under the authority of the Standards Policy and Strategy Committee on 31 March 2011.

Amendments issued since publication

Date	Text affected
------	---------------

English Version

Destructive tests on welds in metallic materials - Longitudinal
tensile test on weld metal in fusion welded joints (ISO
5178:2001)

Essais destructifs des soudures sur matériaux métalliques -
Essai de traction longitudinale du métal fondu des
assemblages soudés par fusion (ISO 5178:2001)

Zerstörende Prüfung von Schweißverbindungen an
metallischen Werkstoffen - Längszugversuch an
Schweißgut in Schmelzschweißverbindungen (ISO
5178:2001)

This European Standard was approved by CEN on 13 February 2011.

CEN members are bound to comply with the CEN/CENELEC Internal Regulations which stipulate the conditions for giving this European Standard the status of a national standard without any alteration. Up-to-date lists and bibliographical references concerning such national standards may be obtained on application to the CEN-CENELEC Management Centre or to any CEN member.

This European Standard exists in three official versions (English, French, German). A version in any other language made by translation under the responsibility of a CEN member into its own language and notified to the CEN-CENELEC Management Centre has the same status as the official versions.

CEN members are the national standards bodies of Austria, Belgium, Bulgaria, Croatia, Cyprus, Czech Republic, Denmark, Estonia, Finland, France, Germany, Greece, Hungary, Iceland, Ireland, Italy, Latvia, Lithuania, Luxembourg, Malta, Netherlands, Norway, Poland, Portugal, Romania, Slovakia, Slovenia, Spain, Sweden, Switzerland and United Kingdom.



EUROPEAN COMMITTEE FOR STANDARDIZATION
COMITÉ EUROPÉEN DE NORMALISATION
EUROPÄISCHES KOMITEE FÜR NORMUNG

Management Centre: Avenue Marnix 17, B-1000 Brussels

Foreword

The text of ISO 5178:2001 has been prepared by Technical Committee ISO/TC 44 "Welding and allied processes" of the International Organization for Standardization (ISO) and has been taken over as EN ISO 5178:2011 by Technical Committee CEN/TC 121 "Welding" the secretariat of which is held by DIN.

This European Standard shall be given the status of a national standard, either by publication of an identical text or by endorsement, at the latest by September 2011, and conflicting national standards shall be withdrawn at the latest by September 2011.

Attention is drawn to the possibility that some of the elements of this document may be the subject of patent rights. CEN [and/or CENELEC] shall not be held responsible for identifying any or all such patent rights.

This document supersedes EN 876:1995.

According to the CEN/CENELEC Internal Regulations, the national standards organizations of the following countries are bound to implement this European Standard: Austria, Belgium, Bulgaria, Croatia, Cyprus, Czech Republic, Denmark, Estonia, Finland, France, Germany, Greece, Hungary, Iceland, Ireland, Italy, Latvia, Lithuania, Luxembourg, Malta, Netherlands, Norway, Poland, Portugal, Romania, Slovakia, Slovenia, Spain, Sweden, Switzerland and the United Kingdom.

Endorsement notice

The text of ISO 5178:2001 has been approved by CEN as a EN ISO 5178:2011 without any modification.

Contents

Page

Foreword.....	iv
1 Scope	1
2 Normative reference	1
3 Principle.....	1
4 Symbols and abbreviated terms	1
5 Removal of test specimens	2
5.1 Location	2
5.2 Marking	2
5.3 Heat treatment and/or ageing	2
5.4 Extraction	2
5.5 Machining of test specimens.....	3
5.6 Dimensions.....	4
5.7 Surface quality	4
6 Conditions of testing.....	4
7 Test results.....	5
7.1 General.....	5
7.2 Examination of fracture surfaces.....	5
8 Test report	5
Annex A (informative) Example of a test report.....	6

Foreword

ISO (the International Organization for Standardization) is a worldwide federation of national standards bodies (ISO member bodies). The work of preparing International Standards is normally carried out through ISO technical committees. Each member body interested in a subject for which a technical committee has been established has the right to be represented on that committee. International organizations, governmental and non-governmental, in liaison with ISO, also take part in the work. ISO collaborates closely with the International Electrotechnical Commission (IEC) on all matters of electrotechnical standardization.

International Standards are drafted in accordance with the rules given in the ISO/IEC Directives, Part 3.

Draft International Standards adopted by the technical committees are circulated to the member bodies for voting. Publication as an International Standard requires approval by at least 75 % of the member bodies casting a vote.

Attention is drawn to the possibility that some of the elements of this International Standard may be the subject of patent rights. ISO shall not be held responsible for identifying any or all such patent rights.

International Standard ISO 5178 was prepared by Technical Committee ISO/TC 44, *Welding and allied processes*, Subcommittee SC 5, *Testing and inspection of welds*.

Annex A of this International Standard is for information only.

Destructive tests on welds in metallic materials — Longitudinal tensile test on weld metal in fusion welded joints

1 Scope

This International Standard specifies the sizes of test specimens and the test procedure for carrying out longitudinal tensile tests on cylindrical test specimens in order to determine the mechanical properties of weld metal in a fusion welded joint.

This International Standard applies to metallic materials in all forms of product with joints made by any fusion welding process, having joint sizes that are sufficient to obtain cylindrical test specimens with dimensions in accordance with ISO 6892.

Unless specified otherwise for specific points in this International Standard, the general principles of ISO 6892 apply.

2 Normative reference

The following normative document contains provisions which, through reference in this text, constitute provisions of this International Standard. For dated references, subsequent amendments to, or revisions of, this publications do not apply. However, parties to agreements based on this International Standard are encouraged to investigate the possibility of applying the most recent edition of the normative document indicated below. For undated references, the latest edition of the normative document referred to applies. Members of ISO and IEC maintain registers of currently valid International Standards.

ISO 6892, *Metallic materials — Tensile testing at ambient temperature.*

3 Principle

An increasing tensile load is continuously applied until rupture occurs in a cylindrical test specimen taken longitudinally from the weld metal in a welded joint.

Unless otherwise specified, the test shall be carried out at ambient temperature (23 ± 5) °C.

4 Symbols and abbreviated terms

The symbols and abbreviated terms to be used for the longitudinal tensile tests are specified in ISO 6892.

5 Removal of test specimens

5.1 Location

The test specimen shall be taken longitudinally from the welded joint of the manufactured product or from the test piece. After machining, the parallel length of the test specimen shall consist only of weld metal (see Figures 1 and 2).

To enable correct positioning of the test specimen in the joint, the joint cross-section at both ends of the test specimen can be macroetched.

5.2 Marking

Each test piece shall be marked in order to identify its exact location in the manufactured product or in the joint from which it has been removed.

Each test specimen shall be marked in order to identify its exact location in the test piece from which it has been taken.

When removed from the test piece, each test specimen shall be marked.

5.3 Heat treatment and/or ageing

No heat treatment shall be applied to the welded joint or to the test specimen unless it is specified or permitted by the relevant application standard dealing with the welded joint to be tested. Details of any heat treatment shall be recorded in the test report. If natural ageing of aluminium alloys takes place, the time between welding and testing shall be recorded.

NOTE The presence of hydrogen in ferrous weld metals may adversely affect the test results and suitable hydrogen release treatment may be necessary.

5.4 Extraction

5.4.1 General

The mechanical or thermal processes used to extract the test specimen shall not change the properties of the test specimen in any way.

5.4.2 Steel

Shearing is excluded for thicknesses > 8 mm. If thermal cutting or other cutting methods which could affect the cut surfaces are used to cut the test specimen from the welded plate, or from the test piece, the cuts shall be made at a distance ≥ 8 mm from the surfaces of the final parallel length of the test specimen. Thermal cutting shall not be used parallel to the original surface of the welded plate or of the test piece.

5.4.3 Other metallic materials

Shearing and thermal cutting are excluded and only machining (e.g. sawing and turning) shall be used.

5.5 Machining of test specimens

5.5.1 Location

Unless specified otherwise in the particular application standard dealing with the welded joint under examination, the test specimens shall be taken from the centre of the weld metal as shown in Figure 1 and the cross-section as shown in Figure 2. In the case where the test specimen is not taken from mid-thickness, the distance from the surfaces, t_1 , shall be recorded [(see Figures 2 a) and b)]. In the case of very thick or double-sided welded joints, more than one test specimen may be taken at different locations through the thickness [(see Figure 2 c)], in which case the distances, t_1 and t_2 , of each test specimen in the joint cross-section shall be recorded.

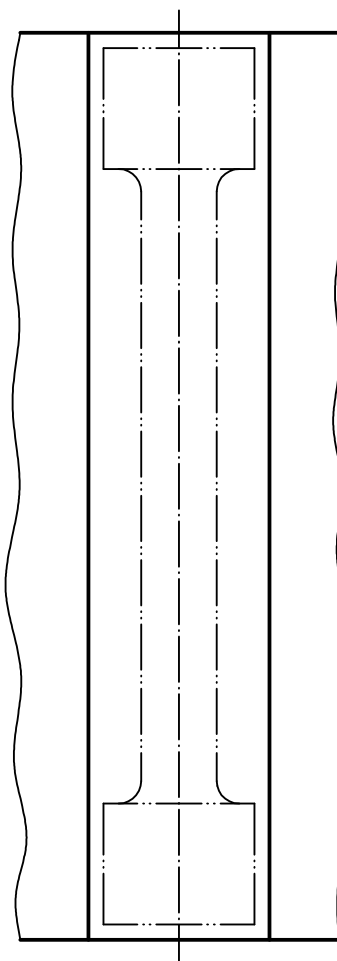
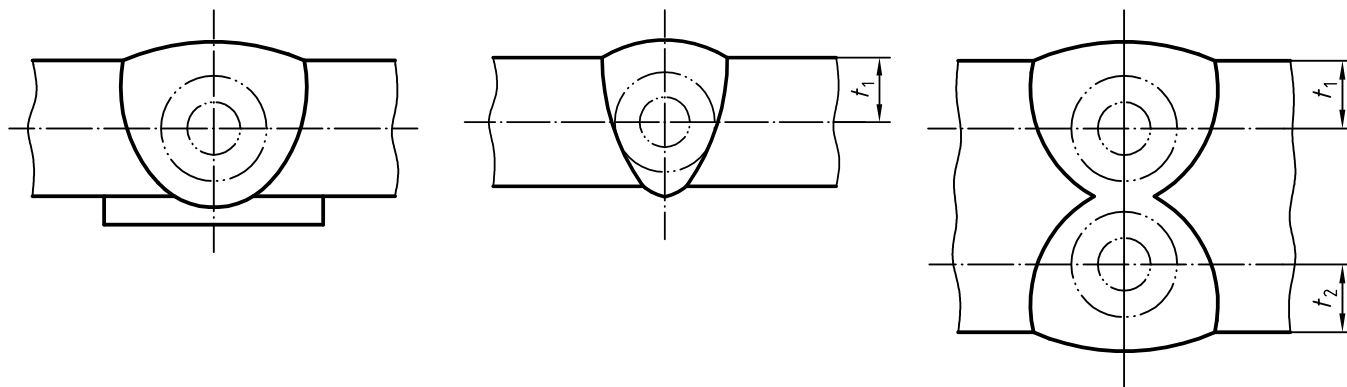


Figure 1 — Examples of location of test specimens — Longitudinal plane section



a) All-weld metal test specimen for welding consumable classification

b) Test specimen from a joint welded from one side only

c) Test specimen from a joint welded from both sides

Figure 2 — Examples of location of test specimens — Cross section

5.6 Dimensions

Each test specimen shall have a circular cross-section, and its dimensions, expressed as functions of the diameter d of the parallel length shall conform to ISO 6892.

It shall have a normal diameter d of 10 mm. If this is not possible, the diameter shall be as large as possible but not less than 4 mm. The actual size shall be recorded in the test report.

The gripped ends of the test specimens shall be compatible with the tensile testing machine used.

5.7 Surface quality

The tolerances specified in ISO 6892 shall apply.

Strain-hardening or excessive heating of the material shall be avoided.

6 Conditions of testing

The test specimen shall be loaded gradually and continuously in accordance with ISO 6892.

7 Test results

7.1 General

The test results shall be determined in accordance with ISO 6892.

7.2 Examination of fracture surfaces

After rupture of the test specimen, the fracture surfaces shall be examined and the existence of any imperfections that may have adversely affected the test shall be recorded, including their type, size and quantity. If fish eyes are present, they shall be recorded and only their central regions shall be considered as imperfections.

8 Test report

The test report shall include the following information in addition to that given in ISO 6892:

- a) reference to this International Standard, i.e. ISO 5178;
- b) location of test specimen, sketch if required (see Figures 1 and 2);
- c) test temperature, if different from the ambient temperature;
- d) type and dimensions of imperfections observed;
- e) the diameter d .

An example of a typical test report is given in annex A.

Annex A
(informative)

Example of a test report

No.

According to WPS

According to test result "tensile test"

test result ""

Manufacturer:

Purpose of the examination:

Form of product:

Parent metal:

Filler metal:

Table A.1 — Longitudinal tensile test in accordance with ISO 5178

Test specimen No./position	Dimension/ diameter mm	F_p N	F_m N	R_p N/mm ²	R_m N/mm ²	L_0 mm	A %	Z %	Test tem- perature °C	Remark e.g. fracture appearance

Examiner or test body:
.....
(name, date and signature)

Certified by:
.....
(name, date and signature)

British Standards Institution (BSI)

BSI is the national body responsible for preparing British Standards and other standards-related publications, information and services.

BSI is incorporated by Royal Charter. British Standards and other standardization products are published by BSI Standards Limited.

About us

We bring together business, industry, government, consumers, innovators and others to shape their combined experience and expertise into standards-based solutions.

The knowledge embodied in our standards has been carefully assembled in a dependable format and refined through our open consultation process. Organizations of all sizes and across all sectors choose standards to help them achieve their goals.

Information on standards

We can provide you with the knowledge that your organization needs to succeed. Find out more about British Standards by visiting our website at bsigroup.com/standards or contacting our Customer Services team or Knowledge Centre.

Buying standards

You can buy and download PDF versions of BSI publications, including British and adopted European and international standards, through our website at bsigroup.com/shop, where hard copies can also be purchased.

If you need international and foreign standards from other Standards Development Organizations, hard copies can be ordered from our Customer Services team.

Subscriptions

Our range of subscription services are designed to make using standards easier for you. For further information on our subscription products go to bsigroup.com/subscriptions.

With **British Standards Online (BSOL)** you'll have instant access to over 55,000 British and adopted European and international standards from your desktop. It's available 24/7 and is refreshed daily so you'll always be up to date.

You can keep in touch with standards developments and receive substantial discounts on the purchase price of standards, both in single copy and subscription format, by becoming a **BSI Subscribing Member**.

PLUS is an updating service exclusive to BSI Subscribing Members. You will automatically receive the latest hard copy of your standards when they're revised or replaced.

To find out more about becoming a BSI Subscribing Member and the benefits of membership, please visit bsigroup.com/shop.

With a **Multi-User Network Licence (MUNL)** you are able to host standards publications on your intranet. Licences can cover as few or as many users as you wish. With updates supplied as soon as they're available, you can be sure your documentation is current. For further information, email bsmusales@bsigroup.com.

BSI Group Headquarters

389 Chiswick High Road London W4 4AL UK

Revisions

Our British Standards and other publications are updated by amendment or revision.

We continually improve the quality of our products and services to benefit your business. If you find an inaccuracy or ambiguity within a British Standard or other BSI publication please inform the Knowledge Centre.

Copyright

All the data, software and documentation set out in all British Standards and other BSI publications are the property of and copyrighted by BSI, or some person or entity that owns copyright in the information used (such as the international standardization bodies) and has formally licensed such information to BSI for commercial publication and use. Except as permitted under the Copyright, Designs and Patents Act 1988 no extract may be reproduced, stored in a retrieval system or transmitted in any form or by any means – electronic, photocopying, recording or otherwise – without prior written permission from BSI. Details and advice can be obtained from the Copyright & Licensing Department.

Useful Contacts:

Customer Services

Tel: +44 845 086 9001

Email (orders): orders@bsigroup.com

Email (enquiries): cservices@bsigroup.com

Subscriptions

Tel: +44 845 086 9001

Email: subscriptions@bsigroup.com

Knowledge Centre

Tel: +44 20 8996 7004

Email: knowledgecentre@bsigroup.com

Copyright & Licensing

Tel: +44 20 8996 7070

Email: copyright@bsigroup.com



...making excellence a habit.™