

BS EN ISO 4492:2013



BSI Standards Publication

**Metallic powders, excluding
powders for hardmetals —
Determination of dimensional
changes associated with
compacting and sintering (ISO
4492:2013)**

bsi.

...making excellence a habit.™

National foreword

This British Standard is the UK implementation of EN ISO 4492:2013. It supersedes BS EN 24492:1993 which is withdrawn.

The UK participation in its preparation was entrusted to Technical Committee ISE/65, Sintered metal components.

A list of organizations represented on this committee can be obtained on request to its secretary.

This publication does not purport to include all the necessary provisions of a contract. Users are responsible for its correct application.

© The British Standards Institution 2013. Published by BSI Standards Limited 2013

ISBN 978 0 580 78919 9

ICS 77.160

Compliance with a British Standard cannot confer immunity from legal obligations.

This British Standard was published under the authority of the Standards Policy and Strategy Committee on 31 March 2013.

Amendments issued since publication

Date	Text affected
------	---------------

English Version

Metallic powders, excluding powders for hardmetals - Determination of dimensional changes associated with compacting and sintering (ISO 4492:2013)

Poudres métalliques à l'exclusion des poudres pour
métaux-durs - Détermination de changements
dimensionnels liés à la compression et au frittage (ISO
4492:2013)

Metallpulver, mit Ausnahme von Hartmetallpulvern -
Ermittlung der Maßänderungen beim Pressen und Sintern
(ISO 4492:2013)

This European Standard was approved by CEN on 26 February 2013.

CEN members are bound to comply with the CEN/CENELEC Internal Regulations which stipulate the conditions for giving this European Standard the status of a national standard without any alteration. Up-to-date lists and bibliographical references concerning such national standards may be obtained on application to the CEN-CENELEC Management Centre or to any CEN member.

This European Standard exists in three official versions (English, French, German). A version in any other language made by translation under the responsibility of a CEN member into its own language and notified to the CEN-CENELEC Management Centre has the same status as the official versions.

CEN members are the national standards bodies of Austria, Belgium, Bulgaria, Croatia, Cyprus, Czech Republic, Denmark, Estonia, Finland, Former Yugoslav Republic of Macedonia, France, Germany, Greece, Hungary, Iceland, Ireland, Italy, Latvia, Lithuania, Luxembourg, Malta, Netherlands, Norway, Poland, Portugal, Romania, Slovakia, Slovenia, Spain, Sweden, Switzerland, Turkey and United Kingdom.



EUROPEAN COMMITTEE FOR STANDARDIZATION
COMITÉ EUROPÉEN DE NORMALISATION
EUROPÄISCHES KOMITEE FÜR NORMUNG

Management Centre: Avenue Marnix 17, B-1000 Brussels

Foreword

This document (EN ISO 4492:2013) has been prepared by Technical Committee ISO/TC 119 "Powder metallurgy".

This European Standard shall be given the status of a national standard, either by publication of an identical text or by endorsement, at the latest by September 2013, and conflicting national standards shall be withdrawn at the latest by September 2013.

Attention is drawn to the possibility that some of the elements of this document may be the subject of patent rights. CEN [and/or CENELEC] shall not be held responsible for identifying any or all such patent rights.

This document supersedes EN 24492:1993.

According to the CEN-CENELEC Internal Regulations, the national standards organizations of the following countries are bound to implement this European Standard: Austria, Belgium, Bulgaria, Croatia, Cyprus, Czech Republic, Denmark, Estonia, Finland, Former Yugoslav Republic of Macedonia, France, Germany, Greece, Hungary, Iceland, Ireland, Italy, Latvia, Lithuania, Luxembourg, Malta, Netherlands, Norway, Poland, Portugal, Romania, Slovakia, Slovenia, Spain, Sweden, Switzerland, Turkey and the United Kingdom.

Endorsement notice

The text of ISO 4492:2013 has been approved by CEN as EN ISO 4492:2013 without any modification.

Contents

	Page
Foreword	iv
1 Scope	1
2 Normative references	1
3 Principle	1
4 Test parameters	1
5 Symbols and désignations	2
6 Apparatus	2
7 Sampling	2
8 Procedure	2
9 Expression of results	3
10 Test report	3
Annex A (informative) Information on dimensional change behaviour	8

Foreword

ISO (the International Organization for Standardization) is a worldwide federation of national standards bodies (ISO member bodies). The work of preparing International Standards is normally carried out through ISO technical committees. Each member body interested in a subject for which a technical committee has been established has the right to be represented on that committee. International organizations, governmental and non-governmental, in liaison with ISO, also take part in the work. ISO collaborates closely with the International Electrotechnical Commission (IEC) on all matters of electrotechnical standardization.

International Standards are drafted in accordance with the rules given in the ISO/IEC Directives, Part 2.

The main task of technical committees is to prepare International Standards. Draft International Standards adopted by the technical committees are circulated to the member bodies for voting. Publication as an International Standard requires approval by at least 75 % of the member bodies casting a vote.

Attention is drawn to the possibility that some of the elements of this document may be the subject of patent rights. ISO shall not be held responsible for identifying any or all such patent rights.

ISO 4492 was prepared by Technical Committee ISO/TC 119, *Powder metallurgy*, Subcommittee SC 2, *Sampling and testing methods for powders (including powders for hardmetals)*.

This third edition cancels and replaces the second edition (ISO 4492:1985), of which it constitutes a minor revision.

Metallic powders, excluding powders for hardmetals — Determination of dimensional changes associated with compacting and sintering

1 Scope

This International Standard specifies a method by which the dimensional changes associated with compacting and sintering of metallic powders are compared with those of a reference powder when processed under similar conditions. (See [Clause 4](#).)

The method applies to the determination of three types of dimensional changes involved with the processing of metallic powders, excluding powders for hardmetals.

2 Normative references

The following referenced documents are indispensable for the application of this document. For dated references, only the edition cited applies. For undated references, the latest edition of the referenced document (including any amendments) applies.

ISO 2740, *Sintered metal materials, excluding hardmetals — Tensile test pieces*

ISO 3927, *Metallic powders, excluding powders for hardmetals — Determination of compressibility in uniaxial compression*

3 Principle

Compaction of a metallic powder or powder mix with admixed lubricant was used to produce a test piece that was sintered under controlled conditions. Depending upon the particular dimensional change required, measurement of the dimension of the uploaded die cavity, the green compact, and/or the sintered test piece is calculated. The algebraic difference between these various measurements is calculated as a percentage of the dimension of the die cavity or the green compact. (See [Clause 9](#).)

Standard test pieces made from a reference lot of powder are processed together with the sample under test and the dimensional changes of the two powders are reported.

4 Test parameters

The reference powder shall be chosen by agreement between the supplier and user and shall have a composition and properties as close as possible to those of the powder to be tested.

The following three types of dimensional changes are dealt with in this International Standard:

4.1 From die size to green size (spring back): The increase in dimensions of a compact, measured at right angles to the direction of pressing, after being ejected from the die.

4.2 From green size to sintered size (sintered dimensional change): The change in dimensions of an object that occurs as a result of sintering.

4.3 From die size to sintered size (total dimensional change).

5 Symbols and désignations

Table 1 — Symbols

Symbol	Designation	Unit
d_D	Test dimension of unloaded die	mm
d_G	Test dimension of green compact	mm
d_S	Test dimension of sintered compact	mm
Δd_{DG}	Spring back	% (+)
Δd_{GS}	Sintered dimensional change	% (+ or -)
Δd_{DS}	Total dimensional change	% (+ or -)

6 Apparatus

6.1 Tools set, that will produce cylindrical (see [Figure 1](#)), rectangular (see [Figure 2](#)) or tensile test pieces (in accordance with ISO 2740), or test pieces similar to the actual components for which the powder is required.

6.2 Press, capable of applying the pressures necessary to achieve the required density or required compacting pressure. See [Figure 3](#).

6.3 Balance, capable of weighing at least 100 g to an accuracy of $\pm 0,01$ g.

6.4 Micrometer, or other suitable measuring device for measuring the dimensions of the compacts and the die to an accuracy of $\pm 0,005$ mm.

6.5 Sintering furnace, capable of producing sintering conditions (time-temperature curve and atmosphere) as close as possible to those used in industry for the type of material to be tested.

7 Sampling

Representative quantities of both the test and the reference powders sufficient to give at least three compacts shall be taken.

8 Procedure

8.1 The test powder and the reference powder shall be mixed under the same conditions with the same mass of additives, including lubricant, each taken from the same batch, to produce the composition of the sintered components for which the powder is required.

A test powder supplied ready for pressing shall be tested in the as-received condition.

To avoid the possibility of distortion during sintering, it is recommended that the test pieces should not be less than 5 mm thick.

8.2 Measure, to the nearest 0,005 mm, the test dimension (diameter or length) of the die in the unloaded condition and record the value d_D obtained.

8.3 Press, at the agreed density or agreed compacting pressure, at least three compacts from the test and reference powders prepared as in [8.1](#).

8.4 Measure, to the nearest 0,005 mm, the test dimension of the green compact and record the value d_G obtained.

8.5 Sinter the test and reference compacts adjacent to each other under the conditions of time, temperature, and atmosphere, which simulate production conditions to be used for the sintered components for which the test powder is required.

NOTE The support used for the test pieces to prevent distortion (i.e. ceramic plate or furnace belt), the rate of heat-up, the atmosphere, and the cooling rate may affect the dimensional change being measured and should be consistent.

8.6 After cooling to room temperature, measure, to the nearest 0,005 mm, the test dimension of the sintered test and reference compacts and record the value d_S obtained, ensuring that the dimensions before and after sintering are taken from the same position on the compacts.

9 Expression of results

9.1 The dimensional changes, expressed as percentages, are given by the following formulae:

9.1.1 Green dimensional change (spring back)

$$\Delta d_{DG} = \frac{d_G - d_D}{d_D} \times 100$$

9.1.2 Sintered dimensional change (positive or negative)

$$\Delta d_{GS} = \frac{d_S - d_G}{d_G} \times 100$$

9.1.3 Total dimensional change (positive or negative)

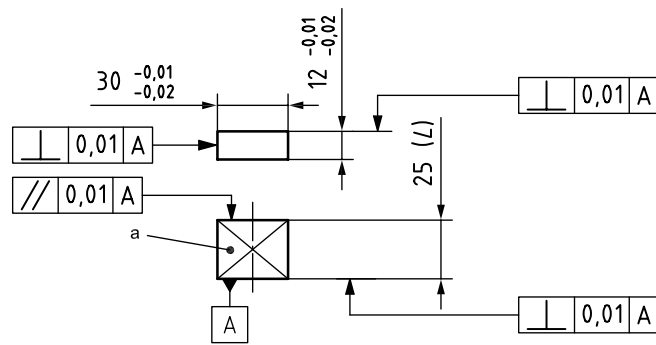
$$\Delta d_{DS} = \frac{d_S - d_D}{d_D} \times 100$$

9.2 Report the dimensional changes for both the test and reference powders as the average of at least three determinations, rounded to the nearest 0,01 %.

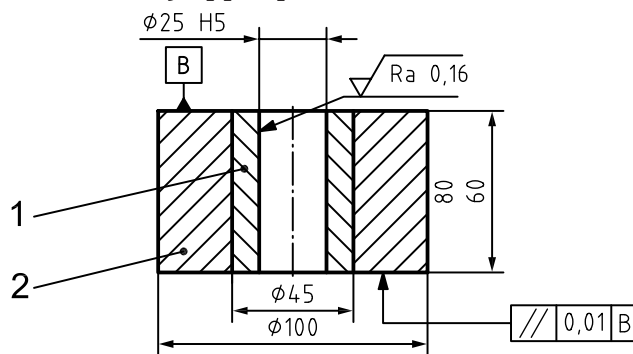
10 Test report

The test report shall include the following information:

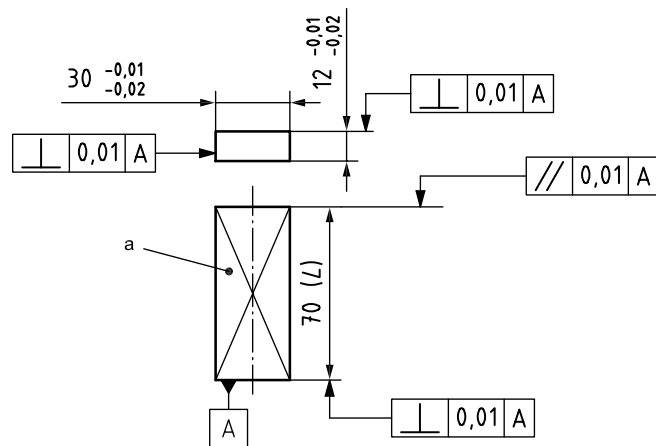
- a) a reference to this International Standard;
- b) all details necessary for identification of the test sample;
- c) all details necessary for identification of the reference powder;
- d) the type of test piece, and its dimensions before sintering;
- e) the density of the green compact or if the compacts were pressed to a required compacting pressure;
- f) sintering details;
- g) the result obtained;
- h) all operations not specified by this International Standard, or regarded as optional;
- i) details of any occurrence which may have affected the result.



a) Upper punch, $L = H - 10$



b) Die, $H = 60$ to 80

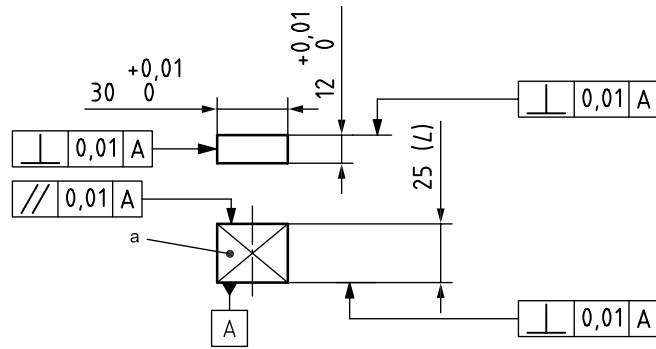


c) Lower punch, $L = H + 35$

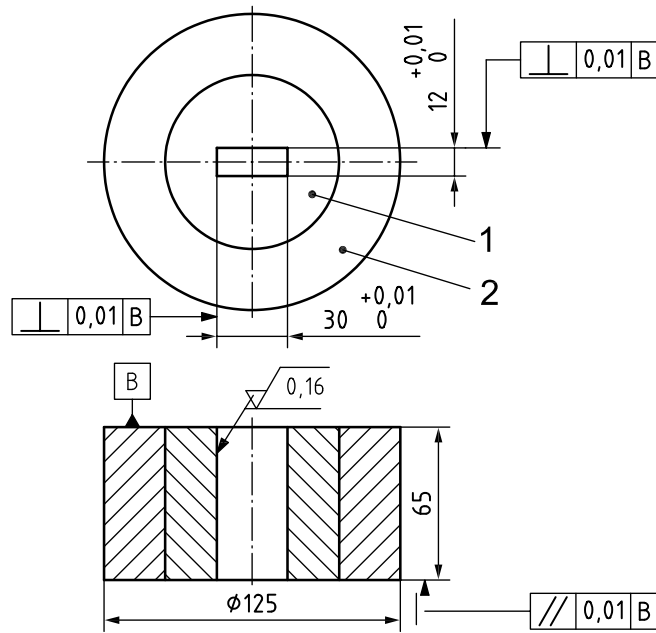
Key

- 1 cemented carbide
- 2 shrink ring
- H height of tool die

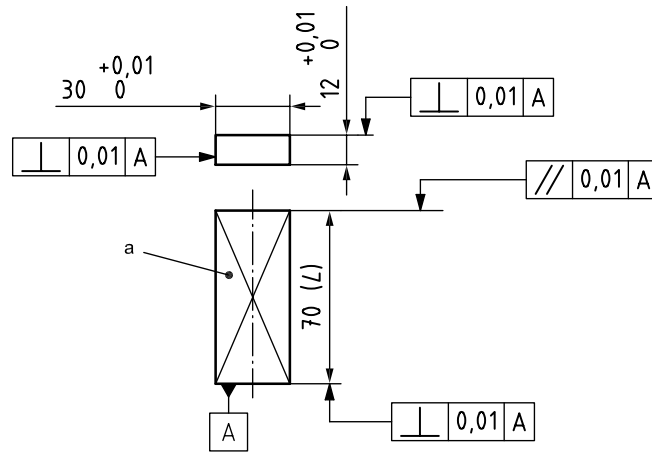
Figure 1 — Example of tooling to produce a cylindrical test piece



a) Upper punch, $L = 25$



b) Die

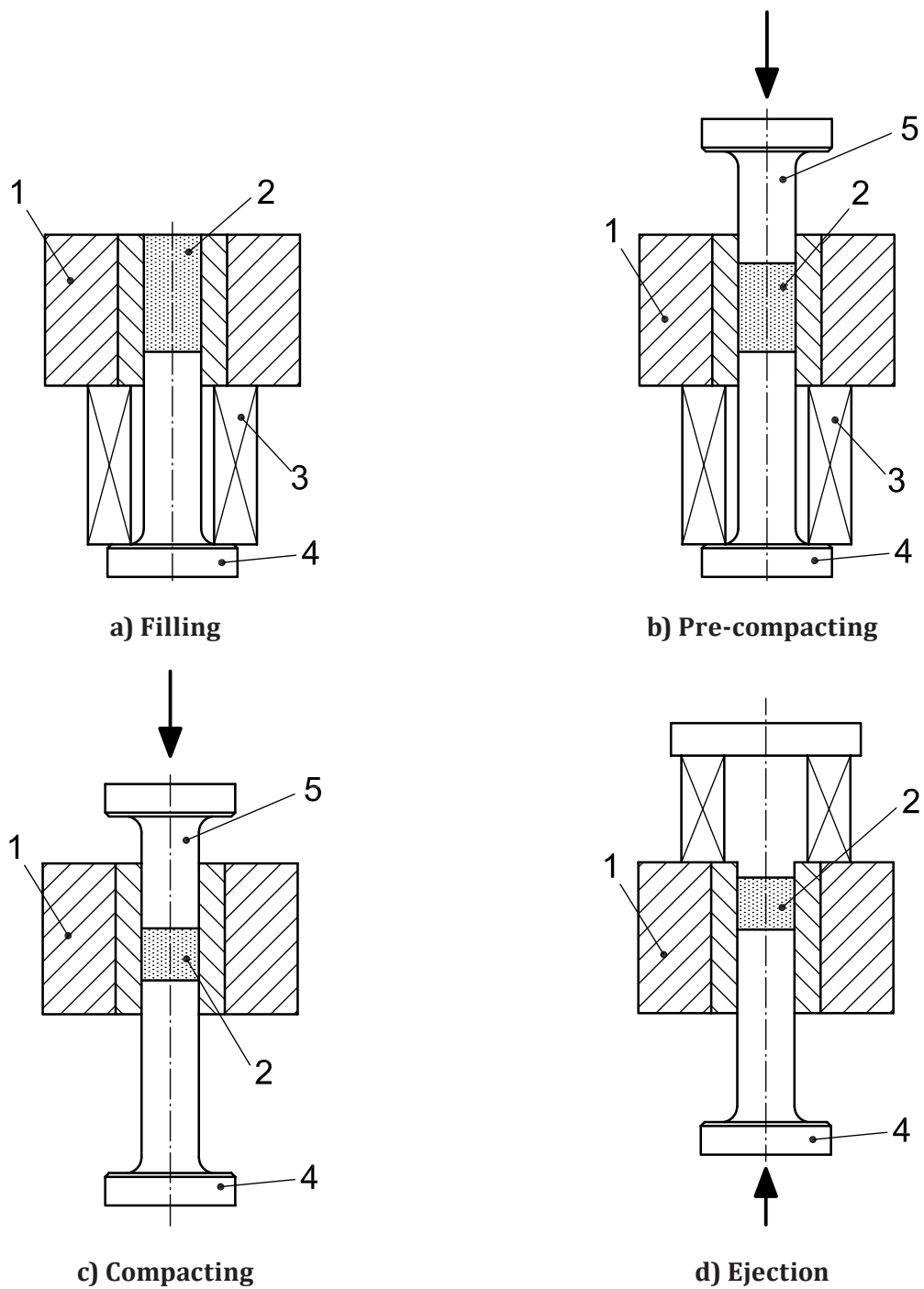


c) Lower punch, $L = 70$

Key

- 1 cemented carbide
- 2 shrink ring
- a steel HRC 60 to 62

Figure 2 — Example of tooling to produce a rectangular test piece



Key

- 1 tool die
- 2 sample powder
- 3 spacer
- 4 lower punch
- 5 upper punch

Figure 3 — Procedure of compacting and ejection

Annex A **(informative)**

Information on dimensional change behaviour

The inclusion of information on dimensional change behaviour in technical literature, which is supplied by powder producers regarding various properties of their products, is of great value to the powder-consuming industry. It is recommended that such data be given with reference to the dimensional change behaviour of well-established grades of powder after testing, in accordance with this International Standard.

British Standards Institution (BSI)

BSI is the national body responsible for preparing British Standards and other standards-related publications, information and services.

BSI is incorporated by Royal Charter. British Standards and other standardization products are published by BSI Standards Limited.

About us

We bring together business, industry, government, consumers, innovators and others to shape their combined experience and expertise into standards-based solutions.

The knowledge embodied in our standards has been carefully assembled in a dependable format and refined through our open consultation process. Organizations of all sizes and across all sectors choose standards to help them achieve their goals.

Information on standards

We can provide you with the knowledge that your organization needs to succeed. Find out more about British Standards by visiting our website at bsigroup.com/standards or contacting our Customer Services team or Knowledge Centre.

Buying standards

You can buy and download PDF versions of BSI publications, including British and adopted European and international standards, through our website at bsigroup.com/shop, where hard copies can also be purchased.

If you need international and foreign standards from other Standards Development Organizations, hard copies can be ordered from our Customer Services team.

Subscriptions

Our range of subscription services are designed to make using standards easier for you. For further information on our subscription products go to bsigroup.com/subscriptions.

With **British Standards Online (BSOL)** you'll have instant access to over 55,000 British and adopted European and international standards from your desktop. It's available 24/7 and is refreshed daily so you'll always be up to date.

You can keep in touch with standards developments and receive substantial discounts on the purchase price of standards, both in single copy and subscription format, by becoming a **BSI Subscribing Member**.

PLUS is an updating service exclusive to BSI Subscribing Members. You will automatically receive the latest hard copy of your standards when they're revised or replaced.

To find out more about becoming a BSI Subscribing Member and the benefits of membership, please visit bsigroup.com/shop.

With a **Multi-User Network Licence (MUNL)** you are able to host standards publications on your intranet. Licences can cover as few or as many users as you wish. With updates supplied as soon as they're available, you can be sure your documentation is current. For further information, email bsmusales@bsigroup.com.

BSI Group Headquarters

389 Chiswick High Road London W4 4AL UK

Revisions

Our British Standards and other publications are updated by amendment or revision.

We continually improve the quality of our products and services to benefit your business. If you find an inaccuracy or ambiguity within a British Standard or other BSI publication please inform the Knowledge Centre.

Copyright

All the data, software and documentation set out in all British Standards and other BSI publications are the property of and copyrighted by BSI, or some person or entity that owns copyright in the information used (such as the international standardization bodies) and has formally licensed such information to BSI for commercial publication and use. Except as permitted under the Copyright, Designs and Patents Act 1988 no extract may be reproduced, stored in a retrieval system or transmitted in any form or by any means – electronic, photocopying, recording or otherwise – without prior written permission from BSI. Details and advice can be obtained from the Copyright & Licensing Department.

Useful Contacts:

Customer Services

Tel: +44 845 086 9001

Email (orders): orders@bsigroup.com

Email (enquiries): cservices@bsigroup.com

Subscriptions

Tel: +44 845 086 9001

Email: subscriptions@bsigroup.com

Knowledge Centre

Tel: +44 20 8996 7004

Email: knowledgecentre@bsigroup.com

Copyright & Licensing

Tel: +44 20 8996 7070

Email: copyright@bsigroup.com



...making excellence a habit.™