

Petroleum and related products — Determination of the ageing behaviour of inhibited oils and fluids — TOST test —

Part 2: Procedure for category HFC hydraulic fluids

The European Standard EN ISO 4263-2:2003 has the status of a British Standard

ICS 75.120

National foreword

This British Standard is the official English language version of EN ISO 4263-2:2003. It is identical with ISO 4263-2:2003.

The UK participation in its preparation was entrusted to Technical Committee PTI/13, Petroleum testing and terminology, which has the responsibility to:

- aid enquirers to understand the text;
- present to the responsible international/European committee any enquiries on the interpretation, or proposals for change, and keep the UK interests informed;
- monitor related international and European developments and promulgate them in the UK.

A list of organizations represented on this committee can be obtained on request to its secretary.

Cross-references

The British Standards which implement international or European publications referred to in this document may be found in the *BSI Catalogue* under the section entitled “International Standards Correspondence Index”, or by using the “Search” facility of the *BSI Electronic Catalogue* or of British Standards Online.

This publication does not purport to include all the necessary provisions of a contract. Users are responsible for its correct application.

Compliance with a British Standard does not of itself confer immunity from legal obligations.

This British Standard was published under the authority of the Standards Policy and Strategy Committee on 14 May 2003

Summary of pages

This document comprises a front cover, an inside front cover, the EN ISO title page, the EN ISO foreword page, the ISO title page, pages ii to iv, pages 1 to 14, the Annex ZA page, and a back cover.

The BSI copyright date displayed in this document indicates when the document was last issued.

Amendments issued since publication

Amd. No.	Date	Comments
14574 Corrigendum No. 1	14 July 2003	Correction to EN ISO foreword page and addition of Annex ZA page

© BSI 14 July 2003

ICS 75.120

English version

Petroleum and related products - Determination of the ageing
behaviour of inhibited oils and fluids - TOST test - Part 2:
Procedure for category HFC hydraulic fluids (ISO 4263-2:2003)

Pétrole et produits et produits connexes - Détermination du
comportement au vieillissement des fluides et huiles
inhibées - Essai TOST - Partie 2: Méthode pour les fluides
hydrauliques de catégorie HFC (ISO 4263-2:2003)

Mineralölprodukte und verwandte Erzeugnisse -
Bestimmung des Alterungsverhaltens von wirkstoffhaltigen
Ölen und Flüssigkeiten - TOST Test - Teil 2: Verfahren für
Druckflüssigkeiten der Klasse HFC (ISO 4263-2:2003)

This European Standard was approved by CEN on 25 March 2003.

CEN members are bound to comply with the CEN/CENELEC Internal Regulations which stipulate the conditions for giving this European Standard the status of a national standard without any alteration. Up-to-date lists and bibliographical references concerning such national standards may be obtained on application to the Management Centre or to any CEN member.

This European Standard exists in three official versions (English, French, German). A version in any other language made by translation under the responsibility of a CEN member into its own language and notified to the Management Centre has the same status as the official versions.

CEN members are the national standards bodies of Austria, Belgium, Czech Republic, Denmark, Finland, France, Germany, Greece, Hungary, Iceland, Ireland, Italy, Luxembourg, Malta, Netherlands, Norway, Portugal, Slovakia, Spain, Sweden, Switzerland and United Kingdom.



EUROPEAN COMMITTEE FOR STANDARDIZATION
COMITÉ EUROPÉEN DE NORMALISATION
EUROPÄISCHES KOMITEE FÜR NORMUNG

Management Centre: rue de Stassart, 36 B-1050 Brussels

CORRECTED 2003-06-25

Foreword

This document (EN ISO 4263-2:2003) has been prepared by Technical Committee ISO/TC 28 "Petroleum products and lubricants" in collaboration with Technical Committee CEN/TC 19 "Petroleum products, lubricants and related products", the secretariat of which is held by NEN.

This European Standard shall be given the status of a national standard, either by publication of an identical text or by endorsement, at the latest by October 2003, and conflicting national standards shall be withdrawn at the latest by October 2003.

According to the CEN/CENELEC Internal Regulations, the national standards organizations of the following countries are bound to implement this European Standard: Austria, Belgium, Czech Republic, Denmark, Finland, France, Germany, Greece, Hungary, Iceland, Ireland, Italy, Luxembourg, Malta, Netherlands, Norway, Portugal, Slovakia, Spain, Sweden, Switzerland and the United Kingdom.

Endorsement notice

The text of ISO 4263-2:2003 has been approved by CEN as EN ISO 4263-2:2003 without any modifications.

NOTE Normative references to International Standards are listed in Annex ZA (normative).

INTERNATIONAL
STANDARD

ISO
4263-2

First edition
2003-04-15

**Petroleum and related products —
Determination of the ageing behaviour of
inhibited oils and fluids — TOST test**

Part 2:
**Procedure for category HFC hydraulic
fluids**

*Pétrole et produits connexes — Détermination du comportement au
vieillessement des fluides et huiles inhibées — Essai TOST*

Partie 2: Méthode pour les fluides hydrauliques de catégorie HFC



Reference number
ISO 4263-2:2003(E)

Contents

	Page
Foreword	iv
1 Scope	1
2 Normative references	1
3 Principle	1
4 Reagents and materials	2
5 Apparatus	3
6 Sampling	6
7 Preparation of materials and apparatus	7
8 Procedure	8
9 Calculation	9
10 Expression of results	9
11 Test report	9
Annex A (normative) Liquid-in-glass thermometer specifications	10
Annex B (normative) Procedure for packaging and storage of catalyst coils	11
Annex C (normative) Method for the determination of the insolubles content of category HFC hydraulic fluids	12
Annex D (normative) Appearance rating of catalyst-coil wires	13
Bibliography	14

Foreword

ISO (the International Organization for Standardization) is a worldwide federation of national standards bodies (ISO member bodies). The work of preparing International Standards is normally carried out through ISO technical committees. Each member body interested in a subject for which a technical committee has been established has the right to be represented on that committee. International organizations, governmental and non-governmental, in liaison with ISO, also take part in the work. ISO collaborates closely with the International Electrotechnical Commission (IEC) on all matters of electrotechnical standardization.

International Standards are drafted in accordance with the rules given in the ISO/IEC Directives, Part 2.

The main task of technical committees is to prepare International Standards. Draft International Standards adopted by the technical committees are circulated to the member bodies for voting. Publication as an International Standard requires approval by at least 75 % of the member bodies casting a vote.

Attention is drawn to the possibility that some of the elements of this document may be the subject of patent rights. ISO shall not be held responsible for identifying any or all such patent rights.

ISO 4263-2 was prepared by Technical Committee ISO/TC 28, *Petroleum products and lubricants*.

ISO 4263 consists of the following parts, under the general title *Petroleum and related products — Determination of the ageing behaviour of inhibited oils and fluids — TOST test*:

- *Part 1: Procedure for mineral oils*
- *Part 2: Procedure for category HFC hydraulic fluids*
- *Part 3: Anhydrous procedure for synthetic hydraulic fluids*
- *Part 4: Procedure for industrial gear oils*

Petroleum and related products — Determination of the ageing behaviour of inhibited oils and fluids — TOST test —

Part 2:

Procedure for category HFC hydraulic fluids

WARNING — The use of this part of ISO 4263 may involve hazardous materials, operations and equipment. This part of ISO 4263 does not purport to address all of the safety problems associated with its use. It is the responsibility of the user of this part of ISO 4263 to establish appropriate safety and health practices and determine the applicability of regulatory limitations prior to use.

1 Scope

This part of ISO 4263 specifies a method for the determination of the ageing behaviour of hydraulic fluids of category HFC as defined in ISO 6743-4 (see [2] in the Bibliography) and specified in ISO 12922 (see [3] in the Bibliography). The ageing is accelerated by the presence of oxygen, water and metal catalysts at elevated temperature, and the degradation of the fluid is followed by changes in pH value and insolubles content. Other parts of ISO 4263 specify similar procedures for the determination of the ageing behaviour of mineral oils and specified categories of fire-resistant fluids used in hydraulic and other applications.

NOTE For the purposes of this part of ISO 4263, the term “% (m/m)” is used to represent the mass fraction of a material.

2 Normative references

The following referenced documents are indispensable for the application of this document. For dated references, only the edition cited applies. For undated references, the latest edition of the referenced document (including any amendments) applies.

ISO 3170:—¹⁾, *Petroleum liquids — Manual sampling*

ISO 3696:1987, *Water for analytical laboratory use — Specification and test methods*

ISO 20843:—²⁾, *Petroleum and related products — Determination of pH of fire-resistant fluids within categories HFAE, HFAS and HFC*

3 Principle

A test portion is reacted, in the absence of light, at 95 °C with oxygen and a steel and copper catalyst coil. Small aliquots of the fluid are withdrawn at regular intervals and the pH value and insolubles content are measured. The test is continued until a pH of 4,0 is reached, an insolubles content of 4,0 % (m/m) is exceeded, or a 200 h duration has elapsed.

1) To be published. (Revision of ISO 3170:1988)

2) To be published.

4 Reagents and materials

4.1 Water, unless otherwise specified, in accordance with the requirements of grade 2 as defined in ISO 3696. Potable water means tap water, unless normal piped supplies are contaminated with particulate or highly soluble mineral content.

4.2 Heptane (C_7H_{16}), of minimum purity 99,75 %.

4.3 Acetone (CH_3COCH_3), of general purpose reagent grade (GPR).

4.4 Propan-2-ol ($CH_3CHOHCH_3$), of general purpose reagent grade (GPR).

4.5 Oxygen, of minimum purity 99,5 %. Supplied through a pressure-regulation system adequate to maintain the specified flow rate throughout the test duration.

Supply from an oxygen cylinder should be via a two-stage regulation system and a needle valve to improve the consistency of gas-flow regulation.

WARNING — Use oxygen only with equipment validated for oxygen service. Do not allow oil or grease to come into contact with oxygen and clean and inspect all regulators, gauges and control equipment. Check the oxygen-supply system regularly for leaks. If a leak is suspected, turn off immediately and seek qualified assistance.

4.6 Cleaning solutions

4.6.1 Strong oxidizing acid solution

A strong oxidizing acid cleaning solution, such as ammonium persulfate in concentrated sulfuric acid (8 g/l), or other proprietary strongly oxidizing solutions used in accordance with the manufacturer's instructions. A 10 % solution of three parts of hydrochloric acid (1 mol/l) and one part of orthophosphoric acid (concentrated GPR grade) removes iron oxide deposits.

4.6.2 Surfactant cleaning fluid

A proprietary strong surfactant cleaning fluid is a preferred alternative to the strong oxidizing cleaning solution whenever the condition of the glassware permits this.

4.6.3 Laboratory detergent

The detergent shall be water soluble.

4.7 Catalyst wires

4.7.1 Low-metalloid steel wire, of diameter $1,60 \text{ mm} \pm 0,05 \text{ mm}$, made of carbon steel, soft bright annealed and free from rust.

4.7.2 Copper wire, of diameter $1,63 \text{ mm} \pm 0,05 \text{ mm}$, made of either electrolytic copper wire of 99,9 % minimum purity or soft copper wire of an equivalent grade.

4.8 Abrasive cloth, made of silicon carbide of $150 \mu\text{m}$ (100-grit) with a cloth backing, or an equivalent grade of abrasive cloth.

4.9 Absorbent cotton

5 Apparatus

5.1 Oxidation cell, consisting of a large test tube of borosilicate glass with a graduation mark at $300 \text{ ml} \pm 1 \text{ ml}$, which applies to the test tube alone at $20 \text{ }^\circ\text{C}$. A mushroom condenser and oxygen-delivery tube, also of borosilicate glass, fit into the test tube. The design and dimensions shall be as illustrated in Figure 1.

5.2 Heating bath, consisting of a thermostatically controlled bath capable of maintaining the hydraulic fluid test portion in the oxidation cell at $95 \text{ }^\circ\text{C} \pm 0,2 \text{ }^\circ\text{C}$. It shall be large enough to hold the required number of oxidation cells (5.1) immersed in the heat-transfer medium to a depth of $355 \text{ mm} \pm 10 \text{ mm}$. It shall be constructed to ensure that light is excluded from the test portions during the test. If a fluid bath is used, it shall be fitted with a suitable stirring system to provide a uniform temperature throughout the bath. If the fluid bath is fitted with a top, the total length of the oxidation cell within the bath shall be $390 \text{ mm} \pm 10 \text{ mm}$. If a metal-block bath is used, the heaters shall be distributed so as to produce a uniform temperature throughout the bath, and the holes in the block shall have a minimum diameter of 50 mm and a depth, including any insulating cover, of $390 \text{ mm} \pm 10 \text{ mm}$.

5.3 Flowmeter, of minimum capacity 3 l/h and an accuracy of $\pm 0,1 \text{ l/h}$.

5.4 Temperature-measurement devices

5.4.1 Heating bath. The temperature in liquid heating baths shall be measured by either a liquid-in-glass thermometer meeting the requirements of the specification given in Annex A, or an equivalent temperature-measurement system readable to $\pm 0,1 \text{ }^\circ\text{C}$ and calibrated to better than $\pm 0,1 \text{ }^\circ\text{C}$. For metal-block heating baths, a temperature-measurement system, with possibly more than one device of the same readability and accuracy, is required.

5.4.2 Oxidation cell. The temperature in the oxidation cell shall be measured by either a liquid-in-glass thermometer meeting the requirements of the specification given in Annex A, or an equivalent temperature-measurement system readable to $\pm 0,1 \text{ }^\circ\text{C}$ and calibrated to better than $\pm 0,1 \text{ }^\circ\text{C}$.

5.4.3 Thermometer bracket. If a liquid-in-glass thermometer is used in the oxidation cell, it shall be suspended by means of a bracket as illustrated in Figure 2. The thermometer is held in the bracket by either two fluoro-elastomer O-rings of approximately 5 mm diameter, or by the use of a thin stainless steel wire.

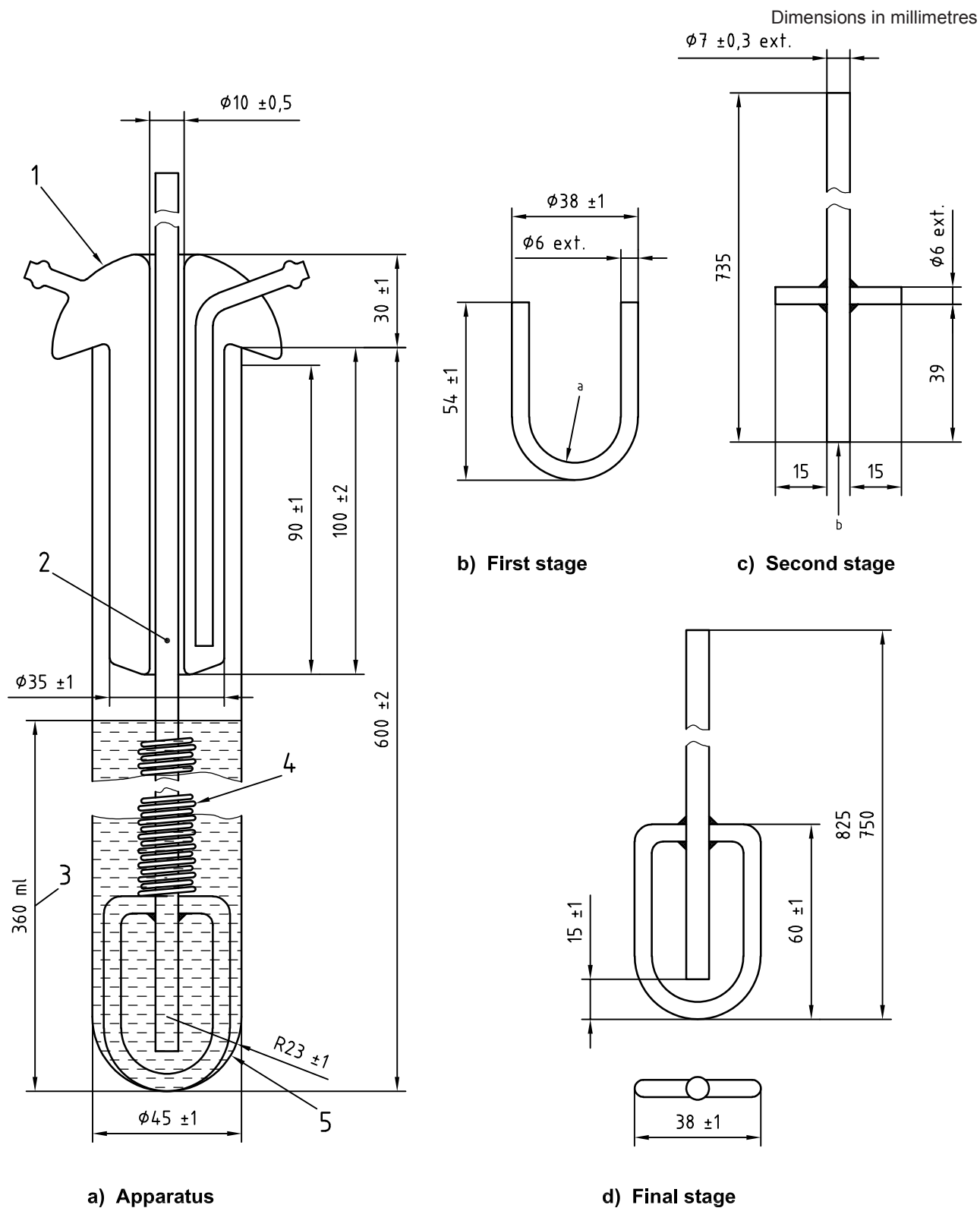
5.5 Wire-coiling mandrel. A mandrel, as illustrated in Figure 3, is used to produce the double spiral of copper and steel wire. The mandrel is included in a suitable winding device.

5.6 Oxygen-supply tube. Flexible polyvinylchloride (PVC) tubing of approximately 6,4 mm inside diameter and 1,5 mm wall thickness, is required to deliver oxygen to the oxidation cell.

5.7 Aliquot-removal devices. Depending on the size and frequency of removal of aliquots of the test portion for analysis, a selection of devices is required. Glass syringes, fitted with Luer connectors and stainless steel needles, or long pipettes fitted with suitable pipette fillers, are suitable. These may be inserted via a sampling tube fitted through the condenser. Aliquot sizes will generally be in the range of 2 ml to 10 ml, and the devices shall be capable of removing the required aliquot $\pm 0,2 \text{ ml}$.

5.8 Aliquot containers. Small, dark glass vials of 5 ml to 10 ml capacity, fitted with close-fitting polyethylene caps, are required.

5.9 Standard filter assembly, capable of holding the filter medium (5.10) securely on a filter support between the funnel and the vacuum flask. The vacuum flask shall be protected against implosion.

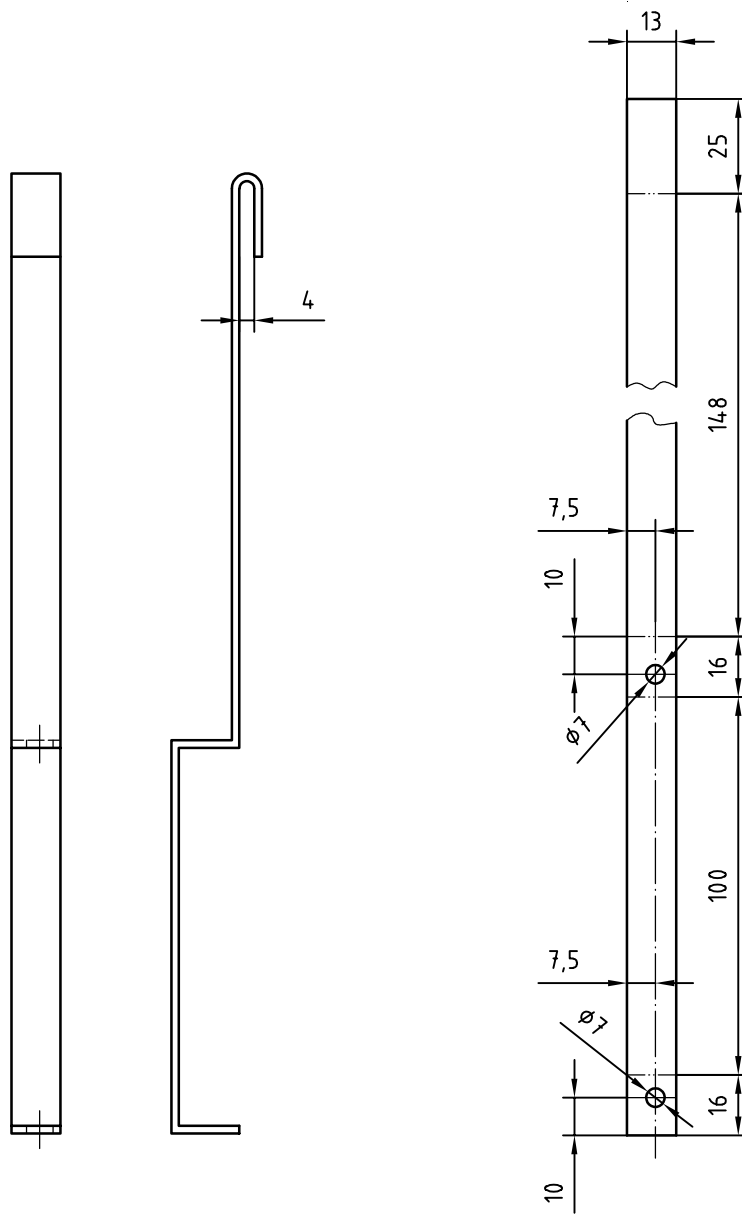


Key

- | | | |
|------------------------|----------------------------|------------------------------------|
| 1 glass condenser | 4 catalyst coils | a Bend over mandrel of diameter 26 |
| 2 oxygen-delivery tube | 5 radius of bottom of cell | b Grind end of tube |
| 3 fluid sample | | |

Figure 1 — Oxidation cell

Dimensions in millimetres



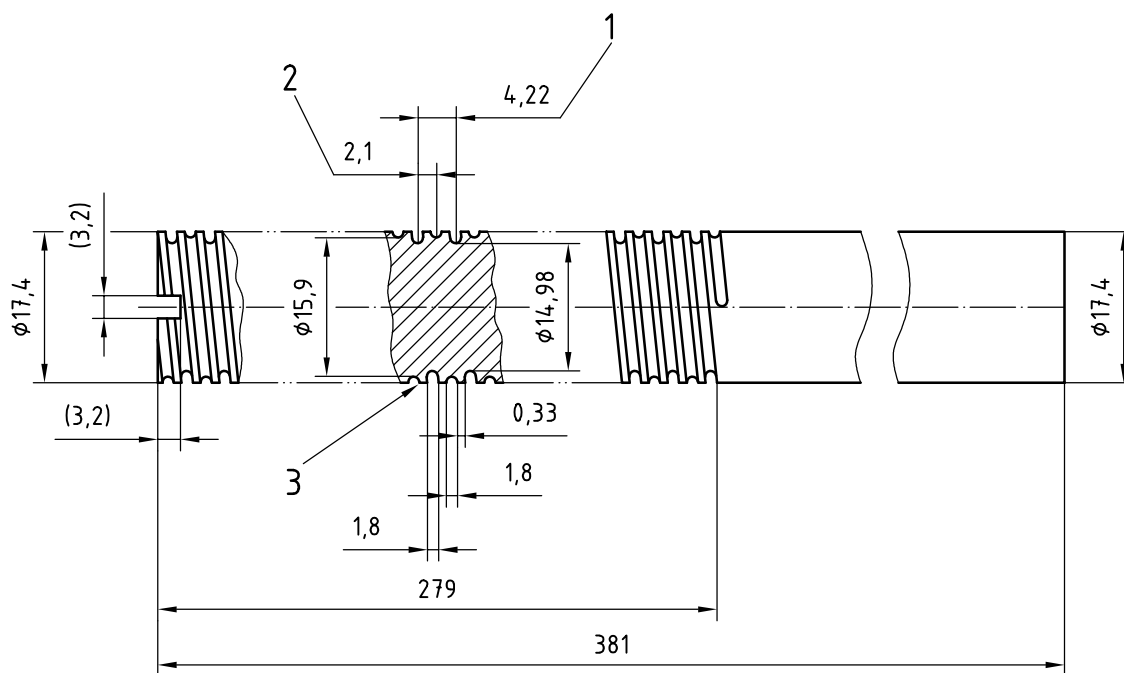
a) Bracket (finished)

b) Development of bracket

Material: 18-8 stainless steel (0,792)

Figure 2 — Thermometer bracket

Dimensions in millimetres



Material: bronze

Key

- 1 lead
- 2 pitch
- 3 double thread

Figure 3 — Catalyst-coil mandrel

5.10 Filter medium, of diameter 47 mm, consisting of membrane filters inert to the fluid under test and water, with a nominal pore diameter of 0,4 μm .

NOTE Nylon or glass fibre filters are likely to be most suitable. Cellulose ester membranes may not be inert to all fluids.

5.11 Drying oven, controlled at $105\text{ }^{\circ}\text{C} \pm 3\text{ }^{\circ}\text{C}$ for drying the filter medium (5.10) and optionally for the glassware.

5.12 Analytical balance, capable of weighing to the nearest 0,1 mg.

5.13 Graduated cylinder, of capacity 500 ml, capable of measuring $360\text{ ml} \pm 5\text{ ml}$.

6 Sampling

Unless otherwise specified, samples shall be obtained by the procedures described in ISO 3170.

7 Preparation of materials and apparatus

7.1 Cleaning catalysts

Immediately prior to winding a catalyst coil, clean a $3,00 \text{ m} \pm 0,01 \text{ m}$ length of steel wire (4.7.1) and an equal length of copper wire (4.7.2) with wads of absorbent cotton (4.9) soaked in heptane (4.2), and then abrade with the abrasive cloth (4.8) until a fresh metal surface is exposed. Wipe with dry absorbent cotton until all the loose particles of metal and abrasive have been removed. In all subsequent operations, handle the catalyst wires with clean gloves (cotton, rubber or plastic) to prevent contact with the skin.

7.2 Preparation of catalyst coil

Twist the steel and copper wires together tightly at one end for three turns and then wind them simultaneously alongside each other on a threaded mandrel (5.5 and Figure 3), inserting the steel wire in the deeper thread. Twist the free ends of the steel and copper wires together for three turns and bend the twisted ends to conform to the shape of the spiral coil. Remove the coil from the mandrel by reversing the winding action. Ensure that the overall length of the coil is $225 \text{ mm} \pm 5 \text{ mm}$ by stretching or compression if necessary.

7.3 Catalyst storage

Store the catalyst coil in a dry inert atmosphere prior to use, in accordance with the procedures described in Annex B. Inspect before use to ensure that no corrosion products or contaminating materials are present. For storage of less than 24 h, storage of the coil in heptane that is free from traces of water and corrosive materials is satisfactory.

NOTE Redistilled heptane (4.2), stored in a tightly sealed bottle, is suitable for overnight storage of the catalyst coil.

7.4 Cleaning new glassware

Wash new oxygen-delivery tubes, condensers and test tubes with hot detergent solution (see 4.6.3) and rinse thoroughly with potable water (4.1). Clean the interiors of the test tubes, the exteriors of the condensers, and both the interiors and exteriors of the oxygen-delivery tubes by either soaking for 24 h in a 10 % solution of the surfactant cleaning fluid (4.6.2), or by washing in strong oxidizing acid solution (4.6.1). Rinse all parts thoroughly with potable water followed by water (4.1) and allow to dry, either in the oven (5.11) or with a final rinse of propan-2-ol (4.4) or acetone (4.3) followed by air drying at ambient temperature.

7.5 Cleaning used glassware

Immediately following the termination of a test, drain the hydraulic fluid completely from the test tube and rinse all glassware with heptane (4.2) to remove traces of hydraulic fluid. Wash with hot detergent solution (see 4.6.3) using a long-handled brush and rinse thoroughly with potable water.

NOTE If adherent deposits are still present, these may be removed by filling the test tube with detergent solution, inserting the oxygen-delivery tube and fitting the condenser, and replacing the tube in the heating bath at test temperature. Often, after several hours of soaking, all adhering deposits except iron oxide have loosened, and this can be removed by a subsequent soaking in the hydrochloric/orthophosphoric acid mixture (see 4.6.1).

After all deposits have been removed, follow the cleaning procedure described in 7.4.

Store all cleaned glassware in a dry, dust-free condition until required.

7.6 Cleaning aliquot-removal device

Completely drain the tube of the sampling device and/or any other devices used and rinse any surfaces that have contacted the hydraulic fluid with heptane (4.2) to remove traces of hydraulic fluid. Soak the device to above the contact level for 24 h in the surfactant cleaning fluid (4.6.2), or wash in strong oxidizing acid solution (4.6.1), rinse with potable water, followed by water (4.1), and dry in the manner described in 7.4.

8 Procedure

8.1 Adjust the heating bath to a temperature that will maintain the temperature in the hydraulic fluid in the oxidation cells (5.1) at $95\text{ °C} \pm 0,2\text{ °C}$ throughout the duration of the test, with oxygen passing through the cells at $3\text{ l/h} \pm 0,5\text{ l/h}$.

NOTE The temperature of the heating bath (5.2) will be above 95 °C due to the cooling effect of the oxygen flow, but the specific temperature will depend on the bath medium, capacity and circulation efficiency.

It is recommended that the heating bath be always filled with oxidation cells, using dummy (ballast) cells for positions not occupied by test cells. In this way, the heating levels will be consistent, and the level of fluid medium in liquid baths will be maintained at the correct immersion depth.

8.2 Measure the temperature in each cell containing 360 ml of fluid, by means of the liquid-in-glass thermometer located on the thermometer bracket (5.4.3) with the immersion line at the fluid surface, or by means of an alternative temperature-measurement device at the same point. If the liquid-in-glass thermometer is used, correct the temperature reading by a $0,1\text{ °C}$ subtraction to allow for emergent-stem heating.

8.3 When a uniform temperature of $95,0\text{ °C} \pm 0,2\text{ °C}$ is obtained in all the test cells in the heating bath, record the heating bath temperature and maintain it at this level throughout tests carried out under the same conditions. Any change in condition, such as a change in the number of cells in the bath, or dramatic change in the test fluid type, necessitates a check on the level and uniformity of temperature control. All temperature measurements are carried out on new, undepleted test portions and/or dummy cells. Immediately the temperature control has been established, remove the temperature-measurement devices.

8.4 Fill the empty oxidation test tube with $360\text{ ml} \pm 5\text{ ml}$ of category HFC hydraulic fluid by means of the graduated cylinder (5.13). Slide the catalyst coil over the oxygen-inlet tube. If the wires are uneven at one end of the coil, position the coil so that this end is down. Place the oxygen-inlet tube with the coil in the test tube, and place the condenser over the oxygen-delivery tube and test tube. If used, a sampling tube and holder are inserted at this time. Check the immersion depth of the oxidation cell, and adjust to $355\text{ mm} \pm 10\text{ mm}$ as necessary. Connect the condenser to the cooling water and adjust the flow rate such that the temperature of the outlet water does not exceed 32 °C at any time during the test.

8.5 Connect the oxygen-delivery tube to the oxygen supply through the flowmeter (5.3) using new flexible tubing (5.6) no more than 600 mm in length. Before use, flush the interior of the tubing with heptane (4.2) and blow dry with air. Adjust the rate of oxygen flow to $3\text{ l/h} \pm 0,1\text{ l/h}$.

8.6 Throughout the duration of the test, maintain the temperature of the heating bath at that determined in 8.3 to maintain the fluid at $95\text{ °C} \pm 0,2\text{ °C}$ in each test cell.

8.7 Mark the level of the $360\text{ ml} \pm 5\text{ ml}$ test portion of the fluid on the outside of the test tube after assembly of the oxidation cell, before insertion of the cell into the heating bath.

8.8 At intervals of $50\text{ h} \pm 5\text{ h}$, disconnect the oxygen-supply tube and, as soon as practicable thereafter, remove a $10\text{ ml} \pm 1\text{ ml}$ aliquot from the mid-point of the fluid in the oxidation cell, using the selected aliquot-removal device. Replace the 10 ml of fluid removed with fresh fluid to bring the level up to the mark (see 8.7).

8.9 Split the aliquot into two approximately equal volumes, place them in aliquot containers (5.8) and carry out the following procedures:

- a) determine the pH value by the procedures described in ISO 20843 on one portion of the aliquot, to the nearest 0,2;
- b) determine the insolubles content by the method described in Annex C, to the nearest $0,1\text{ \% (m/m)}$.

8.10 At the end of the specified test period, which shall not be less than 200 h, or after any analysis of aliquots that give results by the procedures in 8.9 of less than 4,0 pH or more than $4,0\text{ \% (m/m)}$ insolubles, disconnect the oxygen-supply tube, remove the condenser, and then lift the oxygen-delivery tube with the catalyst coil carefully out of the fluid.

8.11 Rinse the coil in a gentle stream of propan-2-ol (4.4) followed by heptane (4.2) and examine the coil closely for deterioration. Using the rating system given in Annex D, record the observations.

9 Calculation

Calculate the insolubles content, w_i , in percentage by mass, from the following equation:

$$w_i = \frac{(m_2 - m_1) - (m_4 - m_3)}{(m_6 - m_5)} \times 100$$

where

- m_1 is the mass of the test membrane, expressed in grams;
- m_2 is the mass of the test membrane plus insolubles, expressed in grams;
- m_3 is the mass of the blank membrane before washing, expressed in grams;
- m_4 is the mass of the blank membrane after washing, expressed in grams;
- m_5 is the mass of the aliquot container after dispensation, expressed in grams;
- m_6 is the mass of the aliquot container before dispensation, expressed in grams.

10 Expression of results

10.1 Report the specified test period together with

- c) the pH value to the nearest 0,2,
- d) the insolubles content to the nearest 0,1 % (m/m), and
- e) the condition of the catalyst coils in accordance with the ratings given in Annex D.

10.2 If the test has been discontinued before the end of the specified test period, report the test as “failed” together with the number of hours run and the results specified in 10.1.

11 Test report

The test report shall contain at least the following information:

- a) a reference to this part of ISO 4263;
- b) the type and complete identification of the product tested;
- c) the result of the test (see Clause 10);
- d) any deviation, by agreement or otherwise, from the procedure specified;
- e) the date of the test.

Annex A (normative)

Liquid-in-glass thermometer specifications

The liquid-in-glass thermometers given in 5.4.1 and 5.4.2 shall meet the specifications given in Table A.1. Alternative temperature-measurement systems shall meet the performance criteria given in these specifications.

Table A.1 — Thermometer specifications

Thermometer		Heating bath	Oxidation bath
Temperature range	°C	72 to 126	80 to 100
Immersion	mm	100	76
Scale marks:			
Subdivisions	°C	0,2	0,1
Longer lines at each	°C	1	—
Numbers at each	°C	2	1
Maximum line width	mm	0,15	—
Scale error, maximum	°C	0,2	0,1
Total length	mm	390 to 400	235 to 245
Stem outer diameter (OD)	mm	6,0 to 8,0	6,0 to 7,0
Bulb length	mm	15 to 20	—
Bulb OD	mm	< stem OD	—
Scale location:			
Bottom of bulb to line at	°C	72	—
Distance	mm	125 to 145	—
Scale length	mm	190 to 235	—
NOTE An ASTM 40C/IP 80C thermometer meets the specification for the heating bath thermometer.			

Annex B (normative)

Procedure for packaging and storage of catalyst coils

B.1 Materials

B.1.1 Test tubes, made of borosilicate glass, 250 mm long, with an outer diameter of 25 mm and an inner diameter of approximately 22 mm.

B.1.2 Test tube caps, cylindrical, made of polyethylene and designed to grip closely the outside surface of the test tube.

B.1.3 Desiccant bags, made of paper, approximately 76 mm long, 51 mm wide and 3 mm thick, containing $3 \text{ g} \pm 0,5 \text{ g}$ of silica gel.

B.1.4 Flushing tube, made of stainless steel or glass, 305 mm long and with an outside diameter of approximately 5 mm, to deliver nitrogen to the bottom of the test tube.

B.1.5 Nitrogen, of minimum purity 99,7 %, oxygen free, and regulated to a suitable pressure.

The pressure should be sufficient to dislodge loose particles from the inside of the test tube, but not so high as to cause a vortex and entrain air within the tube.

B.2 Procedure

B.2.1 Flush a new test tube (B.1.1), that is visibly clean and dry, with nitrogen (B.1.5), using the flushing tube (B.1.4) to blow out any loose particles.

B.2.2 Hold the empty tube at an angle and, wearing gloves, gently slide the catalyst coil into the tube. Add a desiccant bag (B.1.3) folded lengthwise to fit into the tube. Insert the flushing tube down the middle of the test tube, to the bottom, and blow nitrogen through the tube for several seconds.

B.2.3 Withdraw the flushing tube slowly, with nitrogen still flowing, and immediately seal the test tube with a cap (B.1.2).

Annex C (normative)

Method for the determination of the insolubles content of category HFC hydraulic fluids

C.1 Scope

This annex describes a procedure for the determination of the insolubles content of category HFC hydraulic fluids that have been the subject of the accelerated oxidation described in this part of ISO 4263.

NOTE A similar procedure is available for the determination of the insolubles content of mineral oils subjected to the same accelerated oxidation, but there are significant differences in terms of the filter porosity, aliquot size and preparation. This procedure is given in Annex C of ISO 4263-1:2003 ^[1]. The results of the two procedures are not comparable.

C.2 Principle

The split aliquot (see 8.9) is filtered through a membrane filter medium of nominal porosity 0,4 µm under water-wet conditions, and the mass of retained material is determined.

C.3 Procedure

C.3.1 Using only forceps, place two membrane filters (5.10) on separate watch glasses, and dry in the oven (5.11) for 30 min. Cool in a covered vessel for 30 min, and weigh to the nearest 0,1 mg.

C.3.2 Place 50 ml of water (4.1) in a beaker and weigh the aliquot container (5.8) containing the split aliquot to the nearest 0,1 mg. Discharge the split aliquot into the beaker containing the water and reweigh the container.

C.3.3 Assemble the filter assembly (5.9), with one of the weighed membrane filters securely held on the support. Filter the contents of the beaker, using gentle vacuum as necessary. Do not allow the surface of the filter medium to become dry during filtration.

C.3.4 Rinse the beaker with two successive 25 ml portions of water, filter and examine the filtrate for clarity. If not perfectly clear, follow with successive 10 ml washings of the filter medium until the filtrate is clear. Note the total volume of water used.

C.3.5 Carry out a blank test on the second membrane filter using the volume of water used in C.3.2 plus C.3.4.

C.3.6 After filtration, dry the membrane filters in the oven for 30 min, cool in a closed container, and reweigh to the nearest 0,1 mg.

C.3.7 Calculate the insolubles content from the equation given in Clause 9.

Annex D (normative)

Appearance rating of catalyst coil wires

The rating system given in Table D.1 can be used to provide a qualitative indication of the corrosion properties of the oil under test. Only the outside surface of the coil is rated.

Table D.1 — Appearance of catalyst coil wires

Rating	Description
Steel	
Bright	Freshly polished appearance
Tarnished	No red-brown rust specks of corrosion, but overall discoloration
Light rust	Rusting confined to not more than 6 spots
Moderate rust	Rusting confined to 7 to 12 spots
Severe rust	Rusting with 13 or more spots
Etched	Dull steel colour
Coated	Deposits on the wire prevent an estimate of the surface corrosion
Copper	
Bright	Freshly polished appearance
Tarnished	Moderate discoloration
Brown	Uniform light or dark brown colour
Green	Distinct green colour
Black	Very dark colour
Etched	Dull copper colour
Coated	Deposits on the wire prevent an estimate of the surface corrosion

Bibliography

- [1] ISO 4263-1:2003, *Petroleum and related products — Determination of the ageing behaviour of inhibited oils and fluids — TOST test — Part 1: Procedure for mineral oils*
- [2] ISO 6743-4:1999, *Lubricants, industrial oils and related products (class L) — Classification — Part 4: Family H (Hydraulic systems)*
- [3] ISO 12922:1999, *Lubricants, industrial oils and related products (class L) — Family H (Hydraulic systems) — Specifications for categories HFAE, HFAS, HFB, HFC, HFDR and HFDU*

Annex ZA (normative)

Normative references to international publications with their relevant European publications

This European Standard incorporates by dated or undated reference, provisions from other publications. These normative references are cited at the appropriate places in the text and the publications are listed hereafter. For dated references, subsequent amendments to or revisions of any of these publications apply to this European Standard only when incorporated in it by amendment or revision. For undated references the latest edition of the publication referred to applies (including amendments).

NOTE Where an International Publication has been modified by common modifications, indicated by (mod.), the relevant EN/HD applies.

<u>Publication</u>	<u>Year</u>	<u>Title</u>	<u>EN</u>	<u>Year</u>
ISO 3170	1988	Petroleum liquids - Manual sampling	EN ISO 3170	1998
ISO 3696	1987	Water for analytical laboratory use - Specification and test methods	EN ISO 3696	1995

BSI — British Standards Institution

BSI is the independent national body responsible for preparing British Standards. It presents the UK view on standards in Europe and at the international level. It is incorporated by Royal Charter.

Revisions

British Standards are updated by amendment or revision. Users of British Standards should make sure that they possess the latest amendments or editions.

It is the constant aim of BSI to improve the quality of our products and services. We would be grateful if anyone finding an inaccuracy or ambiguity while using this British Standard would inform the Secretary of the technical committee responsible, the identity of which can be found on the inside front cover.
Tel: +44 (0)20 8996 9000. Fax: +44 (0)20 8996 7400.

BSI offers members an individual updating service called PLUS which ensures that subscribers automatically receive the latest editions of standards.

Buying standards

Orders for all BSI, international and foreign standards publications should be addressed to Customer Services. Tel: +44 (0)20 8996 9001.
Fax: +44 (0)20 8996 7001. Email: orders@bsi-global.com. Standards are also available from the BSI website at <http://www.bsi-global.com>.

In response to orders for international standards, it is BSI policy to supply the BSI implementation of those that have been published as British Standards, unless otherwise requested.

Information on standards

BSI provides a wide range of information on national, European and international standards through its Library and its Technical Help to Exporters Service. Various BSI electronic information services are also available which give details on all its products and services. Contact the Information Centre.
Tel: +44 (0)20 8996 7111. Fax: +44 (0)20 8996 7048. Email: info@bsi-global.com.

Subscribing members of BSI are kept up to date with standards developments and receive substantial discounts on the purchase price of standards. For details of these and other benefits contact Membership Administration.
Tel: +44 (0)20 8996 7002. Fax: +44 (0)20 8996 7001.
Email: membership@bsi-global.com.

Information regarding online access to British Standards via British Standards Online can be found at <http://www.bsi-global.com/bsonline>.

Further information about BSI is available on the BSI website at <http://www.bsi-global.com>.

Copyright

Copyright subsists in all BSI publications. BSI also holds the copyright, in the UK, of the publications of the international standardization bodies. Except as permitted under the Copyright, Designs and Patents Act 1988 no extract may be reproduced, stored in a retrieval system or transmitted in any form or by any means – electronic, photocopying, recording or otherwise – without prior written permission from BSI.

This does not preclude the free use, in the course of implementing the standard, of necessary details such as symbols, and size, type or grade designations. If these details are to be used for any other purpose than implementation then the prior written permission of BSI must be obtained.

Details and advice can be obtained from the Copyright & Licensing Manager.
Tel: +44 (0)20 8996 7070. Fax: +44 (0)20 8996 7553.
Email: copyright@bsi-global.com.