

BS EN ISO 4064-4:2014

Incorporating corrigendum November 2014



BSI Standards Publication

Water meters for cold potable water and hot water

Part 4: Non-metrological requirements not covered in ISO 4064-1

bsi.

...making excellence a habit.™

National foreword

This British Standard is the UK implementation of EN ISO 4064-4:2014. Together with BS EN ISO 4064-1:2014 it supersedes BS EN 14154-1:2005+A2:2011, which is withdrawn.

The UK participation in its preparation was entrusted by Technical Committee CPI/30, Measurement of fluid flow in closed conduits, to Subcommittee CPI/30/7, Volume flow-rate methods.

A list of organizations represented on this subcommittee can be obtained on request to its secretary.

This publication does not purport to include all the necessary provisions of a contract. Users are responsible for its correct application.

© The British Standards Institution 2014.
Published by BSI Standards Limited 2014

ISBN 978 0 580 88481 8

ICS 91.140.60

Compliance with a British Standard cannot confer immunity from legal obligations.

This British Standard was published under the authority of the Standards Policy and Strategy Committee on 30 June 2014.

Amendments/corrigenda issued since publication

Date	Text affected
30 November 2014	Implementation of CEN Correction Notice 20 August 2014: Supersession information updated in national and CEN forewords

English Version

Water meters for cold potable water and hot water - Part 4: Non-metrological requirements not covered in ISO 4064-1 (ISO 4064-4:2014)

Compteurs d'eau potable froide et d'eau chaude - Partie 4:
Exigences non métrologiques non couvertes par l'ISO
4064-1 (ISO 4064-4:2014)

Wasserzähler zum Messen von kaltem Trinkwasser und
heißem Wasser - Teil 4: Nichtmetrologische Anforderungen,
die nicht Gegenstand von ISO 4064-1 sind (ISO 4064-
4:2014)

This European Standard was approved by CEN on 21 September 2013.

CEN members are bound to comply with the CEN/CENELEC Internal Regulations which stipulate the conditions for giving this European Standard the status of a national standard without any alteration. Up-to-date lists and bibliographical references concerning such national standards may be obtained on application to the CEN-CENELEC Management Centre or to any CEN member.

This European Standard exists in three official versions (English, French, German). A version in any other language made by translation under the responsibility of a CEN member into its own language and notified to the CEN-CENELEC Management Centre has the same status as the official versions.

CEN members are the national standards bodies of Austria, Belgium, Bulgaria, Croatia, Cyprus, Czech Republic, Denmark, Estonia, Finland, Former Yugoslav Republic of Macedonia, France, Germany, Greece, Hungary, Iceland, Ireland, Italy, Latvia, Lithuania, Luxembourg, Malta, Netherlands, Norway, Poland, Portugal, Romania, Slovakia, Slovenia, Spain, Sweden, Switzerland, Turkey and United Kingdom.



EUROPEAN COMMITTEE FOR STANDARDIZATION
COMITÉ EUROPÉEN DE NORMALISATION
EUROPÄISCHES KOMITEE FÜR NORMUNG

CEN-CENELEC Management Centre: Avenue Marnix 17, B-1000 Brussels

Foreword

This document (EN ISO 4064-4:2014) has been prepared by Technical Committee ISO/TC 30 “Measurement of fluid flow in closed conduits” in collaboration with Technical Committee CEN/TC 92 “Water meters” the secretariat of which is held by SNV.

This European Standard shall be given the status of a national standard, either by publication of an identical text or by endorsement, at the latest by December 2014, and conflicting national standards shall be withdrawn at the latest by June 2017.

Attention is drawn to the possibility that some of the elements of this document may be the subject of patent rights. CEN [and/or CENELEC] shall not be held responsible for identifying any or all such patent rights.

This document supersedes EN 14154-1:2005+A2:2011.

This document has been prepared under a mandate given to CEN by the European Commission and the European Free Trade Association.

According to the CEN-CENELEC Internal Regulations, the national standards organizations of the following countries are bound to implement this European Standard: Austria, Belgium, Bulgaria, Croatia, Cyprus, Czech Republic, Denmark, Estonia, Finland, Former Yugoslav Republic of Macedonia, France, Germany, Greece, Hungary, Iceland, Ireland, Italy, Latvia, Lithuania, Luxembourg, Malta, Netherlands, Norway, Poland, Portugal, Romania, Slovakia, Slovenia, Spain, Sweden, Switzerland, Turkey and the United Kingdom.

Endorsement notice

The text of ISO 4064-4:2014 has been approved by CEN as EN ISO 4064-4:2014 without any modification.

Contents

Page

Foreword	iv
1 Scope	1
2 Normative references	1
3 Terms and definitions	1
4 Technical characteristics	2
4.1 In-line meters.....	2
4.2 Concentric and cartridge meters and exchangeable metrological modules.....	4
Annex A (informative) Concentric water meter manifold	10
Annex B (normative) Connection interfaces — Solutions for cartridge meters	13
Annex C (informative) Examples of adaptors and converters	24
Bibliography	26

Foreword

ISO (the International Organization for Standardization) is a worldwide federation of national standards bodies (ISO member bodies). The work of preparing International Standards is normally carried out through ISO technical committees. Each member body interested in a subject for which a technical committee has been established has the right to be represented on that committee. International organizations, governmental and non-governmental, in liaison with ISO, also take part in the work. ISO collaborates closely with the International Electrotechnical Commission (IEC) on all matters of electrotechnical standardization.

The procedures used to develop this document and those intended for its further maintenance are described in the ISO/IEC Directives, Part 1. In particular the different approval criteria needed for the different types of ISO documents should be noted. This document was drafted in accordance with the editorial rules of the ISO/IEC Directives, Part 2, www.iso.org/directives.

Attention is drawn to the possibility that some of the elements of this document may be the subject of patent rights. ISO shall not be held responsible for identifying any or all such patent rights. Details of any patent rights identified during the development of the document will be in the Introduction and/or on the ISO list of patent declarations received, www.iso.org/patents.

Any trade name used in this document is information given for the convenience of users and does not constitute an endorsement.

The committee responsible for this document is ISO/TC 30, *Measurement of fluid flow in closed conduits*, Subcommittee SC 7, *Volume methods including water meters*.

ISO 4064 consists of the following parts, under the general title *Water meters for cold potable water and hot water*:

- *Part 1: Metrological and technical requirements*
- *Part 2: Test methods*
- *Part 3: Test report format*
- *Part 4: Non-metrological requirements not covered in ISO 4064-1*
- *Part 5: Installation requirements*

Water meters for cold potable water and hot water —

Part 4:

Non-metrological requirements not covered in ISO 4064-1

1 Scope

This part of ISO 4064 applies to water meters used to meter the volume of cold potable water and hot water flowing through a fully charged, closed conduit. These water meters incorporate devices which indicate the integrated volume.

This part of ISO 4064 specifies technical characteristics and pressure loss requirements for meters for cold potable water and hot water. It applies to water meters which can withstand:

- a) a maximum admissible pressure (MAP) equal to at least 1 MPa¹⁾ [0,6 MPa for meters for use with pipe nominal diameters (DNs) ≥ 500 mm];
- b) a maximum admissible temperature (MAT) for cold potable water meters of 30 °C;
- c) a MAT for hot water meters of up to 180 °C, depending on class.

In addition to meters based on mechanical principles, this part of ISO 4064 also applies to water meters based on electrical or electronic principles, and to water meters based on mechanical principles incorporating electronic devices, used to meter the volume flow of hot water and cold potable water. It also applies to electronic ancillary devices. As a rule ancillary devices are optional. However, national or international regulations may make some ancillary devices mandatory in relation to the utilization of the water meter.

2 Normative references

The following documents, in whole or in part, are normatively referenced in this document and are indispensable for its application. For dated references, only the edition cited applies. For undated references, the latest edition of the referenced document (including any amendments) applies.

ISO 228-1, Pipe threads where pressure-tight joints are not made on the threads — Part 1: Dimensions, tolerances and designation

ISO 4064-1|OIML R 49-1, Water meters for cold potable water and hot water — Part 1: Metrological and technical requirements

ISO 7005-2, *Metallic flanges — Part 2: Cast iron flanges*

ISO 7005-3, *Metallic flanges — Part 3: Copper alloy and composite flanges*

3 Terms and definitions

For the purposes of this document, the terms and definitions given in ISO 4064-1|OIML R 49-1 apply.

NOTE Many of the definitions used in this part of ISO 4064 conform to ISO/IEC Guide 99:2007|OIML V 2-200:2012,^[1] OIML V 1:2013,^[2] and OIML D 11.^[3]

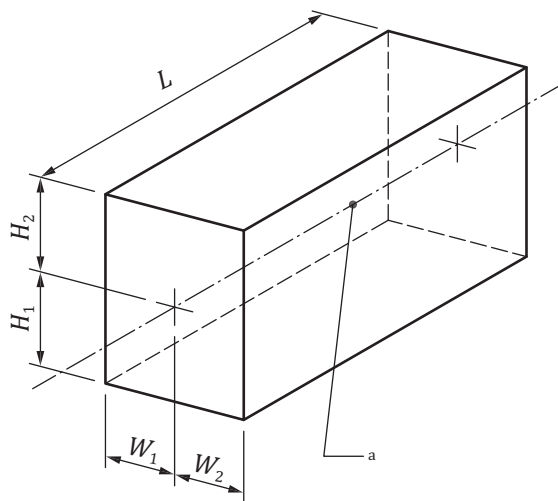
1) 1 MPa = 10 bar

4 Technical characteristics

4.1 In-line meters

4.1.1 Meter size and overall dimensions

Meter size is characterized either by the thread size of the end connections or by the nominal size of the flange. For each meter size, there is a corresponding fixed set of overall dimensions. The dimensions of the meter, as illustrated in [Figure 1](#), shall be in accordance with [Table 1](#).



Key

W_1, W_2 $W_1 + W_2$ is the width of a cuboid within which the water meter can be contained

H_1, H_2 $H_1 + H_2$ is the height of a cuboid within which the water meter can be contained

L length of a cuboid within which the water meter can be contained

NOTE The cover is at right angles to its closed position. Dimensions H_1, H_2, W_1 and W_2 are maxima; L is a fixed value with specified tolerances.

a Pipe axis.

Figure 1 — Meter size and overall dimensions

4.1.2 Threaded connection

Permissible values of dimensions a and b for threaded connections are given in [Table 1](#). Threads shall conform to ISO 228-1. [Figure 2](#) defines dimensions a and b .

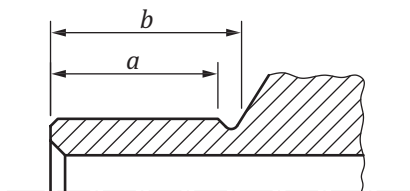


Figure 2 — Threaded connection

4.1.3 Flanged connection

Flanged end connections shall conform to ISO 7005-2 and ISO 7005-3 for the maximum pressure corresponding to that of the water meter. Dimensions shall be as given in [Table 1](#).

The manufacturer shall provide a reasonable clearance behind the rear face of the flange to allow access for installation and removal.

Table 1 — Water meter dimensions for threaded and flanged connections

Dimensions in millimetres

DN ^a size	a_{\min}	b_{\min}	Preferred values of L^b	Alternative values of L^b	W_1, W_2	H_1	H_2
15	10 ^c	12 ^c	165	80, 85, 100, 105, 110, 114, 115, 130, 134, 135, 145, 170, 175, 180, 190, 200, 220	65	60	220
20	12	14	190	105, 110, 115, 130, 134, 135, 165, 175, 195, 200, 220, 229	65	60	240
25	12	16	260	110, 150, 175, 199, 200, 210, 225, 273	100	65	260
32	13	18	260	110, 150, 175, 199, 200, 230, 270, 300, 321	110	70	280
40	13	20	300	200, 220, 245, 260, 270, 387	120	75	300
50	13	20	200	170, 245, 250, 254, 270, 275, 300, 345, 350	135	216	390
65	14	22	200	170, 270, 300, 450	150	130	390
80			200	190, 225, 300, 305, 350, 425, 500	180	343	410
100			250	210, 280, 350, 356, 360, 375, 450, 650	225	356	440
125			250	220, 275, 300, 350, 375, 450	135	140	440
150			300	230, 325, 350, 450, 457, 500, 560	267	394	500
200			350	260, 400, 500, 508, 550, 600, 620	349	406	500
250			450	330, 400, 600, 660, 800	368	521	500
300			500	380, 400, 800	394	533	533
350			500	420, 800	270	300	500
400			600	500, 550, 800	290	320	500
500			600	500, 625, 680, 770, 800, 900, 1000	365	380	520
600			800	500, 750, 820, 920, 1000, 1200	390	450	600
800			1200	600	510	550	700
>800			1,25× DN	DN	0,65× DN	0,65× DN	0,75× DN

^a Nominal size of flanges and threaded connections.

^b Tolerance on length: DN 15 to 40 — L_{-2}^0 ; DN 50 to 300 — L_{-3}^0 ; DN 350 to 400 — L_{-5}^0 . Tolerances on lengths of meters greater than DN 400 should be agreed between the user and manufacturer.

^c For DN 15 meters of length 80 mm or 85 mm, $a_{\min} = b_{\min} = 7,5$ mm.

4.1.4 Combination meter connection

Dimensions shall be as set out in [Table 2](#).

The overall length of a combination meter may be a fixed dimension or may be adjustable by means of a sliding coupling. In this case, the minimum possible adjustment of the meter overall length shall be 15 mm relative to the nominal value of L defined in [Table 2](#).

At the time of publication, because of the wide variation in the height of the various types of combination meters, it has not been possible to standardize this dimension.

Table 2 — Combination water meter with flanged end connections

Dimensions in millimetres

DN ^a size	Preferred values of <i>L</i>	Alternative values of <i>L</i>	<i>W</i> ₁ , <i>W</i> ₂
50	300	270, 432, 560, 600	220
65	300	650	240
80	350	300, 432, 630, 700	260
100	350	360, 610, 750, 800	350
125	350	850	350
150	500	610, 1000	400
200	500	1160, 1200	400

^a Nominal size of flange connection.

4.2 Concentric and cartridge meters and exchangeable metrological modules

NOTE 1 This subclause contains the necessary information on meter size and overall dimensions. Two meter manifold connection designs are shown in [Annex A](#).

NOTE 2 It is possible that this subclause and [Annex A](#) will be subject to change as concentric water meter and manifold designs evolve.

4.2.1 Meter size and overall dimensions

Dimensions for a current meter design are shown in [Figure 3](#) and [Table 3](#).

4.2.2 Design of the meter manifold connection

The meter connection shall be designed to connect the meter, using the screw thread provided, to a manifold having this design of face. Suitable seals shall ensure that no leaks occur between the inlet connection and the meter/manifold exterior or between the inlet and outlet passages at the meter/manifold interface.

4.2.3 Dimensions of concentric and cartridge meters

4.2.3.1 General

Dimensions for concentric and cartridge meters are defined by a cylinder into which the meter fits — see [Figure 3](#), in which *J* and *K* define respectively the height and diameter of a cylinder enclosing the meter.

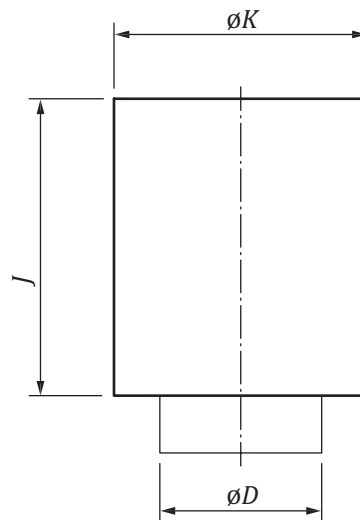


Figure 3 — Concentric and cartridge meter dimensions

NOTE Where there is a separate indicating device or calculator, the overall size specified in [Figure 3](#) applies only to the housing of the measurement transducer.

4.2.3.2 Concentric meters

Dimensions for concentric meters are specified in [Table 3](#).

Table 3 — Concentric meter dimensions

Dimensions in millimetres

Type	Maximum ϕD	Maximum J	Maximum ϕK
1	(G 1½ B) ^a	220	110
2	(G 2 B) ^a	220	135
^a Whitworth threading.			

4.2.3.3 Dimensions of cartridge meters

Dimensions for cartridge meters are specified in [Table 4](#).

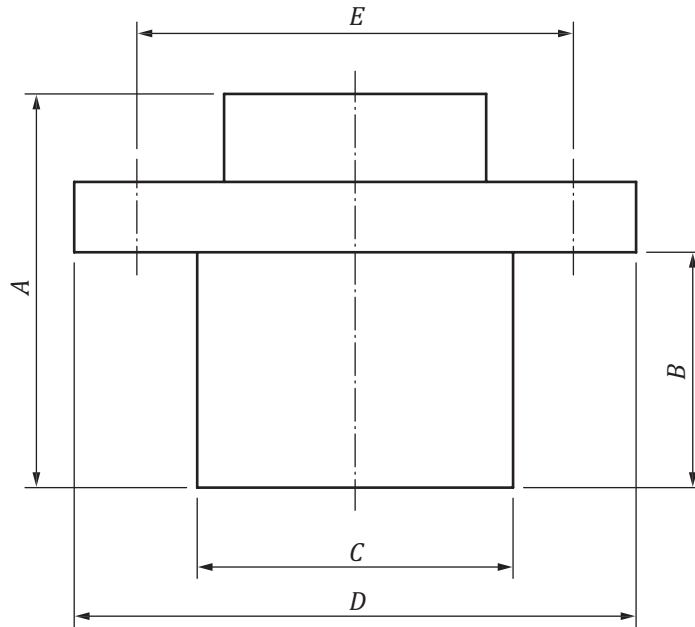
Table 4 — Cartridge meter dimensions

Dimensions in millimetres

Maximum ϕD	Maximum J	Maximum ϕK
90	200	150

4.2.4 Dimensions of exchangeable metrological modules

The dimensions of exchangeable metrological modules in meters with horizontal or vertical flow patterns (WP or WS) shall be in accordance with [Figure 4](#) and [Tables 5](#) and [6](#).



Key

A, B, C, D, E see [Tables 5](#) and [6](#)

**Figure 4 — Dimensions of exchangeable metrological modules —
 Meters with horizontal or vertical flow pattern (WP or WS)**

**Table 5 — Exchangeable metrological modules: dimensions —
 Meters with horizontal flow pattern (WP)**

Dimensions in millimetres

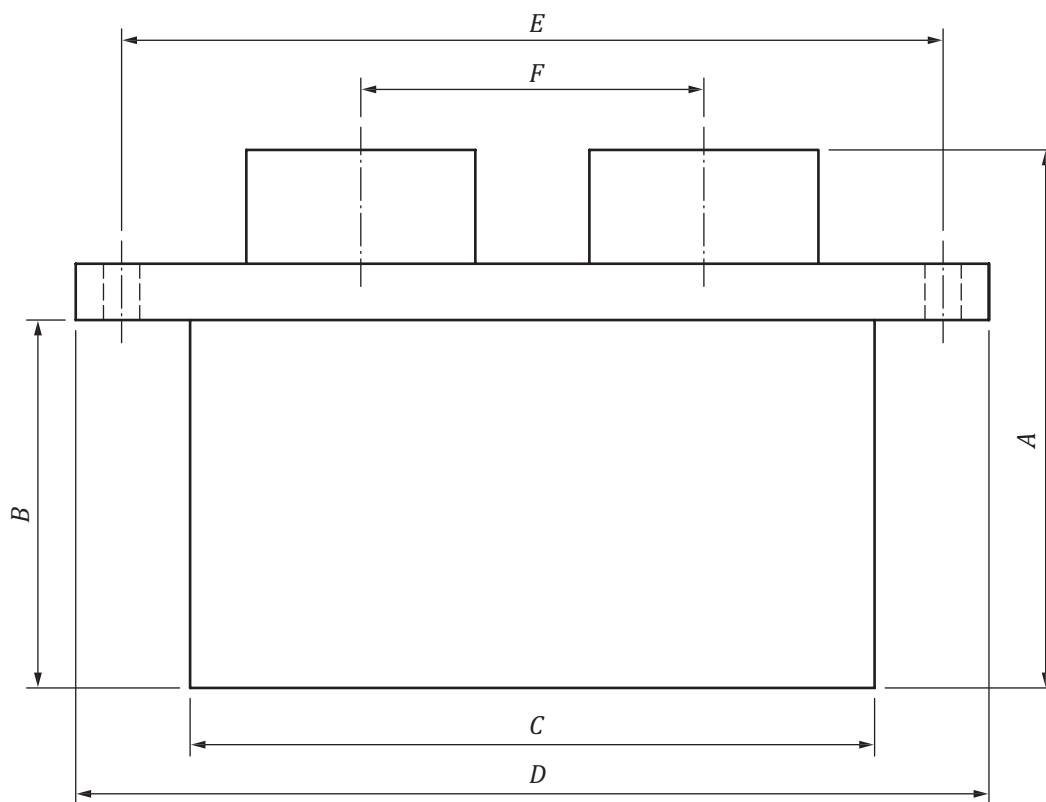
DN	Maximum <i>A</i>	Maximum <i>B</i>	Maximum <i>C</i>	Maximum <i>D</i>	Maximum <i>E</i>
40	210	125	125	190	147
50	210	125	125	190	147
65	210	125	125	190	147
80	235	147	145	190	180
100	235	147	145	190	180
125	235	147	145	190	180
150	370	252	210	290	245
200	370	258	220	290	276
250	370	258	220	290	276
300	370	258	220	290	276

**Table 6 — Exchangeable metrological modules: dimensions —
Meters with vertical flow pattern (WS)**

Dimensions in millimetres

DN	Maximum A	Maximum B	Maximum C	Maximum D	Maximum E
50	232	150	130	160	170
65	250	168	130	202	170
80	270	177	166	250	218
100	310	204	168	252	218
150	425	290	255	345	292
200	440	340	280	400	360

Dimensions of exchangeable modules for use in combination meters shall be in accordance with [Figure 5](#) and [Table 7](#).



Key

A, B, C, D, E, F see [Table 7](#)

Figure 5 — Dimensions of exchangeable metrological modules — Combination meters

Table 7 — Exchangeable metrological modules: dimensions — Combination meters

Dimensions in millimetres

DN	Maximum A	Maximum B	Maximum C	Maximum D	Maximum E	Maximum F
50	310	195	260	300	266	150
65	345	215	260	330	280	150
80	365	235	260	320	290	150
100	385	255	260	335	300	150

Figures 6 to 10 show examples of meters with interchangeable inserts.

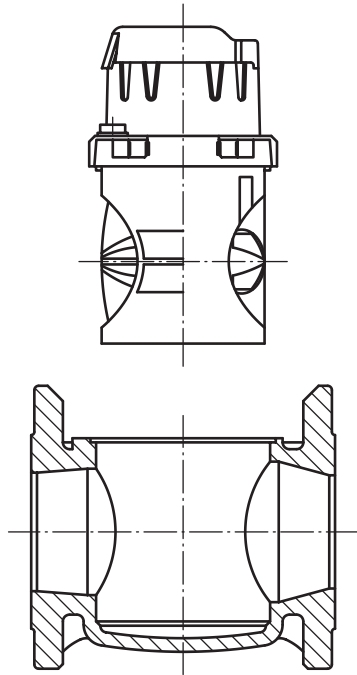


Figure 6 — Meter with exchangeable metrological module — Axial flow pattern

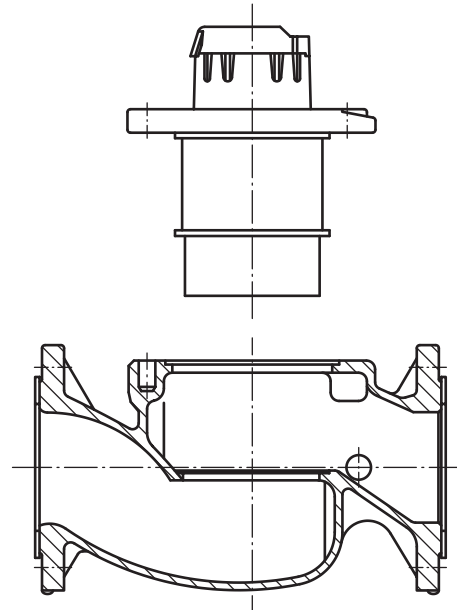


Figure 7 — Meter with exchangeable metrological module — Vertical flow pattern

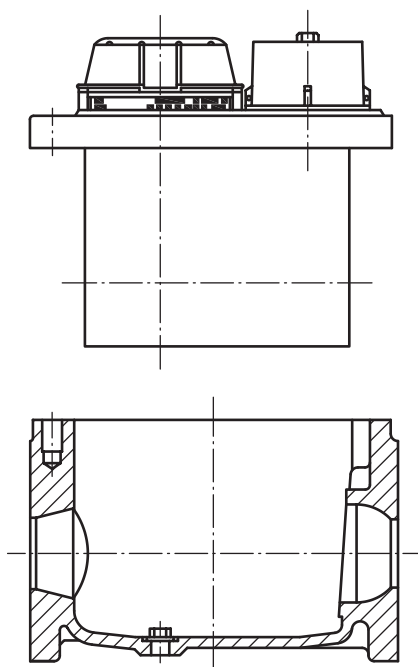


Figure 8 — Meter with exchangeable metrological module — Axial flow pattern, combination type

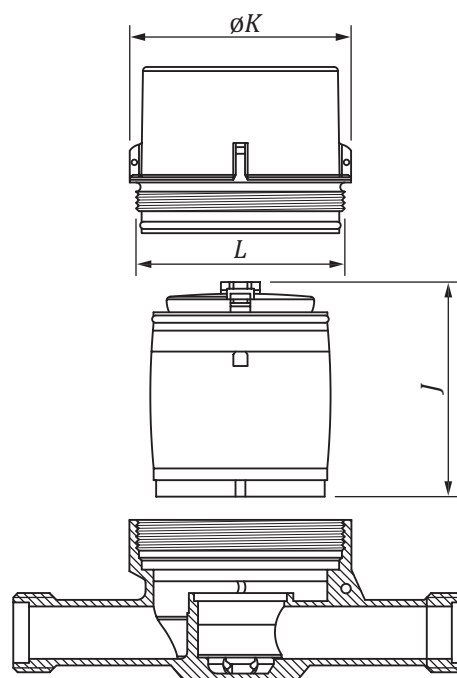
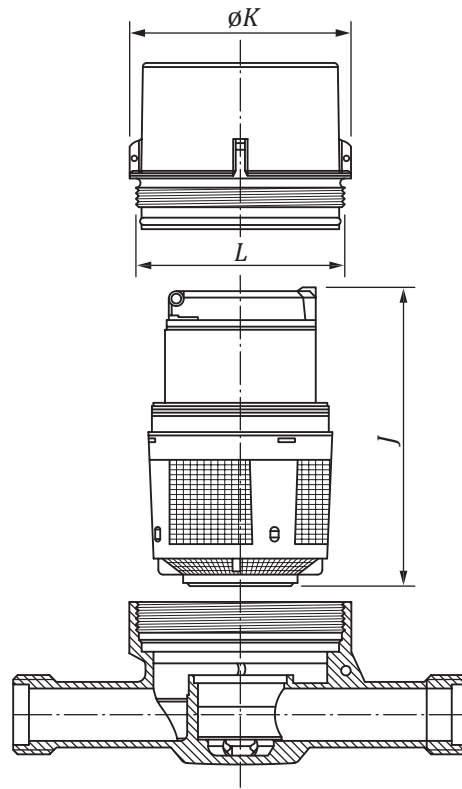


Figure 9 — Meter with exchangeable metrological module — Concentric flow pattern, inferential



**Figure 10 — Meter with exchangeable metrological module —
Concentric flow pattern, volumetric**

Annex A (informative)

Concentric water meter manifold

A.1 General

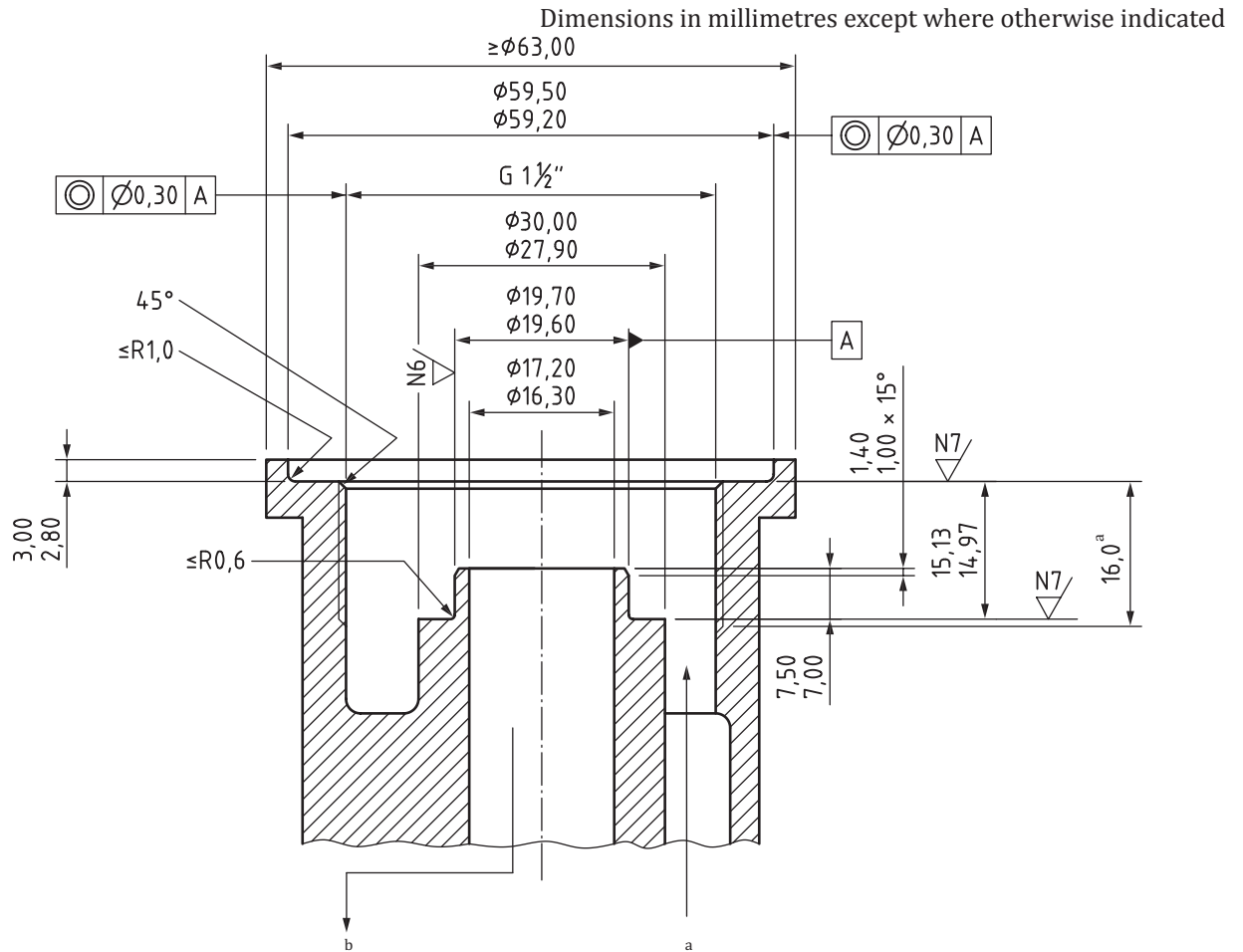
At the time of publication of this part of ISO 4064, an International Standard for the connections to concentric water meters does not exist. This annex contains the necessary information to design and construct the meter manifold connection and refers to any relevant sources of information. This annex is subject to expansion as other manifold designs are submitted for inclusion.

A.2 Concentric water meter manifold design

The design of two manifold interfaces is shown in [Figures A.1](#) and [A.2](#) (see also [Table 3](#)).

The meter connection should be designed to connect the meter, using the screw thread provided, to a manifold having this design of face. Suitable seals should ensure that no leaks occur between the inlet connection and the meter/manifold exterior or between the inlet and outlet passages at the meter/manifold interface.

NOTE ISO 4064-2|OIML R 49-2 refers to the additional pressure tests to be passed by this meter type.



Key

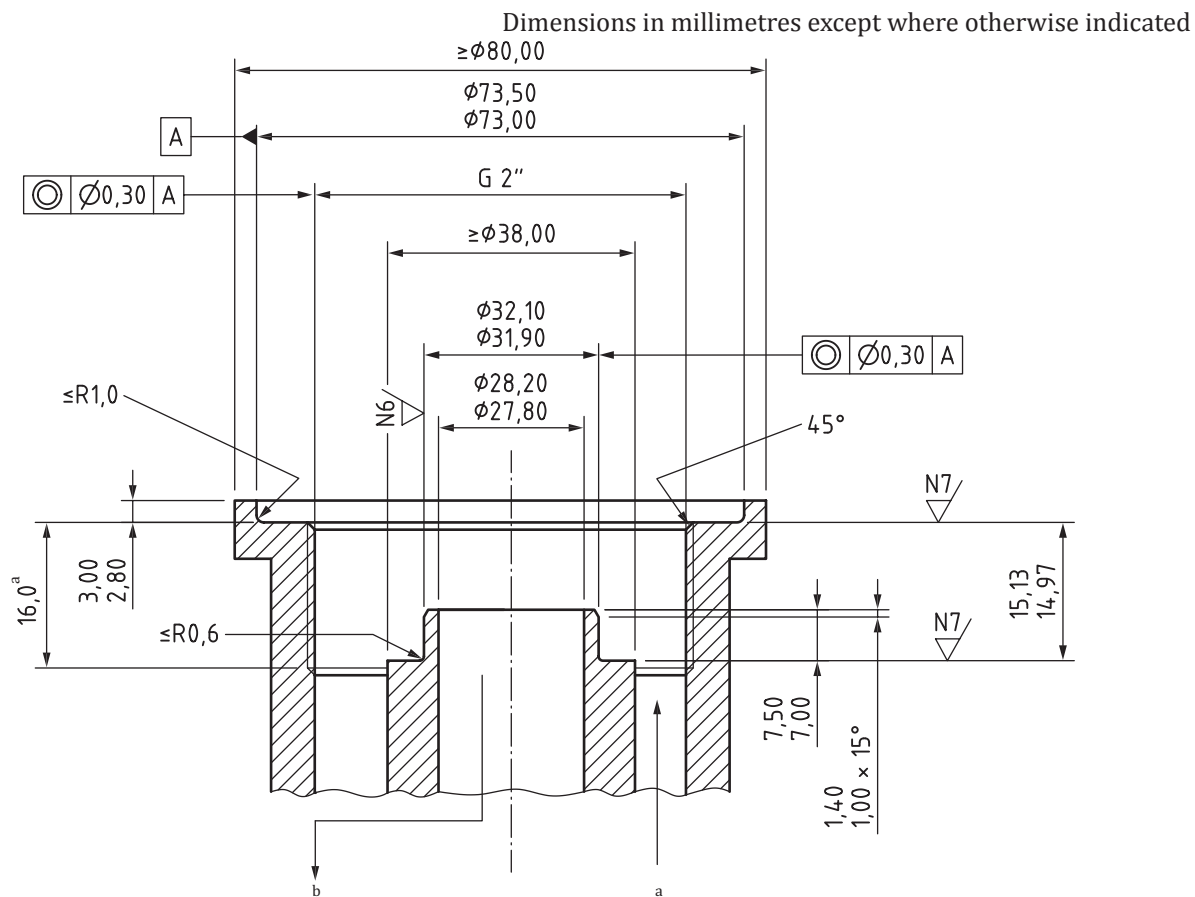
A minimum, full thread

NOTE Machined surface roughness 3,2 μm , unless otherwise stated. Tolerance on angles: $\pm 3^\circ$.

a Water flow in.

b Water flow out.

Figure A.1 — Example manifold dimensions — G 1½ concentric meters



Key

A minimum, full thread

NOTE Machined surface roughness $3,2 \mu\text{m}$, unless otherwise stated. Tolerance on angles: $\pm 1^\circ$.

a Water flow in.

b Water flow out.

Figure A.2 — Example manifold dimensions — G 2 concentric meters

Annex B (normative)

Connection interfaces — Solutions for cartridge meters

B.1 Concentric cartridge meters

Figures B.1 to B.10 show connection interface types for concentric cartridge meters.

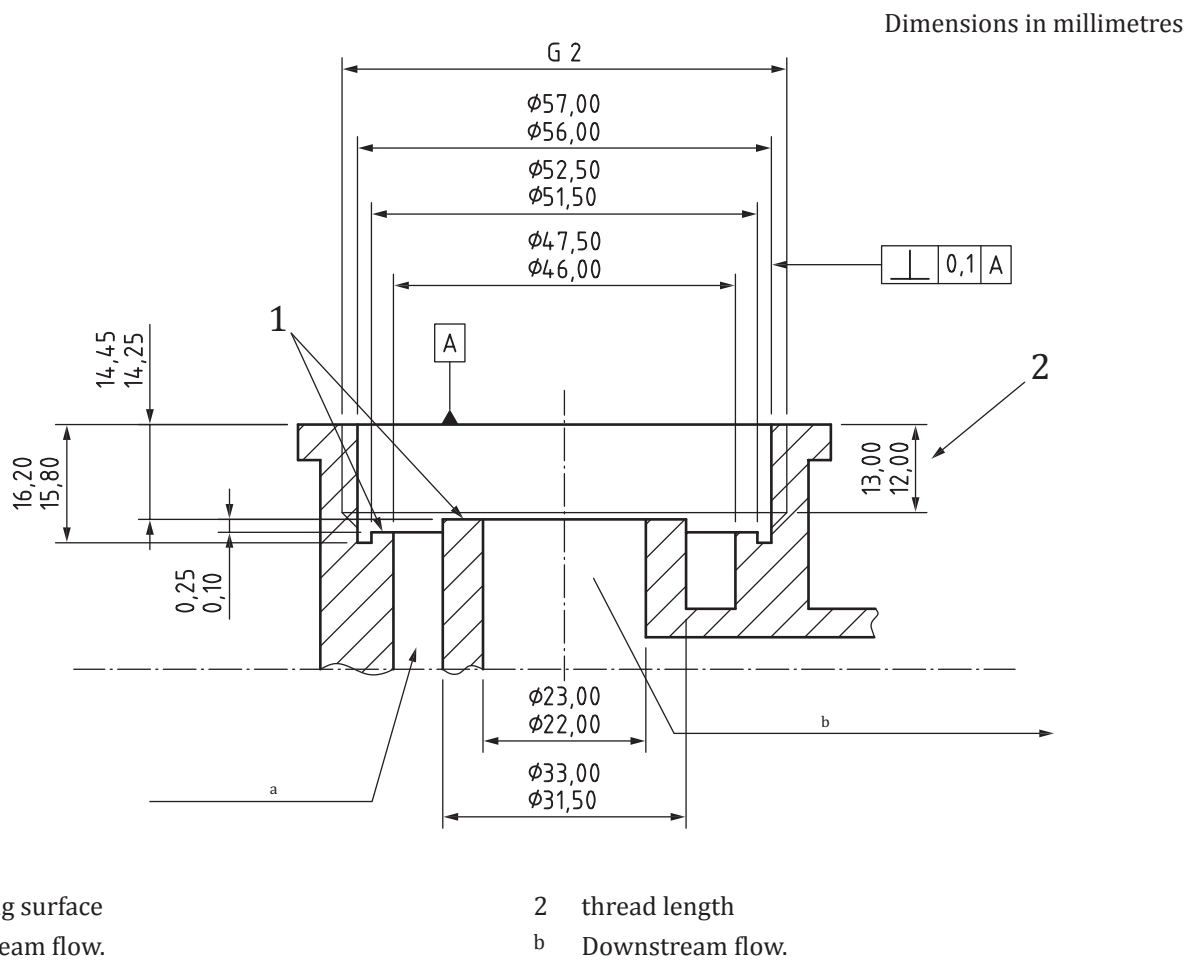
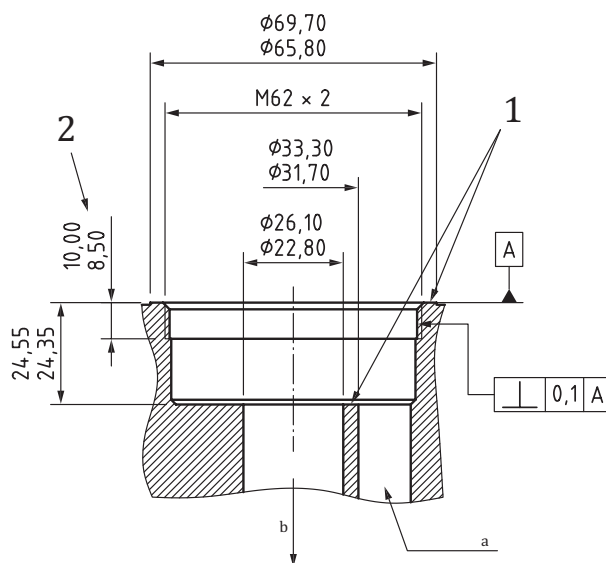


Figure B.1 — Connection interface — Type IST

Dimensions in millimetres

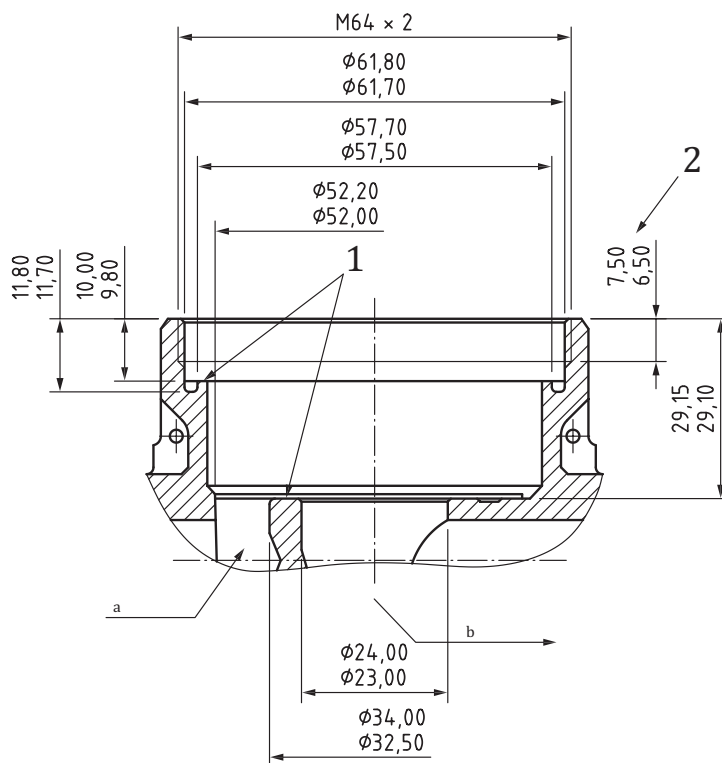


Key

- | | | | |
|---|-----------------|---|------------------|
| 1 | sealing surface | 2 | thread length |
| a | Upstream flow. | b | Downstream flow. |

Figure B.2 — Connection interface — Type TE1

Dimensions in millimetres

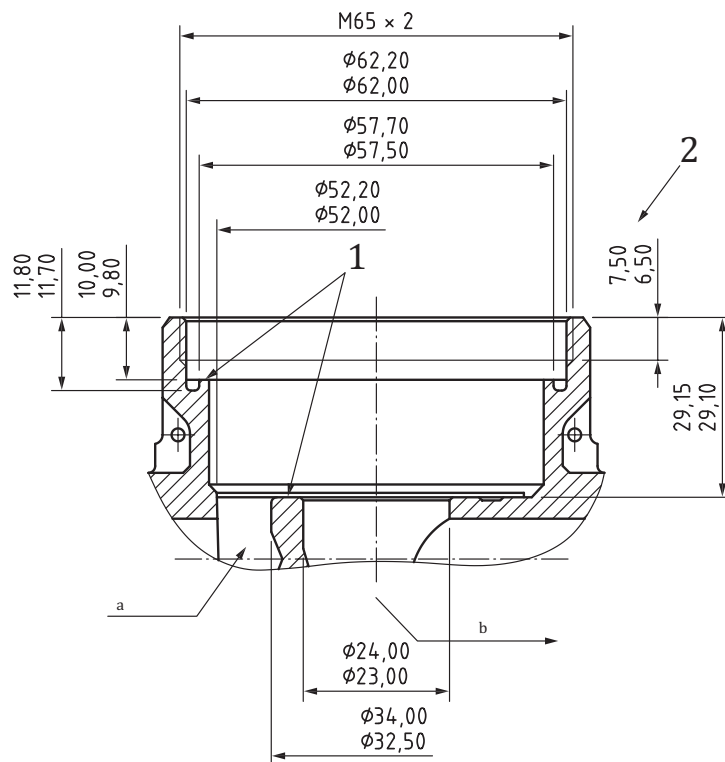


Key

- | | | | |
|---|-----------------|---|------------------|
| 1 | sealing surface | 2 | thread length |
| a | Upstream flow. | b | Downstream flow. |

Figure B.3 — Connection interface — Type MET

Dimensions in millimetres



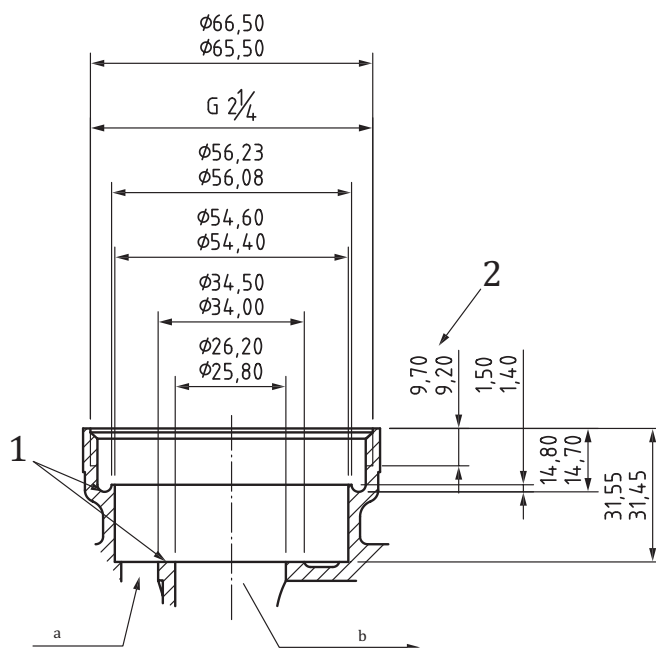
Key

1 sealing surface
 a Upstream flow.

2 thread length
 b Downstream flow.

Figure B.4 — Connection interface — Type MOC

Dimensions in millimetres

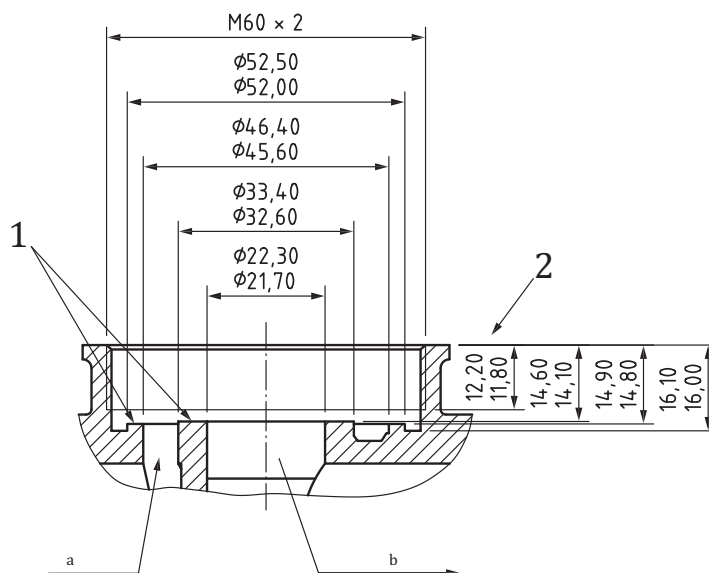


Key

- | | | | |
|---|-----------------|---|------------------|
| 1 | sealing surface | 2 | thread length |
| a | Upstream flow. | b | Downstream flow. |

Figure B.5 — Connection interface — Type MUK

Dimensions in millimetres

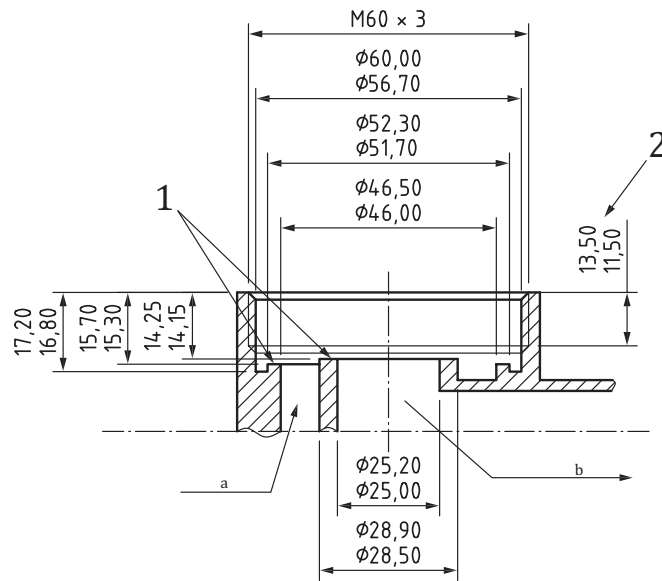


Key

- | | | | |
|---|-----------------|---|------------------|
| 1 | sealing surface | 2 | thread length |
| a | Upstream flow. | b | Downstream flow. |

Figure B.6 — Connection interface — Type PCC

Dimensions in millimetres



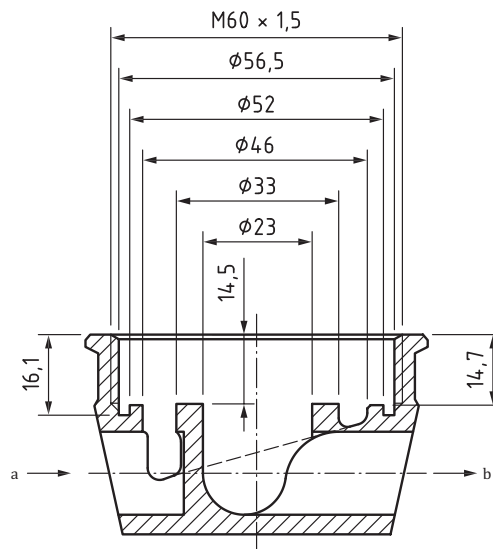
Key

- 1 sealing surface
- a Upstream flow.

- 2 thread length
- b Downstream flow.

Figure B.7 — Connection interface — Type Y01

Dimensions in millimetres



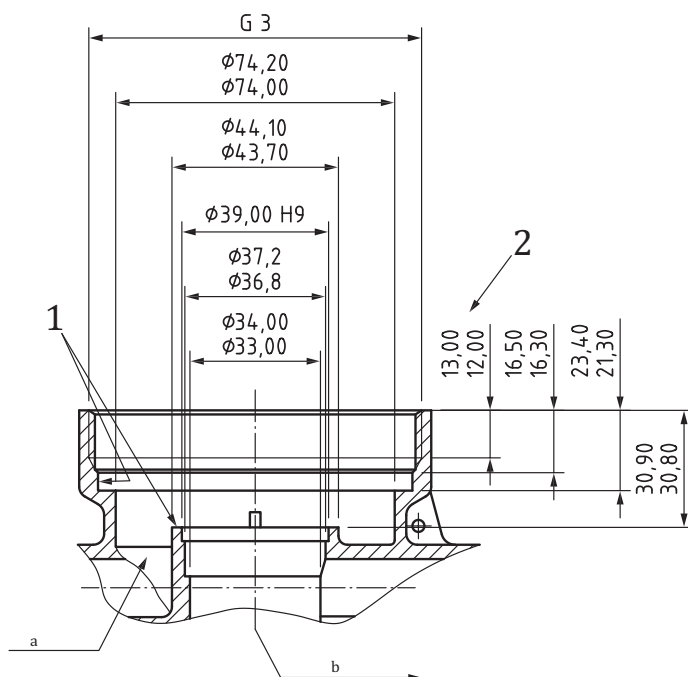
Key

- a Upstream flow.

- b Downstream flow.

Figure B.8 — Connection interface — Type M60

Dimensions in millimetres

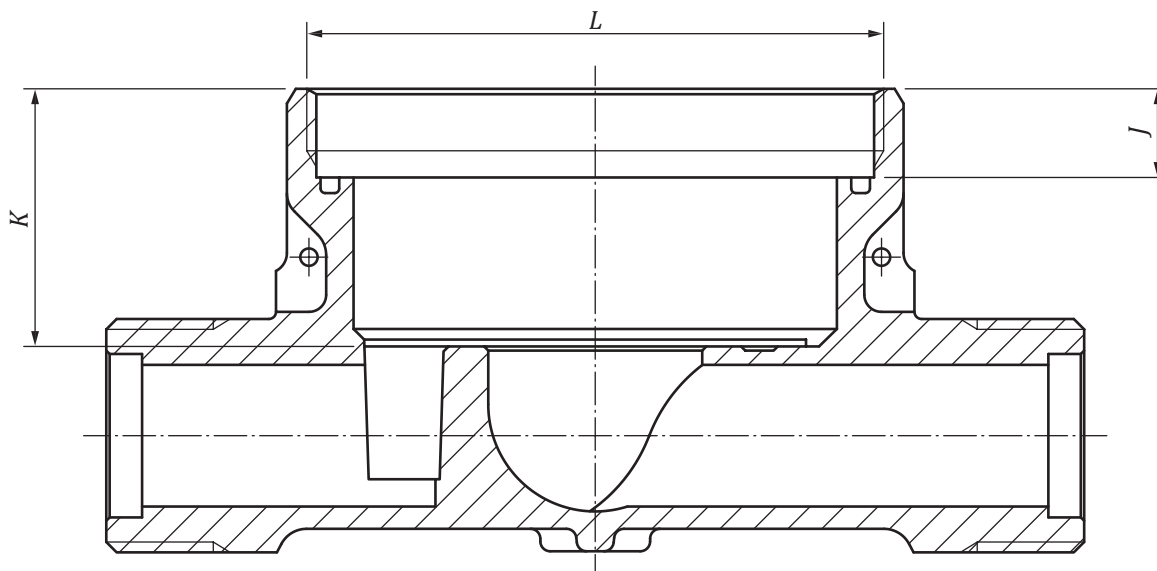


Key

- | | | | |
|---|-----------------|---|------------------|
| 1 | sealing surface | 2 | thread length |
| a | Upstream flow. | b | Downstream flow. |

Figure B.9 — Connection interface — Type CRI

Dimensions in millimetres



Key

L, J, K see [Table B.1](#)

Figure B.10 — Non-preferred connection interface solutions for installations in existing pipe fittings only

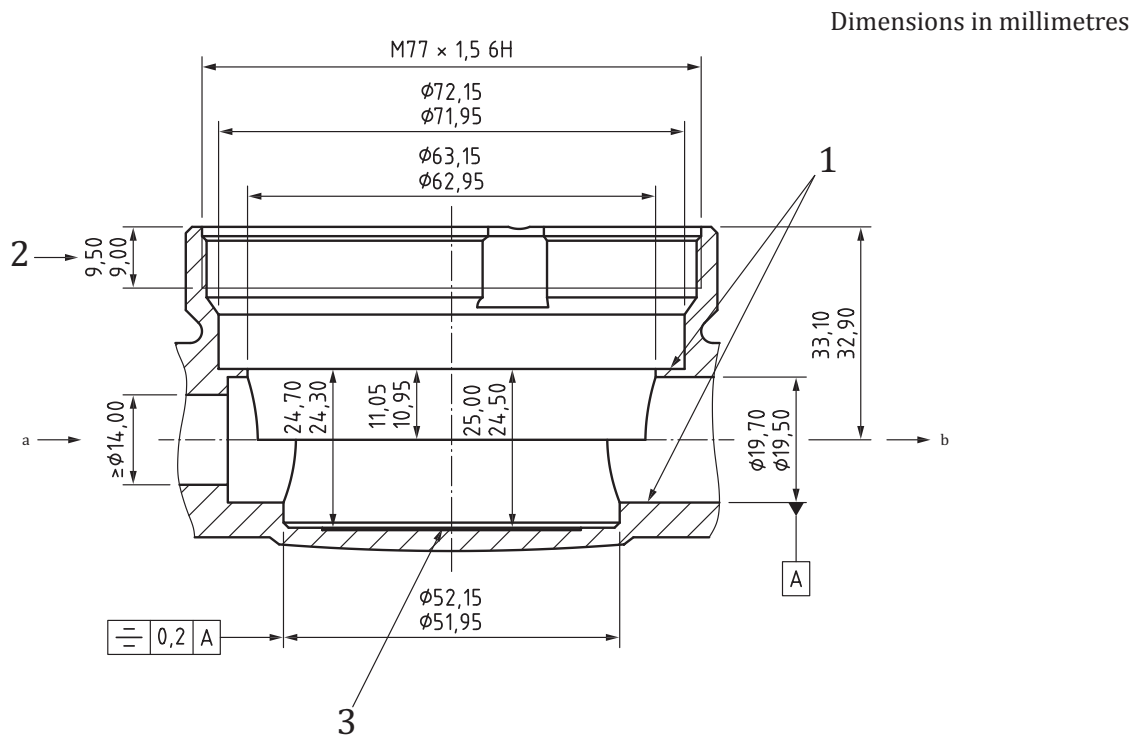
[Table B.1](#) gives dimensions of existing connection interfaces for concentric cartridge meters.

Table B.1 — Dimensions of existing connection interfaces for concentric cartridge meters

Dimensions in millimetres			
Type	<i>L</i>	<i>J</i>	<i>K</i>
MOE	M65 × 2	9,8 to 10	41,85 to 41,95

B.2 Axial cartridge meters

Figures B.11 to B.17 show connection interface types for axial cartridge meters.

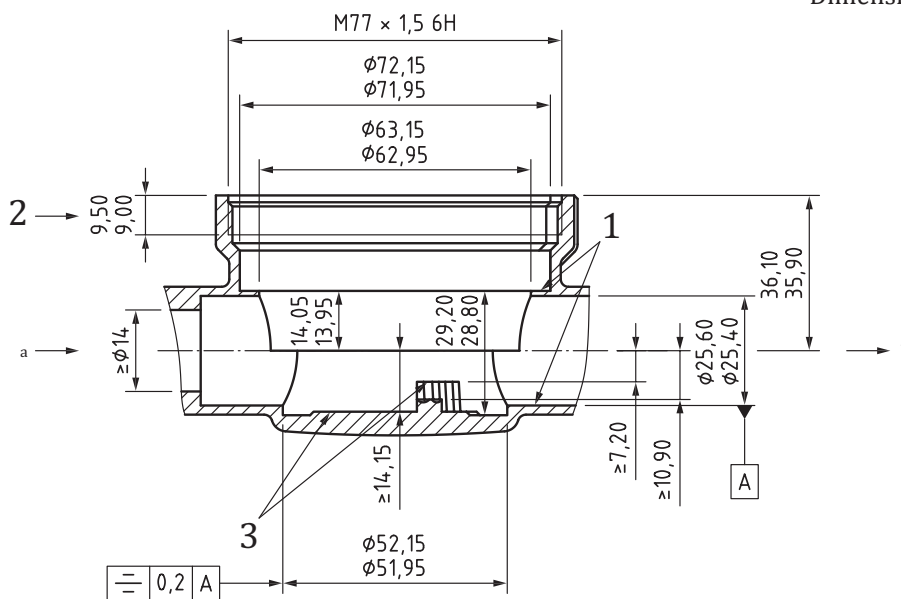


Key

- | | | | | | |
|---|-----------------|---|------------------|--|---------------------------------|
| 1 | sealing surface | 2 | thread length | 3 | area for specific marking, e.g. |
| a | Upstream flow. | b | Downstream flow. | A34 / → flow direction / manufacturer / 3/4" | |

Figure B.11 — Connection interface — Type A34

Dimensions in millimetres

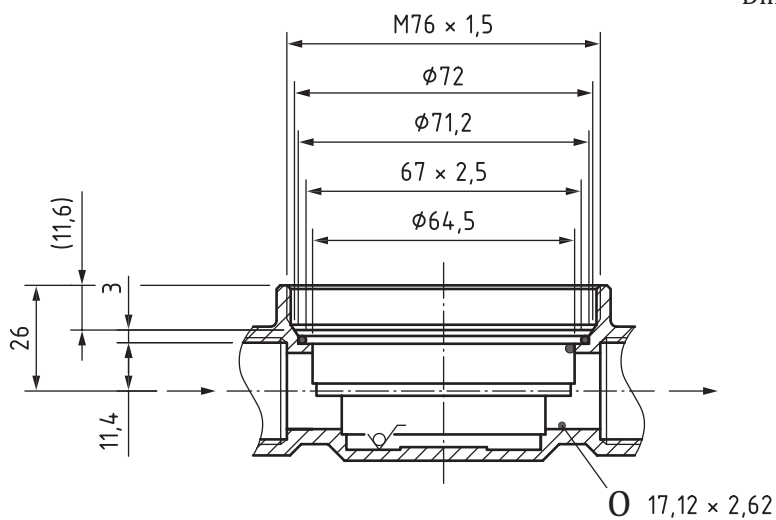


Key

- | | | | | | |
|---|-----------------|---|------------------|--------|------------------------------------|
| 1 | sealing surface | 2 | thread length | 3 | area for specific marking, e.g. |
| a | Upstream flow. | b | Downstream flow. | A1 / → | flow direction / manufacturer / 1" |

Figure B.12 — Connection interface — Type A1

Dimensions in millimetres

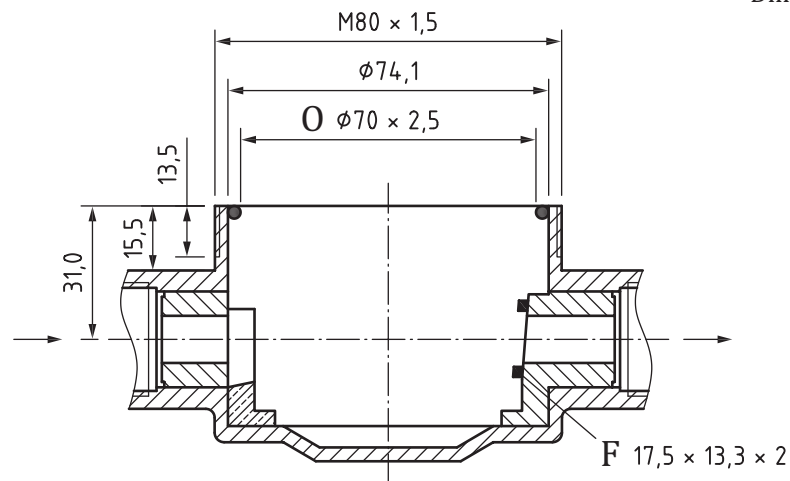


Key

- | | |
|---|---------------------------------|
| 0 | O-ring sealing or O-ring groove |
|---|---------------------------------|

Figure B.13 — Connection interface — Type MB3

Dimensions in millimetres



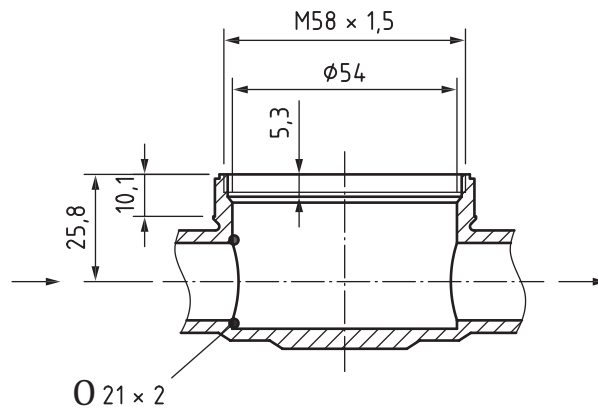
Key

F form-sealing

O O-ring sealing or O-ring groove

Figure B.14 — Connection interface — Type MB2

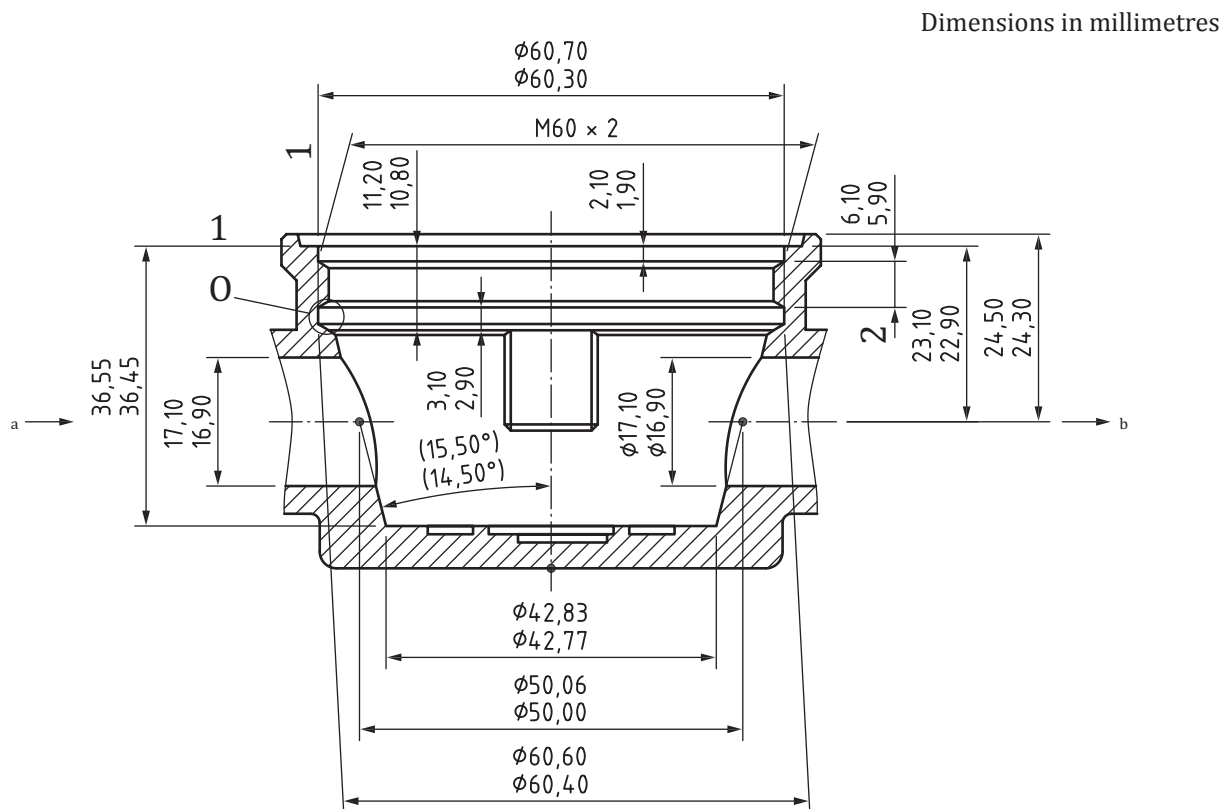
Dimensions in millimetres



Key

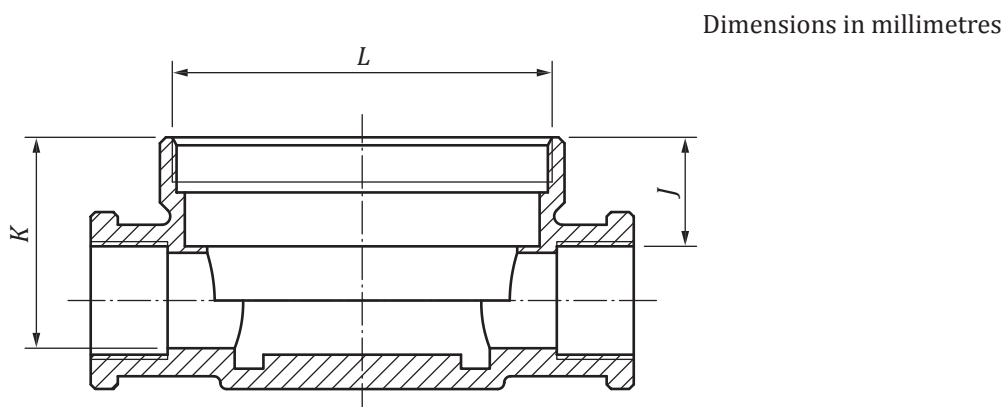
O O-ring sealing or O-ring groove

Figure B.15 — Connection interface — Type M7L



- Key**
- | | | | | | |
|---|-----------------|---|------------------|---|---------------------------------|
| 1 | sealing surface | 2 | thread length | O | O-ring sealing or O-ring groove |
| a | Upstream flow. | b | Downstream flow. | | |

Figure B.16 — Connection interface — Type DM1



- Key**
 L, J, K see [Table B.2](#)

**Figure B.17 — Non-preferred connection interface solutions
 For installations in existing pipe fittings only**

[Table B.2](#) gives dimensions of existing connection interfaces for axial cartridge meters.

Table B.2 — Dimensions of existing connection interfaces for axial cartridge meters

Dimensions in millimetres

Type	<i>L</i>	<i>J</i>	<i>K</i>
WE1	M78 × 1,5	15,50 to 15,55	38,50 to 38,55
HT1	M45 × 1,5	9,2 to 9,3	30,7 to 30,75
HT2	M66 × 1	7,7 to 7,8	31,8 to 31,9
WGU	M66 × 1,25	7,7 to 7,8	32,45 to 32,55

Annex C (informative)

Examples of adaptors and converters

Examples of adaptors and converters are shown in [Figures C.1](#) to [C.4](#).

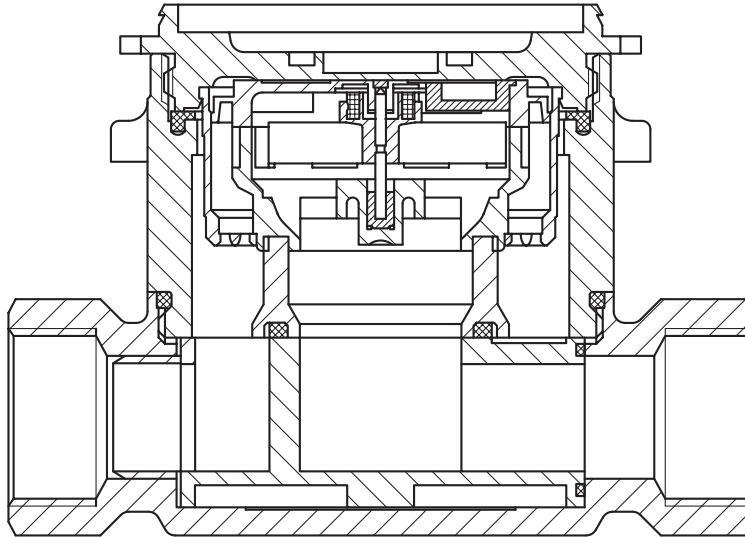


Figure C.1 — Adaptor conversion from the single jet principle to a concentric one, fitted on location during interchange of cartridge meter

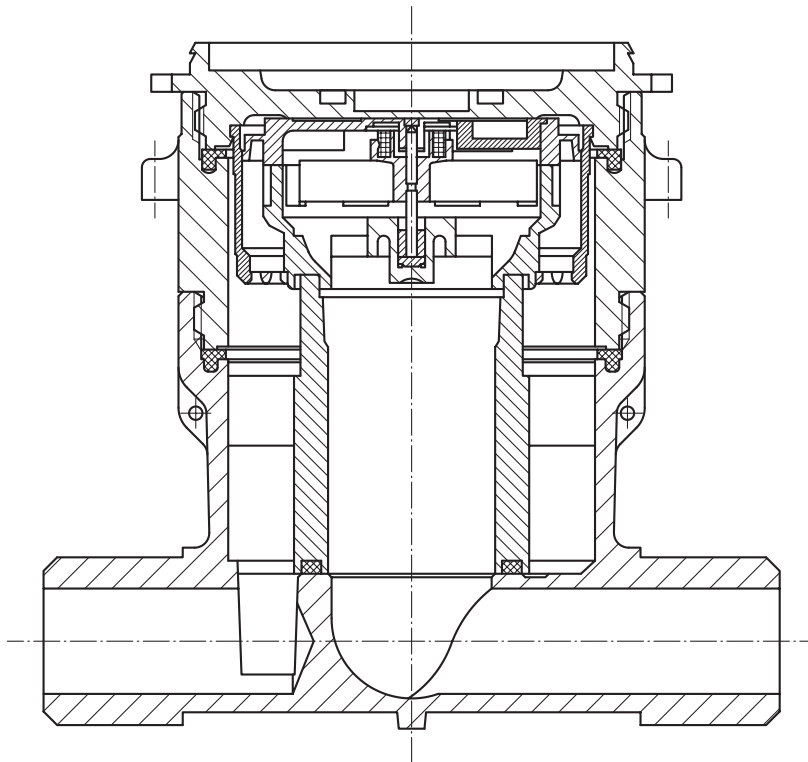


Figure C.2 — Converter — seat-depth extension

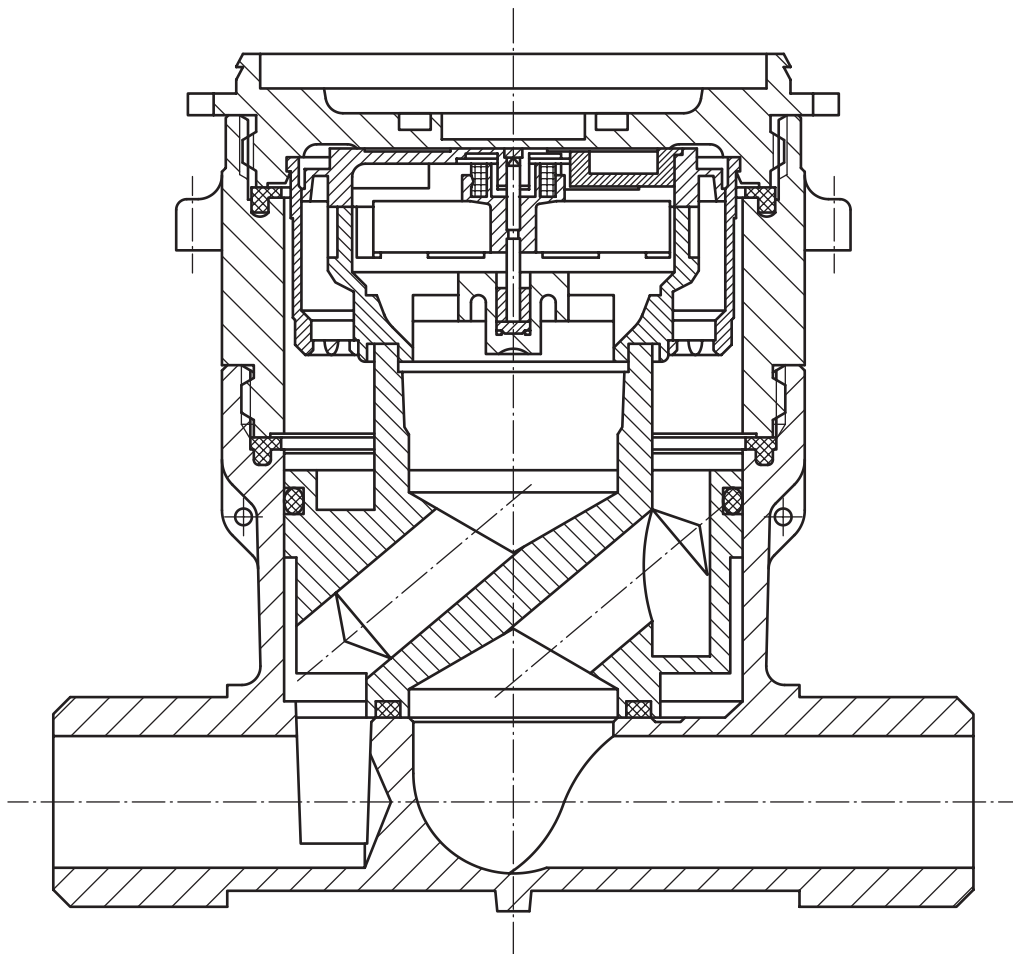


Figure C.3 — Convertor — change of flow direction

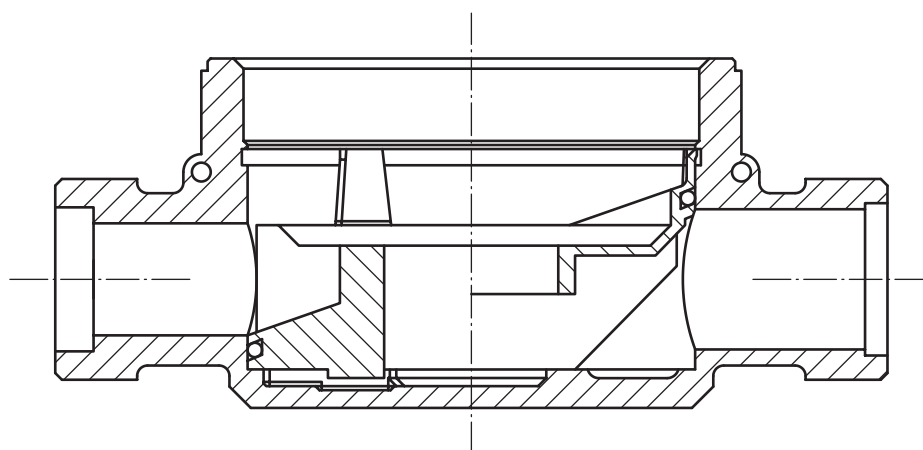


Figure C.4 — Convertor — change of flow pattern

Bibliography

- [1] ISO/IEC Guide 99:2007, *International vocabulary of metrology — Basic and general concepts and associated terms (VIM)*
- [2] OIML V 1:2013, *International vocabulary of terms in legal metrology (VIML)*
- [3] OIML D 11:2013, *General requirements for electronic measuring instruments — Environmental conditions*

British Standards Institution (BSI)

BSI is the national body responsible for preparing British Standards and other standards-related publications, information and services.

BSI is incorporated by Royal Charter. British Standards and other standardization products are published by BSI Standards Limited.

About us

We bring together business, industry, government, consumers, innovators and others to shape their combined experience and expertise into standards-based solutions.

The knowledge embodied in our standards has been carefully assembled in a dependable format and refined through our open consultation process. Organizations of all sizes and across all sectors choose standards to help them achieve their goals.

Information on standards

We can provide you with the knowledge that your organization needs to succeed. Find out more about British Standards by visiting our website at bsigroup.com/standards or contacting our Customer Services team or Knowledge Centre.

Buying standards

You can buy and download PDF versions of BSI publications, including British and adopted European and international standards, through our website at bsigroup.com/shop, where hard copies can also be purchased.

If you need international and foreign standards from other Standards Development Organizations, hard copies can be ordered from our Customer Services team.

Subscriptions

Our range of subscription services are designed to make using standards easier for you. For further information on our subscription products go to bsigroup.com/subscriptions.

With **British Standards Online (BSOL)** you'll have instant access to over 55,000 British and adopted European and international standards from your desktop. It's available 24/7 and is refreshed daily so you'll always be up to date.

You can keep in touch with standards developments and receive substantial discounts on the purchase price of standards, both in single copy and subscription format, by becoming a **BSI Subscribing Member**.

PLUS is an updating service exclusive to BSI Subscribing Members. You will automatically receive the latest hard copy of your standards when they're revised or replaced.

To find out more about becoming a BSI Subscribing Member and the benefits of membership, please visit bsigroup.com/shop.

With a **Multi-User Network Licence (MUNL)** you are able to host standards publications on your intranet. Licences can cover as few or as many users as you wish. With updates supplied as soon as they're available, you can be sure your documentation is current. For further information, email bsmusales@bsigroup.com.

BSI Group Headquarters

389 Chiswick High Road London W4 4AL UK

Revisions

Our British Standards and other publications are updated by amendment or revision.

We continually improve the quality of our products and services to benefit your business. If you find an inaccuracy or ambiguity within a British Standard or other BSI publication please inform the Knowledge Centre.

Copyright

All the data, software and documentation set out in all British Standards and other BSI publications are the property of and copyrighted by BSI, or some person or entity that owns copyright in the information used (such as the international standardization bodies) and has formally licensed such information to BSI for commercial publication and use. Except as permitted under the Copyright, Designs and Patents Act 1988 no extract may be reproduced, stored in a retrieval system or transmitted in any form or by any means – electronic, photocopying, recording or otherwise – without prior written permission from BSI. Details and advice can be obtained from the Copyright & Licensing Department.

Useful Contacts:

Customer Services

Tel: +44 845 086 9001

Email (orders): orders@bsigroup.com

Email (enquiries): cservices@bsigroup.com

Subscriptions

Tel: +44 845 086 9001

Email: subscriptions@bsigroup.com

Knowledge Centre

Tel: +44 20 8996 7004

Email: knowledgecentre@bsigroup.com

Copyright & Licensing

Tel: +44 20 8996 7070

Email: copyright@bsigroup.com



...making excellence a habit.™