

BS EN ISO 2702:2011



BSI Standards Publication

Heat-treated steel tapping screws — Mechanical properties (ISO 2702:2011)

bsi.

...making excellence a habit.™

National foreword

This British Standard is the UK implementation of EN ISO 2702:2011. It supersedes BS EN ISO 2702:1995 which is withdrawn.

The UK participation in its preparation was entrusted to Technical Committee FME/9/3, Fasteners - Product Standards.

A list of organizations represented on this committee can be obtained on request to its secretary.

This publication does not purport to include all the necessary provisions of a contract. Users are responsible for its correct application.

© BSI 2011

ISBN 978 0 580 68775 4

ICS 21.060.10

Compliance with a British Standard cannot confer immunity from legal obligations.

This British Standard was published under the authority of the Standards Policy and Strategy Committee on 31 May 2011.

Amendments issued since publication

Date	Text affected
------	---------------

EUROPEAN STANDARD

EN ISO 2702

NORME EUROPÉENNE

EUROPÄISCHE NORM

May 2011

ICS 21.060.10

Supersedes EN ISO 2702:1994

English Version

Heat-treated steel tapping screws - Mechanical properties (ISO 2702:2011)

Vis à tôle en acier traité thermiquement - Caractéristiques mécaniques (ISO 2702:2011)

Wärmebehandelte Blechschrauben aus Stahl - Mechanische Eigenschaften (ISO 2702:2011)

This European Standard was approved by CEN on 28 April 2011.

CEN members are bound to comply with the CEN/CENELEC Internal Regulations which stipulate the conditions for giving this European Standard the status of a national standard without any alteration. Up-to-date lists and bibliographical references concerning such national standards may be obtained on application to the CEN-CENELEC Management Centre or to any CEN member.

This European Standard exists in three official versions (English, French, German). A version in any other language made by translation under the responsibility of a CEN member into its own language and notified to the CEN-CENELEC Management Centre has the same status as the official versions.

CEN members are the national standards bodies of Austria, Belgium, Bulgaria, Croatia, Cyprus, Czech Republic, Denmark, Estonia, Finland, France, Germany, Greece, Hungary, Iceland, Ireland, Italy, Latvia, Lithuania, Luxembourg, Malta, Netherlands, Norway, Poland, Portugal, Romania, Slovakia, Slovenia, Spain, Sweden, Switzerland and United Kingdom.



EUROPEAN COMMITTEE FOR STANDARDIZATION
COMITÉ EUROPÉEN DE NORMALISATION
EUROPÄISCHES KOMITEE FÜR NORMUNG

Management Centre: Avenue Marnix 17, B-1000 Brussels

Foreword

This document (EN ISO 2702:2011) has been prepared by Technical Committee ISO/TC 2 "Fasteners" in collaboration with Technical Committee CEN/TC 185 "Fasteners" the secretariat of which is held by DIN.

This European Standard shall be given the status of a national standard, either by publication of an identical text or by endorsement, at the latest by November 2011, and conflicting national standards shall be withdrawn at the latest by November 2011.

Attention is drawn to the possibility that some of the elements of this document may be the subject of patent rights. CEN [and/or CENELEC] shall not be held responsible for identifying any or all such patent rights.

This document supersedes EN ISO 2702:1994.

According to the CEN/CENELEC Internal Regulations, the national standards organizations of the following countries are bound to implement this European Standard: Austria, Belgium, Bulgaria, Croatia, Cyprus, Czech Republic, Denmark, Estonia, Finland, France, Germany, Greece, Hungary, Iceland, Ireland, Italy, Latvia, Lithuania, Luxembourg, Malta, Netherlands, Norway, Poland, Portugal, Romania, Slovakia, Slovenia, Spain, Sweden, Switzerland and the United Kingdom.

Endorsement notice

The text of ISO 2702:2011 has been approved by CEN as a EN ISO 2702:2011 without any modification.

Foreword

ISO (the International Organization for Standardization) is a worldwide federation of national standards bodies (ISO member bodies). The work of preparing International Standards is normally carried out through ISO technical committees. Each member body interested in a subject for which a technical committee has been established has the right to be represented on that committee. International organizations, governmental and non-governmental, in liaison with ISO, also take part in the work. ISO collaborates closely with the International Electrotechnical Commission (IEC) on all matters of electrotechnical standardization.

International Standards are drafted in accordance with the rules given in the ISO/IEC Directives, Part 2.

The main task of technical committees is to prepare International Standards. Draft International Standards adopted by the technical committees are circulated to the member bodies for voting. Publication as an International Standard requires approval by at least 75 % of the member bodies casting a vote.

Attention is drawn to the possibility that some of the elements of this document may be the subject of patent rights. ISO shall not be held responsible for identifying any or all such patent rights.

ISO 2702 was prepared by Technical Committee ISO/TC 2, *Fasteners*, Subcommittee SC 13, *Fasteners with non-metric thread*.

This third edition cancels and replaces the second edition (ISO 2702:1992), which has been technically revised. In particular, the following modifications have been carried out:

- a) the Scope was expended to ST9,5;
- b) the maximum core hardness was reduced from 390 HV to 370 HV (see 4.1.3);
- c) reference to ISO 898-7 concerning torque-measuring device was added (see 6.2.2).

Introduction

The primary objective of this International Standard is to ensure that tapping screws form mating threads in materials into which they are normally driven without deforming their own thread and without breaking during assembly or service.

Heat-treated steel tapping screws — Mechanical properties

1 Scope

This International Standard specifies the characteristics of heat-treated steel tapping screws, with tapping screw thread from ST2,2 to ST9,5 inclusive according to ISO 1478, together with the corresponding test methods.

2 Normative references

The following referenced documents are indispensable for the application of this document. For dated references, only the edition cited applies. For undated references, the latest edition of the referenced document (including any amendments) applies.

ISO 898-7:1992, *Mechanical properties of fasteners — Part 7: Torsional test and minimum torques for bolts and screws with nominal diameters 1 mm to 10 mm*

ISO 6507-1, *Metallic materials — Vickers hardness test — Part 1: Test method*

3 Materials

Tapping screws shall be made from cold heading, case hardening quality steel.

4 Requirements

4.1 Metallurgical requirements

4.1.1 Surface hardness

The minimum surface hardness after heat treatment shall be 450 HV 0,3 (see ISO 6507-1).

4.1.2 Case depth

The case depth shall conform to the values given in Table 1.

Table 1 — Case depth

Dimensions in millimetres

Thread	Case depth	
	min.	max.
ST2,2, ST2,6	0,04	0,10
ST2,9, ST3,3, ST3,5	0,05	0,18
ST3,9, ST4,2, ST4,8, ST5,5	0,10	0,23
ST6,3, ST8, ST9,5	0,15	0,28

4.1.3 Core hardness

The core hardness after heat treatment shall be

270 HV 5 to 370 HV 5 for threads \leq ST3,9, and

270 HV 10 to 370 HV 10 for threads \geq ST4,2.

4.1.4 Microstructure

The microstructure shall show no band of free ferrite between the case and core.

4.2 Mechanical requirements

4.2.1 Thread-forming capability

Tapping screws shall form a mating thread without deforming their own thread when driven into a test plate, in accordance with 6.2.1.

4.2.2 Torsional strength

Tapping screws shall have a torsional strength such that the torque necessary to cause failure, when tested in accordance with 6.2.2, shall equal or exceed the minimum torque values given in Table 3 for the applicable screw threads.

5 Acceptance

For routine acceptance tests, the drive test, torsional test and core hardness test may be used, but for referee purposes all requirements specified in this International Standard shall be satisfied.

6 Test methods

6.1 Test methods for the metallurgical requirements

6.1.1 Surface hardness test

The Vickers hardness test shall be carried out in accordance with ISO 6507-1.

The impression of the pyramid shall be made on a flat face, preferably on the screw head.

6.1.2 Case depth — Microscopic test

Case depth shall be measured at the thread flank mid-point between crest and root or, in the case of smaller tapping screws up to ST3,9, in the root of the thread.

For referee purposes, a micro hardness plot shall be made using a Vickers indenter and a 300 g load on the thread profile of a properly prepared metallographic specimen. The case depth shall be the point at which the hardness recorded is 30 HV above the actual core hardness.

6.1.3 Core hardness test

The Vickers core hardness test shall be carried out in accordance with ISO 6507-1 at the mid-radius of a transverse section through the screw taken at a distance sufficiently behind the point of the screw to be through the full minor diameter.

6.1.4 Microstructure test

The microstructure test shall be carried out by metallographic examination.

6.2 Test methods for the mechanical requirements

6.2.1 Drive test

The sample screw (coated or uncoated, as received) shall be driven into a test plate until a thread of full diameter is completely through the test plate.

The test plate shall be made from low carbon steel with a carbon content not exceeding 0,23 %. The hardness of the plate shall be 130 HV to 170 HV measured in accordance with ISO 6507-1. The thickness of the plate shall conform to the values given in Table 2.

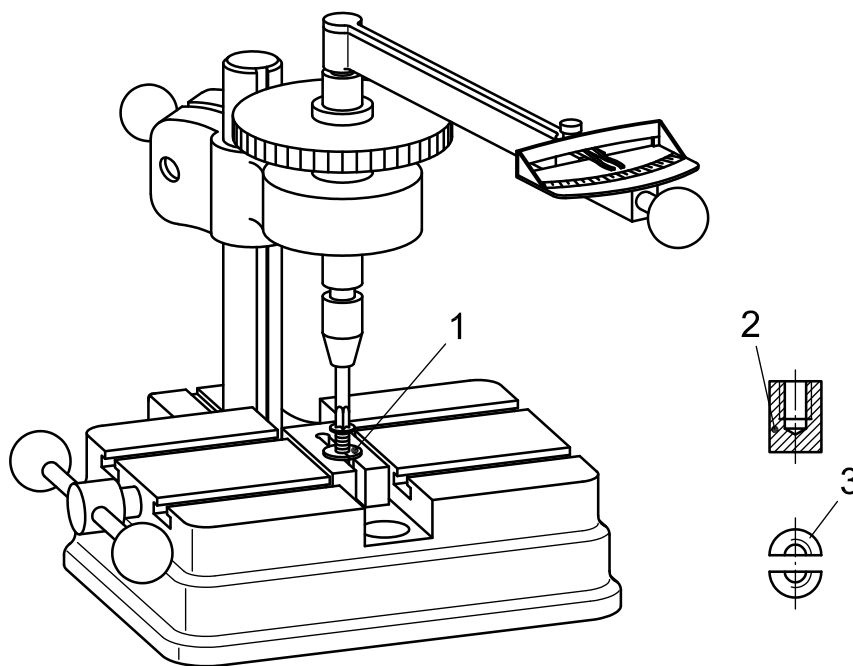
The test hole shall be drilled, or punched and redrilled, or reamed to the hole diameter specified in Table 2 for the size of screw being tested.

Table 2 — Standard test plate thickness and hole diameter for drive test

Dimensions in millimetres

Thread	Plate thickness		Hole diameter	
	min.	max.	min.	max.
ST2,2	1,17	1,30	1,905	1,955
ST2,6	1,17	1,30	2,185	2,235
ST2,9	1,17	1,30	2,415	2,465
ST3,3	1,17	1,30	2,68	2,73
ST3,5	1,85	2,06	2,92	2,97
ST3,9	1,85	2,06	3,24	3,29
ST4,2	1,85	2,06	3,43	3,48
ST4,8	3,10	3,23	4,015	4,065
ST5,5	3,10	3,23	4,735	4,785
ST6,3	4,67	5,05	5,475	5,525
ST8	4,67	5,05	6,885	6,935
ST9,5	4,67	5,05	8,270	8,330

In cases where screws are plated subsequent to delivery to the purchaser (or where plating of screws is otherwise under the control of the purchaser), the producer is not responsible for failure due to plating. In such cases, the screw manufacturer can only be held responsible if it is proved that the failure is not due to any post-treatment. Screws from which the plating has been stripped off cannot be considered as samples.



Key

- 1 split threaded die or threaded insert
- 2 threaded insert with a blind hole
- 3 split threaded die

Figure 1 — Torsional test apparatus

6.2.2 Torsional strength test

The shank of the sample screw (coated or uncoated, as received) shall be clamped in a mating, split, threaded die or other device so that the clamped portion of the screw is not damaged and at least two full threads project above the clamping device and at least two full-form threads exclusive of point are held within the clamping device. A threaded insert with a blind hole may be used in place of the clamping device (see Figure 1) provided the hole depth is such as to ensure that breakage occurs beyond the point.

By means of a suitable calibrated torque-measuring device (in accordance with ISO 898-7:1992, 3.2.2), torque shall be applied to the screw until failure occurs. The screw shall meet the minimum torsional strength requirements given in Table 3.

Table 3 — Torsional strength

Thread	Minimum torsional strength
	N·m
ST2,2	0,45
ST2,6	0,9
ST2,9	1,5
ST3,3	2,0
ST3,5	2,7
ST3,9	3,4
ST4,2	4,4
ST4,8	6,3
ST5,5	10,0
ST6,3	13,6
ST8	30,5
ST9,5	68,0

Bibliography

- [1] ISO 1478, *Tapping screws thread*

British Standards Institution (BSI)

BSI is the national body responsible for preparing British Standards and other standards-related publications, information and services.

BSI is incorporated by Royal Charter. British Standards and other standardization products are published by BSI Standards Limited.

About us

We bring together business, industry, government, consumers, innovators and others to shape their combined experience and expertise into standards-based solutions.

The knowledge embodied in our standards has been carefully assembled in a dependable format and refined through our open consultation process. Organizations of all sizes and across all sectors choose standards to help them achieve their goals.

Information on standards

We can provide you with the knowledge that your organization needs to succeed. Find out more about British Standards by visiting our website at bsigroup.com/standards or contacting our Customer Services team or Knowledge Centre.

Buying standards

You can buy and download PDF versions of BSI publications, including British and adopted European and international standards, through our website at bsigroup.com/shop, where hard copies can also be purchased.

If you need international and foreign standards from other Standards Development Organizations, hard copies can be ordered from our Customer Services team.

Subscriptions

Our range of subscription services are designed to make using standards easier for you. For further information on our subscription products go to bsigroup.com/subscriptions.

With **British Standards Online (BSOL)** you'll have instant access to over 55,000 British and adopted European and international standards from your desktop. It's available 24/7 and is refreshed daily so you'll always be up to date.

You can keep in touch with standards developments and receive substantial discounts on the purchase price of standards, both in single copy and subscription format, by becoming a **BSI Subscribing Member**.

PLUS is an updating service exclusive to BSI Subscribing Members. You will automatically receive the latest hard copy of your standards when they're revised or replaced.

To find out more about becoming a BSI Subscribing Member and the benefits of membership, please visit bsigroup.com/shop.

With a **Multi-User Network Licence (MUNL)** you are able to host standards publications on your intranet. Licences can cover as few or as many users as you wish. With updates supplied as soon as they're available, you can be sure your documentation is current. For further information, email bsmusales@bsigroup.com.

BSI Group Headquarters

389 Chiswick High Road London W4 4AL UK

Revisions

Our British Standards and other publications are updated by amendment or revision.

We continually improve the quality of our products and services to benefit your business. If you find an inaccuracy or ambiguity within a British Standard or other BSI publication please inform the Knowledge Centre.

Copyright

All the data, software and documentation set out in all British Standards and other BSI publications are the property of and copyrighted by BSI, or some person or entity that owns copyright in the information used (such as the international standardization bodies) and has formally licensed such information to BSI for commercial publication and use. Except as permitted under the Copyright, Designs and Patents Act 1988 no extract may be reproduced, stored in a retrieval system or transmitted in any form or by any means – electronic, photocopying, recording or otherwise – without prior written permission from BSI. Details and advice can be obtained from the Copyright & Licensing Department.

Useful Contacts:

Customer Services

Tel: +44 845 086 9001

Email (orders): orders@bsigroup.com

Email (enquiries): cservices@bsigroup.com

Subscriptions

Tel: +44 845 086 9001

Email: subscriptions@bsigroup.com

Knowledge Centre

Tel: +44 20 8996 7004

Email: knowledgecentre@bsigroup.com

Copyright & Licensing

Tel: +44 20 8996 7070

Email: copyright@bsigroup.com



...making excellence a habit.™