



BSI Standards Publication

Mechanical properties of fasteners made of carbon steel and alloy steel

Part 5: Set screws and similar threaded fasteners with specified hardness classes — Coarse thread and fine pitch thread (ISO 898-5:2012)

National foreword

This British Standard is the UK implementation of EN ISO 898-5:2012. It supersedes BS EN ISO 898-5:1999 which is withdrawn.

The UK participation in its preparation was entrusted to Technical Committee FME/9/1, Fasteners - Mechanical properties.

A list of organizations represented on this committee can be obtained on request to its secretary.

This publication does not purport to include all the necessary provisions of a contract. Users are responsible for its correct application.

© The British Standards Institution 2012. Published by BSI Standards Limited 2012

ISBN 978 0 580 70352 2

ICS 21.060.10

Compliance with a British Standard cannot confer immunity from legal obligations.

This British Standard was published under the authority of the Standards Policy and Strategy Committee on 30 June 2012.

Amendments issued since publication

Date	Text affected
------	---------------

English Version

Mechanical properties of fasteners made of carbon steel and alloy steel - Part 5: Set screws and similar threaded fasteners with specified hardness classes - Coarse thread and fine pitch thread (ISO 898-5:2012)

Caractéristiques mécaniques des éléments de fixation en acier au carbone et en acier allié - Partie 5: Vis sans tête et éléments de fixation filetés similaires de classes de dureté spécifiées - Filetages à pas gros et filetages à pas fin (ISO 898-5:2012)

Mechanische Eigenschaften von Verbindungselementen aus Kohlenstoffstahl und legiertem Stahl - Teil 5: Gewindestifte und ähnliche Verbindungselemente mit Gewinde in festgelegten Härteklassen - Regelgewinde und Feingewinde (ISO 898-5:2012)

This European Standard was approved by CEN on 31 May 2012.

CEN members are bound to comply with the CEN/CENELEC Internal Regulations which stipulate the conditions for giving this European Standard the status of a national standard without any alteration. Up-to-date lists and bibliographical references concerning such national standards may be obtained on application to the CEN-CENELEC Management Centre or to any CEN member.

This European Standard exists in three official versions (English, French, German). A version in any other language made by translation under the responsibility of a CEN member into its own language and notified to the CEN-CENELEC Management Centre has the same status as the official versions.

CEN members are the national standards bodies of Austria, Belgium, Bulgaria, Croatia, Cyprus, Czech Republic, Denmark, Estonia, Finland, France, Germany, Greece, Hungary, Iceland, Ireland, Italy, Latvia, Lithuania, Luxembourg, Malta, Netherlands, Norway, Poland, Portugal, Romania, Slovakia, Slovenia, Spain, Sweden, Switzerland, Turkey and United Kingdom.



EUROPEAN COMMITTEE FOR STANDARDIZATION
COMITÉ EUROPÉEN DE NORMALISATION
EUROPÄISCHES KOMITEE FÜR NORMUNG

Management Centre: Avenue Marnix 17, B-1000 Brussels

Foreword

This document (EN ISO 898-5:2012) has been prepared by Technical Committee ISO/TC 2 "Fasteners" in collaboration with Technical Committee CEN/TC 185 "Fasteners" the secretariat of which is held by DIN.

This European Standard shall be given the status of a national standard, either by publication of an identical text or by endorsement, at the latest by December 2012, and conflicting national standards shall be withdrawn at the latest by December 2012.

Attention is drawn to the possibility that some of the elements of this document may be the subject of patent rights. CEN [and/or CENELEC] shall not be held responsible for identifying any or all such patent rights.

This document supersedes EN ISO 898-5:1998.

According to the CEN/CENELEC Internal Regulations, the national standards organisations of the following countries are bound to implement this European Standard: Austria, Belgium, Bulgaria, Croatia, Cyprus, Czech Republic, Denmark, Estonia, Finland, France, Germany, Greece, Hungary, Iceland, Ireland, Italy, Latvia, Lithuania, Luxembourg, Malta, Netherlands, Norway, Poland, Portugal, Romania, Slovakia, Slovenia, Spain, Sweden, Switzerland, Turkey and the United Kingdom.

Endorsement notice

The text of ISO 898-5:2012 has been approved by CEN as a EN ISO 898-5:2012 without any modification.

Contents

Page

Foreword	iv
1 Scope	1
2 Normative references	1
3 Terms and definitions	2
4 Symbols and abbreviated terms	2
5 Designation system	3
6 Materials	3
7 Mechanical and physical properties	4
8 Applicability of test methods	5
8.1 Manufacturer's inspection	5
8.2 Supplier's inspection	5
8.3 Purchaser's inspection	5
9 Test methods	6
9.1 Hardness test	6
9.2 Decarburization test	7
9.3 Carburization test	10
9.4 Proof torque test for hexagonal socket set screws and hexalobular socket set screws of hardness class 45H	11
10 Marking	13
10.1 General	13
10.2 Manufacturer's identification mark	13
10.3 Marking set screws with hardness class	13
10.4 Marking of packages	13
Annex A (informative) Hydrogen embrittlement relief after electroplating of set screws	14
Bibliography	15

Foreword

ISO (the International Organization for Standardization) is a worldwide federation of national standards bodies (ISO member bodies). The work of preparing International Standards is normally carried out through ISO technical committees. Each member body interested in a subject for which a technical committee has been established has the right to be represented on that committee. International organizations, governmental and non-governmental, in liaison with ISO, also take part in the work. ISO collaborates closely with the International Electrotechnical Commission (IEC) on all matters of electrotechnical standardization.

International Standards are drafted in accordance with the rules given in the ISO/IEC Directives, Part 2.

The main task of technical committees is to prepare International Standards. Draft International Standards adopted by the technical committees are circulated to the member bodies for voting. Publication as an International Standard requires approval by at least 75 % of the member bodies casting a vote.

Attention is drawn to the possibility that some of the elements of this document may be the subject of patent rights. ISO shall not be held responsible for identifying any or all such patent rights.

ISO 898-5 was prepared by Technical Committee ISO/TC 2, *Fastener*, Subcommittee SC 11, *Fasteners with metric external thread*.

This third edition cancels and replaces the second edition (ISO 898-5:1998), which has been technically revised.

ISO 898 consists of the following parts, under the general title *Mechanical properties of fasteners made of carbon steel and alloy steel*:

- *Part 1: Bolts, screws and studs with specified property classes — Coarse thread and fine pitch thread*
- *Part 2: Nuts with specified property classes — Coarse thread and fine pitch thread*
- *Part 5: Set screws and similar threaded fasteners with specified hardness classes — Coarse thread and fine pitch thread*
- *Part 6: Nuts with specified proof load values — Fine pitch thread*
- *Part 7: Torsional test and minimum torques for bolts and screws with nominal diameters 1 mm to 10 mm*

Mechanical properties of fasteners made of carbon steel and alloy steel —

Part 5: Set screws and similar threaded fasteners with specified hardness classes — Coarse thread and fine pitch thread

1 Scope

This part of ISO 898 specifies mechanical and physical properties of set screws and similar threaded fasteners made of carbon steel or alloy steel when tested at an ambient temperature range of 10 °C to 35 °C. Fasteners (the term used when set screws and similar threaded fasteners are considered all together) which conform to the requirements of this part of ISO 898 are evaluated at that ambient temperature range.

Fasteners in conformance with this part of ISO 898 are classified to specified hardness classes and are intended for use under compressive stress only.

NOTE Fasteners conforming to the requirements of this part of ISO 898 are used in applications ranging from –50 °C to +150 °C. It is the responsibility of users to consult an experienced fastener metallurgist for temperatures outside the range of –50 °C to +150 °C and up to a maximum temperature of +300 °C when determining appropriate choices for a given application.

This part of ISO 898 is applicable to set screws and similar threaded fasteners:

- made of carbon steel or alloy steel,
- having a triangular ISO metric screw thread in conformance with ISO 68-1,
- with a coarse pitch thread of M1,6 to M30, and a fine pitch thread of M8×1 to M30×2,
- with diameter/pitch combinations in conformance with ISO 261 and ISO 262, and
- having thread tolerances in conformance with ISO 965-1 and ISO 965-2.

It does not specify requirements for such properties as

- tensile strength,
- shear strength,
- weldability,
- corrosion resistance, or
- the ability to withstand temperatures above +150 °C or below –50 °C.

2 Normative references

The following referenced documents are indispensable for the application of this document. For dated references, only the edition cited applies. For undated references, the latest edition of the referenced document (including any amendments) applies.

ISO 225, *Fasteners — Bolts, screws, studs and nuts — Symbols and descriptions of dimensions*

ISO 965-1, *ISO general-purpose metric screw threads — Tolerances — Part 1: Principles and basic data*

ISO 965-3, *ISO general purpose metric screw threads — Tolerances — Part 3: Deviations for constructional screw threads*

ISO 6157-1, *Fasteners — Surface discontinuities — Part 1: Bolts, screws and studs for general requirements*

ISO 6506-1, *Metallic materials — Brinell hardness test — Part 1: Test method*

ISO 6507-1, *Metallic materials — Vickers hardness test — Part 1: Test method*

ISO 6508-1, *Metallic materials — Rockwell hardness test — Part 1: Test method (scales A, B, C, D, E, F, G, H, K, N, T)*

ISO 16426, *Fasteners — Quality assurance system*

3 Terms and definitions

For the purposes of this document, the following terms and definitions apply.

3.1 base metal hardness
hardness closest to the surface (when traversing from core to outside diameter) just before an increase or decrease occurs, denoting carburization or decarburization, respectively

3.2 carburization
result of increasing surface carbon to a content above that of the base metal

3.3 decarburization
loss of carbon at the surface of a steel fastener

3.4 partial decarburization
decarburization with sufficient loss of carbon to cause a lighter shade of tempered martensite and a significantly lower hardness than that of the adjacent base metal, without, however, showing ferrite grains under metallographic examination

3.5 ferritic decarburization
decarburization with sufficient loss of carbon to cause a lighter shade of tempered martensite and a significantly lower hardness than that of the adjacent base metal, with the presence of ferrite grains or grain boundary network under metallographic examination

3.6 complete decarburization
decarburization with sufficient carbon loss to show only clearly defined ferrite grains under metallographic examination

3.7 performance hardness
hardness determined on the surface as near as practicable to the centre position of the point end of the screw

4 Symbols and abbreviated terms

For the purposes of this document, the symbols and abbreviated terms given in ISO 225 and ISO 965-1 and the following apply.

Symbol or abbreviated term	Meaning	Unit
<i>D</i>	Diameter of indenter for Brinell hardness test	mm
<i>d</i>	Nominal thread diameter	mm
<i>E</i>	Height of non-decarburized zone in thread	mm
<i>e</i>	Width across corners	mm
<i>F</i>	Applied force to determine Brinell hardness	N
<i>G</i>	Depth of complete decarburization in thread	mm
<i>H</i>	Height of fundamental triangle	mm
<i>H₁</i>	Height of external thread in maximum material condition	mm
<i>P</i>	Pitch of thread	mm
<i>s</i>	Width across flats	mm
<i>t</i>	Depth of the internal driving feature	mm
min	Abbreviated subscript added to symbol to denote minimum value	–

5 Designation system

The hardness classes are designated as specified in Table 1.

The numerical part of the designation represents 1/10 of the minimum Vickers hardness.

The letter H refers to the hardness.

Table 1 — Designations of hardness classes in relation to Vickers hardness

Hardness class designation	14H	22H	33H	45H
Vickers hardness, HV min	140	220	330	450

The designation system of this part of ISO 898 may be used for sizes outside the limits laid down in this clause (e.g. $d > 30$ mm), provided all applicable mechanical and physical requirements in accordance with Tables 2 and 3 are met.

6 Materials

Table 2 specifies limits for the chemical composition of steels for the different hardness classes of fasteners. The chemical composition shall be assessed in accordance with the relevant International Standards.

NOTE National regulations imposing a restriction or prohibition on certain chemical elements can apply; they are expected to be taken into account in the countries or regions concerned.

Table 2 — Steel specifications

Hardness class	Material	Heat treatment ^a	Chemical composition limit (cast analysis, %) ^b			
			C		P	S
			max.	min.	max.	max.
14H	Carbon steel ^c	—	0,50	—	0,11	0,15
22H	Carbon steel ^d	Quenched and tempered	0,50	0,19	0,05	0,05
33H	Carbon steel ^d	Quenched and tempered	0,50	0,19	0,05	0,05
45H	Carbon steel ^{d,e}	Quenched and tempered	0,50	0,45	0,05	0,05
	Carbon steel with additives ^d (e.g. Boron or Mn or Cr)	Quenched and tempered	0,50	0,28	0,05	0,05
	Alloy steel ^{d,f}	Quenched and tempered	0,50	0,30	0,05	0,05

^a Case hardening is not allowed.

^b In case of dispute, the product analysis applies.

^c Free-cutting steel may be used, with maximum lead content 0,35 %, maximum phosphorus content 0,11 % and maximum sulfur content 0,34 %.

^d Steel with a maximum lead content of 0,35 % may be used.

^e For $d \leq M16$ only.

^f This alloy steel shall contain at least one of the following elements in the minimum quantity given: chromium 0,30 %, nickel 0,30 %, molybdenum 0,20 %, vanadium 0,10 %. Where elements are specified in combinations of two, three or four and have lower alloy contents than those given above in this footnote, the limit value to be applied for steel class determination is 70 % of the sum of the individual limit values shown above in this footnote for the two, three or four elements concerned.

7 Mechanical and physical properties

The fasteners of the specified hardness classes shall, at ambient temperature, meet all the applicable mechanical and physical properties of Tables 3 to 5, regardless of the tests performed during manufacturing or final inspection.

Table 3 — Mechanical and physical properties

No.	Mechanical and physical properties		Hardness class					
			14H	22H	33H	45H		
1	Performance hardness (see 9.1.2)							
	1.1	Vickers hardness, HV 10	min.	140	220	330	450	
			max.	290	300	440	560	
	1.2	Brinell hardness HBW, $F = 30 D^2$	min.	133	209	314	428	
			max.	276	285	418	532	
	1.3	Rockwell hardness	HRB	min.	75	95	—	—
				max.	105	a	—	—
			HRC	min.	—	a	33	45
max.				—	30	44	53	
2	Torque strength		—	—	—	see Table 5		
3	Height of non-decarburized thread zone, E , mm	min.	—	$1/2H_1$	$2/3H_1$	$3/4H_1$		
4	Depth of complete decarburization, G , mm	max.	—	0,015	0,015	b		
5	Surface hardness HV 0,3 (see 9.1.3)	max.	—	320	450	580		
6	Non-carburization, HV 0,3	max.		c	c	c		
7	Surface integrity in accordance with		ISO 6157-1					
<p>^a For hardness class 22H: if hardness is tested in Rockwell, it is necessary to test the minimum value in HRB and the maximum value in HRC.</p> <p>^b No complete decarburization permitted in hardness class 45H.</p> <p>^c Surface hardness shall not be more than 30 Vickers points above the measured base metal hardness of the fastener when determination of both the surface hardness and base metal hardness are carried out with HV 0,3 (see Figure 3).</p>								

8 Applicability of test methods

8.1 Manufacturer's inspection

Fasteners produced in accordance with this part of ISO 898 shall be capable of conforming to all applicable requirements of Tables 3 to 5.

This part of ISO 898 does not mandate which of the tests the manufacturer shall perform on each manufacturing lot. It is the responsibility of the manufacturer to apply suitable methods of his choice, such as in-process testing or inspection, to ensure that the manufactured lot meets all the applicable requirements.

In case of dispute, the test methods specified in Clause 9 shall apply.

8.2 Supplier's inspection

The supplier tests the fasteners he/she provides using methods of their choice (periodic evaluation of manufacturer, checking/verification of test results from manufacturer, tests on fasteners, etc.), provided the mechanical and physical properties specified in Tables 3, 4 and 5 are met.

In case of dispute, the test methods specified in Clause 9 shall apply.

8.3 Purchaser's inspection

The purchaser may test the delivered fasteners using the test methods given in Clause 9.

In case of dispute, the test methods specified in Clause 9 shall apply, unless otherwise agreed at the time of the order.

9 Test methods

9.1 Hardness test

9.1.1 General

The purpose of the hardness test is

- a) to determine the performance hardness on the surface (see Table 3, Nos. 1.1 to 1.3) using the test method given in 9.1.2;
- b) to determine the surface hardness (see Table 3, No. 5) using the test method given in 9.1.3.

9.1.2 Performance hardness

9.1.2.1 Applicability

This test applies to all sizes of fasteners having a hardness class of 14H to 45H.

9.1.2.2 Test methods

Hardness may be determined using the Vickers, Brinell or Rockwell hardness tests.

a) Vickers hardness test

The Vickers hardness test shall be carried out in accordance with the provisions of ISO 6507-1.

b) Brinell hardness test

The Brinell hardness test shall be carried out in accordance with the provisions of ISO 6506-1.

c) Rockwell hardness test

The Rockwell hardness test shall be carried out in accordance with the provisions of ISO 6508-1.

9.1.2.3 Test procedure

Hardness tests shall be conducted as near as practicable to the centre position of the point end of the screw.

If the pointed end of the screw is suitable to ensure reproducible readings, fasteners used for hardness tests shall be tested as received.

If not, a flat surface on the end of the fastener shall be prepared by minimal grinding or polishing, maintaining the original properties of the surface base metal, in order to ensure reproducible readings.

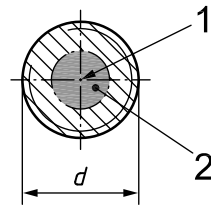
The hardness test shall be carried out by applying the load specified in Table 3.

In case of doubt, the Vickers hardness test shall be the method used for acceptance.

9.1.2.4 Requirements

The hardness shall be within the hardness range specified in Table 3.

If the maximum hardness specified in Table 3 is exceeded, a new test shall be conducted on a cross-section located at a distance $0,5 d$ from the point end and between the axis and the half-radius position (see Figure 1). The hardness shall be within the hardness range specified in Table 3.



Key

- 1 axis of the fastener
- 2 half-radius area (radius of $0,25d$)

Figure 1 — Half-radius area for hardness readings

9.1.3 Surface hardness

9.1.3.1 Applicability

This method applies to fasteners with a hardness class of 22H to 45H.

9.1.3.2 Test procedure

A suitable flat surface on the end of the fastener shall be prepared by light (minimal) grinding or polishing in order to ensure reproducible readings and maintain the original properties of the surface layer of the material.

The surface hardness shall be determined on the prepared surface. The test force shall be 2,942 N (Vickers hardness test HV 0,3).

9.1.3.3 Requirements

The hardness value taken on the surface shall not exceed the maximum value specified in Table 3.

9.2 Decarburization test

9.2.1 General

The purpose of the decarburization test is to detect if the surface of quenched and tempered fasteners is decarburized and to determine the depth of the completely decarburized zone (see Figure 2).

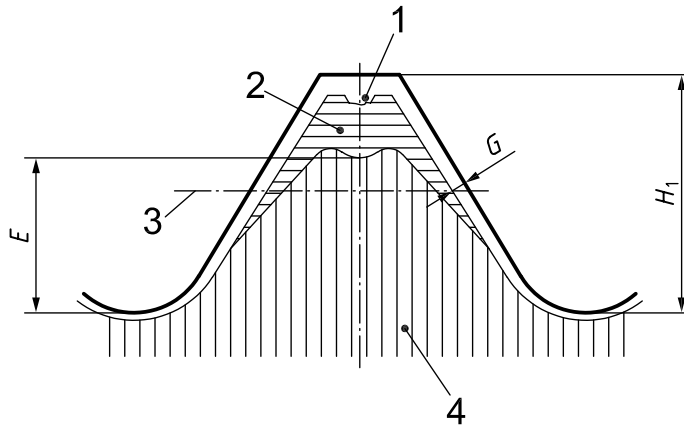
NOTE A loss of carbon content (decarburization), caused by the heat treatment process, beyond the limits specified in Table 3, can reduce the strength of the thread and can cause failure.

The surface carbon condition shall be determined by the following two methods:

- microscopic method;
- hardness method.

The microscopic method is used to determine ferritic decarburization, the completely decarburized zone, G , if it exists, and the height of the base metal zone, E (see Figure 2).

The hardness method is used to determine whether the requirement for the minimum height of the base metal zone, E , has been met and for detecting decarburization (see Figure 2).



Key

- 1 complete decarburization
- 2 partial decarburization or ferritic decarburization
- 3 pitch line
- 4 base metal
- E* height of the non-decarburized thread zone
- G* depth of complete decarburization in the thread
- H_1 external thread height in the maximum metal condition

Figure 2 — Zones of decarburization

9.2.2 Microscopic method

NOTE This method allows for the determination of both *E* and *G*.

9.2.2.1 Applicability

This method applies to all fasteners having a hardness class of 22H to 45H.

9.2.2.2 Preparation of test specimen

The test specimens shall be taken from the fasteners after all heat treatment operations have been performed and after removal of plating or any other coating, if any.

The test specimens shall be taken as a longitudinal section through the thread axis, approximately half a nominal diameter ($0,5d$) from the end of the screw. The test specimen shall be embedded in a plastic mount or, alternatively, in a clamp. After mounting, the surface shall be ground and polished in accordance with good metallographic practice.

NOTE Etching in a 3 % nital solution (concentrated nitric acid in ethanol) is usually suitable for showing changes in microstructure caused by decarburization.

9.2.2.3 Test procedure

Place the test specimen under a microscope. Unless otherwise agreed, a 100× magnification shall be used for examination.

If the microscope is of a type that has a ground glass screen, the extent of decarburization can be measured directly with the help of a scale. If an eyepiece is used for measurement, it should be of an appropriate type, containing a cross-hair or scale.

9.2.2.4 Requirements

The maximum depth of complete decarburization, G , if there is any, shall meet the requirements specified in Table 3. The height of the non-decarburized thread zone, E , shall meet the requirements specified in Table 4.

Table 4 — Values for H_1 and E

Dimensions in millimetres

Pitch of the thread, P		0,5	0,6	0,7	0,8	1	1,25	1,5	1,75	2	2,5	3	3,5	
H_1		0,307	0,368	0,429	0,491	0,613	0,767	0,920	1,074	1,227	1,534	1,840	2,147	
Hardness class	22H	E_{\min}	0,154	0,184	0,215	0,245	0,307	0,384	0,460	0,537	0,614	0,767	0,920	1,074
	33H		0,205	0,245	0,286	0,327	0,409	0,511	0,613	0,716	0,818	1,023	1,227	1,431
	45H		0,230	0,276	0,322	0,368	0,460	0,575	0,690	0,806	0,920	1,151	1,380	1,610

9.2.3 Hardness method (reference method for partial decarburization)

9.2.3.1 Applicability

This method applies to fasteners having the following specifications:

- pitch $P \geq 1,25$ mm and hardness class 22H or 33H;
- all sizes of hardness class 45H.

9.2.3.2 Preparation of test specimen

The test specimen shall be prepared in accordance with 9.2.2.2, but etching and removal of the surface coating is not necessary.

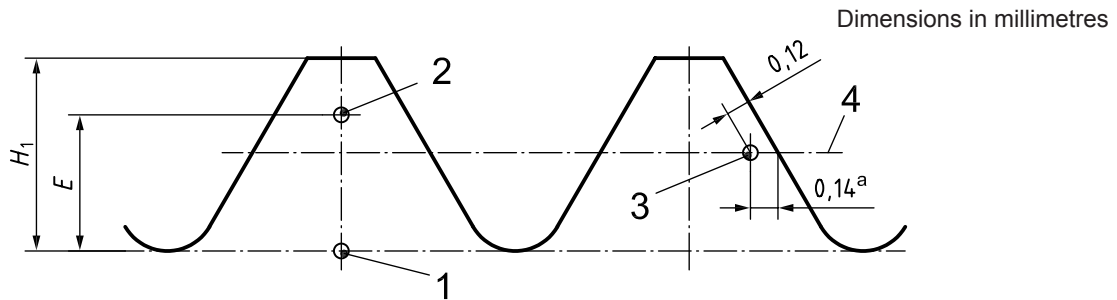
9.2.3.3 Test procedure

The Vickers hardness shall be measured at points 1 and 2 as shown in Figure 3. The test force shall be 2,942 N (Vickers hardness test HV 0,3).

9.2.3.4 Requirements

The Vickers hardness value at point 2, HV(2), shall be greater than or equal to the Vickers hardness value at point 1, HV(1), minus 30 Vickers units. The height of the non-decarburized zone, E , shall meet the requirements specified in Table 4.

NOTE Complete decarburization up to the maximum specified in Table 3 cannot be detected by the hardness measurement method.



Key

- E height of non-decarburized zone in the thread, in millimetres
- H_1 height of external thread in the maximum material condition, in millimetres
- 1, 2, 3 measurement points (1 is the reference point)
- 4 pitch line

There is no decarburization if $HV(2) \geq HV(1) - 30$.

There is no carburization if $HV(3) \leq HV(1) + 30$.

^a The value 0,14 mm is given only as an aid to locating the point along the pitch line.

Figure 3 — Hardness measurements for decarburization test and carburization test

9.3 Carburization test

9.3.1 General

The purpose of this test is to determine that the surface of a quenched and tempered fastener has not become carburized during heat treatment. The difference between base metal hardness and surface hardness is decisive for the evaluation of the carburization condition in the surface layer.

NOTE Carburization is detrimental as increased surface hardness can cause embrittlement. Careful differentiation needs to be made between an increase in hardness caused by carburization and that due to heat treatment or cold working of the surface, such as threads rolled after heat treatment.

Carburization shall be detected by one or the other of the following two methods:

- a) hardness test on a longitudinal section;
- b) surface hardness test.

In case of dispute, the hardness test on a longitudinal section shall be the reference test method.

9.3.2 Hardness test on a longitudinal section

9.3.2.1 Applicability

This method applies to fasteners with the following specifications:

- a) pitch $P \geq 1,25$ mm and hardness class 22H or 33H;
- b) all sizes of hardness class 45H.

9.3.2.2 Preparation of test specimen

The test specimen shall be prepared in accordance with 9.2.2.2, but etching and removal of the surface coating is not necessary.

9.3.2.3 Test procedure

Vickers hardness readings shall be performed at points 1 and 3 as indicated in Figure 3. The test force shall be 2,942 N (Vickers hardness test HV 0,3).

If the test specimen has been used in a test according to 9.2.3.3, the hardness determination at point 3 shall be made on the pitch line of the thread adjacent to the thread on which determinations at point 1 and 2 are made.

9.3.2.4 Requirements

The Vickers hardness value at point 3, HV(3), shall be less than or equal to that at point 1, HV(1), plus 30 Vickers units.

An increase of more than 30 Vickers units indicates carburization.

9.3.3 Surface hardness method

9.3.3.1 Applicability

This method applies to all fasteners with a hardness class of 22H to 45H.

9.3.3.2 Preparation of test specimen

- a) A suitable flat surface on the end of the fastener shall be prepared by light (minimal) grinding or polishing in order to ensure reproducible readings and maintain the original properties of the surface layer of the material.
- b) A transverse section shall be taken at a distance $0,5 d$ from the end and the surface shall be suitably prepared.

9.3.3.3 Test procedure

- a) The surface hardness shall be determined on the prepared surface in accordance with 9.3.3.2 a).
- b) The base metal hardness shall be determined on the transverse section in accordance with 9.3.3.2 b).

The test force shall be 2,942 N (Vickers hardness test HV 0,3) for both determinations.

9.3.3.4 Requirements

The hardness value taken on the surface shall be less than or equal to the base metal hardness value plus 30 Vickers units.

An increase of more than 30 Vickers units indicates carburization.

9.4 Proof torque test for hexagonal socket set screws and hexalobular socket set screws of hardness class 45H

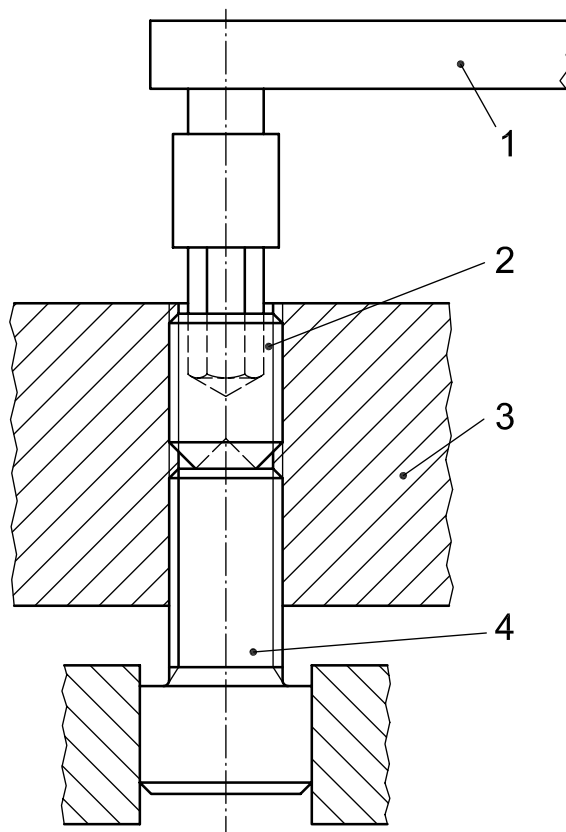
9.4.1 Applicability

This test applies to hexagonal and hexalobular socket set screws with the following specifications:

- a) hardness class 45H;
- b) coarse thread of M3 to M30, or fine pitch thread of M8×1 to M30×2.

9.4.2 Test procedure

The set screw shall be inserted in a test block as shown in Figure 4 until the top surface of the screw face is flush with the test block and the point bears on a firm base, for example a backing screw inserted from the other side.



Key

- 1 torque wrench
- 2 set screw under test
- 3 test block: minimum hardness 50 HRC, tolerance class of the internal thread 5H (as specified in ISO 965-3)
- 4 backing screw: hardness 450 HV to 570 HV

Figure 4 — Example of torque test device

Use a test bit with a hardness of 55 HRC to 60 HRC and engage the full depth of the set screw socket. The screw shall be tightened to the proof torque specified in Table 5.

A hexagonal test bit shall have a tolerance class of h9 for the widths across flats, s , and a minimum width across corners of $e \geq 1,13 s_{\min}$.

A torque-measuring device with an accuracy of $\pm 5\%$ relative to the maximum measuring limit shall be used.

In case of dispute, the measuring range of the device used shall cover the upper half of all measured values.

9.4.3 Requirements

The screw shall withstand the proof torque specified in Table 5 without splitting or cracking.

Visible marks on the socket due to torque testing shall not be cause for rejection.

Table 5 — Proof torque requirements

Nominal thread diameter (coarse and fine pitch)	Minimum length of hexagonal socket set screw for test ^a mm				Proof torque Nm
	Flat point	Cone point	Dog point	Cup point	
3	4	5	6	5	0,9
4	5	6	8	6	2,5
5	6	8	8	6	5
6	8	8	10	8	8,5
8	10	10	12	10	20
10	12	12	16	12	40
12	16	16	20	16	65
16	20	20	25	20	160
20	25	25	30	25	310
24	30	30	35	30	520
30	36	36	45	36	860

^a For hexalobular socket set screws, there is no requirement for minimum length (as r_{min} of the socket is the same for all lengths).

10 Marking

10.1 General

If all relevant requirements in this part of ISO 898 are met, fasteners shall be designated in accordance with the designation system described in Clause 5 and marked in accordance with 10.3 or 10.4, as applicable.

10.2 Manufacturer's identification mark

The manufacturer's identification mark is not required.

10.3 Marking set screws with hardness class

Marking set screws with the hardness class, as described in Clause 5, is not generally required. If, in special cases, marking is agreed between the interested parties, the symbol of the hardness class should be used as the marking symbol.

10.4 Marking of packages

All packages of all types of set screws of all sizes shall be marked (e.g. using labelling). The marking shall include the manufacturer's and/or distributor's identification and the marking symbol for the hardness class in accordance with Table 1, as well as the manufacturing lot number as defined in ISO 16426.

Annex A (informative)

Hydrogen embrittlement relief after electroplating of set screws

Hydrogen embrittlement relief after electroplating, as required in ISO 4042, is not necessary for socket set screws under compressive stress.

The use of set screws of hardness class 33H and 45H under tensile stress (axial or bending) is not recommended.

Bibliography

- [1] ISO 68-1, *ISO general purpose screw threads — Basic profile — Part 1: Metric screw threads*
- [2] ISO 261, *ISO general purpose metric screw threads — General plan*
- [3] ISO 262, *ISO general purpose metric screw threads — Selected sizes for screws, bolts and nuts*
- [4] ISO 898-1, *Mechanical properties of fasteners made of carbon steel and alloy steel — Part 1: Bolts, screws and studs with specified property classes — Coarse thread and fine pitch thread¹⁾*
- [5] ISO 965-2, *ISO general purpose metric screw threads — Tolerances — Part 2: Limits of sizes for general purpose external and internal screw threads — Medium quality*
- [6] ISO 4042, *Fasteners — Electroplated coatings*

1) To be published.

British Standards Institution (BSI)

BSI is the national body responsible for preparing British Standards and other standards-related publications, information and services.

BSI is incorporated by Royal Charter. British Standards and other standardization products are published by BSI Standards Limited.

About us

We bring together business, industry, government, consumers, innovators and others to shape their combined experience and expertise into standards-based solutions.

The knowledge embodied in our standards has been carefully assembled in a dependable format and refined through our open consultation process. Organizations of all sizes and across all sectors choose standards to help them achieve their goals.

Information on standards

We can provide you with the knowledge that your organization needs to succeed. Find out more about British Standards by visiting our website at bsigroup.com/standards or contacting our Customer Services team or Knowledge Centre.

Buying standards

You can buy and download PDF versions of BSI publications, including British and adopted European and international standards, through our website at bsigroup.com/shop, where hard copies can also be purchased.

If you need international and foreign standards from other Standards Development Organizations, hard copies can be ordered from our Customer Services team.

Subscriptions

Our range of subscription services are designed to make using standards easier for you. For further information on our subscription products go to bsigroup.com/subscriptions.

With **British Standards Online (BSOL)** you'll have instant access to over 55,000 British and adopted European and international standards from your desktop. It's available 24/7 and is refreshed daily so you'll always be up to date.

You can keep in touch with standards developments and receive substantial discounts on the purchase price of standards, both in single copy and subscription format, by becoming a **BSI Subscribing Member**.

PLUS is an updating service exclusive to BSI Subscribing Members. You will automatically receive the latest hard copy of your standards when they're revised or replaced.

To find out more about becoming a BSI Subscribing Member and the benefits of membership, please visit bsigroup.com/shop.

With a **Multi-User Network Licence (MUNL)** you are able to host standards publications on your intranet. Licences can cover as few or as many users as you wish. With updates supplied as soon as they're available, you can be sure your documentation is current. For further information, email bsmusales@bsigroup.com.

BSI Group Headquarters

389 Chiswick High Road London W4 4AL UK

Revisions

Our British Standards and other publications are updated by amendment or revision.

We continually improve the quality of our products and services to benefit your business. If you find an inaccuracy or ambiguity within a British Standard or other BSI publication please inform the Knowledge Centre.

Copyright

All the data, software and documentation set out in all British Standards and other BSI publications are the property of and copyrighted by BSI, or some person or entity that owns copyright in the information used (such as the international standardization bodies) and has formally licensed such information to BSI for commercial publication and use. Except as permitted under the Copyright, Designs and Patents Act 1988 no extract may be reproduced, stored in a retrieval system or transmitted in any form or by any means – electronic, photocopying, recording or otherwise – without prior written permission from BSI. Details and advice can be obtained from the Copyright & Licensing Department.

Useful Contacts:

Customer Services

Tel: +44 845 086 9001

Email (orders): orders@bsigroup.com

Email (enquiries): cservices@bsigroup.com

Subscriptions

Tel: +44 845 086 9001

Email: subscriptions@bsigroup.com

Knowledge Centre

Tel: +44 20 8996 7004

Email: knowledgecentre@bsigroup.com

Copyright & Licensing

Tel: +44 20 8996 7070

Email: copyright@bsigroup.com



...making excellence a habit.™