

**Aerospace —
Nuts, anchor,
self-locking, floating,
self-aligning, single lug,
with MJ threads,
classifications:
900 MPa (at ambient
temperature)/235 °C,
900 MPa (at ambient
temperature)/315 °C
and 900 MPa
(at ambient
temperature)/425 °C —
Dimensions**

ICS 49.030.30

National foreword

This British Standard reproduces verbatim ISO 12274:1997 and implements it as the UK national standard.

The UK participation in its preparation was entrusted by Technical Committee ACE/12, Aerospace fasteners and fastening systems, to Subcommittee ACE/12/1, Aerospace fasteners and fastening systems (international), which has the responsibility to:

- aid enquirers to understand the text;
- present to the responsible international/European committee any enquiries on the interpretation, or proposals for change, and keep the UK interests informed;
- monitor related international and European developments and promulgate them in the UK.

A list of organizations represented on this subcommittee can be obtained on request to its secretary.

Cross-references

The British Standards which implement international or European publications referred to in this document may be found in the BSI Standards Catalogue under the section entitled “International Standards Correspondence Index”, or by using the “Find” facility of the BSI Standards Electronic Catalogue.

A British Standard does not purport to include all the necessary provisions of a contract. Users of British Standards are responsible for their correct application.

Compliance with a British Standard does not of itself confer immunity from legal obligations.

Summary of pages

This document comprises a front cover, an inside front cover, pages i and ii, the ISO title page, pages ii to iv, pages 1 and 2 and a back cover.

This standard has been updated (see copyright date) and may have had amendments incorporated. This will be indicated in the amendment table on the inside front cover.

This British Standard, having been prepared under the direction of the Engineering Sector Board, was published under the authority of the Standards Board and comes into effect on 15 October 1997

© BSI 09-1999

ISBN 0 580 28732 7

Amendments issued since publication

Amd. No.	Date	Comments

Contents

	Page
National foreword	Inside front cover
Foreword	iii
Text of ISO 12274	1

INTERNATIONAL
STANDARD

ISO
12274

First edition
1997-08-01

**Aerospace — Nuts, anchor, self-locking,
floating, self-aligning, single lug, with MJ
threads, classifications: 900 MPa (at
ambient temperature)/235 °C, 900 MPa (at
ambient temperature)/315 °C and 900 MPa
(at ambient temperature)/425 °C —
Dimensions**

*Aéronautique et espace — Écrous à river, à freinage interne, flottants,
orientables, simple patte, à filetage MJ, classifications: 900 MPa (à
température ambiante)/235 °C, 900 MPa (à température ambiante)/315 °C
et 900 MPa (à température ambiante)/425 °C — Dimensions*



Reference number
ISO 12274:1997(E)

Contents

	Page
Foreword	iii
Introduction	1
1 Scope	1
2 Normative references	1
3 Configuration and dimensions	1
Figure 1	2
Table 1	2

Descriptors: Aircraft industry, fasteners, MJ threads, nuts (fasteners) anchor nuts, self-locking nuts, floating nuts, classification, form specifications, dimensions.

Foreword

ISO (the International Organization for Standardization) is a worldwide federation of national standards bodies (ISO member bodies). The work of preparing International Standards is normally carried out through ISO technical committees. Each member body interested in a subject for which a technical committee has been established has the right to be represented on that committee. International organizations, governmental and non-governmental, in liaison with ISO, also take part in the work. ISO collaborates closely with the International Electrotechnical Commission (IEC) on all matters of electrotechnical standardization.

Draft International Standards adopted by the technical committees are circulated to the member bodies for voting. Publication as an International Standard requires approval by at least 75 % of the member bodies casting a vote.

International Standard ISO 12274 was prepared by Technical Committee ISO/TC 20, *Aircraft and space vehicles*, Subcommittee SC 4, *Aerospace fastener systems*.

Introduction

The dimensions specified in this International Standard have been determined to satisfy the requirements of the procurement specification of ISO 5858.

1 Scope

This International Standard specifies the dimensions of floating, self-aligning, single lug anchor nuts, with MJ threads and a self-locking feature achieved by forming the upper portion out-of-round, of classifications: 900 MPa¹/235 °C², 900 MPa¹/315 °C² and 900 MPa¹/425 °C².

This International Standard is only applicable for the compilation of aerospace product standards.

2 Normative references

The following standards contain provisions which, through reference in this text, constitute provisions of this International Standard. At the time of publication, the editions indicated were valid. All standards are subject to revision, and parties to agreements based on this International Standard are encouraged to investigate the possibility of applying the most recent editions of the standards indicated below. Members of IEC and ISO maintain registers of currently valid International Standards.

ISO 5855-2:1988, *Aerospace — MJ threads — Part 2: Limit dimensions for bolts and nuts.*

ISO 5858:1991, *Aerospace — Self-locking nuts with maximum operating temperature less than or equal to 425 °C — Procurement specification.*

ISO 8788:1987, *Aerospace — Fasteners — Tolerances of form and position for nuts.*

3 Configuration and dimensions

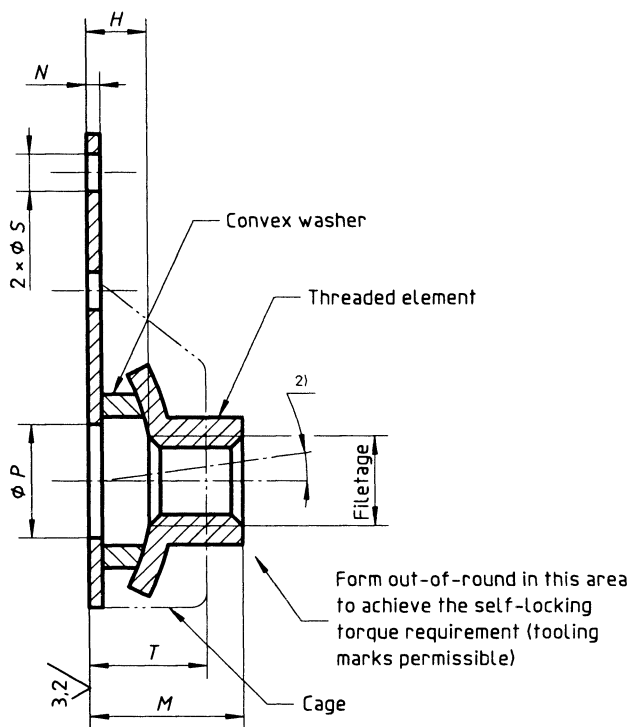
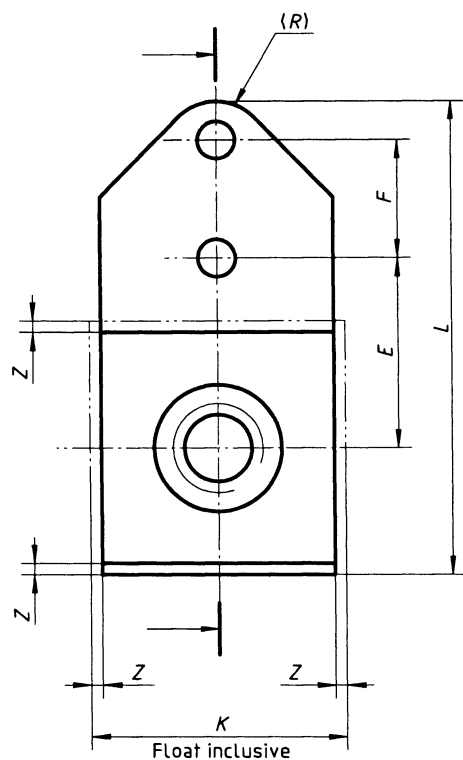
See Figure 1 and Table 1. Dimensions and tolerances are expressed in millimetres. They apply after any surface coating(s) but before the application of any lubricant.

¹) Corresponds to the minimum tensile stress which the nut is able to withstand at ambient temperature without breaking or cracking when tested with a bolt of a higher strength class.

²) Maximum temperature that the nut is able to withstand, without permanent alteration to its original characteristics, after ambient temperature has been restored. The maximum temperature is conditioned by the material or by the surface treatment.

$6,3 \sqrt{\left(3,2 \sqrt{\right)^1}$

Remove sharp edges 0,1 to 0,4



NOTE Tolerances of form and position shall conform to those specified in ISO 8788.

1) These values, in micrometers, apply before any surface coating(s) is (are) applied. The values do not apply to threads and sheared edges, the surface texture of which will be as achieved by the usual manufacturing methods.

2) Axial misalignment: 8° minimum in any direction from central position

Figure 1

Table 1

Diameter code	Thread ^a	E	F	H	K	L	M	N ^b	P	R	S	T	Radial floating Z min.
				min.	max.	max.						max.	
050	MJ5×0,8 – 4H6H	8,75	7,9	3,5	15,2	26,7	8,3	0,9	6,7	3	2,5	7,2	0,7
060	MJ6×1 – 4H5H	12,7		4	17	31,7	10,2		7,6			7,8	
080	MJ8×1 – 4H5H	12,7		5	20,5	33,3	11,8		11			3,5	

^a In accordance with ISO 5855-2. In the self-locking zone, the tolerances apply before forming out-of-round.

^b Is applicable at the rivet hole location.

BSI — British Standards Institution

BSI is the independent national body responsible for preparing British Standards. It presents the UK view on standards in Europe and at the international level. It is incorporated by Royal Charter.

Revisions

British Standards are updated by amendment or revision. Users of British Standards should make sure that they possess the latest amendments or editions.

It is the constant aim of BSI to improve the quality of our products and services. We would be grateful if anyone finding an inaccuracy or ambiguity while using this British Standard would inform the Secretary of the technical committee responsible, the identity of which can be found on the inside front cover. Tel: 020 8996 9000. Fax: 020 8996 7400.

BSI offers members an individual updating service called PLUS which ensures that subscribers automatically receive the latest editions of standards.

Buying standards

Orders for all BSI, international and foreign standards publications should be addressed to Customer Services. Tel: 020 8996 9001. Fax: 020 8996 7001.

In response to orders for international standards, it is BSI policy to supply the BSI implementation of those that have been published as British Standards, unless otherwise requested.

Information on standards

BSI provides a wide range of information on national, European and international standards through its Library and its Technical Help to Exporters Service. Various BSI electronic information services are also available which give details on all its products and services. Contact the Information Centre. Tel: 020 8996 7111. Fax: 020 8996 7048.

Subscribing members of BSI are kept up to date with standards developments and receive substantial discounts on the purchase price of standards. For details of these and other benefits contact Membership Administration. Tel: 020 8996 7002. Fax: 020 8996 7001.

Copyright

Copyright subsists in all BSI publications. BSI also holds the copyright, in the UK, of the publications of the international standardization bodies. Except as permitted under the Copyright, Designs and Patents Act 1988 no extract may be reproduced, stored in a retrieval system or transmitted in any form or by any means – electronic, photocopying, recording or otherwise – without prior written permission from BSI.

This does not preclude the free use, in the course of implementing the standard, of necessary details such as symbols, and size, type or grade designations. If these details are to be used for any other purpose than implementation then the prior written permission of BSI must be obtained.

If permission is granted, the terms may include royalty payments or a licensing agreement. Details and advice can be obtained from the Copyright Manager. Tel: 020 8996 7070.