



Designation: G77 – 17

# Standard Test Method for Ranking Resistance of Materials to Sliding Wear Using Block-on-Ring Wear Test<sup>1</sup>

This standard is issued under the fixed designation G77; the number immediately following the designation indicates the year of original adoption or, in the case of revision, the year of last revision. A number in parentheses indicates the year of last reapproval. A superscript epsilon ( $\epsilon$ ) indicates an editorial change since the last revision or reapproval.

## 1. Scope

1.1 This test method covers laboratory procedures for determining the resistance of materials to sliding wear. The test utilizes a block-on-ring friction and wear testing machine to rank pairs of materials according to their sliding wear characteristics under various conditions.

1.2 An important attribute of this test is that it is very flexible. Any material that can be fabricated into, or applied to, blocks and rings can be tested. Thus, the potential materials combinations are endless. However, the interlaboratory testing has been limited to metals. In addition, the test can be run with various lubricants, liquids, or gaseous atmospheres, as desired, to simulate service conditions. Rotational speed and load can also be varied to better correspond to service requirements.

1.3 The values stated in SI units are to be regarded as the standard. The values given in parentheses are for information only. Wear test results are reported as the volume loss in cubic millimetres for both the block and ring. Materials of higher wear resistance will have lower volume loss.

1.4 *This standard does not purport to address all of the safety concerns, if any, associated with its use. It is the responsibility of the user of this standard to establish appropriate safety and health practices and determine the applicability of regulatory limitations prior to use.*

1.5 *This international standard was developed in accordance with internationally recognized principles on standardization established in the Decision on Principles for the Development of International Standards, Guides and Recommendations issued by the World Trade Organization Technical Barriers to Trade (TBT) Committee.*

<sup>1</sup> This test method is under the jurisdiction of ASTM Committee G02 on Wear and Erosion and is the direct responsibility of G02.40 on Non-Abrasive Wear.

Current edition approved June 1, 2017. Published June 2017. Originally approved in 1983. Last previous edition approved in 2010 as G77 – 05 (2010). DOI: 10.1520/G0077-17.

## 2. Referenced Documents

### 2.1 ASTM Standards:<sup>2</sup>

- D2714 Test Method for Calibration and Operation of the Falex Block-on-Ring Friction and Wear Testing Machine
- E122 Practice for Calculating Sample Size to Estimate, With Specified Precision, the Average for a Characteristic of a Lot or Process
- E177 Practice for Use of the Terms Precision and Bias in ASTM Test Methods
- E691 Practice for Conducting an Interlaboratory Study to Determine the Precision of a Test Method
- G40 Terminology Relating to Wear and Erosion

## 3. Terminology

### 3.1 Definitions:

3.1.1 *sliding wear, n*—wear due to the relative motion in the tangential plane of contact between two solid bodies.

3.1.2 *wear*—damage to a solid surface, generally involving progressive loss of material, due to relative motion between that surface and a contacting substance or substances.

3.1.3 For additional definitions pertinent to this test method, see Terminology G40.

## 4. Summary of Test Method

4.1 A test block is loaded against a test ring that rotates at a given speed for a given number of revolutions. Block scar volume is calculated from the block scar width, and ring scar volume is calculated from ring weight loss. The friction force required to keep the block in place is continuously measured during the test with a load cell. These data, combined with normal force data, are converted to coefficient of friction values and reported.

## 5. Significance and Use

5.1 The significance of this test method in any overall measurement program directed toward a service application

<sup>2</sup> For referenced ASTM standards, visit the ASTM website, www.astm.org, or contact ASTM Customer Service at service@astm.org. For *Annual Book of ASTM Standards* volume information, refer to the standard's Document Summary page on the ASTM website.

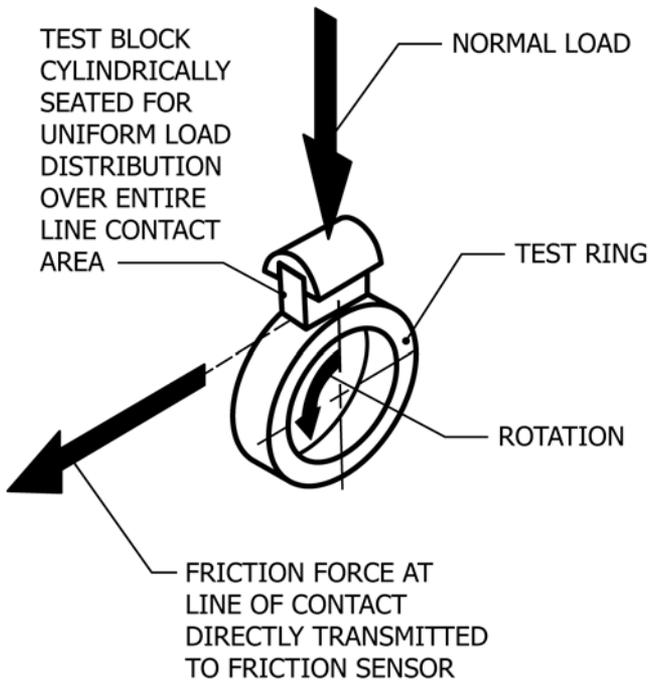


FIG. 1 Test Schematic

(4 to 8  $\mu\text{in.}$ ) CLA in the direction of motion is recommended. However, other surface conditions may be evaluated as desired.

6.4 *Analytical Balance*, capable of measuring to the nearest 0.1 mg.

6.5 *Optical Device* (or equivalent), with metric or inch-pound unit calibration, is also necessary so that scar width can be measured with a precision of 0.005 mm (0.0002 in.) or equivalent.

## 7. Reagents

7.1 *Methanol*.

## 8. Preparation and Calibration of Apparatus

8.1 Run the calibration procedure that is in Test Method [D2714](#) to ensure good mechanical operation of the test equipment.

## 9. Procedure

9.1 Clean the block and ring using a procedure that will remove any scale, oil film, or residue without damaging the surface.

9.1.1 For metals, the following procedure is recommended: clean the block and ring in a non-chlorine containing solvent, ultrasonically, if possible; a methanol rinse may be used to remove any traces of solvent residue. Allow the blocks and rings to dry completely. Handle the block and ring with clean, lint-free cotton gloves from this point on.

9.2 Make surface texture and surface roughness measurements across the width of the block and the ring, as necessary. Note that a surface profile does not completely describe a surface topology. Scanning electron micrographs may be used, as desired, to augment the description of the wear surfaces. Clean the block and the ring if necessary as in [9.1](#).

9.3 Demagnetize the metal specimens and ferrous assembly. Weigh the block and ring to the nearest 0.1 mg.

9.4 Measure the block width and ring diameter to the nearest 0.025 mm (0.001 in.).

9.5 Clean the self-aligning block holder, ring shaft, and lubricant reservoir with solvent.

9.6 Put the self-aligning block holder on the block.

9.7 Place the block in position on the machine and, while holding the block in position, place the ring on the shaft and lock the ring in place, using a test method in accordance with the requirements of the specific machine design.

9.8 Center the block on the ring while placing a light manual pressure on the lever arm to bring the block and ring into contact. Be sure the edge of the block is parallel to the edge of the ring and that the mating surfaces are perfectly aligned. This is accomplished by making sure the specimen holder is free during mounting so that the self-aligning block holder can properly seat itself. Release the pressure on the lever arm.

9.9 One may choose either a preloading or a step-loading procedure. Generally, preloading is chosen for variable speed

will depend on the relative match of test conditions to the conditions of the service application.

5.2 This test method seeks only to prescribe the general test procedure and method of calculating and reporting data. The choice of test operating parameters is left to the user. A fixed amount of sliding distance must be used because wear is usually non-linear with distance in this test.

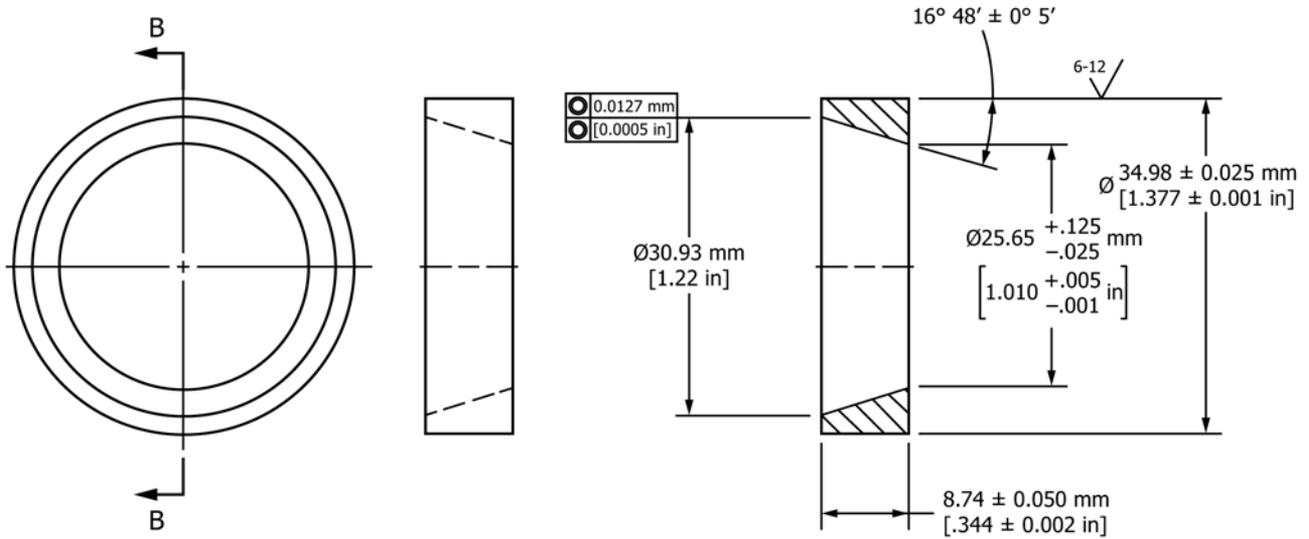
## 6. Apparatus and Materials

6.1 *Test Schematic*—A schematic of one possible block-on-ring wear test geometry is shown in [Fig. 1](#).<sup>3</sup>

6.2 *Test Ring*—A typical test ring is shown in [Fig. 2](#). The test ring must have an outer diameter of  $34.99 \pm 0.025$  mm ( $1.377 \pm 0.001$  in.) with an eccentricity between the inner and outer surface of no greater than 0.00125 mm (0.0005 in.). For couples where surface condition is not under study, it is recommended that the outer diameter be a ground surface with a roughness of 0.152 to 0.305  $\mu\text{m}$  (6 to 12  $\mu\text{in.}$ ) rms or center line average (CLA), in the direction of motion. However, alternate surface conditions may be evaluated in the test, as desired. It should be kept in mind that surface condition can have an effect on sliding wear results.

6.3 *Test Block*—A test block is shown in [Fig. 3](#). Block width is  $6.35 + 0.000, -0.025$  mm ( $0.250 + 0.000, -0.001$  in.). For couples where surface condition is not a parameter under study, a ground surface with the grinding marks running parallel to the long axis of the block and a roughness of 0.102 to 0.203  $\mu\text{m}$

<sup>3</sup> Several machines have been found satisfactory for the purposes of this test. These models may differ in lever arm ratio, load range, speed control (variable or fixed), speed range, and type of friction measuring device.



SECTION B-B

NOTE 1—The outer diameter and concentricity with the inner diameter are the only critical parameters. The inner diameter is optional depending on machine design. The inside diameter taper shown fits a number of standard machines.

FIG. 2 Test Ring

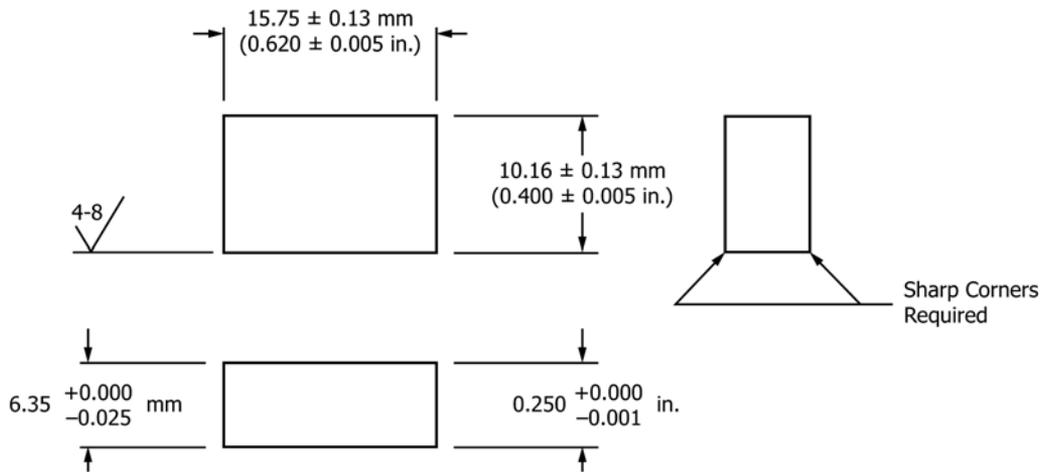


FIG. 3 Test Block

machines, while step-loading is chosen for fixed speed machines in order to avoid an initial high wear transient. The differences in the two procedures are indicated in 9.10 – 9.22.

9.10 Place the required weights on the load bale and adjust the lever arm in accordance with the requirements of the specific machine design. Then remove the load by raising the weights, if using the preloading procedure, or by removing the weights if using the step-loading procedure.

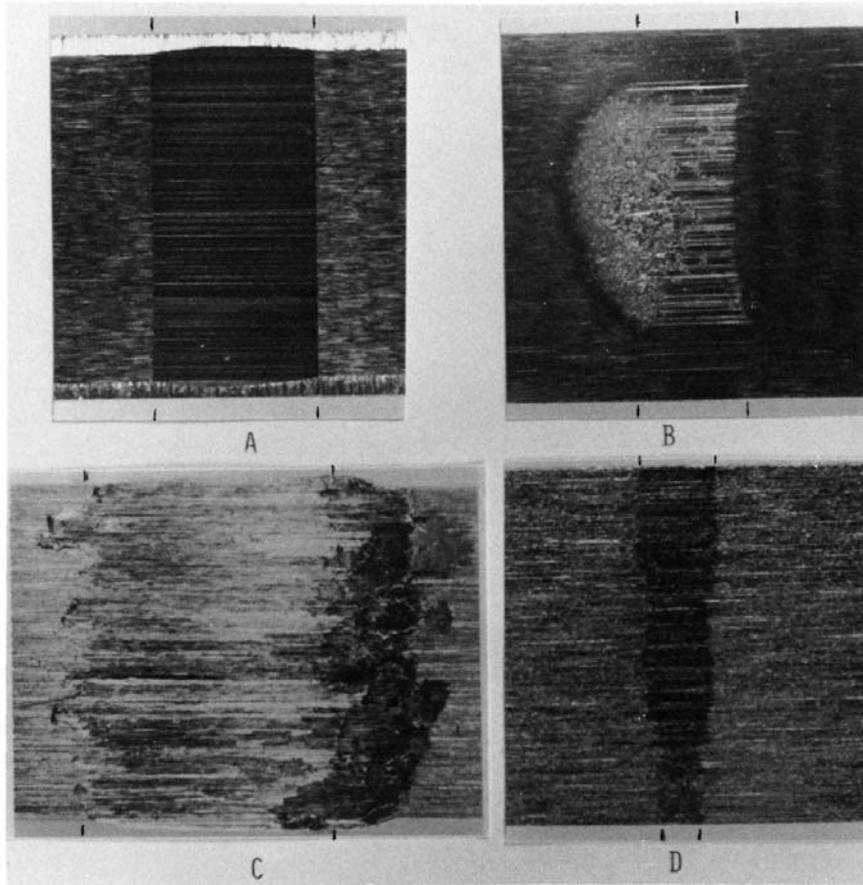
9.11 If running a lubricated test, clean all components that will come in contact with lubricant; fill the lubricant reservoir with lubricant to 6.4 mm (0.25 in.) above the lower surface of the ring; rotate the ring several times.

9.12 Set the revolution counter to zero.

9.13 Gently lower the weights, applying the required load, if using the preloading procedure.

9.14 If using a variable speed machine, turn on the machine and slowly increase the power to the drive motor until the ring starts to rotate, recording the “static” friction force. Continue to increase the rate of rotation to the desired rate. If using a fixed speed machine, simply turn on the machine.

9.15 If using step-loading, start the machine with no weights, then gently add a 133-N (30-lbf) load every 200 rev until the required test load is reached. Adjust the rate of rotation as needed. If the required load is less than 133 N, apply the load in one step.



- A. A good rectangular scar with straight edges.
- B. The center of the scar is curved because the block was crowned. Also, debris covers the center left edge of the scar. Ordinarily, the debris should be visually ignored, but in this case scar curvature makes this too difficult. The test should be rerun.
- C. Severe galling resulted in jagged scar edges and a lip of plastically deformed material along the right side of the scar. The raised lip of material is excluded from the scar measurement. The cross hair should be run to a visual average of the jagged edge, not to the point of a zigzag.
- D. Tapered scar with jagged edges. This scar is too tapered (coefficient of variation > 10 %); therefore, the test should be rerun.

FIG. 4 Block Scars

9.16 During the test, record the friction force, lubricant or block temperature, as required, and, if desired, the vertical displacement of the block.

9.17 Stop the test manually or automatically after the desired number of revolutions.<sup>4</sup>

9.18 A final “static” friction force may be measured with a variable speed machine. Leaving on the full load, wait 3 min ± 10 s, then turn on the machine and slowly increase the power to the drive motor until the ring starts to rotate, recording the “static” final friction force. Then turn off the motor.

9.19 Remove the block and ring, clean, and reweigh to the nearest 0.1 mg.

9.20 Make surface roughness measurements and profilometer traces across the width of the block and the ring as desired.

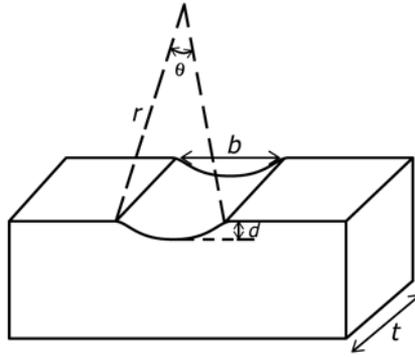
<sup>4</sup> 5400 and 10 800 revolutions have been used for metals in interlaboratory test programs.

A trace along the long axis of the block, through the wear scar, is also useful to verify the scar depth and shape.<sup>5</sup>

9.21 Measure the scar width on the test block in the center and ~1 mm (0.04 in.) away from each edge. These measurements shall be to the nearest 0.025 mm (0.001 in.). Record the average of the three readings. Sometimes oxidation debris or a lip of plastically deformed material will extend over the edge of the wear scar (Fig. 4). When measuring scar width, try to visually ignore this material or measure the scar width in an area where this is not a problem.

9.22 Tapered scars indicate improper block alignment during testing. If the three width measurements on a given scar have a coefficient of variation of greater than 10 %, the test shall be declared invalid.

<sup>5</sup> On some of the old test machines, it is possible for the block to move back and forth slightly, increasing the apparent size of the wear scar. If this problem is suspected, a profilometer trace through the wear scar will verify whether or not the scar shape corresponds to the curvature of the ring.



$t$  = block width, mm  
 $r$  = radius of ring, mm  
 $D$  =  $2r$  = diameter of ring, mm  
 $b$  = average scar width, mm  
 $\theta$  = sector angle in radians  
 $d$  = scar depth, mm

Scar Width =  $b = D \sin \frac{\theta}{2}$   
 Scar volume =  $\frac{D^2 t}{8} (\theta - \sin \theta)$   
 where  $\theta = 2 \sin^{-1} \frac{b}{D}$   
 $\therefore$  Scar Volume =  $\frac{D^2 t}{8} \left[ 2 \sin^{-1} \frac{b}{D} - \sin \left( 2 \sin^{-1} \frac{b}{D} \right) \right]$

FIG. 5 Block Scar Volume Based on the Width of the Scar

10. Calculation

10.1 Calculation of Block Scar Volume:

10.1.1 Block scar volume may be derived from block scar width by using Table 1 (applicable only when ring diameter is  $34.99 \pm 0.025$  mm ( $1.377 \pm 0.001$  in.) and scar length (block width) is  $6.35 + 0.000, -0.025$  mm ( $0.250 + 0.000, -0.001$  in.)).

10.1.2 The preferred method of calculating block scar volume is by using the formula shown in Fig. 5. This formula may be programmed on a calculator or computer.

10.1.3 Block scar volume is not calculated generally from block mass loss because block mass is subject to effects of materials transfer, generation of oxide films, or penetration of the material by the lubricant. Keeping in mind the above factors, block mass loss may be interpreted semiquantitatively in a comparative evaluation of various material couples. If the block scar cannot be accurately measured following 9.21 and the guidance in Fig. 4, a scar volume should not be calculated, but a notation made of the problem; for example, material transfer, plastic deformation, and so forth.

10.2 Calculate coefficient of friction values from friction force values as follows:

$$f = F/W \tag{1}$$

where:

$f$  = coefficient of friction  
 $F$  = measured friction force, N (lbf), and  
 $W$  = normal force, N (lbf).

10.3 Calculate ring volume loss as follows:

$$\text{volume loss} = \frac{\text{ring mass loss}}{\text{ring density}} \tag{2}$$

NOTE 1—If the ring gains mass during the test, the volume loss is reported as zero with a notation that weight gain occurred. Mass loss is effected by material transfer from one component to another, by generation of oxide films, or by infiltration into porous material by the lubricant, or combinations thereof. If material transfer to the ring is obvious, then a ring scar volume should not be calculated from the weight loss measurement, but a notation should be made that material transfer occurred.

11. Report

11.1 Report any unusual event or an overload shutoff of the machine (on some machines it is possible to have an automatic shutoff at a preset frictional load). If the machine malfunctions or a test block has a tapered scar, the data shall not be used, and the test shall be rerun.

11.2 Report the following:

11.2.1 Test Parameters:

- 11.2.1.1 Block material and hardness (whenever applicable),
- 11.2.1.2 Ring material and hardness (whenever applicable),
- 11.2.1.3 Ring and block initial and final surface roughness,
- 11.2.1.4 Ring rpm,
- 11.2.1.5 Lubricant,
- 11.2.1.6 Test load,
- 11.2.1.7 Test distance (see 14.1), and
- 11.2.1.8 Number of duplicates run for each test condition.

TABLE 1 Block Scar Widths and Volumes for Blocks 6.35-mm Wide Mated Against Rings 34.99 mm in Diameter

Block Scar Width (mm)	Volume (mm <sup>3</sup> )	Width (mm)	Volume (mm <sup>3</sup> )	Width (mm)	Volume (mm <sup>3</sup> )	Block Scar Width (mm)	Volume (mm <sup>3</sup> )	Width (mm)	Volume (mm <sup>3</sup> )	Width (mm)	Volume (mm <sup>3</sup> )
0.30	0.0008	1.01	0.0312	1.72	0.1541	2.42	0.4295	3.12	0.9212	3.83	1.7062
0.31	0.0009	1.02	0.0321	1.73	0.1568	2.43	0.4348	3.13	0.9301	3.84	1.7196
0.32	0.0010	1.03	0.0331	1.74	0.1595	2.44	0.4402	3.14	0.9391	3.85	1.7331
0.33	0.0011	1.04	0.0340	1.75	0.1623	2.45	0.4456	3.15	0.9481	3.86	1.7467

**TABLE 1** *Continued*

Block Scar Width (mm)	Volume (mm <sup>3</sup> )	Width (mm)	Volume (mm <sup>3</sup> )	Width (mm)	Volume (mm <sup>3</sup> )	Block Scar Width (mm)	Volume (mm <sup>3</sup> )	Width (mm)	Volume (mm <sup>3</sup> )	Width (mm)	Volume (mm <sup>3</sup> )
0.34	0.0012	1.05	0.0350	1.76	0.1651	2.46	0.4511	3.16	0.9572	3.87	1.7603
0.35	0.0013	1.06	0.0360	1.77	0.1679	2.47	0.4567	3.17	0.9663	3.88	1.7740
0.36	0.0014	1.07	0.0371	1.78	0.1708	2.48	0.4622	3.18	0.9755	3.89	1.7878
0.37	0.0015	1.08	0.0381	1.79	0.1737	2.49	0.4679	3.19	0.9847	3.90	1.8017
0.38	0.0017	1.09	0.0392	1.80	0.1766	2.50	0.4735	3.20	0.9940	3.91	1.8156
0.39	0.0018	1.10	0.0403	1.81	0.1796	2.51	0.4792	3.21	1.0034	3.92	1.8296
0.40	0.0019	1.11	0.0414	1.82	0.1826	2.52	0.4850	3.22	1.0128	3.93	1.9437
0.41	0.0021	1.12	0.0425	1.83	0.1856	2.53	0.4908	3.23	1.0223	3.94	1.8578
0.42	0.0022	1.13	0.0437	1.84	0.1887	2.54	0.4966	3.24	1.0318	3.95	1.8720
0.43	0.0024	1.13	0.0448	1.85	0.1917	2.55	0.5025	3.25	1.0414	3.96	1.8863
0.44	0.0026	1.15	0.0460	1.86	0.1949	2.56	0.5085	3.26	1.0511	3.97	1.9007
0.45	0.0028	1.16	0.0472	1.87	0.1980	2.57	0.5145	3.27	1.0608	3.98	1.9151
0.46	0.0029	1.17	0.0485	1.88	0.2012	2.58	0.5205	3.28	1.0706	3.99	1.9296
0.47	0.0031	1.18	0.0497	1.89	0.2045	2.59	0.5266	3.29	1.0804		
0.48	0.0033	1.19	0.0510	1.90	0.2077	2.60	0.5327	3.30	1.0903	4.00	1.9442
0.49	0.0036	1.20	0.0523	1.91	0.2110	2.61	0.5389	3.31	1.1003	4.01	1.9589
0.50	0.0038	1.21	0.0536	1.92	0.2144	2.62	0.5451	3.32	1.1103	4.02	1.9736
0.51	0.0040	1.22	0.0550	1.93	0.2177	2.63	0.5514	3.33	1.1204	4.03	1.9884
0.52	0.0043	1.23	0.0563	1.94	0.2211	2.64	0.5577	3.34	1.1305	4.04	2.0033
0.53	0.0045	1.24	0.0577	1.95	0.2246	2.65	0.5641	3.35	1.1407	4.05	2.0183
0.54	0.0048	1.25	0.0591	1.96	0.2281	2.66	0.5705	3.36	1.1510	4.06	2.0333
0.55	0.0050	1.26	0.0606	1.97	0.2316	2.67	0.5770	3.37	1.1613	4.07	2.0484
0.56	0.0053	1.27	0.0620	1.98	0.235	2.68	0.5835	3.38	1.1717	4.08	2.0636
0.57	0.0056	1.28	0.0635	1.99	0.2387	2.69	0.5900	3.39	1.1822	4.09	2.0788
0.58	0.0059	1.29	0.0650			2.70	0.5967	3.40	1.1927	4.10	2.0941
0.59	0.0062	1.30	0.0665	2.00	0.2423	2.71	0.6033	3.41	1.2033	4.11	2.1095
0.60	0.0065	1.31	0.0681	2.01	0.2460	2.72	0.6100	3.42	1.2139	4.12	2.1250
0.61	0.0069	1.32	0.0696	2.02	0.2497	2.73	0.6168	3.43	1.2246	4.13	2.1406
0.62	0.0072	1.33	0.0712	2.03	0.2534	2.74	0.6236	3.44	1.2353	4.14	2.1562
0.63	0.0076	1.34	0.0728	2.04	0.2572	2.75	0.6305	3.45	1.2462	4.15	2.1719
0.64	0.0079	1.35	0.0745	2.05	0.2610	2.76	0.6374	3.46	1.2571	4.16	2.1877
0.65	0.0083	1.36	0.0761	2.06	0.2648	2.77	0.6443	3.47	1.2680	4.17	2.2036
0.66	0.0087	1.37	0.0778	2.07	0.2687	2.78	0.6513	3.48	1.2790	4.18	2.2195
0.67	0.0091	1.38	0.0796	2.08	0.2726	2.79	0.6584	3.49	1.2901	4.19	2.2355
0.68	0.0095	1.39	0.0813	2.09	0.2765	2.80	0.6655	3.50	1.3013	4.20	2.2516
0.69	0.0099	1.40	0.0831	2.10	0.2805	2.81	0.6727	3.51	1.3125	4.21	2.2678
0.70	0.0104	1.41	0.0849	2.11	0.2846	2.82	0.6799	3.52	1.3238	4.22	2.2840
0.71	0.0108	1.42	0.0867	2.12	0.2886	2.83	0.6872	3.53	1.3351	4.23	2.3003
0.72	0.0113	1.43	0.0885	2.13	0.2927	2.84	0.6945	3.54	1.3465	4.24	2.3167
0.73	0.0118	1.44	0.0904	2.14	0.2969	2.85	0.7019	3.55	1.3580	4.25	2.3332
0.74	0.0123	1.45	0.0923	2.15	0.3011	2.86	0.7093	3.56	1.3695	4.26	2.3498
0.75	0.0128	1.46	0.0942	2.16	0.3053	2.87	0.7168	3.57	1.3811	4.27	2.3664
0.76	0.0133	1.47	0.0962	2.17	0.3096	2.88	0.7243	3.58	1.3928	4.28	2.3831
0.77	0.0138	1.48	0.0981	2.18	0.3139	2.89	0.7319	3.59	1.4045	4.29	2.3999
0.78	0.0144	1.49	0.1001	2.19	0.3182	2.90	0.7395	3.60	1.4163	4.30	2.4168
0.79	0.0149	1.50	0.1022	2.20	0.3226	2.91	0.7472	3.61	1.4281	4.31	2.4338
0.80	0.0155	1.51	0.1042	2.21	0.3270	2.92	0.7549	3.62	1.4401	4.32	2.4508
0.81	0.0161	1.52	0.1063	2.22	0.3315	2.93	0.7627	3.63	1.4521	4.33	2.4679
0.82	0.0167	1.53	0.1084	2.23	0.3360	2.94	0.7706	3.64	1.4641	4.34	2.4851
0.83	0.0173	1.54	0.1106	2.24	0.3405	2.95	0.7785	3.65	1.4762	4.35	2.5024
0.84	0.0179	1.55	0.1127	2.25	0.3451	2.96	0.7864	3.66	1.4884	4.36	2.5197
0.85	0.0186	1.56	0.1149	2.26	0.3497	2.97	0.7944	3.67	1.5007	4.37	2.5371
0.86	0.0192	1.57	0.1172	2.27	0.3544	2.98	0.8025	3.68	1.5130	4.38	2.5547
0.87	0.0199	1.58	0.1194	2.28	0.3591	2.99	0.8106	3.69	1.5254	4.39	2.5723
0.88	0.0206	1.59	0.1217	2.29	0.3638			3.70	1.5379	4.40	2.5899
0.89	0.0213	1.60	0.1240	2.30	0.3686	3.00	0.8188	3.71	1.5504	4.41	2.6077
0.90	0.0221	1.61	0.1264	2.31	0.3735	3.01	0.8270	3.72	1.5630	4.42	2.6255
0.91	0.0228	1.62	0.1287	2.32	0.3783	3.02	0.8353	3.73	1.5757	4.43	2.6434
0.92	0.0236	1.63	0.1311	2.33	0.3833	3.03	0.8437	3.74	1.5884	4.44	2.6614
0.93	0.0243	1.64	0.1336	2.34	0.3882	3.04	0.8520	3.75	1.6012	4.45	2.6795
0.94	0.0251	1.65	0.1360	2.35	0.3932	3.05	0.8605	3.76	1.6141	4.46	2.6977
0.95	0.0259	1.66	0.1385	2.36	0.3983	3.06	0.8690	3.77	1.6270	4.47	2.7159
0.96	0.0268	1.67	0.1410	2.37	0.4034	3.07	0.8776	3.78	1.6401	4.48	2.7343
0.97	0.0276	1.68	0.1436	2.38	0.4085	3.08	0.8862	3.79	1.6531	4.49	2.7527
0.98	0.0285	1.69	0.1462	2.39	0.4137	3.09	0.8948	3.80	1.6663	4.50	2.7712
0.99	0.0294	1.70	0.1488	2.40	0.4189	3.10	0.9036	3.81	1.6795	4.51	2.7897
1.00	0.0303	1.71	0.1514	2.41	0.4242	3.11	0.9124	3.82	1.6928	4.52	2.8084
4.53	2.8272	4.91	3.6032	5.28	4.4849	5.66	5.5303	6.03	6.6946	6.41	8.0512
4.54	2.8460	4.92	3.6253	5.29	4.5105	5.67	5.5599	6.04	6.7282	6.42	8.0892
4.55	2.8649	4.93	3.6476	5.30	4.5363	5.68	5.5895	6.05	6.7618	6.43	8.1274
4.56	2.8839	4.94	3.6699	5.31	4.5621	5.69	5.6192	6.06	6.7956	6.44	8.1656
4.57	2.9030	4.95	3.6923	5.32	4.5881	5.70	5.6491	6.07	6.8295	6.45	8.2040
4.58	2.9221	4.96	3.7148	5.33	4.6141	5.71	5.6790	6.08	6.8636	6.46	8.2425
4.59	2.9414	4.97	3.7375	5.34	4.6403	5.72	5.7091	6.09	6.8977	6.47	8.2811

**TABLE 1** *Continued*

Block Scar Width (mm)	Volume (mm <sup>3</sup> )	Width (mm)	Volume (mm <sup>3</sup> )	Width (mm)	Volume (mm <sup>3</sup> )	Block Scar Width (mm)	Volume (mm <sup>3</sup> )	Width (mm)	Volume (mm <sup>3</sup> )	Width (mm)	Volume (mm <sup>3</sup> )
4.60	2.9607	4.98	3.7601	5.35	4.6665	5.73	5.7392	6.10	6.9319	6.48	8.3198
4.61	2.9801	4.99	3.7829	5.36	4.6929	5.74	5.7695	6.11	6.9663	6.49	8.3586
4.62	2.9996			5.37	4.7193	5.75	5.7999	6.12	7.0008	6.50	8.3976
4.63	3.0192	5.00	3.8058	5.38	4.7458	5.76	5.8303	6.13	7.0354	6.51	8.4367
4.64	3.0389	5.01	3.8288	5.39	4.7725	5.77	5.8609	6.14	7.0701	6.52	8.4759
4.65	3.0587	5.02	3.8519	5.40	4.7992	5.78	5.8916	6.15	7.1049	6.53	8.5153
4.66	3.0785	5.03	3.8750	5.41	4.8261	5.79	5.9224	6.16	7.1398	6.54	8.5547
4.67	3.0984	5.04	3.8983	5.42	4.8530	5.80	5.9533	6.17	7.1749	6.55	8.5943
4.68	3.1185	5.05	3.9216	5.43	4.8800	5.81	5.9844	6.18	7.2100	6.56	8.6340
4.69	3.1386	5.06	3.9451	5.44	4.9072	5.82	6.0155	6.19	7.2453	6.57	8.6739
4.70	3.1588	5.07	3.9686	5.45	4.9344	5.83	6.0467	6.20	7.2807	6.58	8.7138
4.71	3.1790	5.08	3.9922	5.46	4.9618	5.84	6.0781	6.21	7.3162	6.59	8.7539
4.72	3.1994	5.09	4.0160	5.47	4.9892	5.85	6.1095	6.22	7.3519	6.60	8.7941
4.73	3.2199	5.10	4.0398	5.48	5.0168	5.86	6.1411	6.23	7.3876	6.61	8.8344
4.74	3.2404	5.11	4.0637	5.49	5.0444	5.87	6.1728	6.24	7.4235	6.62	8.8749
4.75	3.2610	5.12	4.0877	5.50	5.0722	5.88	6.2045	6.25	7.4595	6.63	8.9154
4.76	3.2818	5.13	4.1118	5.51	5.1001	5.89	6.2364	6.26	7.4956	6.64	8.9562
4.77	3.3026	5.14	4.1360	5.52	5.1280	5.90	6.2684	6.27	7.5318	6.65	8.9970
4.78	3.3235	5.15	4.1603	5.53	5.1561	5.91	6.3006	6.28	7.5681	6.66	9.0379
4.79	3.3444	5.16	4.1847	5.54	5.1842	5.92	6.3328	6.29	7.6046	6.67	9.0790
4.80	3.3655	5.17	4.2092	5.55	5.2125	5.93	6.3651	6.30	7.6411	6.68	9.1202
4.81	3.3867	5.18	4.2338	5.56	5.2409	5.94	6.3976	6.31	7.6778	6.69	9.1615
4.82	3.4079	5.19	4.2584	5.57	5.2694	5.95	6.4301	6.32	7.7146	6.70	9.2030
4.83	3.4293	5.20	4.2832	5.58	5.2979	5.96	6.4628	6.33	7.7515	6.71	9.2446
4.84	3.4507	5.21	4.3081	5.59	5.3266	5.97	6.4956	6.34	7.7886	6.72	9.2863
4.85	3.4722	5.22	4.3330	5.60	5.3554	5.98	6.5285	6.35	7.8258	6.73	9.3281
4.86	3.4938	5.23	4.3581	5.61	5.3843	5.99	6.5615	6.36	7.8630	6.74	9.3701
4.87	3.5155	5.24	4.3833	5.62	5.4133			6.37	7.9004	6.75	9.4122
4.88	3.5373	5.25	4.4085	5.63	5.4424	6.00	6.5946	6.38	7.9380	6.76	9.4544
4.89	3.5592	5.26	4.4339	5.64	5.4716	6.01	6.6278	6.39	7.9756		
4.90	3.5811	5.27	4.4593	5.65	5.5009	6.02	6.6611	6.40	8.0134		

11.2.2 *Results*—report the average and the coefficient of variation (the coefficient of variation is the standard deviation divided by the average; it is expressed as a percent).

11.2.2.1 Block scar width, mm,

11.2.2.2 Block scar volume, mm<sup>3</sup>, calculated from scar width,

11.2.2.3 Ring weight loss, mg,

11.2.2.4 Ring scar volume, mm<sup>3</sup>,<sup>6</sup> and

11.2.2.5 Final dynamic coefficient of friction.

11.2.3 *Reporting Optional:*

11.2.3.1 Block weight loss, mg,

11.2.3.2 Ring heat treatment,

11.2.3.3 Block heat treatment,

11.2.3.4 Lubricant composition, and

11.2.3.5 Coefficient of friction (initial static and dynamic friction and final dynamic friction).

## 12. Precision and Bias

12.1 The precision and bias of the measurements obtained with this test procedure will depend upon strict adherence to the stated test procedure.

12.2 The consistency of agreement in repeated tests on the same material will depend upon material homogeneity, machine and material interaction, and close observation of the test by a competent machine operator.

<sup>6</sup> When reporting results, ring scar volumes should only be reported if all duplicate rings lost weight and the average weight loss exceeds 1 mg. Otherwise, ring scar volume should be reported as “too small to accurately measure; ring weight loss did not exceed 1 mg.”

12.3 **Table X1.3** and **Table X1.4** show representative coefficients of variation which were obtained in the interlaboratory tests with metals.

12.3.1 The variation on block scar width (lubricated tests) is in line with the variations specified in the calibration Test Method **D2714**.

12.3.2 Because the block scar volume calculation involves essentially a cubing of the scar width measurement, the coefficient of variation for block scar volume is substantially higher than that for block scar width.

12.3.3 Because dry tests are so sensitive to initial surface condition, such as adsorbed films, and to ambient conditions, for instance humidity, the coefficients of variation tend to run higher in dry as opposed to lubricated tests.

12.3.4 If a material couple is run in this test under conditions which are borderline for galling, significantly higher coefficients of variation for block scar width and volume may occur. In this case, it is suggested that the materials be run under less severe conditions; for example, at lower load.

12.3.5 Conversely, coefficients of variation may run higher in tests where very little wear occurs if one approaches the limits of measurement precision. In this case, it is recommended that more severe conditions, for instance higher load or longer running time, be used.

12.3.6 In order to achieve a high confidence level in evaluating test results, it is desirable to run a large number of replicate tests. However, this can be quite expensive. One must, therefore, determine an acceptable sample size, balancing cost against allowable sampling error and taking into account the coefficient of variation of the test procedure. Because the coefficients of variation run rather high in the

block-on-ring test, a minimum of three duplicate tests is required for meaningful test results. Even with three duplicates the sampling error is *greater than* the coefficient of variation of the test for the data obtained in the interlaboratory tests. A sample size of four results in a sampling error that is equal to the coefficient of variation of the test. Sampling error may be reduced by further increasing sample size. The relationship in Practice E122 between sample size ( $n$ ), sampling error ( $e$ ), and test coefficient of variation ( $v$ ) is expressed by the following formula:

$$n = (1.96v/e)^2 \quad (3)$$

12.3.7 The following are the average values and 95 % confidence limits for round robin three for metals. For an H-60 block and a S-10 ring, dry, the average value of the wear volume on the block is 0.65 mm<sup>3</sup> for a 5400 rev (197 rpm) and 134 N test; the 95 % confidence limit within a laboratory is 0.47 mm<sup>3</sup>; and the 95 % confidence limit between laboratories is 0.67 mm<sup>3</sup>. The average value of the wear scar width is 2.76 mm; the 95 % confidence limit within a laboratory is 0.076 mm; and the 95 % confidence limit between laboratories is 0.47 mm. The average value of the wear volume on the block with mineral oil lubrication is 0.047 mm<sup>3</sup> for a 10 800 rev (197 rpm) and 803 N test; the 95 % confidence limit within a laboratory is 0.020 mm<sup>3</sup>; and the 95 % confidence limit between laboratories is 0.57 mm<sup>3</sup>. The average value of the wear scar width is 1.09 mm; the 95 % confidence limit with a laboratory is 0.098 mm; and the 95 % confidence limit between laboratories is 0.27 mm. The average value of the wear volume on the block without lubrication is 0.71 mm<sup>3</sup> for a 5 400 rev (72 rpm) and 134 N test; the 95 % confidence limit within a laboratory is 0.74 mm<sup>3</sup>; and the 95 % confidence limit between laboratories is 0.83 mm<sup>3</sup>. The average value of the wear scar width is 2.83 mm; the 95 % confidence limit with a laboratory is 1.02 mm; and the 95 % confidence limit between laboratories is 1.12 mm.

12.4 *Bias*—This test method has no bias since the values determined are specific to this test.

### 13. Typical Test Values (from Interlaboratory Test Experience)

13.1 Typical test results are listed in Appendix X1. For metals these comprise interlaboratory tests two and three by the Alpha Wear Task Group of Committee G02. Obviously, the range of materials run in the interlaboratory tests was quite limited. Coefficients of variation may be different for other classes of materials.

### 14. Discussion

14.1 Wear is usually *not* linear with sliding distance in this test. Therefore, test results may only be compared for tests run for the same number of revolutions.

14.2 Because there is initial line contact between the block and the ring, initial Hertzian stresses tend to run quite high in this test. The formula for calculating the maximum Hertzian stress for elastic materials is:

$$\sigma = 0.798 \sqrt{\frac{W}{tD \left[ \frac{1 - \nu_1^2}{E_1} + \frac{1 - \nu_2^2}{E_2} \right]}} \quad (4)$$

for nonself-mating wear tests, and:

$$\sigma = 0.564 \sqrt{\frac{WE_1}{tD(1 - \nu_1^2)}} \quad (5)$$

for self-mating wear tests or for materials with same elastic constants,

where:

- $\sigma$  = maximum compressive stress, MPa (psi),
- $W$  = normal load, N (lbf),
- $t$  = block width, mm (in.),
- $D$  = ring diameter, mm (in.),
- $\nu_1$  = Poisson's ratio of block,
- $\nu_2$  = Poisson's ratio of ring,
- $E_1$  = elastic modulus of block, MPa (psi), and
- $E_2$  = elastic modulus of ring, MPa (psi).

### 15. Keywords

15.1 block-on-ring; metal; sliding; wear; wear test

## APPENDIX

### (Nonmandatory Information)

#### X1. INTERLABORATORY TEST RESULTS

X1.1 Interlaboratory tests two and three with metals were run using S-10 rings and H-30 and H-60 blocks from Falex Corp. The S-10 rings are steel type 4620 of surface hardness 58 to 63 HRC. The H-30 blocks are 01 tool steel of hardness 30 HRC. The H-60 blocks are 01 tool steel of hardness 60 HRC. See Tables X1.1-X1.4.

X1.1.1 The mineral oil used in the lubricated tests is USP heavy mineral oil, Saybolt 340 to 350 viscosity. This may be purchased at any drugstore.

X1.2 *Statistical Symbols*—Additional symbols can be found in Practice E177.

- $p$  = number of laboratories
- $n$  = number of replicates
- $x_j$  = an individual test result

- $\bar{x}_j$  = average of a cell. (A cell is defined as the set of replicate test results for a particular parameter or variable, as measured in a single laboratory for a single material.)
- $\bar{x}$  = the average of cell averages for a material
- $d_j$  = deviation of a cell =  $\bar{x}_j - \bar{x}$
- $S_j$  = standard deviation of a cell
- $S_{\bar{x}}$  = standard deviation of cell averages
- $S_r$  = repeatability standard deviation
- $S_R$  = reproducibility standard deviation
- $V_r$  = estimated relative standard deviation or coefficient of variation within a laboratory for the parameter measured (repeatability) =  $100(S_r/\bar{x})\%$
- $V_R$  = estimated relative standard deviation or coefficient of variation between laboratories for the parameter measured (reproducibility) =  $100(S_R/\bar{x})\%$

X1.3 *Statistical Relationships*—Additional statistical relationships can be found in Practice E691.

$$S^2 = \sum_{i=1}^n (x_i - \bar{x}_j)^2 / (n - 1) \quad (X1.1)$$

$$S_{\bar{x}}^2 = \sum_{j=1}^p d_j^2 / (p - 1)$$

$$S_r^2 = \sum_{j=1}^p S_j^2 / p$$

$$S_R^2 = S_{\bar{x}}^2 + S_r^2 (n - 1) / n$$

**TABLE X1.1 Summary of the Test Results Obtained from Interlaboratory Test Number 2**

NOTE 1—The test conditions used are listed in Table X1.3 in order.

Laboratory	Averages ( $\bar{x}_j$ )					Deviation from Average ( $d_j$ )					Standard Deviation ( $S_j$ )			
	Block Scar Width (mm)	Block Scar Volume (mm <sup>3</sup> )	Ring Scar Volume (mm <sup>3</sup> )	Final Dynamic Friction		Block Scar Width (mm)	Block Scar Volume (mm <sup>3</sup> )	Ring Scar Volume (mm <sup>3</sup> )	Final Dynamic Friction		Block Scar Width (mm)	Block Scar Volume (mm <sup>3</sup> )	Ring Scar Volume (mm <sup>3</sup> )	Final Dynamic Friction
A	4.350	2.490	<sup>A</sup>	0.120		0.1733	0.2633	...	-0.0100		0.087	0.1992	...	0.0100
C	4.300	2.410	<sup>A</sup>	0.170		0.1233	0.1833	...	0.0300		0.219	0.3856	...	0.0060
D	3.880	1.780	<sup>A</sup>	0.130		-0.2967	-0.4467	...	-0.0100		0.210	0.2848	...	0.0210
B								unable to run this load						
Col. Avg. ( $\bar{x}$ )	4.177	2.227	...	0.140	( $S_{\bar{x}}$ )	0.258	0.389	...	0.023	(Sr)	0.182	0.300	...	0.014
A	2.790	0.658	<sup>A</sup>	0.090		0.6875	0.3388	...	0.0900		0.114	0.0790	...	0.0099
B	1.860	0.196	<sup>A</sup>	0.090		-0.2425	-0.1233	...	-0.0267		0.279	0.0823	...	0.0333
C	2.120	0.289	<sup>A</sup>	0.140		0.0175	-0.0303	...	0.0233		0.318	0.1301	...	0.0073
D	1.640	0.134	<sup>A</sup>	0.120		-0.4625	-0.1853	...	0.0033		0.230	0.0563	...	0.0000
Col. Avg. ( $\bar{x}$ )	2.103	0.319	...	0.117	( $S_{\bar{x}}$ )	0.499	0.235	...	0.025	(Sr)	0.247	0.091	...	0.018
A	0.990	0.030	<sup>A</sup>	0.090		-0.0933	-0.0110	...	0.0900		0.078	0.0075	...	0.0000
C	0.990	0.030	<sup>A</sup>	0.130		-0.0933	-0.0110	...	0.0200		0.000	0.0000	...	0.0056
D	1.270	0.063	<sup>A</sup>	0.110		0.1867	0.0220	...	0.0000		0.076	0.0113	...	0.0167
B								unable to run this load						
Col. Avg. ( $\bar{x}$ )	1.083	0.041	...	0.110	( $S_{\bar{x}}$ )	0.162	0.019	...	0.065	(Sr)	0.063	0.008	...	0.010
A	1.040	0.034	<sup>A</sup>	0.110		0.0300	0.0025	...	...		0.038	0.0041	...	0.0060
B	0.970	0.028	<sup>A</sup>	0.080		-0.0400	-0.0035	...	-0.0100		0.006	0.0005	...	0.0112
C	1.040	0.034	<sup>A</sup>	0.070		0.0300	0.0025	...	-0.0200		0.050	0.0048	...	0.0056
D	0.990	0.030	<sup>A</sup>	0.120		-0.0200	-0.0015	...	0.0300		0.042	0.0036	...	0.0149
Col. Avg. ( $\bar{x}$ )	1.010	0.032	...	0.090	( $S_{\bar{x}}$ )	0.036	0.003	...	0.026	(Sr)	0.038	0.004	...	0.010
A	1.140	0.045	<sup>A</sup>	0.080		-0.0075	-0.0010	...	...		0.114	0.0171	...	0.0000
B	1.170	0.049	<sup>A</sup>	0.070		0.0225	0.0030	...	-0.0223		0.021	0.0025	...	0.0055
C	1.140	0.045	<sup>A</sup>	0.120		-0.0075	-0.0010	...	0.0277		0.058	0.0072	...	0.0060
D	1.140	0.045	<sup>A</sup>	0.087		-0.0075	-0.0010	...	-0.0053		0.125	0.0149	...	0.0148
Col. Avg. ( $\bar{x}$ )	1.148	0.046	...	0.092	( $S_{\bar{x}}$ )	0.015	0.002	...	0.025	(Sr)	0.090	0.012	...	0.008

<sup>A</sup>Average weight loss was not greater than 1 mg.

**TABLE X1.2 Summary of the Test Results Obtained from Interlaboratory Test Number 3**

NOTE 1—The test conditions used are listed in Table X1.4 in order.

Laboratory	Averages ( $\bar{x}$ )				Deviation from Average ( $d$ )				Standard Deviation ( $S$ )			
	Block Scar	Block Scar	Ring Scar	Final Dynamic Friction	Block Scar	Block Scar	Ring Scar	Final Dynamic Friction	Block Scar	Block Scar	Ring Scar	Final Dynamic Friction
A	3.070	0.860	0.345	...	0.2375	0.1527	-0.1200	...	0.070	0.0378	0.107	...
B	2.570	0.515	0.771	0.598	-0.2625	-0.1923	0.3060	0.0287	0.334	0.1957	0.551	0.0138
C	3.020	0.877	0.468	0.670	0.1875	0.1697	0.0030	0.1007	0.453	0.4034	0.2059	0.0576
D	2.670	0.577	0.276	0.440	-0.1625	-0.1303	-0.1890	-0.1293	0.454	0.2827	0.207	0.2376
Col. Avg. ( $\bar{x}$ )	2.833	0.707	0.465	0.569	( $S\bar{x}$ ) 0.250	0.188	0.219	0.118	( $Sr$ ) 0.363	0.266	0.316	0.141
A	1.140	0.072	<sup>A</sup> ...	...	0.0475	0.0252	...	...	0.015	0.0069	...	...
B	1.050	0.035	<sup>A</sup> ...	0.071	-0.0425	-0.0117	...	-0.0033	0.002	0.0085	...	0.0006
C	0.990	0.029	<sup>A</sup> ...	0.080	-0.1025	-0.0178	...	0.0057	0.050	0.0044	...	0.0100
D	1.190	0.051	<sup>A</sup> ...	0.072	0.0975	0.0042	...	-0.0023	0.048	0.0061	...	0.0252
Col. Avg. ( $\bar{x}$ )	1.093	0.047	...	0.074	( $S\bar{x}$ ) 0.090	0.019	...	0.005	( $Sr$ ) 0.035	0.007	...	0.016
A	3.050	0.881	0.323	...	0.2950	0.2280	-0.1000	...	0.043	0.0608	0.033	...
B	2.870	0.717	0.151	0.588	0.1150	0.0640	-0.2720	0.0320	0.184	0.1362	0.128	0.0006
C	2.440	0.443	0.855	0.590	-0.3150	-0.2100	0.4320	0.0340	0.222	0.1285	0.142	0.0100
D	2.660	0.571	0.363	0.490	-0.0950	-0.0820	-0.0600	-0.0660	0.452	0.2741	0.217	0.0252
Col. Avg. ( $\bar{x}$ )	2.755	0.653	0.423	0.556	( $S\bar{x}$ ) 0.264	0.189	0.302	0.057	( $Sr$ ) 0.269	0.169	0.146	0.016

<sup>A</sup>Average weight loss was not greater than 1 mg.

**TABLE X1.3 Statistical Analyses of the Test Results from Interlaboratory Test Number 2**

Test Material & Conditions	Measured Parameters	$\bar{x}$	$S_r$	$S_R$	$V_r$ (%)
Interlaboratory Test #2					
H-30 block versus S-10 ring, r/min = 197	block scar width (mm)	4.177	0.182	0.298	4.4
revolutions = 5400	block scar volume (mm <sup>3</sup> )	2.227	0.300	0.460	13.5
load = 2006 N (450 lb)	ring scar volume (mm <sup>3</sup> )				
lubricant = mineral oil	final dynamic friction	0.140	0.014	0.026	9.9
Interlaboratory Test #2					
H-30 block versus S-10 ring, r/min = 197	block scar width (mm)	2.102	0.247	0.543	11.8
revolutions = 5400	block scar volume (mm <sup>3</sup> )	0.319	0.091	0.246	28.5
load = 803 N (180 lb)	ring scar volume				
lubricant = mineral oil	final dynamic friction	0.117	0.018	0.018	15.2
Interlaboratory Test #2					
H-60 block versus S-10 ring, r/min = 197	block scar width (mm)	1.083	0.063	0.170	5.8
revolutions = 5400	block scar volume (mm <sup>3</sup> )	0.041	0.008	0.020	19.1
load = 2006 N (450 lb)	ring scar volume (mm <sup>3</sup> )				
lubricant = mineral oil	final dynamic friction	0.110	0.101	0.066	9.2
Interlaboratory Test #2					
H-60 block versus S-10 ring, r/min = 197	block scar width (mm)	1.01	0.038	0.048	3.8
revolutions = 5400	block scar volume (mm <sup>3</sup> )	0.032	0.004	0.004	11.6
load = 803 N (180 lb)	ring scar volume (mm <sup>3</sup> )				
lubricant = mineral oil	final dynamic friction	0.092	0.010	0.010	11.3
Interlaboratory Test #2					
H-60 block versus S-10 ring, r/min = 197	block scar width (mm)	1.148	0.09	0.09	7.8
revolution = 10 800	block scar volume (mm <sup>3</sup> )	0.046	0.012	0.012	25.9
load = 803 N (180 lb)	ring scar volume (mm <sup>3</sup> )				
lubricant = mineral oil	final dynamic friction	0.092	0.008	0.027	9.1

**TABLE X1.4 Statistical Analyses of the Test Results from Interlaboratory Test Number 3**

Test Material & Conditions	Measured Parameters	$\bar{x}$	$S_r$	$S_R$	$V_r$ (%)
Interlaboratory #3					
H-60 block versus S-10 ring, r/min = 72	block scar width (mm)	2.833	0.363	0.401	12.8
revolutions = 5400	block scar volume (mm <sup>3</sup> )	0.707	0.266	0.297	37.6
load = 134 N (30 lb)	ring scar volume (mm <sup>3</sup> )	0.465	0.316	0.350	68.0
lubricant = dry	final dynamic friction	0.569	0.141	0.170	24.9
Interlaboratory #3					
H-60 block versus S-10 ring, r/min = 197	block scar width (mm)	2.755	0.027	0.228	1.0
revolutions = 10 800	block scar volume (mm <sup>3</sup> )	0.653	0.169	0.239	25.9
load = 803 N (180 lb)	ring scar volume (mm <sup>3</sup> )	0.423	0.146	0.328	34.5
lubricant = mineral oil	final dynamic friction	0.556	0.016	0.059	2.9
Interlaboratory #3					
H-60 block versus S-10 ring, r/min = 197	block scar width (mm)	1.093	0.035	0.095	3.2
revolutions = 5400	block scar volume (mm <sup>3</sup> )	0.047	0.007	0.202	14.9
load = 134 N (30 lb)	ring scar volume (mm <sup>3</sup> )	0.423	0.217	0.35	51.3
lubricant = mineral oil	final dynamic friction	0.074	0.016	0.160	21.6

*ASTM International takes no position respecting the validity of any patent rights asserted in connection with any item mentioned in this standard. Users of this standard are expressly advised that determination of the validity of any such patent rights, and the risk of infringement of such rights, are entirely their own responsibility.*

*This standard is subject to revision at any time by the responsible technical committee and must be reviewed every five years and if not revised, either reapproved or withdrawn. Your comments are invited either for revision of this standard or for additional standards and should be addressed to ASTM International Headquarters. Your comments will receive careful consideration at a meeting of the responsible technical committee, which you may attend. If you feel that your comments have not received a fair hearing you should make your views known to the ASTM Committee on Standards, at the address shown below.*

*This standard is copyrighted by ASTM International, 100 Barr Harbor Drive, PO Box C700, West Conshohocken, PA 19428-2959, United States. Individual reprints (single or multiple copies) of this standard may be obtained by contacting ASTM at the above address or at 610-832-9585 (phone), 610-832-9555 (fax), or [service@astm.org](mailto:service@astm.org) (e-mail); or through the ASTM website ([www.astm.org](http://www.astm.org)). Permission rights to photocopy the standard may also be secured from the Copyright Clearance Center, 222 Rosewood Drive, Danvers, MA 01923, Tel: (978) 646-2600; <http://www.copyright.com/>*