



Standard Practice for Exposing Nonmetallic Materials in Accelerated Test Devices that Use Laboratory Light Sources¹

This standard is issued under the fixed designation G151; the number immediately following the designation indicates the year of original adoption or, in the case of revision, the year of last revision. A number in parentheses indicates the year of last reapproval. A superscript epsilon (ϵ) indicates an editorial change since the last revision or reapproval.

1. Scope

1.1 This practice provides general procedures to be used when exposing nonmetallic materials in accelerated test devices that use laboratory light sources. Detailed information regarding procedures to be used for specific devices are found in standards describing the particular device being used. For example, detailed information covering exposures in devices that use open flame carbon arc, enclosed carbon arc, xenon arc and fluorescent UV light source are found in Practices [G152](#), [G153](#), [G154](#), and [G155](#) respectively.

NOTE 1—Carbon-arc, xenon arc, and fluorescent UV exposures were also described in Practices [G23](#), [G26](#), and [G53](#) which referred to very specific equipment designs. Practices [G152](#), [G153](#), and [G154](#), and [G155](#) are performance based standards that replace Practices [G23](#), [G26](#), and [G53](#).

1.2 This practice also describes general performance requirements for devices used for exposing nonmetallic materials to laboratory light sources. This information is intended primarily for producers of laboratory accelerated exposure devices.

1.3 This practice provides information on the use and interpretation of data from accelerated exposure tests. Specific information about methods for determining the property of a nonmetallic material before and after exposure are found in standards describing the method used to measure each property. Information regarding the reporting of results from exposure testing of plastic materials is described in Practice [D5870](#).

NOTE 2—Guide [G141](#) provides information for addressing variability in exposure testing of nonmetallic materials. Guide [G169](#) provides information for application of statistics to exposure test results

NOTE 3—This standard is technically equivalent to ISO 4892, Part 1.

1.4 *This standard does not purport to address all of the safety concerns, if any, associated with its use. It is the responsibility of the user of this standard to establish appro-*

priate safety and health practices and determine the applicability of regulatory limitations prior to use.

2. Referenced Documents

2.1 ASTM Standards:²

- [D618 Practice for Conditioning Plastics for Testing](#)
- [D3924 Specification for Environment for Conditioning and Testing Paint, Varnish, Lacquer, and Related Materials](#)
- [D5870 Practice for Calculating Property Retention Index of Plastics](#)
- [E41 Terminology Relating To Conditioning](#)
- [E171 Practice for Conditioning and Testing Flexible Barrier Packaging](#)
- [E644 Test Methods for Testing Industrial Resistance Thermometers](#)
- [E691 Practice for Conducting an Interlaboratory Study to Determine the Precision of a Test Method](#)
- [E772 Terminology of Solar Energy Conversion](#)
- [E839 Test Methods for Sheathed Thermocouples and Sheathed Thermocouple Cable](#)
- [G23 Practice for Operating Light-Exposure Apparatus \(Carbon-Arc Type\) With and Without Water for Exposure of Nonmetallic Materials \(Withdrawn 2000\)³](#)
- [G26 Practice for Operating Light-Exposure Apparatus \(Xenon-Arc Type\) With and Without Water for Exposure of Nonmetallic Materials \(Discontinued 2001\) \(Withdrawn 2000\)³](#)
- [G53 Practice for Operating Light-and Water-Exposure Apparatus \(Fluorescent UV-Condensation Type\) for Exposure of Nonmetallic Materials \(Withdrawn 2000\)³](#)
- [G113 Terminology Relating to Natural and Artificial Weathering Tests of Nonmetallic Materials](#)
- [G130 Test Method for Calibration of Narrow- and Broad-Band Ultraviolet Radiometers Using a Spectroradiometer](#)
- [G141 Guide for Addressing Variability in Exposure Testing of Nonmetallic Materials](#)

¹ This practice is under the jurisdiction of ASTM Committee [G03](#) on Weathering and Durability and is the direct responsibility of Subcommittee [G03.03](#) on Simulated and Controlled Exposure Tests.

Current edition approved April 1, 2010. Published May 2010. Originally approved in 1997. Last previous edition approved in 2009 as G151 – 09. DOI: 10.1520/G0151-10.

² For referenced ASTM standards, visit the ASTM website, www.astm.org, or contact ASTM Customer Service at service@astm.org. For *Annual Book of ASTM Standards* volume information, refer to the standard's Document Summary page on the ASTM website.

³ The last approved version of this historical standard is referenced on www.astm.org.

- G147** Practice for Conditioning and Handling of Nonmetallic Materials for Natural and Artificial Weathering Tests
- G152** Practice for Operating Open Flame Carbon Arc Light Apparatus for Exposure of Nonmetallic Materials
- G153** Practice for Operating Enclosed Carbon Arc Light Apparatus for Exposure of Nonmetallic Materials
- G154** Practice for Operating Fluorescent Ultraviolet (UV) Lamp Apparatus for Exposure of Nonmetallic Materials
- G155** Practice for Operating Xenon Arc Light Apparatus for Exposure of Non-Metallic Materials
- G156** Practice for Selecting and Characterizing Weathering Reference Materials
- G169** Guide for Application of Basic Statistical Methods to Weathering Tests
- G177** Tables for Reference Solar Ultraviolet Spectral Distributions: Hemispherical on 37° Tilted Surface

2.2 ISO Standards:

ISO 4892, Part 1 Plastics: Exposure to laboratory Light Sources—General Guidance⁴

ISO 9370 Plastics: Instrumental Determination of Radiant Exposure in Weathering Tests—General Guidance and Basic Test Method⁴

2.3 CIE Document:

CIE Publication Number 85: 1989 Technical Report—Solar Spectral Irradiance⁵

2.4 ASTM Adjuncts:

SMARTS2, Simple Model for Atmospheric Transmission of Sunshine⁶

3. Terminology

3.1 Definitions—The definitions given in Terminologies **E41**, **E772**, and **G113** are applicable to this practice.

4. Significance and Use

4.1 Significance:

4.1.1 When conducting exposures in devices that use laboratory light sources, it is important to consider how well the accelerated test conditions will reproduce property changes and failure modes associated with end-use environments for the materials being tested. In addition, it is essential to consider the effects of variability in both the accelerated test and outdoor exposures when setting up exposure experiments and when interpreting the results from accelerated exposure tests.

4.1.2 No laboratory exposure test can be specified as a total simulation of actual use conditions in outdoor environments. Results obtained from these laboratory accelerated exposures can be considered as representative of actual use exposures only when the degree of rank correlation has been established for the specific materials being tested and when the type of degradation is the same. The relative durability of materials in actual use conditions can be very different in different locations

⁴ Available from American National Standards Institute (ANSI), 25 W. 43rd St., 4th Floor, New York, NY 10036, <http://www.ansi.org>.

⁵ Available from the Commission Internationale de L'Eclairage, CIE, Central Bureau, Kegelegasse 27, A-1030 Vienna, Austria or the U.S. National Committee for CIE, National Institute for Science and Technology, Gaithersburg, MD.

⁶ Available from ASTM International Headquarters. Order Adjunct No. **ADJG173CD**. Original adjunct produced in 2005.

because of differences in UV radiation, time of wetness, relative humidity, temperature, pollutants, and other factors. Therefore, even if results from a specific exposure test conducted according to this practice are found to be useful for comparing the relative durability of materials exposed in a particular exterior environment, it cannot be assumed that they will be useful for determining relative durability of the same materials for a different environment.

4.1.3 Even though it is very tempting, calculation of an *acceleration factor* relating x h or megajoules of radiant exposure in a laboratory accelerated test to y months or years of exterior exposure is not recommended. These acceleration factors are not valid for several reasons.

4.1.3.1 Acceleration factors are material dependent and can be significantly different for each material and for different formulations of the same material.

4.1.3.2 Variability in the rate of degradation in both actual use and laboratory accelerated exposure test can have a significant effect on the calculated acceleration factor.

4.1.3.3 Acceleration factors calculated based on the ratio of irradiance between a laboratory light source and solar radiation, even when identical bandpasses are used, do not take into consideration the effects on a material of irradiance, temperature, moisture, and differences in spectral power distribution between the laboratory light source and solar radiation.

NOTE 4—If use of an acceleration factor is desired in spite of the warnings given in this practice, such acceleration factors for a particular material are only valid if they are based on data from a sufficient number of separate exterior and laboratory accelerated exposures so that results used to relate times to failure in each exposure can be analyzed using statistical methods. An example of a statistical analysis using multiple laboratory and exterior exposures to calculate an acceleration factor is described by J.A. Simms (**1**).⁷

4.1.4 There are a number of factors that may decrease the degree of correlation between accelerated tests using laboratory light sources and exterior exposures. More specific information on how each factor may alter stability ranking of materials is given in **Appendix X1**.

4.1.4.1 Differences in the spectral distribution between the laboratory light source and solar radiation.

4.1.4.2 Light intensities higher than those experienced in actual use conditions.

4.1.4.3 Test conditions where specimens are exposed continuously to light when actual use conditions provide alternate periods of light and dark.

4.1.4.4 Specimen temperatures higher than those in actual conditions.

4.1.4.5 Exposure conditions that produce unrealistic temperature differences between light and dark colored specimens.

4.1.4.6 Exposure conditions that do not have any temperature cycling or that produce temperature cycling, or thermal shock, or both, that is not representative of use conditions.

4.1.4.7 Unrealistically high or low levels of moisture.

4.1.4.8 Absence of biological agents or pollutants.

4.2 Use of Accelerated Tests with Laboratory Light Sources:

⁷ The boldface numbers in parentheses refer to the list of references at the end of this standard.

4.2.1 Results from accelerated exposure tests conducted according to this standard are best used to compare the relative performance of materials. A common application is conducting a test to establish that the level of quality of different batches does not vary from a control material with known performance. Comparisons between materials are best made when they are tested at the same time in the same exposure device. Results can be expressed by comparing the exposure time or radiant exposure necessary to change a characteristic property to some specified level.

4.2.1.1 Reproducibility of test results between laboratories has been shown to be good when the stability of materials is evaluated in terms of performance ranking compared to other materials or to a control;^{8,9} therefore, exposure of a similar material of known performance (a control) at the same time as the test materials is strongly recommended.

4.2.2 In some applications, weathering reference materials are used to establish consistency of the operating conditions in an exposure test.

4.2.3 Reference materials, for example, blue wool test fabric, also may be used for the purpose of timing exposures. In some cases, a reference material is exposed at the same time as a test material and the exposure is conducted until there is a defined change in property of the reference material. The test material then is evaluated. In some cases, the results for the test material are compared to those for the reference material. These are inappropriate uses of reference materials when they are not sensitive to exposure stresses that produce failure in the test material or when the reference material is very sensitive to an exposure stress that has very little effect on the test material.

NOTE 5—Definitions for control and reference material that are appropriate to weathering tests are found in Terminology **G113**.

NOTE 6—Practice **G156** describes procedures for selecting and characterizing weathering reference materials used to establish consistency of operating conditions in a laboratory accelerated test.

NOTE 7—Results from accelerated exposure tests should only be used to establish a pass/fail approval of materials after a specific time of exposure to a prescribed set of conditions when the variability in the exposure and property measurement procedure has been quantified so that statistically significant pass/fail judgments can be made.

5. Requirements for Laboratory Exposure Devices

5.1 Light Source:

5.1.1 The exposure device shall provide for placement of specimens and any designated sensing devices in positions which provide uniform irradiance by the light source.

NOTE 8—In some devices, several individual light sources are used simultaneously. In these devices, the term *light source* refers to the combination of individual light sources being used.

5.1.2 Manufacturers of exposure devices shall assure that the irradiance at any location in the area used for specimen exposures is at least 70 % of the maximum irradiance mea-

sured in this area. Procedures for measuring irradiance uniformity are found in **Annex A1**.

NOTE 9—During use, the irradiance uniformity in exposure devices can be affected by several factors, such as deposits, which can develop on the optical system and chamber walls. Irradiance uniformity also can be affected by the type and number of specimens being exposed. The irradiance uniformity as assured by the manufacturer is valid for new equipment and well defined measuring conditions.

5.1.3 Periodic repositioning of the specimens during exposure is not necessary if the irradiance at positions farthest from the point of maximum irradiance is at least 90 % of the maximum measured irradiance.

5.1.4 If irradiance at any position in the area used for specimen exposure is between 70 and 90 % of the maximum irradiance, specimens shall be periodically repositioned to reduce variability in radiant exposure. The repositioning schedule shall be agreed upon by all interested parties. **Appendix X2** describes some possible specimen placement and repositioning plans and frequencies.

NOTE 10—While not required in devices meeting the irradiance uniformity requirements of **5.1.3**, periodic specimen repositioning is a good practice to reduce the variability in exposure stresses experienced during the test interval.

5.1.5 Replace lamps and filters according to the schedule recommended by the device manufacturer. Follow the apparatus manufacturer's instructions for lamp and filter replacement and for pre-aging of lamps or filters, or both.

5.1.6 ASTM **G177** describes a standard solar ultraviolet spectrum that can be used as a basis for comparing laboratory accelerated light sources with sunlight. The atmospheric conditions used in this standard solar spectrum were selected to maximize the fraction of short wavelength solar ultraviolet radiation.

NOTE 11—Previous versions of this standard used a solar spectrum defined in CIE Publication 85-1999, Table 4 as the benchmark for comparing light sources used in laboratory accelerated exposure tests to solar radiation. **Appendix X3** provides a comparison of the atmospheric conditions and solar spectra of ASTM **G177** and Table 4 of CIE 85.

5.1.6.1 Direct radiation from xenon burners, open flame carbon arcs, and some fluorescent lamps contains considerable amounts of short wavelength ultraviolet radiation not present in solar radiation. With proper selection of filters for these light sources, much of the short wavelength light can be eliminated. However, with many filters a small, but significant, amount of this short wavelength (less than 300 nm) radiation is present in the spectral distribution of the filtered light source. Fluorescent UV lamps can be selected to have a spectral output corresponding to a particular ultraviolet region of solar radiation. The xenon arc, when appropriately filtered, produces radiation with a spectral power distribution that is a good simulation of average solar radiation throughout the UV and visible region.

5.1.7 A radiometer, which complies with the requirements outlined in ISO 9370 may be used to measure irradiance, E , or the spectral irradiance, E_λ , and the radiant exposure, H , or the spectral radiant exposure, H_λ , on the specimen surface.

5.1.7.1 If used, the radiometer shall be mounted so that it receives the same irradiance as the specimen surface. If it is not positioned within the specimen plane, it shall be calibrated for irradiance at the specimen distance.

⁸ Fischer, R., "Results of Round Robin Studies of Light- and Water-Exposure Standard Practice," *Symposium on Accelerated and Outdoor Durability Testing of Organic Materials*, ASTM STP 1202, ASTM, 1993.

⁹ Ketola, W., and Fischer, R. "Characterization and Use of Reference Materials in Accelerated Durability Tests," VAMAS Technical Report No. 30, available from NIST, Gaithersburg, MD.

5.1.7.2 The radiometer shall be calibrated in the emission region of the light source used and shall be traceable to a recognized national standards body. Calibration of narrow or broad-band ultraviolet radiometers using a spectroradiometer shall be conducted according to Method G130. The radiometer shall be calibrated using a light source with the same spectral power distribution as the one that the radiometer will be used to measure. In addition, the radiometer shall also be calibrated using the same test chamber geometry (that is, lamp to specimen plane distance and orientation) for which it will be used. Calibration shall be checked according to the radiation measuring instrument manufacturer's instructions. A full calibration of the radiometer shall be conducted at least once/year. More frequent calibrations are recommended.

5.1.7.3 When measured, the irradiance in the wavelength range agreed upon by all interested parties shall be reported. Some apparatus provide for measuring irradiance in a specific wavelength range for example, 300–400 or 300–800 nm, or in a narrow bandpass centered around a single wavelength, for example, 340 nm.

5.2 Temperature:

5.2.1 The surface temperature of exposed materials depends on the ambient temperature, the amount of radiation absorbed, the emissivity of the specimen, the thermal conduction within the specimen, and the heat transmission between specimen and air or specimen holder. Since it is not practical to monitor the surface temperature of individual test specimens, a specified black-panel sensor is used to measure and control temperature within the test chamber. It is strongly recommended that the black panel temperature sensor be mounted within the specimen exposure area so that it receives the same radiation and cooling conditions as a flat test panel surface. The black panel also may be located at a fixed distance position different from the test specimens and calibrated for temperature in the specimen exposure area. This is not recommended, however, because black panels mounted at a fixed position away from the specimens may not indicate temperatures representative of the test specimens, even if they are calibrated to record temperature at positions within the specimen exposure area, due to differences in light intensity and movement of air.

5.2.1.1 The type of mounting used for uninsulated black or white panels (that is, whether the back of the panel is directly exposed to air or if the panel is placed against a solid metal backing) will have an effect on the conditions in the chamber. Describe the mounting used for the uninsulated black or white panel in the test report.

NOTE 12—Previous versions of this standard specified an uninsulated black panel with an open back subjected to the air within the exposure chamber. Tests using a different backing configuration may produce different results. Therefore, if a user wishes to compare to historical exposure results, it is recommended that the user duplicate the previous backing configuration of the uninsulated black panel.

5.2.2 Exposure devices shall use either an uninsulated black panel (commonly referred to as a black panel thermometer) or an insulated black panel (commonly referred to as a black standard thermometer) as black panel sensor. Requirements for each type are found in Annex A2.

5.2.3 The temperature indicated by the uninsulated black-panel or insulated thermometer depends on the irradiance of the laboratory light source and the temperature and speed of air moving in the test chamber. Uninsulated black-panel temperatures generally correspond to those for dark coatings on metal panels. Insulated black panel thermometer temperatures generally correspond to those for the exposed surface of dark samples with poor thermal conductivity. At conditions used in typical exposure tests, the temperature indicated by an insulated black panel thermometer will be 3–12°C higher than an uninsulated black panel thermometer. The response time for temperature changes is slightly slower for insulated black panel thermometers compared to uninsulated black panel thermometers.

5.2.3.1 At low irradiance, the difference between the temperature indicated by an uninsulated black panel or insulated black panel and the real specimen may be small. When light sources that emit very little infrared radiation are used, there generally will be very small difference in temperatures indicated by the two types of black panels or between light and dark colored specimens.

NOTE 13—There can be differences in temperature indicated by a single type of black panel thermometer, depending on the specific design of the device supplied by different manufacturers. Work is being conducted within Subcommittee 6 ISO TC/61 to characterize the differences between the different types of temperature sensing devices and between temperature sensing devices of the same type.

5.2.4 In order to evaluate the range of surface temperatures of the exposed specimens, the use of an uninsulated or insulated white panel thermometer is recommended, in addition to the uninsulated black panel or insulated black panel thermometer. In some cases, temperature of either the uninsulated or insulated white panel thermometer may be used to specify exposure conditions. The uninsulated or insulated white panel shall be constructed in the same way as the corresponding uninsulated or insulated black panel thermometer, except for use of a white coating with a good resistance to aging. The reflectance of the white coating between 450 and 800 nm shall be at least 60 % and at least 30 % between 800 and 1500 nm.

5.2.5 When requested, suppliers of insulated or uninsulated black or white panels shall provide certification that the black or white coating meets the reflectance requirements given in this practice.

5.2.6 Exposure devices that control temperature of a black or white temperature sensor shall be able to maintain fluctuations at the control point as specified in Annex A3.

5.2.7 Manufacturers of exposure devices shall assure that the temperature of a black or white panel temperature sensor placed anywhere within the specimen exposure area shall be within $\pm 3^\circ\text{C}$ of the set point temperature for set points up to 70°C and within $\pm 4^\circ\text{C}$ for set point temperatures above 70°C .

5.2.8 The test report shall indicate whether an insulated or uninsulated black or white panel was used. If either type of black or white panel thermometer is not positioned in the specimen exposure area, the exact position used shall be described in the test report.

5.2.9 If chamber air temperature is measured, the temperature sensing element shall be shielded from the light source and

water spray. Exposure devices, which control temperature of chamber air shall be able to maintain temperature of chamber air within $\pm 3^{\circ}\text{C}$ of the set point temperature.

5.2.10 Calibrate thermocouples according to instructions provided by the device manufacturer. If no instructions are provided by the device manufacture, sheathed thermocouples shall be calibrated according to Method E839, and resistance thermometers used as the sensing element for black or white panel thermometers shall be calibrated according to Method E644. Unless otherwise specified, devices used to measure temperature shall be calibrated at least annually. Wherever possible, calibrations should be traceable to a nationally recognized standards agency.

5.3 Humidity and Wetting:

5.3.1 The presence of moisture may have a significant effect on exposure tests. Any apparatus operated according to this standard, which attempts to simulate the effects of moisture, shall have means for providing moisture to specimens using one or more of the following methods: humidification of chamber air, formation of condensation, water spray, or immersion. The type and rate of material degradation can be affected significantly by the method used to provide moisture stress.

5.3.2 The purity of the water used for specimen wetting is very important. Without proper treatment to remove cations, anions, organics, and particularly silica, exposed specimens will develop spots or stains that do not occur in exterior exposures. Unless otherwise specified, water used for specimen wetting shall have a maximum of 1 ppm solids and a maximum of 0.2 ppm silica. If the water used for specimen wetting is above 1 ppm solids, the solids and silica levels must be reported. Recirculation of water used for specimen wetting is not recommended and if done the recirculated water shall meet the specified purity requirements.

NOTE 14—Distillation, or a combination of deionization and reverse osmosis can effectively produce water with the desired purity.

5.3.3 If specimens are found to have deposits or stains after exposure, the water purity must be checked to determine if it meets the purity requirements described in 5.3.2. On some occasions, exposed specimens can be contaminated by deposits from bacteria than can grow in the purified water used for specimen wetting. If bacterial contamination is detected, the entire system used for specimen wetting shall be flushed with a chlorinating solution, such as sodium hypochlorite and thoroughly rinsed prior to resuming exposures.

5.3.4 Although it does not always correlate with silica content, it is recommended that the conductivity of the water used for specimen wetting be monitored continuously and that exposures be stopped whenever the conductivity is above 5 $\mu\text{S}/\text{cm}$.

5.3.5 All components of the specimen wetting unit shall be fabricated from stainless steel, plastic, or other material that does not contaminate the water. If plastic materials are used, they shall not leach low molecular weight UV absorbing components into the water.

5.3.6 In devices where humidity within the test chamber is controlled, sensors used to determine humidity shall be placed

within the test chamber air flow and shielded from direct radiation and water spray. When humidity is controlled, the measured relative humidity shall be within $\pm 5\%$ of the set point humidity.

5.3.6.1 Calibrate the sensors used to determine humidity according to the device manufacturer's instructions.

5.3.7 Any device intended to introduce wetting of specimens, for example, by spray or immersion, shall have means to program intervals with and without wetting.

NOTE 15—There is currently no generally accepted method for characterizing the uniformity or consistency of specimen wetting.

5.4 *Other Apparatus Requirements*—Although various apparatus designs are used in practice, each apparatus shall include the following:

5.4.1 Any device intended to provide light and dark cycles shall have means to program intervals with or without light. The time of each light and dark cycle shall be controlled to within $\pm 10\%$ of the shortest cycle time used. It is preferable to use cycle timers that are accurate and reproducible as possible. Optionally, means to provide a record of the length of light and dark cycles may be provided.

5.4.2 To fulfill the requirements of particular test procedures, the apparatus also may need to provide means to register or record the following operational parameters.

5.4.2.1 Line voltage;

5.4.2.2 Lamp voltage and where appropriate, lamp wattage;

5.4.2.3 Lamp current;

5.4.2.4 Temperature of uninsulated or insulated black or white panel thermometer;

5.4.2.5 Test chamber air temperature;

5.4.2.6 Test chamber relative humidity,

5.4.2.7 Water spray cycles;

5.4.2.8 Irradiance or radiant exposure, or both, over a specified spectral region; and,

5.4.2.9 Duration of exposure (radiation time and total, if different).

5.4.3 Follow the recommendations of the device manufacturer regarding calibration of devices used to record each operational parameter.

6. Test Specimens

6.1 *Form and Preparation:*

6.1.1 The dimensions of the test specimens normally are those specified in the appropriate test method for the property or properties to be measured after exposure. When the behavior of a specific type of article is to be determined, the article itself should be exposed whenever possible.

6.1.2 For some tests, specimens to be exposed may be cut from a larger sheet or part that is formed by extrusion, injection molding, or other process. The exact shape and dimensions of the specimens to be exposed will be determined by the specific test procedure used for measurement of the property of interest. The procedures used to machine or cut individual test specimens from a larger sheet or part may affect the results of the property measurement and the apparent durability. Therefore, the method used for specimen preparation shall be agreed upon

by the interested parties and should be related closely to the method normally used to process the material in typical application.

6.1.3 Unless otherwise specified or required, do not cut individual test specimens for property measurement from larger specimens that have been exposed. The effects any cutting or machining operation may have on the properties of individual test specimens usually are much larger when the test specimens are cut from a large piece after exposure. This is especially true for materials that embrittle on exposure.

6.1.3.1 When test specimens are cut from an exposed sheet or larger part, they should be taken from an area that is at least 20 mm from the fixture holding the material or from the exposed specimen edges. In no circumstances shall any material from the exposed face be removed during the test specimen preparation.

6.1.4 When comparing materials in an exposure test, use test specimens that are similar in dimensions and exposed area.

6.2 *Number of Test Specimens:*

6.2.1 The number of test specimens for each test condition or exposure period shall be that specified in the appropriate test method for the property or properties to be measured after exposure.

6.2.2 Unless otherwise specified or required, use at least three replicate specimens where properties are measured using nondestructive tests and six replicate specimens where properties are measured using destructive tests.

6.2.3 When material properties are measured using destructive tests, a separate set of specimens is needed for each exposure period. When destructive tests are used, the total number of test specimens required will be determined by the number of exposure periods used and whether unexposed file specimens are tested at the same time as exposed specimens.

6.2.4 Control materials with known durability should be included with each exposure test. It is recommended that control materials known to have relatively poor and good durability be used. Control materials are used for the purpose of comparing the performance of the test materials to the controls. Before laboratory to laboratory comparisons are made it is necessary to establish agreed upon control materials. The number of specimens of the control material should be the same as that used for test materials.

6.3 *Storage and Conditioning:*

6.3.1 Conditioning and handling of test, control, reference, and file specimens shall be according to Practice **G147**.

6.3.2 If test specimens are cut or machined from larger pieces, they should be conditioned after machining according to Practice **D618**, Specifications **D3924** or **E171**. In some circumstances, it may be necessary to precondition the sheets prior to cutting or machining to facilitate specimen preparation. The properties of some materials are very sensitive to moisture content and the duration of conditioning may need to be longer than those specified in these standards, particularly where specimens have been exposed to climatic extremes.

7. General Procedure

7.1 Mark each specimen that will be exposed with a unique identifying number in accordance with Practice **G147**.

7.1.1 Do not touch the surface of exposed specimens or optical components with bare skin because oils that are deposited may act as UV absorbers or contain contaminants which accelerate degradation.

7.2 Specific conditions and procedures for the exposure test depend on the type of device used and the material being tested. For open flame carbon-arc, enclosed carbon-arc, fluorescent UV, and xenon-arc exposures, these can be found in Practices **G152**, **G153**, **G154**, and **G155** and in other standards, which reference these practices.

7.2.1 For each exposure test, specific set points for important parameters such as irradiance, temperature, and humidity are used. Typically, these parameters are measured and controlled at a single position within the chamber. During normal operation, there is an allowable departure of the measured value from the set point. **Annex A3** provides detailed information about the maximum allowable departure of the measured value from the set point.

7.2.2 A single point measurement does not mean conditions throughout the cabinet are the same. It does not mean two tests run in similar cabinets will produce the same results. Cabinets that control temperature by the black panel will not produce the same test as cabinets that control by air temperature.

7.3 Select material properties that exhibit a significant change during the exposure period in order to provide weathering performance discrimination among a series of materials.

7.4 Follow the procedures described in the appropriate standard for measuring the properties of test specimens before and after exposure.

7.5 If nondestructive tests are used to measure properties of the materials being tested, measure the properties of specimens before beginning the exposure. After each exposure increment, measure the same property that is measured initially on the specimens. Take care to make the property measurement in the same position used for the initial measurement.

NOTE 16—To monitor the response of the instrument used to measure the desired property, one can measure a calibration standard each time the instrument is used.

7.6 If destructive tests are used to measure properties of the materials being tested, prepare a separate set of test specimens for each exposure period. Compare the value of the property after exposure to the property measured on an unexposed set of specimens measured prior to beginning the exposure. Alternatively, the property can be measured on a separate set of unexposed file specimens at the same time as the property of exposed specimens is measured. The results for the unexposed file specimens and from the exposed specimens can then be compared.

NOTE 17—Procedures and formulas for calculating the change in material property of test materials and reference materials after exposure can be found in Practice **D5870**.

7.7 Some materials will change color during storage in the dark, particularly after weathering. It is essential that color measurement or visual comparisons be carried out as soon as possible after exposure once the exposed surface has dried.

8. Periods of Exposure and Evaluation of Test Results

8.1 In most cases, periodic evaluation of test and control materials is necessary to determine the variation in magnitude and direction of property change as a function of exposure time or radiant exposure.

8.2 The time or radiant exposure necessary to produce a defined change in a material property can be used to evaluate or rank the stability of materials. This method is preferred over evaluating materials after an arbitrary exposure time or radiant exposure.

8.2.1 Exposure to an arbitrary time or radiant exposure may be used for the purpose of a specific test if agreed upon by the parties concerned or if required for conformance to a particular specification. When a single exposure period is used, select a time or radiant exposure that will produce the largest performance differences between the test materials or between the test material and the control material.

8.2.2 The minimum exposure time used shall be that necessary to produce a substantial change in the property of interest for the least stable material being evaluated. An exposure time that produces a significant change in one type of material cannot be assumed to be applicable to other types of materials.

8.2.3 The relation between time to failure in an exposure conducted according to this practice and service life in an outdoor environment requires determination of a valid acceleration factor. Do not use arbitrary acceleration factors relating time in an exposure conducted according to this practice and time in an outdoor environment because they can give erroneous information. The acceleration factor is material dependent and is only valid if it is based on data from a sufficient number of separate exterior and laboratory accelerated exposures so that results used to relate times to failure in each exposure can be analyzed using statistical methods.

NOTE 18—An example of a statistical analysis using multiple laboratory and exterior exposures to calculate an acceleration factor is described by J.A. Simms (1).

8.3 After each exposure increment, evaluate or rate changes in exposed test specimens according to applicable ASTM test methods.

8.4 When results from exposures conducted according to this practice are used in specifications, one of the following three criteria must be met.

8.4.1 If a standard or specification for general use requires a definite property level after a specific time or radiant exposure in an exposure test conducted according to this practice, base the specified property level on results from round-robin experiments run to determine the test reproducibility from the exposure and property measurement procedures. Conduct these round-robins according to Practice E691, and include a statistically representative sample of all laboratories or organizations who would normally conduct the exposure and property measurement.

8.4.2 If a standard or specification for use between two or three parties requires a definite property level after a specific time or radiant exposure in an exposure test conducted according to this practice, base the specified property level on two

independent experiments run in each laboratory to determine the reproducibility for the exposure and property measurement process. The reproducibility of the exposure/property measurement process is then used to determine the minimum level of property after the exposure that is mutually agreeable to all parties.

8.4.3 When reproducibility in results from an exposure test conducted according to this practice has not been established through round-robin testing, specify performance requirements for materials in terms of comparison (ranked) to a control material. All specimens shall be exposed simultaneously in the same device. All concerned parties must agree on the specific control material used.

8.4.3.1 Conduct analysis of variance to determine whether any differences between test materials and control materials is statistically significant. Expose replicates of the test specimen and the control specimen so that statistically significant performance differences can be determined.

NOTE 19—Fischer illustrates use of rank comparison between test and control materials in specifications.¹⁰

NOTE 20—Guide G169 includes examples showing use of analysis of variance to compare materials.

9. Test Report

9.1 Report the following information:

9.1.1 Specimen description;

9.1.1.1 A full description of the specimens and their origin;

9.1.1.2 Compound details, cure time, and temperature where appropriate; and

9.1.1.3 Complete description of the method used for preparation of test specimens.

NOTE 21—If exposure tests are conducted by a contracting agency, specimens usually are identified by code number. In such cases, it is the responsibility of the originating laboratory to provide the complete specimen description when reporting results of the exposure test.

9.1.2 *Description of Exposure Test*—Description of the exposure device and light source including:

9.1.2.1 Type of device and light source;

9.1.2.2 Description of the filters used;

9.1.2.3 If required, set point for irradiance at the specimen surface, including the bandpass in which the radiation was measured; and,

9.1.2.4 If required, wattage used for laboratory light source.

9.1.2.5 Type of black or white panel thermometer, or both, if used. Describe how the black or white panel thermometer is mounted in the specimen exposure area, including whether the black or white panel thermometer was mounted on a solid surface or with the back side exposed to air and including the relative position of the black or white panel thermometer in the test specimen exposure area.

9.1.2.6 If required, type of instrument used to measure humidity.

9.1.2.7 Complete description of exposure cycle used, including the following information for each light and dark period used:

¹⁰ Fischer, R., Ketola, W., "Impact of Research on Development of ASTM Durability Testing Standards," *Durability Testing of Non-metallic Materials, ASTM STP 1294*, ASTM, 1995.

9.1.2.8 Set point for temperature recorded by the black panel thermometer;

9.1.2.9 Set point for relative humidity of air passing over test specimens;

9.1.2.10 Time of water spray period and the conditions of water used for specimen spray, if used, including total solids and silica content if total solids is greater than 1 ppm;

9.1.2.11 Time of each light and dark period;

9.1.2.12 Set point for white panel temperature, if applicable; and

9.1.2.13 Set point for chamber air temperature, if applicable.

9.1.2.14 Description of method used to mount specimens in exposure frame, including a description of any material used as backing for test specimens.

9.1.2.15 Description for test specimen repositioning, if used.

9.1.2.16 Description of the radiometers used for measuring light dosage, if used.

9.1.3 *Test Results:*

9.1.3.1 Complete description of the test procedure used for measurement of any properties reported including reference to applicable ASTM or other standards.

9.1.3.2 Results from property measurement on test specimens;

9.1.3.3 Results from property measurement on control specimens;

9.1.3.4 Results from property measurements on unexposed file specimens, if determined; and,

9.1.3.5 Exposure period (either time in hours, or radiant energy in J/m^2 and the bandpass in which it was measured).

9.1.4 The date of the test.

10. Precision and Bias

10.1 Precision and bias information can be found in relevant standards describing the specific type of exposure device.

11. Keywords

11.1 accelerated; durability; exposure; light; temperature; weathering; ultraviolet; UV-radiation

ANNEXES

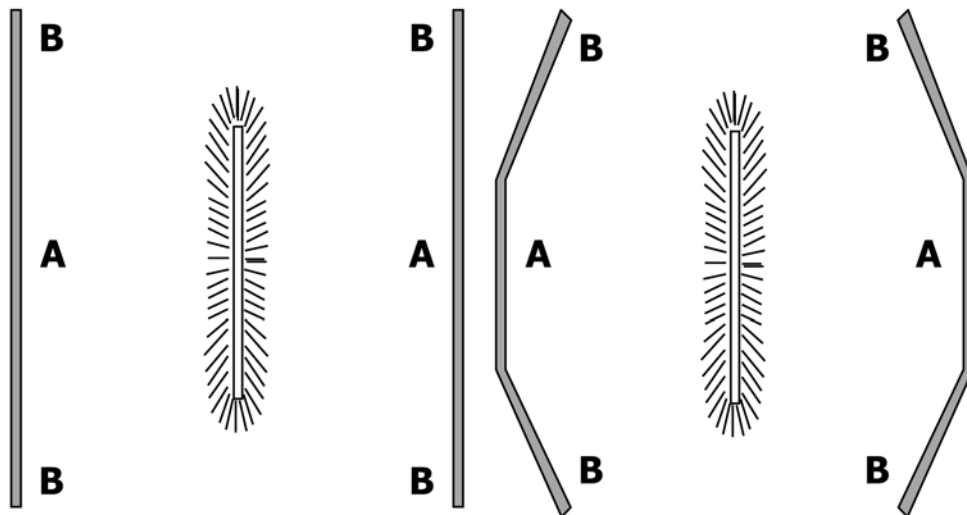
(Mandatory Information)

for Equipment Manufacturers

A1. PROCEDURES FOR MEASURING IRRADIANCE UNIFORMITY IN SPECIMEN EXPOSURE AREA

A1.1 In devices that use a rack to hold specimens and rotate them around a light source, measure irradiance at a position in the specimen rack that is closest to the light source (position A)

in Fig. A1.1 and at least two positions within the specimen rack



Flat Specimen Rack

Canted Specimen Rack

FIG. A1.1 Measurement of Irradiance in Devices Using a Rotating Specimen Rack

that are farthest from the light source (position *B*) in Fig. A1.1. The relationship between the irradiance at position *B* relative to the irradiance at position *A* shall be as follows:

$$E_B \geq 0.7 E_A \quad (A1.1)$$

A1.2 In devices where specimens are positioned in a flat plane in front of a light source, measure irradiance at a position in the specimen plane that is closest to the light source (position *X* in Fig. A1.2) and in at least two opposite corners of the plane where test specimens are placed (position *Y* in Fig. A1.2). The relationship between the irradiance at position *Y* relative to the irradiance at position *X* shall be as follows:

$$E_Y \geq 0.7 E_X \quad (A1.2)$$

NOTE A1.1—The positions indicated for *X* and *Y* in Fig. A1.2 are illustrative only. The location of the maximum irradiance may vary from the position *X* shown. The positions for *Y* that define the allowed exposure area may vary from those indicated in the figure.

A1.3 The maximum irradiance may not be at the center of the exposure area. Therefore the actual maximum irradiance shall be used for E_A or E_X in Eq A1.1 and Eq A1.2. Unless otherwise specified, at least four measurements shall be made at the periphery of the proposed exposure area (for example, near the corners of flat specimen planes where fluorescent lamps or line sources are used as the light sources). For more precise definition of the allowed exposure area where E_B or E_Y meets the requirements of equations Eq A1.1 or Eq A1.2, many more than four measurements near the periphery of the exposure area will be necessary.

A1.4 As an alternate to irradiance measurements, uniformity of irradiance may be determined by use of reference

materials. The change in characteristic property of the reference material shall be a known function, preferably linear, of radiant exposure. Do not use reference materials, that show an induction time with little change in property as a function of radiant exposure. Fig. A1.3 is a plot showing characteristic property of candidate reference materials as a function of radiant exposure or exposure time. The preferred reference material shows a completely linear response throughout the exposure period. Materials that show a linear response followed by a period where response is not linear must only be used during the exposure period exhibiting linear response. Prior to using a reference material to determine uniformity of irradiance, repeatability of the property change for specimens of the reference material exposed at the same position must be determined. When reference materials are used, all specimens shall be from the same lot. Expose reference material specimens throughout the proposed exposure area. Conduct exposures until there is a measurable change in the characteristic property being monitored. The allowed exposure area is defined by the positions where the change in the reference material is at least 70 % of reference material specimen showing the maximum amount of change.

NOTE A1.2—Actual measurements of irradiance are preferred over use of reference materials because differences in property change between reference material specimens exposed at the extremes of the exposure and those exposed at the center may be affected significantly by differences in temperature or moisture conditions, or both, as well as differences in irradiance.

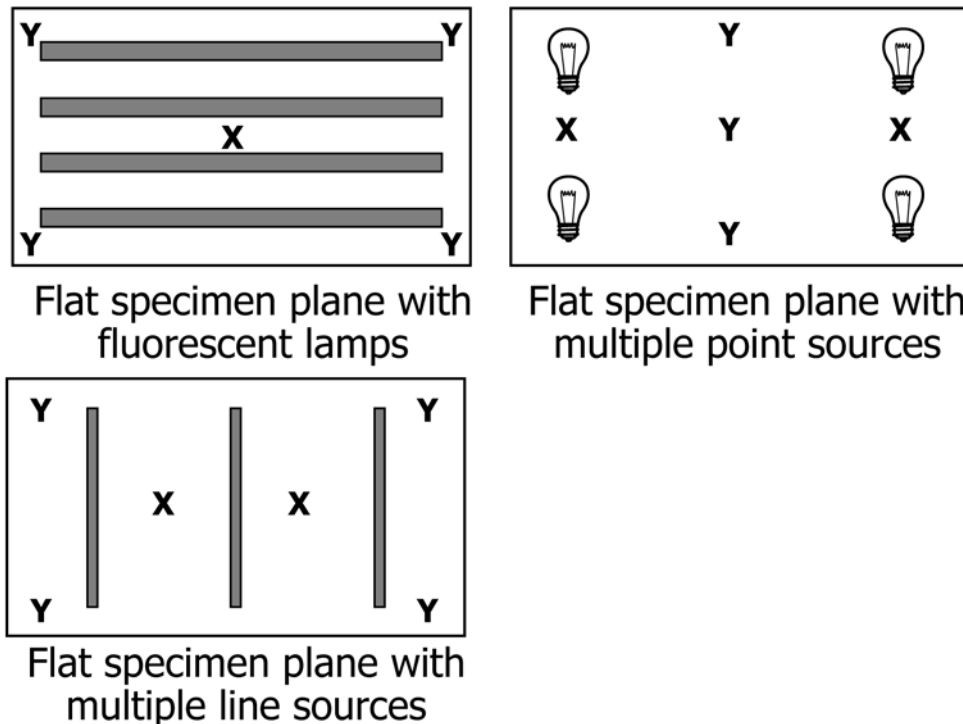
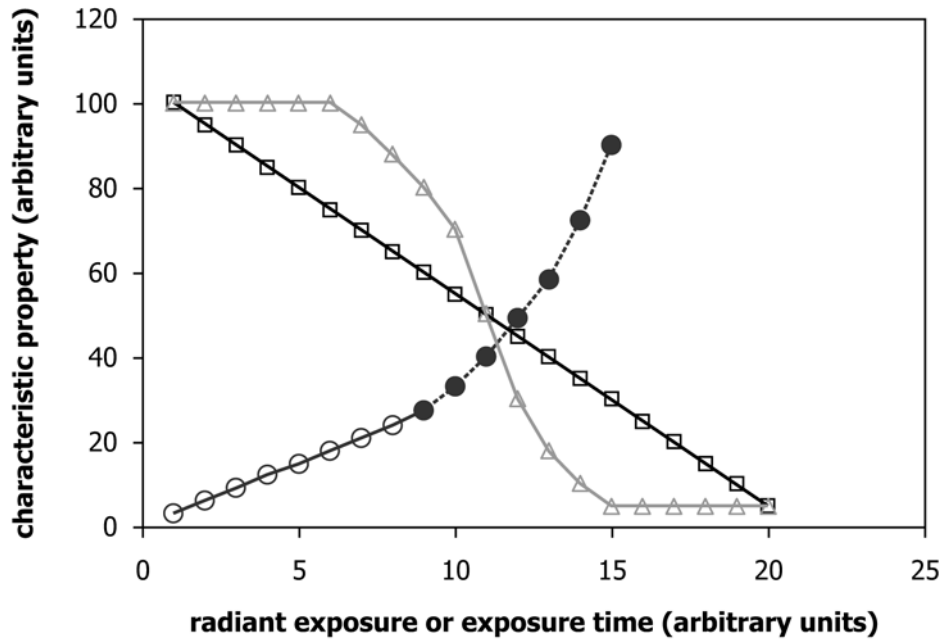


FIG. A1.2 Measuring Irradiance Uniformity in Device With a Flat Specimen Plane (Shaded Areas Indicate Fluorescent Lamps or Line Sources)



NOTE 1—Typical response of characteristic material as a function of exposure for reference materials with linear change (square symbols), for a material with an induction period for property change (open triangle symbols), and of a reference material with a period of linear change (open circle symbols) followed by a region of non-linear change (solid circle symbols).

FIG. A1.3 Typical Response of Characteristic Material as a Function of Exposure for Reference Materials

A2. REQUIREMENTS FOR UNINSULATED AND INSULATED BLACK PANEL THERMOMETERS

A2.1 Uninsulated black-panel thermometers consist of a plane (flat) metal plate that is resistant to corrosion. The surface of this plate that faces the light source shall be coated with a black layer which has good resistance to aging. The coated black plate shall reflect no more than 10 % of all incident flux to 2500 nm. A thermal sensitive element shall be firmly attached to the center of the exposed surface.

A2.2 Insulated black panel thermometers consist of a plane (flat) stainless steel plate with a thickness of about 0.5 mm. The minimum dimensions for the stainless steel plate are 70 mm by 40 mm (2). The surface of this plate facing the light source shall be coated with a black layer which has good resistance to aging. The coated black plate shall absorb at least 90–95 % of all incident flux to 2500 nm. A temperature sensor shall be attached in good thermal contact to the center of the plate on the side opposite the radiation source. This side of the metal plate shall be attached to 5 mm thick base plate made of unfilled polyvinylidene fluoride (PVDF). A small space suffi-

cient to hold the platinum resistance sensor shall be machined in the PVDF base plate. The distance between the sensor and this recess in the PVDF plate is about 1 mm. The length and the width of the PVDF plate must be sufficient so that no metallic thermal contact exists between the black coated metal plate and the mounting holder into which it is fitted. The metallic mounts of the insulated black panel holder shall be at least 4 mm from the edges of the metal plate. Insulated black panel thermometers, which differ in construction are permitted, as long as the temperature of the alternate construction is within $\pm 1.0^{\circ}\text{C}$ of the specified construction at all steady state temperature and irradiance settings the exposure device is capable of attaining. In addition, the time needed for an alternate insulated black panel thermometer construction to reach steady state must be within 10 % of the time needed for the specified insulated black panel thermometer to reach steady state.

NOTE A2.1—Insulated black panel thermometers are referred to as black standard thermometers in ISO 4892.

A3. OPERATIONAL FLUCTUATIONS DURING NORMAL OPERATING CONDITIONS

A3.1 Exposure conditions such as temperature, humidity, and irradiance, are monitored and controlled by means of control sensors at particular locations in the chamber.

A3.1.1 The set point is the target condition for the sensor used at the operational control point and is programmed by the user. When the exposure cycle calls for a particular set point, the user programs the device to use that exact number. Operational fluctuations are deviations from the indicated set point during equilibrium operation. The maximum allowable operational fluctuation during equilibrium conditions is given in **Table A3.1**.

A3.1.2 The operational fluctuations given in **Table A3.1** do not imply that the user is allowed to program a set point higher or lower than the exact set point specified.

A3.1.3 The operational fluctuations given in **Table A3.1** refer to allowable deviations from the set point in the reading actually observed at the control sensor during equilibrium operation. These deviations are the result of unavoidable

variations in machine variables. If the operational fluctuation is greater than the maximum allowable specified in **Table A3.1**, discontinue the test until the problem is solved.

A3.2 Operational fluctuations of less than the maximum values shown in **Table A3.1** may be specified if agreed upon by all interested parties.

A3.3 Operational fluctuations of temperature and relative humidity do not apply during spray cycles.

A3.4 Operational fluctuations only apply for test conditions actually specified by the test cycle. Some devices do not control all of the possible test parameters (for example, relative humidity, chamber air temperature, or irradiance).

A3.4.1 Devices that do not control a particular operational parameter should not be used to perform tests where control of that parameter is specified.

A3.5 The operational fluctuations given in **Table A3.1** apply only at the location of the control sensor, and do not imply uniformity of conditions around the test chamber.

NOTE A3.1—Committee G3.03 is working to develop a standard describing how to determine uniformity of conditions within the allowed exposure area.

A3.6 Uncertainty of sensor calibration is not included in the above operational fluctuations or the operational fluctuations specified with the set point, and is dealt with separately by the manufacturer of the instrument used to calibrate the sensor.

A3.7 Set points and operational fluctuations may either be listed independently of each other, or they may be listed in the format: Set point \pm operational fluctuations.

TABLE A3.1 Operational Fluctuation of Measured Value at the Control Sensor During Equilibrium Conditions

| Operational Parameter | Maximum Operational Fluctuations at Control Sensor During Equilibrium Operation (units) |
|--|---|
| Black Panel Temperature | ± 2.5 (°C) from the target value |
| Chamber Air Temperature | ± 2 (°C) from the target value |
| Relative Humidity | ± 5 % from the target value |
| Irradiance (narrowband, e.g. 340 nm or 420 nm) | ± 0.02 (W/(m ² ·nm)) from the target value) |
| Broadband UV Irradiance (300-400 nm) | ± 2 (W/m ² per bandpass range from the target value) |
| Broadband Irradiance (300-800 nm) | ± 75 (W/m ² per bandpass range from the target value) |

APPENDIXES

(Nonmandatory Information)

X1. FACTORS THAT DECREASE DEGREE OF CORRELATION BETWEEN ACCELERATED TESTS USING LABORATORY LIGHT SOURCES AND ACTUAL USE EXPOSURES

X1.1 *Differences in the Spectral Distribution or Intensity Between the Laboratory Light Source and Solar Radiation:*

X1.1.1 Shorter than normal wavelength exposures are often used to obtain faster failure rates in laboratory accelerated exposure tests. For outdoor exposures, the cut-on for short wavelength UV radiation is generally considered to be about 300 nm. Exposures to UV radiation of wavelengths less than 300 nm, may produce degradation reactions, which do not occur when the material is used outdoors. If a laboratory light source used in an accelerated test contains UV radiation of wavelengths shorter than that found in the actual use condition, the mechanism of degradation and stability ranking of materials can be dramatically different in the accelerated test.

X1.1.2 It may not be necessary to simulate daylight over the entire spectrum, if radiation in a specific region is known to produce the type of degradation of interest in the materials being tested and lack of other spectral regions does not alter stability ranking of materials. Laboratory light sources, which have a very strong emission in a narrow band relative to the rest of the ultraviolet or visible spectrum, however, may cause a particular reaction to be favored relative to others which may be very important (3). This type of light source also may not produce the same changes caused in exposures to daylight. Exposures to light sources, which only produce ultraviolet radiation may not produce color fade caused by visible radiation, and may cause polymer yellowing that is more pronounced than that produced by exposures to daylight.

X1.2 Light Intensities Higher Than Those Experienced in Actual Use Conditions—Light intensities higher than those experienced in actual use conditions typically are used in exposures to laboratory light sources in order to accelerate degradation. There are several reasons why the use of abnormally high irradiance can change the mechanism of material degradation relative to the conditions found in actual use environment. Some materials are more sensitive to changes in light intensity than others, so the use of abnormally high irradiance can alter the stability ranking of materials.

X1.2.1 In exterior exposures, polymers in an excited state caused by absorption of a high energy photon typically will decay to ground state before absorbing another high energy photon. In exposures to laboratory light sources with abnormally high light flux, however, the rate of photon absorption is so high that the material will often absorb a high energy photon when it is still in an excited state (4).

X1.2.2 Free radicals are formed in materials exposed to ultraviolet light. Reactions leading to degradation occur when the free radicals interact with the material. Free radicals also can recombine with other free radicals in reactions that do not lead to degradation. The high concentration of free radicals formed under high irradiance conditions results in a greater percentage of recombination due to the close proximity of the free radicals, particularly in polymers exposed at temperatures below their T_g (5).

X1.2.3 Oxygen diffusion can sometimes become rate limiting in polymer oxidation processes where abnormally high irradiance, or abnormally high specimen temperatures, are used for test acceleration (6). This can produce differences in the mechanism for degradation reactions and may cause an abnormal ratio of surface to bulk oxidation, which could result in unnatural color shifts or physical property changes.

X1.3 Continuous Exposure to Light from a Laboratory Light Source Without Any Dark Periods—Continuous exposure to light from laboratory light sources often is used in order to achieve accelerated degradation relative to actual use conditions. Continuous exposure to light, however, may eliminate critical dark reactions that occur in outdoor exposures or indoor use conditions where there are regular periods without light.

X1.4 Specimen Temperatures That Are Abnormally High Relative to Actual Use Conditions—Temperatures higher than those experienced in actual use conditions often are used to obtain faster degradation in laboratory accelerated tests. Some polymers are much more susceptible to degradation from thermal effects than others. For materials that are subject to the same rate and type of photodegradation, exposures at abnormally high temperatures may make a temperature sensitive material appear to be less durable compared to a less tempera-

ture sensitive material. In addition, exposures at temperatures above the glass transition temperature of polymers can alter dramatically the mechanism of degradation and stability ranking compared to exposures conducted at a temperature below the glass transition temperature. The black panel temperature used in a laboratory accelerated test should be maintained in a reasonable range, which usually is no higher than the maximum observed for the black panel in actual use conditions.

X1.5 Exposure Conditions That Produce Unrealistically Large Temperature Differences Between Light and Dark Colored Specimens—Some laboratory light sources produce large amounts of infrared radiation. In order to prevent overheating of specimens, the infrared radiation can be reduced using infrared absorbing or reflecting filters, or by passing large amounts of air through the specimen chamber to cool specimens. If measures to control the amount of infrared radiation reaching specimens being exposed are not sufficient, the temperature differences between light and dark colored specimens of the same material can be larger than would be seen in natural exposure. Some laboratory light sources produce very little or no infrared radiation. When these types of laboratory light sources are used, the difference between dark and light colored specimens may be less than that found in outdoor exposures.

X1.6 Temperature Cycling Conditions That are Different from Those Found in Actual Use Conditions—Abnormally high temperature cycling frequencies can produce mechanically-induced cracking or other degradation not seen in outdoor exposures. Exposure devices, which spray specimens with water when the light source is on, can produce an abnormally rapid change in temperature that also may produce cracking not produced in outdoor exposures.

X1.7 Unrealistically High or Low Levels of Moisture—Moisture is very important for producing degradation of many polymers. If the amount of moisture, or the way in which specimens are exposed to the effects of moisture in a laboratory accelerated test differs from the actual use environment, the mechanism and rate of degradation may be much different. This can have a significant effect on the stability ranking of materials.

X1.8 Absence of Biological Agents or Pollutants—Materials that are exposed in warm, wet locations often are subject to significant growth of biological agents, such as fungi, bacteria, and algae. Pollutants present in many exterior environments have a significant affect on the mechanism and rate of degradation for some plastics. If these effects are not included in a laboratory accelerated exposure test, the mechanism and stability ranking of materials may be significantly different than that found in exterior exposures.

X2. SUGGESTED PROCEDURES FOR REDUCING VARIABILITY BY PERIODIC RANDOM POSITIONING OR SYSTEMATIC REPOSITIONING OF SPECIMENS

X2.1 *Random Positioning of Replicate Specimens*—Use of replicate specimens is a requirement for exposures conducted according to this standard. For each exposure increment, the replicate specimens of all test and control materials are randomly positioned within the exposure area that meets the irradiance uniformity requirements defined in 5.1.2.

X2.2 *Specimen Repositioning During Exposure*—Regular specimen repositioning during exposure is always a good practice, even in devices where irradiance uniformity meets the requirements where repositioning is not mandatory. There are several approaches to specimen repositioning that may be used. These are described in the following sections.

X2.2.1 *Devices with Rotating Specimen Racks*—Where specimens are placed in holders that are arranged in sections of a specimen rack that rotates around the light source, move specimen holders from the top section to the bottom section and holders from the bottom section to the section immediately above. Move specimen holders in intermediate sections up one section. This is shown in Fig. X2.1.

X2.2.1.1 If multiple specimens are exposed in a single holder, it is not necessary to reposition the specimens within the holder. However, if within holder repositioning is desired, follow the same general procedure described for repositioning the holders.

X2.2.2 *Devices with Flat Specimen Exposure Areas*—Where specimens are arranged in a flat plane at a fixed distance from the plane of the light sources, move specimen holders from the left edge of the plane to the right edge. Move holders at the right edge one position to the left. If agreed upon by all parties, it is possible to divide the flat plane of the exposure area into smaller subsections and conduct specimen repositioning within each section, or to reposition all specimens in a single subsection to a different subsection. For instance, one could divide the exposure area into two halves, either vertically or horizontally. Fig. X2.2 illustrates possible patterns for repositioning specimens when the exposure area is a flat specimen plane.

X2.2.2.1 If multiple specimens are exposed in a single holder, it is not necessary to reposition the specimens within the holder. However, if within holder repositioning is desired, follow the same general procedures described in X2.2.1 for this repositioning.

X2.3 *Repositioning Frequency*—Table X2.1 lists suggested frequencies for specimen repositioning.

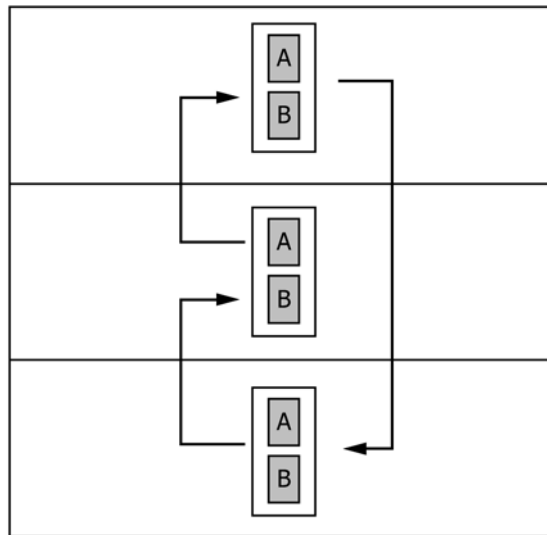


FIG. X2.1 Specimen Repositioning Where Specimens are Distributed in Vertical Sections of the Exposure Area of a Specimen Rack That Rotates Around the Light Source

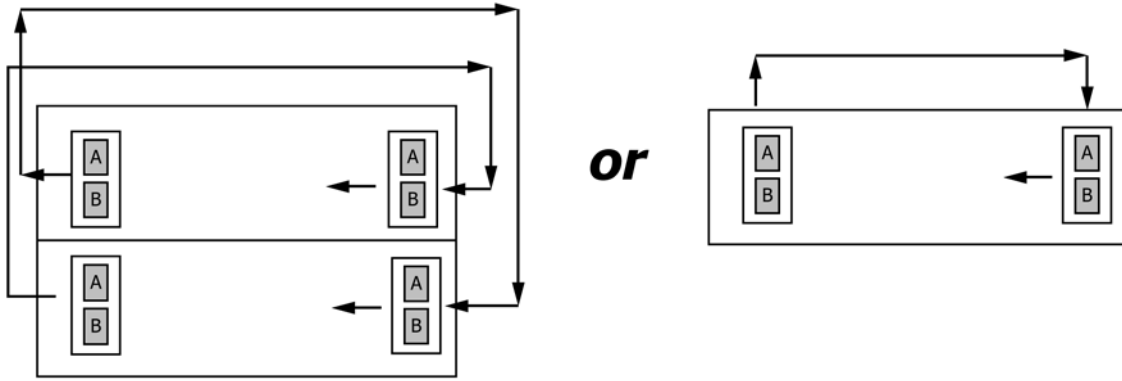


FIG. X2.2 Specimen Repositioning Where Specimens are in Holders That are Distributed in a Flat Plane

TABLE X2.1 Suggested Frequency for Specimen Repositioning

| Specimen Exposure Time | Frequency for Repositioning |
|---|--|
| Less than or equal to 100 h | Daily |
| Greater than 100 h and less than or equal to 1000 h | Weekly |
| More than 1000 h | Once every 3 weeks |
| Mixed times in a single device | Weekly unless the specimen load in the device includes specimens scheduled for an exposure of 100 hours or less, in which case specimens should be repositioned daily until the specimens with the short exposure time are removed from the device |

X3. COMPARISON OF BENCHMARK SOLAR UV SPECTRUM AND CIE 85 TABLE 4 SOLAR SPECTRUM

X3.1 ASTM G177, Standard Tables for Reference Solar Ultraviolet Spectral Distributions: Hemispherical on 37 degree Tilted Surface, describes a benchmark solar spectrum based on atmospheric conditions that provide for very high level of short wavelength solar ultraviolet radiation. This solar spectrum is calculated using the SMARTS2 solar radiation model (7-9). ASTM Adjunct ADJG173CD, SMARTS2⁶ Solar Radiation Model for Spectral Radiation provides the program and documentation for calculating solar spectral irradiance.

X3.2 Previous versions of this standard cited CIE 85 Table 4 as the benchmark solar spectra spectrum. Table X3.1 compares the basic atmospheric conditions used for the new benchmark solar spectrum described in ASTM G177 and for the solar spectrum described in CIE 85 Table 4.

X3.3 Table X3.2 compares irradiance (calculated using rectangular integration) and relative irradiance for the ASTM G177 benchmark solar spectra spectrum and for the CIE 85

TABLE X3.1 Comparison of Basic Atmospheric Conditions Used for the ASTM G177 Benchmark Solar Spectrum and CIE 85 Table 4 Solar Spectrum

| Atmospheric Condition | ASTM G177 Benchmark Solar Spectrum | CIE 85 Table 4 Solar Spectrum |
|-------------------------------------|---|---|
| Ozone (atm-cm) | 0.30 | 0.34 |
| Precipitable water vapor (cm) | 0.57 | 1.42 |
| Altitude (m) | 2000 | 0 |
| Tilt angle | 37° facing Equator | 0° (horizontal) |
| Air mass | 1.05 | 1.00 |
| Albedo (ground reflectance) | Light Soil wavelength dependent | Constant at 0.2 |
| Aerosol extinction | Shettle & Fenn Rural (humidity dependent) | Equivalent to Linke Turbidity factor of about 2.8 |
| Aerosol optical thickness at 500 nm | 0.05 | 0.10 |

Table 4 solar spectrum, in the bandpasses used in Practices G152, G153, G154, and G155.

TABLE X3.2 Irradiance and Relative Irradiance Comparison for ASTM G177 Benchmark Solar Spectrum and CIE 85 Table 4 Solar Spectrum

| Bandpass | ASTM G177 Benchmark Solar Spectrum | CIE 85 Table 4 Solar Spectrum |
|---|------------------------------------|-------------------------------|
| Irradiance (W/m ²) in stated bandpass | | |
| $\lambda < 290$ | 0.000 | 0.000 |
| $290 \leq \lambda \leq 320$ | 3.748 | 4.060 |
| $320 < \lambda \leq 360$ | 25.661 | 28.450 |
| $360 < \lambda \leq 400$ | 34.762 | 42.050 |
| $290 \leq \lambda \leq 400$ | 64.171 | 74.560 |
| $290 \leq \lambda \leq 800$ | 652.30 | 678.78 |
| Percent of 290 nm to 400 nm irradiance | | |
| $\lambda < 290$ | 0.0% | 0.0% |
| $290 < \lambda \leq 320$ | 5.8% | 5.4% |
| $320 < \lambda \leq 360$ | 40.0% | 38.2% |
| $360 < \lambda \leq 400$ | 54.2% | 56.4% |
| Percent of 300 nm to 800 nm irradiance | | |
| $290 \leq \lambda \leq 400$ | 9.8% | 11.0% |

REFERENCES

- (1) Simms, J.A. "Journal of Coatings Technology," ASTM, Vol 50, 1987, pp. 45-53.
- (2) Boxhammer, J., Kockott, D., Trubiroha, P., "Black Standard Thermometer," Materialprüfung, Vol 35, 1993, p. 5.
- (3) Searle, N.D., "Effect of Light Source Emissions on Durability Testing," *Symposium Accelerated and Outdoor Durability Testing of Organic Materials*, ASTM STP 1202, ASTM, 1993, p. 52.
- (4) Schnabel, W., "Polymer Degradation, Principles and Practical Applications," pp. 95-100, Macmillan Publishing Co., Inc., New York, NY 1981.
- (5) Grassie, N., Scott, G., "Polymer Degradation and Stabilization," pp. 75-76, Cambridge University Press, New York, NY 1985.
- (6) Clough, R.I., Gillen, K.T., "Physical Techniques for Profiling Heterogeneous Polymer Degradation," *Polymer Stabilization and Degradation*, ACS Symposium Series 280, Peter Klemchuk, Editor, American Chemical Society, Washington, D.C., 1985.
- (7) Gueymard, C., "Parameterized Transmittance Model for Direct Beam and Circumsolar Spectral Irradiance," *Solar Energy*, Vol 71, No. 5, 2001, pp. 325-346.
- (8) Gueymard, C. A., Myers, D., and Emery, K., "Proposed Reference Irradiance Spectra for Solar Energy Systems Testing," *Solar Energy*, Vol 73, No 6, 2002, pp. 443-467.
- (9) Myers, D. R., Emery, K., and Gueymard, C., "Revising and Validating Spectral Irradiance Reference Standards for Photovoltaic Performance Evaluation," *Transactions of the American Society of Mechanical Engineers, Journal of Solar Energy Engineering*, Vol 126, Feb 2004, pp. 567-574.
- (10) CIE-Publication Number 85: Recommendations for the Integrated Irradiance and the Spectral Distribution of Simulated Solar Radiation for Testing Purposes, 1st edition, 1989 (Available from American National Standards Institute, 11 W. 42nd St., 13th Floor, New York, NY 10036).

ASTM International takes no position respecting the validity of any patent rights asserted in connection with any item mentioned in this standard. Users of this standard are expressly advised that determination of the validity of any such patent rights, and the risk of infringement of such rights, are entirely their own responsibility.

This standard is subject to revision at any time by the responsible technical committee and must be reviewed every five years and if not revised, either reapproved or withdrawn. Your comments are invited either for revision of this standard or for additional standards and should be addressed to ASTM International Headquarters. Your comments will receive careful consideration at a meeting of the responsible technical committee, which you may attend. If you feel that your comments have not received a fair hearing you should make your views known to the ASTM Committee on Standards, at the address shown below.

This standard is copyrighted by ASTM International, 100 Barr Harbor Drive, PO Box C700, West Conshohocken, PA 19428-2959, United States. Individual reprints (single or multiple copies) of this standard may be obtained by contacting ASTM at the above address or at 610-832-9585 (phone), 610-832-9555 (fax), or service@astm.org (e-mail); or through the ASTM website (www.astm.org). Permission rights to photocopy the standard may also be secured from the Copyright Clearance Center, 222 Rosewood Drive, Danvers, MA 01923, Tel: (978) 646-2600; http://www.copyright.com/