



Designation: F903 – 17

# Standard Test Method for Resistance of Materials Used in Protective Clothing to Penetration by Liquids<sup>1</sup>

This standard is issued under the fixed designation F903; the number immediately following the designation indicates the year of original adoption or, in the case of revision, the year of last revision. A number in parentheses indicates the year of last reapproval. A superscript epsilon ( $\epsilon$ ) indicates an editorial change since the last revision or reapproval.

## INTRODUCTION

Workers involved in the production, use, and transportation of liquid chemicals can be exposed to numerous compounds capable of causing harm upon contact with the human body. The deleterious effects of these chemicals can range from acute trauma such as skin irritation and burn to chronic degenerative disease, such as cancer. Since engineering controls may not eliminate all possible exposures, attention is often placed on reducing the potential for direct skin contact through the use of protective clothing that resists permeation, penetration, and degradation.

This test method determines resistance of protective clothing materials, seams, and closures to liquid penetration only. Resistance of protective clothing materials to permeation is determined by Test Method **F739** or **F1383**. While degradation resistance is not directly determined by this test method, the degradation of a material can be a contributing factor to the observed penetration of a liquid.

Test Method **F1359** assesses the liquid penetration of full protective clothing items or ensembles of clothing and equipment.

## 1. Scope

1.1 This test method is used to test specimens of protective clothing materials, assemblies such as seams and closures, or interfaces used in the construction of protective clothing. The resistance to visible penetration of the test liquid is determined with the liquid in continuous contact with the normally outside (exterior) surface of the test specimen.

1.2 This test method includes different procedures for maintaining the liquid in contact with the test specimen in terms of the length of exposure and the pressure applied. Suggestions are provided for how to select an appropriate procedure for liquid contact.

1.3 In some cases, significant amounts of hazardous materials will permeate specimens that pass the penetration tests. For more sensitive analyses use either Test Method **F739** or **F1383** to determine permeation.

1.4 This test method does not address penetration of vapors through protective clothing materials.

1.5 This test method is not applicable to non-planar protective clothing materials, interfaces, or assemblies such as the finger tips or crotch areas of gloves, which are possible failure points.

1.6 This test method does not address the liquid penetration resistance of full protective clothing items or ensembles. Use Test Method **F1359** for this purpose.

1.7 The values as stated in inch-pound units are to be regarded as the standard. The values in parentheses are for information only.

1.8 *This standard does not purport to address all of the safety concerns, if any, associated with its use. It is the responsibility of the user of this standard to establish appropriate safety and health practices and determine the applicability of regulatory limitations prior to use.* Specific hazards are given in Section 7.

## 2. Referenced Documents

- 2.1 *ASTM Standards:*<sup>2</sup>  
**D1777 Test Method for Thickness of Textile Materials**  
**D3776 Test Methods for Mass Per Unit Area (Weight) of Fabric**

<sup>1</sup> This test method is under the jurisdiction of ASTM Committee **F23** on Personal Protective Clothing and Equipment and is the direct responsibility of Subcommittee **F23.30** on Chemicals.

Current edition approved Feb. 1, 2017. Published March 2017. Originally approved in 1984. Last previous edition approved in 2010 as F903 – 10. DOI: 10.1520/F0903-17.

<sup>2</sup> For referenced ASTM standards, visit the ASTM website, [www.astm.org](http://www.astm.org), or contact ASTM Customer Service at [service@astm.org](mailto:service@astm.org). For *Annual Book of ASTM Standards* volume information, refer to the standard's Document Summary page on the ASTM website.

- E105 Practice for Probability Sampling of Materials
- F104 Classification System for Nonmetallic Gasket Materials
- F739 Test Method for Permeation of Liquids and Gases through Protective Clothing Materials under Conditions of Continuous Contact
- F1359 Test Method for Liquid Penetration Resistance of Protective Clothing or Protective Ensembles Under a Shower Spray While on a Mannequin
- F1383 Test Method for Permeation of Liquids and Gases through Protective Clothing Materials under Conditions of Intermittent Contact
- 2.2 NFPA Standards:<sup>3</sup>
- NFPA 1951 Standard on Protective Ensembles for Technical Rescue Incidents
- NFPA 1952 Standard on Surface Water Operations Protective Clothing and Equipment
- NFPA 1971 Standard on Protective Ensembles for Structural Fire Fighting and Proximity Fire Fighting
- NFPA 1991 Standard of Vapor-Protective Ensembles for Hazardous Materials Emergencies
- NFPA 1992 Standard on Liquid Splash-Protective Ensembles and Clothing for Hazardous Materials Emergencies
- 2.3 Military Standard:<sup>4</sup>
- MIL-STD-105E Sampling Procedures and Tables for Inspection by Attributes
- 2.4 ANSI/ASQ Standard:<sup>5</sup>
- ANSI/ASQ Z1.4 Sampling Procedures and Tables for Inspection by Attributes
- 2.5 ISO Standard:<sup>6</sup>
- ISO 2859-1 Sampling Plans for Inspection by Attributes

### 3. Terminology

#### 3.1 Definitions:

3.1.1 *degradation, n*—a deleterious change in one or more properties of a material.

3.1.2 *penetration, n*—for chemical protective clothing, the movement of substances through voids in a protective clothing material or items on a non-molecular level.

3.1.2.1 *Discussion*—Voids include gaps, pores, holes, and imperfections in closures, seams, and interfaces between protective clothing items. Penetration does not require a change of state; solid chemicals move through voids in the material as solids, liquids as liquids, and gases as gases. Penetration is a distinctly different mechanism from permeation.

3.1.3 *permeation, n*—for chemical protective clothing, the movement of chemicals as molecules through protective clothing material or items by the processes of (1) absorption of the

chemical into the contact surface of the material, (2) diffusion of the absorbed molecules throughout the material, and (3) desorption of the chemical from the opposite surface of the material.

3.1.3.1 *Discussion*—Permeation is a distinctly different mechanism from penetration and does not require a void in the material to occur.

3.1.4 *protective clothing, n*—an item of clothing that is specifically designed and constructed for the intended purpose of isolating all or part of the body from a potential hazard; or, isolating the external environment from contamination by the wearer of the clothing.

3.1.4.1 *Discussion*—The potential hazard addressed by this test method is penetration by liquids.

### 4. Summary of Test Method

4.1 A protective clothing specimen is placed in a specialized test cell where its normal exterior side is contacted by a liquid. The interior side of the specimen is open to viewing and is observed for evidence of visible penetration of the liquid.

4.2 This test method provides different procedures for length of times and pressures applied by the liquid during its contact with the specimen. For most procedures, the observation of visible liquid penetration is indicated as a failing result. In one procedure, the pressure is sequentially increased to specified levels and the test result is the specific pressure when visible liquid penetration was observed. This test method also allows for other methods of liquid contact.

### 5. Significance and Use

5.1 This test method is normally used to evaluate the barrier effectiveness against penetration of liquids through materials, seams, closures, or other planar assemblies used in protective clothing and specimens from finished items of protective clothing.

5.1.1 Finished items of protective clothing include gloves, arm protectors, aprons, coveralls, suits, hoods, boots, and similar items.

5.1.2 The phrase “specimens from finished items” is permitted to include continuous regions of protective clothing items as well as seamed or other discontinuous regions of protective clothing.

5.1.3 The types of specimens are limited to those that are relatively flat (planar) that are capable of being sealed in the test cell specified in this test method without peripheral leakage.

5.2 A substitute challenge liquid (for example, water or isopropanol) is appropriate in some cases to generalize material penetration resistance to liquids. However, it is possible that differences in chemical and molecular properties (for example, surface tension) may lead to different results.

5.3 In addition to the failure mode where a liquid finds a pathway for penetration through a void, imperfection, or defect in material or clothing subassembly, some selected chemicals

<sup>3</sup> Available from National Fire Protection Association (NFPA), 1 Batterymarch Park, Quincy, MA 02169-7471, <http://www.nfpa.org>.

<sup>4</sup> Available from DLA Document Services, Building 4/D, 700 Robbins Ave., Philadelphia, PA 19111-5098, <http://quicksearch.dla.mil>.

<sup>5</sup> Available from American Society for Quality (ASQ), 600 N. Plankinton Ave., Milwaukee, WI 53203, <http://www.asq.org>.

<sup>6</sup> Available from International Organization for Standardization (ISO), ISO Central Secretariat, BIBC II, Chemin de Blandonnet 8, CP 401, 1214 Vernier, Geneva, Switzerland, <http://www.iso.org>.

cause degradation of barrier material, film or coating leading to penetration over extended periods of contact.<sup>7</sup>

5 min at ambient pressure followed by 10 min of exposure of the specimen to the test pressure.

5.4.3 Procedure C was developed to account for potentially longer exposures where failure may also occur as the result of material or assembly degradation. Procedure C uses a 13.8 kPa (2 psig) test pressure for a portion of the test where the specimen is first exposed to the liquid at ambient pressure for 5 min, followed by 1 min at 13.8 kPa (2 psig), and continuing for 54 additional minutes at ambient pressure.

5.4.4 Procedure D involves the sequential increase of pressure from ambient (0 kPa [0 psig]) to 68.9 kPa (10 psig) in increments of 3.5 kPa (0.5 psig) in 1-min intervals until liquid penetration is observed at a specific test pressure. The time interval between changes in pressure is set at 1 min to coincide with the time of applied pressure in Procedure C.

5.4.5 Procedure E permits the test method user to specify the pressures and duration of the specimen's exposure to the liquid.

5.5 Different results are reported by the different procedures.

5.5.1 Procedures A, B, and C results are reported as pass or fail for each replicate. Passing results indicate that no liquid penetration was observed over the duration of the test exposure.

5.5.2 Procedure D results are reported as the test pressure at which liquid penetration was observed for each replicate.

5.6 The choice of pressure/time sequence and type of test result are dependent on the objectives of the testing.

5.6.1 Procedure C is specified in several different National Fire Protection Association standards for establishing the minimum barrier performance of protective clothing materials, seams, and closures of first responder protective clothing.

5.6.2 Procedure D may be used when the pressure where penetration occurs is sought without a set pressure pass/fail criterion. Procedure D also has utility for assessing the robustness of protective clothing materials and assemblies as part of quality systems. It is also possible to use Procedure D to supplement the pass/fail results provided by Procedures A, B, and C.

5.6.3 Procedure E permits setting a specific sequence of pressure/time exposures based on the specific needs for the testing.

5.6.4 In this test method, a hydrostatic pressure is applied but does not necessarily correlate with a mechanical pressure against a semi-rigid or rigid surface.

5.6.5 It is recommended that a human factors investigation, hazard/risk exposure assessment, or similar study be conducted to determine the most suitable procedure for relating the choice of a specific procedure for measuring protective clothing material liquid penetration resistance to the intended protective performance of the clothing material.

5.7 This test method permits the use of a retaining screen for preventing the overextension of a specimen as pressure is

**TABLE 1 Pressure/Time Sequences and Conditions for Selected Circumstances**

Procedure	Pressure/Time Sequence <sup>A</sup>	Circumstance
A	0 psig for 5 min followed by 2 psig (13.8 kPa) for 10 min	Used for selecting protective clothing materials, seams, and closures to limit exposure to liquid splashes.
B	0 psig for 5 min followed by 1 psig (6.9 kPa) for 10 min	Used for selecting extensible protective clothing materials (such as gloves) to limit exposure to liquid splashes.
C <sup>B</sup>	0 psig for 5 min followed by 2 psig (13.8 kPa) for 1 min followed by 0 psig for 54 min	Used for selecting protective clothing materials, seams, and closures to limit exposure of fire-service personnel to liquid splashes during emergency responses.
D	0 psig to 10 psig (68.9 kPa) in 0.5-psig (3.5-kPa) increments at 60-s intervals	Used when the pressure where penetration occurs is sought without a set pressure pass/fail criteria limit. Can also be used for quality control purposes on the assurance of material or seam liquid holdout.
E	Include in the report the time and pressure sequence used if different from Procedure A, B, C, or D	Used for other specified needs or circumstance.

<sup>A</sup>Use of a retaining screen is optional. If a retaining screen is used, indicate its use in the report.

<sup>B</sup>Procedure C is specified in several standards for emergency response protective clothing, including NFPA 1951, NFPA 1952, NFPA 1971, NFPA 1991, and NFPA 1992, available from NFPA, Batterymarch Park, Quincy, MA 02269.

5.4 Five different procedures for how the specimen is exposed to the liquid are provided in **Table 1**. In this test method, all procedures involve liquid exposure that is continuous over the duration of the test. These procedures entail different hydrostatic pressures and durations of liquid exposure.

5.4.1 Procedures A, B, and C apply a set pressure (6.9 or 13.8 kPa [1 or 2 psig]) for a specified period of time (1 or 10 min) over a 15- or 60-min liquid exposure time.

5.4.2 Procedures A and B represent the originally established methods of liquid contact developed by the National Institute for Occupational Safety and Health, where Procedure A involves the application of a test pressure (13.8 kPa [2 psig]) that has been found to discriminate the liquid barrier performance of materials, while a lower pressure (6.9 kPa [1 psig]) is used for Procedure B to accommodate materials that exhibit ballooning or extension when the 13.8 kPa (2 psig) pressure is applied.<sup>8,9</sup> Both procedures entail exposure of the specimen for

<sup>7</sup>Stull, J. O., White, D. F., and Greimel, T. C., "A Comparison of the Liquid Penetration Test with Other Chemical Resistance Tests and its Application in Determining the Performance of Protective Clothing," *Performance of Protective Clothing: Fourth Volume*, ASTM STP 1133 (J. McBriarity and N. Henry, Eds.), ASTM International, West Conshohocken, PA, 1992, pp. 123–140.

<sup>8</sup>Mansdorf, S. Z., and Berardinelli, S. P., "Chemical Protective Clothing Standard Test Method Development Part 1: Penetration Test Method," *American Industrial Hygiene Association Journal*, Vol 49, No. 1, 1988, pp. 21–25.

<sup>9</sup>Berardinelli, S. P. and Cottingham, L., "Evaluation of Chemical Protective Garment Seams and Closures for Resistance to Liquid Penetration," *Performance of Protective Clothing*, ASTM STP 900 (R. L. Barker and G. C. Coletta, Eds.), ASTM International, West Conshohocken, PA, 1986, pp. 263–275.

applied. However, it is important that the selected retaining screen does not interfere with the observation of liquid penetration or affect the sealing of the specimen in the test cell.

5.8 A critical feature of the test is how the specimen is sealed in the test cell. Inadequate sealing of the specimen can lead to a false result (observed liquid penetration that is due to the method of sealing rather than penetration through the specimen). It is recommended that any special means used to seal specimens in the test cell be validated for providing sufficient integrity of the specimen in the test cell, not contribute to specimen damage, and not interfere with the observation of liquid penetration. Special means used to seal specimens in the test cell should be documented in the report.

5.9 A minimum number of three test specimens is established for this test method. However, it is also appropriate to establish sampling plans based on a specific acceptable quality limit using a larger number of specimens depending on the application of the test method. Potential sampling plans for this approach are found in MIL-STD-105E, ANSI/ASQC Z1.4, and ISO 2859-1.

5.10 This test method does not address the liquid penetration of full protective clothing or ensembles. Use Test Method **F1359** to provide a complete evaluation of the liquid integrity of protective clothing or ensembles, particularly areas of the clothing or ensembles that cannot be directly assessed by this test method such as interface areas between different items of clothing and equipment.

## 6. Apparatus

6.1 *Thickness Gage*, suitable for measuring thickness to the nearest 0.001 in. or (nearest 0.01 mm), as specified in Test Method **D1777**.

6.2 *Liquid Penetration Tester*, as shown in **Figs. 1-9**. See **Table 2** for parts and materials.

**TABLE 2 Parts and Materials for Liquid Chemical Penetration Test Equipment for Protective Clothing Material (See **Figs. 1-9**)<sup>A</sup>**

Quantity	Description
1	Air pressure regulator ¼ NPT, adjustable 0 – 10 psig relieving type
1	Adjustable relief valve with 0 – 30 psi range, set at 11 psig
1	Pressure gage 0 – 15 psig ½-in. (115-mm) diameter ANSI Grade A 1 % (a magnehelic-type pressure gage is preferred.)
1	¼ NPT 3-way cock with wrench
3	¼ NPT × 1½-in. (38-mm) No. 316 pipe nipples
1 set	¼ NPT air line speed coupler, plug, and socket
3 ft	¼-in. (6-mm) rubber air hose with ¼ NPT female coupling
2	½-in. (13-mm) split shaft collars
	Miscellaneous ¼ NPT galvanized pipe fittings and fasteners, readily available at most hardware stores have not been specified
	Gasket material—¼-in. (6-mm) expanded PTFE cord. ASTM <b>F104</b> (F420000) has been found useful
1	Ball Valve, ¼ NPT Type 316 stainless steel
1	½-in. (13-mm) diameter 2-piece Shaft Collar

<sup>A</sup>Penetration test apparatus, available from Wilson Road Machine Shop, 1170 Wilson Road, Rising Sun, MD 21911 and the Kent Machine Co., 4445 Allen Rd., Stow, OH 44224, have been found suitable.

NOTE 1—A 5-psig pressure gage is acceptable for use with Procedures A, B, and C. Digital and other automated pressurization and monitoring systems may also be acceptable.

6.2.1 *Test Cell*, consisting of a chamber for the challenge liquid and a restraining ring which holds the outside surface of the specimen in contact with the challenge liquid on the open side of the chamber and which allows observation of the specimen's inside surface through a viewing port. A transparent cover is optional.

6.2.2 *Safety Shield*, transparent and shatter resistant, to separate the liquid penetration test unit from the observer (see **Fig. 1**).

6.2.3 *Screen*, retaining, optional (see **Table 1**), with at least 50 % open area. The purpose of the screen is to limit distention of the test specimen to 0.2 in. (5 mm) or less. Examples of retaining screens are 11 by 11 nylon screen, 14 by 14 polypropylene screen, and 13 by 13 polyester screen.<sup>10</sup>

NOTE 2—It is important to select a screen that does not cause damage to the specimen when clamped on top of the specimen in the test cell.

## 7. Hazards

7.1 Before carrying out this test method, identify and review safety precautions recommended for handling each chemical of interest to provide appropriate protection to all personnel.

7.1.1 For carcinogenic, mutagenic, teratogenic, and other toxic (poisonous) chemicals, isolate the work area under adequate exhaust ventilation and keep it meticulously clean. Outfit involved personnel with appropriate protective clothing and equipment and train in use as required by federal, state, and local regulations.

7.1.2 For corrosive or otherwise hazardous chemicals, outfit involved personnel, as a minimum, with protective clothing and equipment and train in use as required by federal, state, and local regulations.

7.2 Keep emergency equipment, such as a safety shower, eye wash, and self-contained breathing apparatus readily accessible to the test area.

7.3 Use a transparent safety shield (6.2.2) between the test cell and the observer.

7.4 Dispose of hazardous chemicals according to federal, state, and local regulations.

## 8. Test Specimen

8.1 Specimens consist of either a single layer or a composite of multiple layers which is representative of an actual protective clothing material or construction with all layers arranged in proper order.

NOTE 3—The use of canning wax, flowable silicone rubber, and other materials has been found effective to seal the edges of multi-layer samples prior to testing. This can reduce the occurrence of challenge liquid wicking at the edges. Validation of sealing material performance is recommended to ensure the sealing material does not impact testing.

8.1.1 If in the design of an item of protective clothing different materials or thickness of materials are used at different locations, select and test specimens from each location.

<sup>10</sup>The retaining screens listed are No. 9318T12, 9275T63, and 9218T12, respectively, available from McMaster Carr Supply Co., P.O. Box 4335, Chicago, IL 60680.

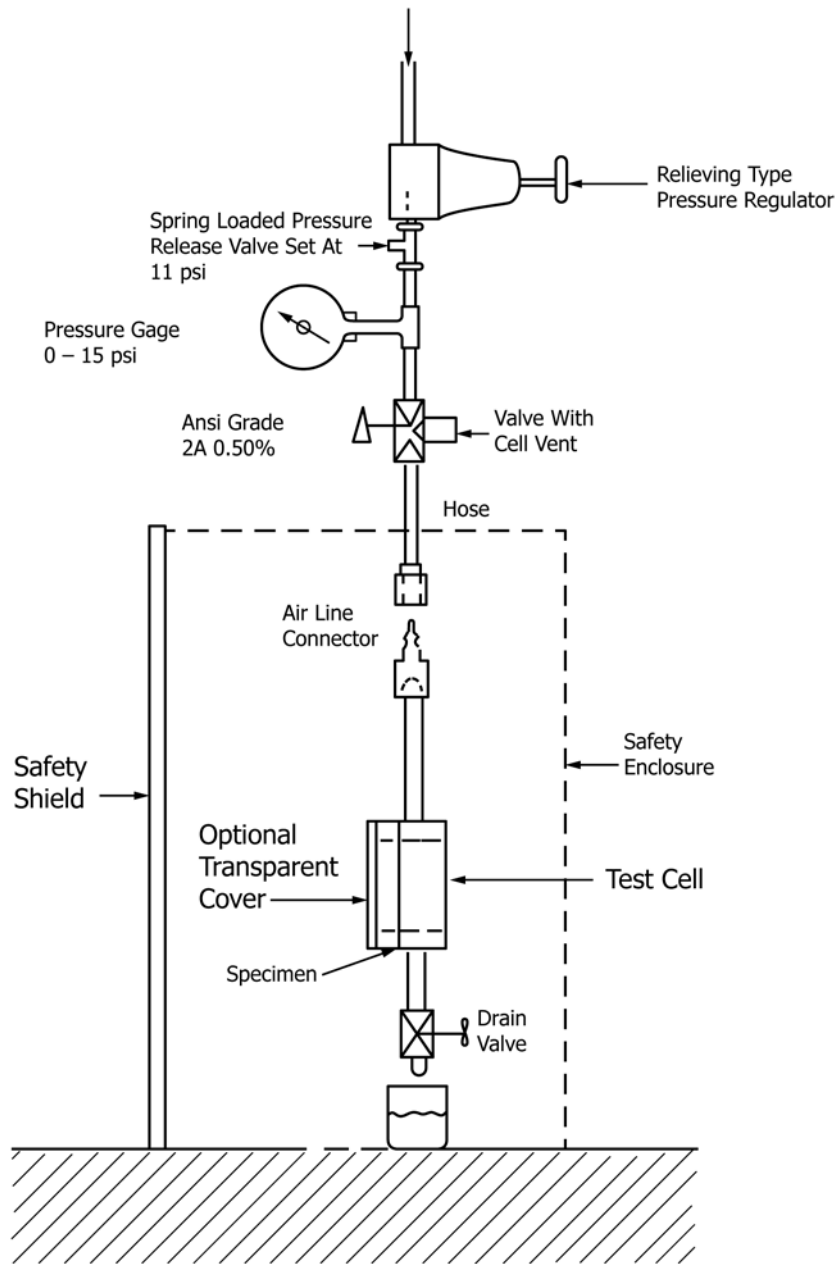


FIG. 1 Liquid Penetration Tester

8.1.2 If in the design of an item of protective clothing stitched-through or other type seams are used, select and test additional specimens containing such seams.

8.2 Use material specimens that have a minimum dimension of 2.75 in. (70 mm).

8.2.1 For seam specimens, position the seam in the center of the specimen to be tested.

8.3 Test a minimum of three random specimens for each material, composite, area (in the case of a heterogeneous design), or other conditions specified by the test requestor. Generate random specimens as described in Practice E105.

**9. Procedure**

9.1 Using Test Method D1777, measure the thickness of each specimen to the nearest 0.001 in. or (nearest 0.02 mm) and record. Measure the unit area weight of each specimen in  $g/m^2$  ( $oz/yd^2$ ) in accordance with Test Methods D3776. For nonuniform samples, record the lowest values.

9.2 Place a droplet of the challenge liquid on the normally inside surface of an extra piece of the material to be tested to predetermine the visual appearance of end point penetration. The droplet must remain easily visible to ensure that any droplet that penetrates the material will be seen. If the droplet

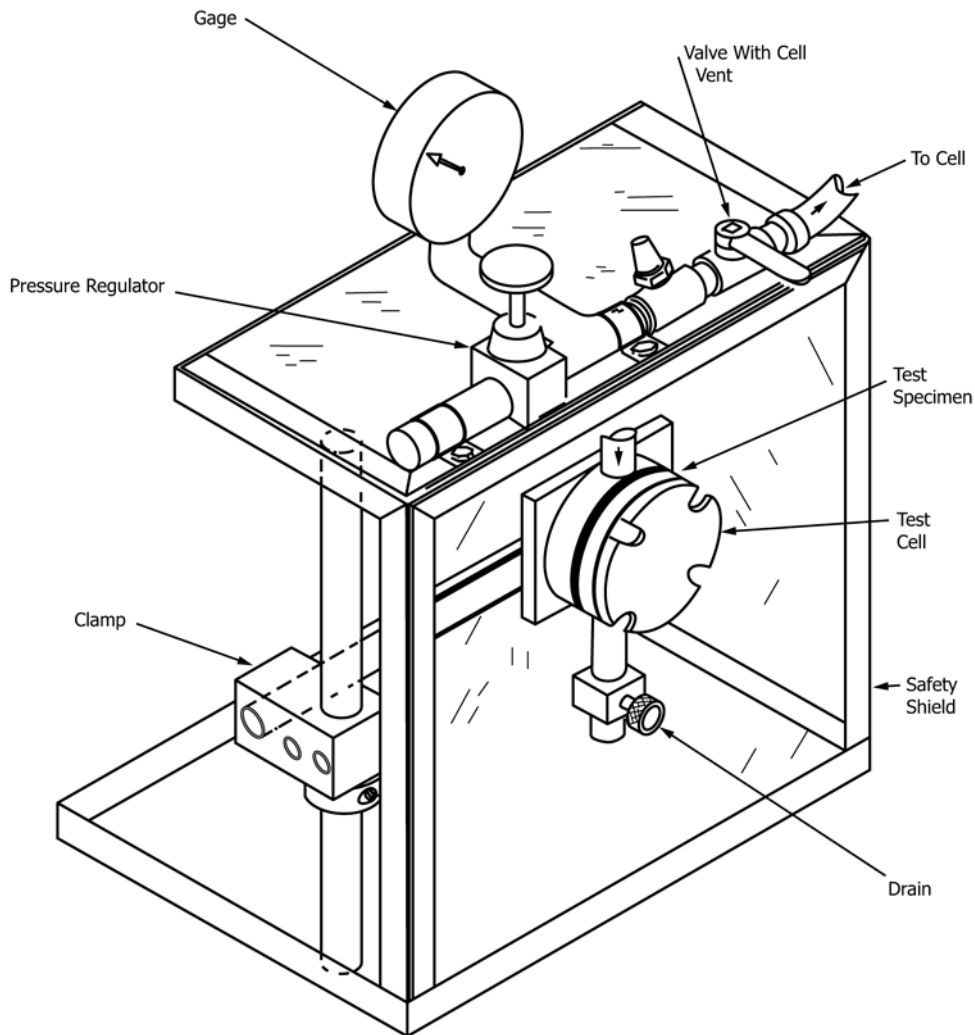


FIG. 2 Three-Dimensional Side View of the Test Apparatus

is not easily visible, one of the following methods may be effective in enhancing droplet visibility by producing a characteristic discoloration:

9.2.1 Apply talcum powder on the normally inside surface of the specimen.

9.2.2 Add food coloring, an acid-base indicator, or Oil Red to the challenge liquid.

9.2.3 Apply food coloring or Oil Red to the normally inside surface of the specimen.

9.2.4 Add a fluorescent dye to the challenge liquid.

9.2.5 Record the amount and type of additive used to enhance droplet visibility.

NOTE 4—Contaminants in the colorant may change the surface energy of the challenge liquid and affect the test results. Use as little amount as required to achieve required droplet visibility.

9.3 Mount the first specimen in the test cell with the normally outside surface toward the chemical chamber and assemble it as shown in Fig. 1. A transparent cover (see Fig. 3) is optionally mounted directly on the test cell as long as it does not alter the test results.

NOTE 5—The use of the transparent cover may permit the condensation

of vapor that permeates but does not penetrate the specimen, leading to possible false indications of penetration.

9.4 If the test is to be carried out at a non-ambient temperature, place the assembled test cell in a constant temperature chamber at the test temperature. Also, bring the challenge liquid to the test temperature.

9.5 Remove the male air-line connector from the pipe nipple on the test cell. With the test cell vertically oriented, allowing the air to vent, carefully fill the chamber of the test cell with enough challenge liquid to ensure the chamber will remain full even if the specimen distends when pressure is applied. Use of a funnel is one way to make filling the cell easier.

NOTE 6—To eliminate trapped air in the test cell, it has been found effective to place the cell in a vertical position and use a 60-mL or larger syringe to fill the test cell from the bottom through the drain port.

9.6 Attach the air-line connector to the pipe nipple, and connect it to a source of pressure, making sure the valve is in the vent position.

9.7 Set the pressure regulator to 0 psig pressure and close the cell vent valve.

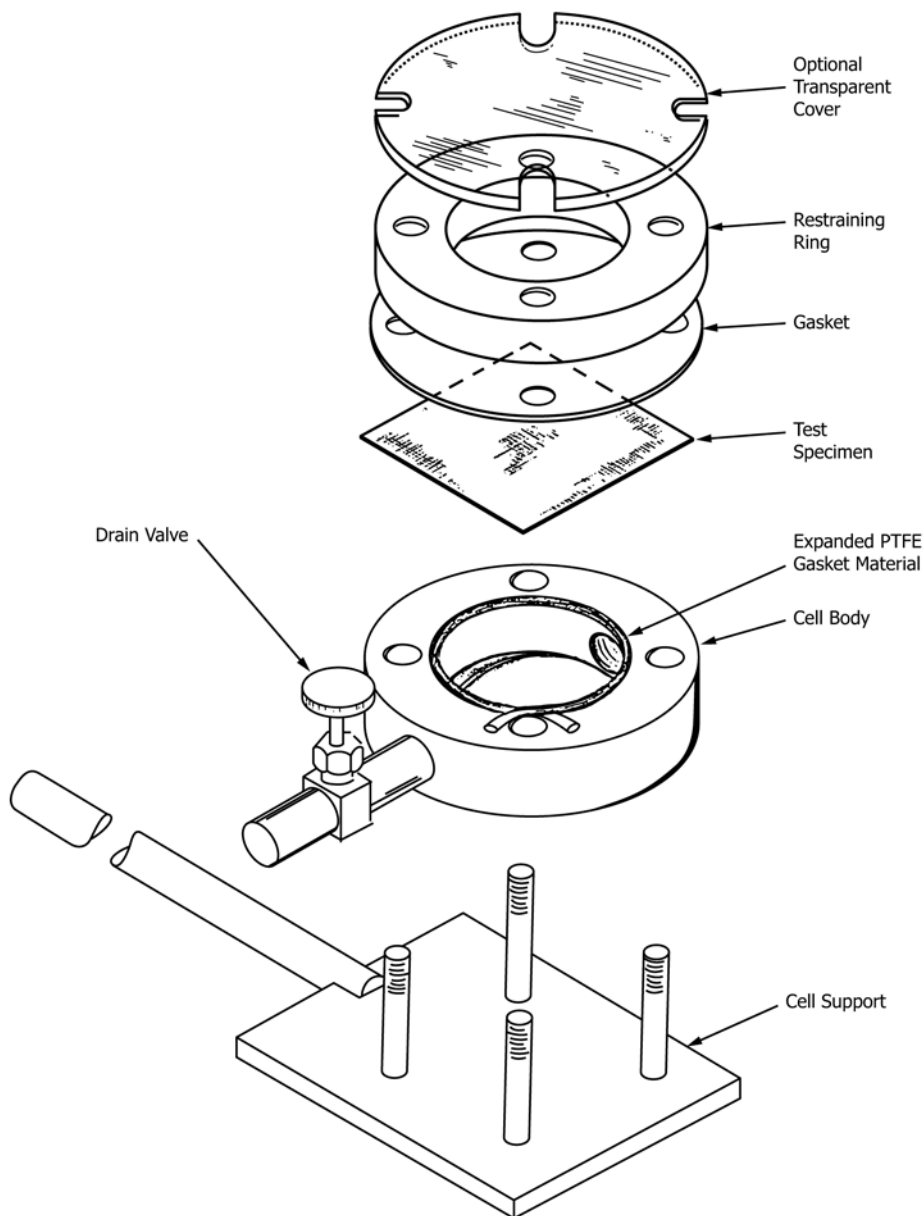


FIG. 3 Exploded View of the Penetration Test Cell

9.8 Expose the challenge liquid to the pressure(s) and for the time(s) called for in the procedure selected from **Table 1**, changing the pressure at the rate of no more than 0.5 psig/s (3.5 kPa/s).

9.8.1 For Procedure D, follow the instructions provided in **9.12**.

9.8.2 For Procedure E, follow the instructions provided in **9.13**.

9.9 Observe the specimen. The specimen fails if a droplet of liquid appears or a characteristic discoloration (see **9.2**) indicating the presence of the chemical appears on the viewing side of the specimen, or both. If this occurs, record the failure and terminate the test.

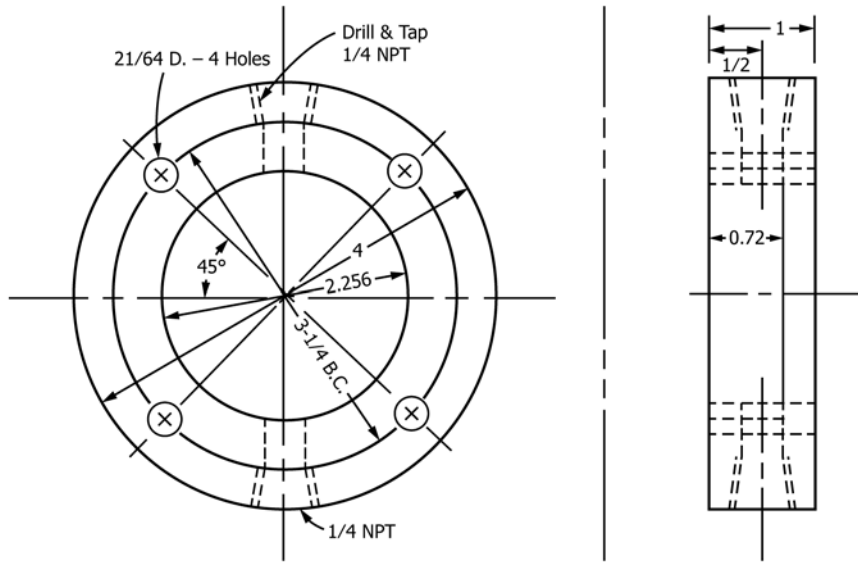
9.9.1 If no liquid or characteristic discoloration appears for the duration of the test, record the specimen as passing.

9.9.2 In some cases the appearance of liquid or characteristic discoloration is caused by permeation of the chemical. If this occurs, record it as a failure and terminate the test.

9.9.3 If penetration is observed, note the location on the specimen where it was observed.

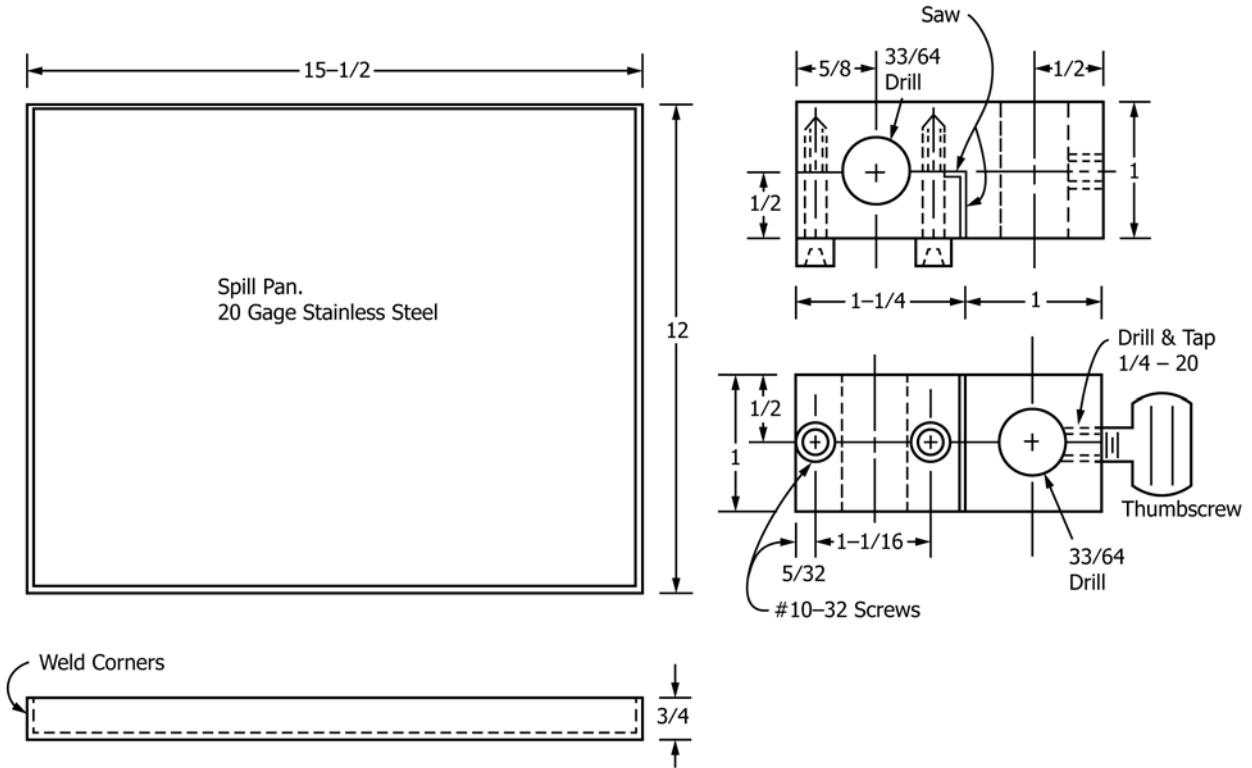
NOTE 7—In addition to the visual detection aids described in **9.2**, blotting paper lightly touched against the surface of the specimen in the area of suspected penetration provides a useful means for confirming liquid penetration

9.10 At the conclusion of the test, relieve the test pressure and drain the chemical chamber. Flush the test cell with an appropriate wash liquid to remove or render harmless any traces of the test chemical. Remove the specimen and gasket from the cell and discard. Clean any external parts of the test cell which were touched by the liquid.



NOTE 1—All dimensions are in inches. (1 in. = 25.4 mm)

FIG. 4 Cell Body. Penetration Tester ASTM Committee F23.30, Material PTFE, or Other Suitable for Chemicals Used



NOTE 1—All dimensions are in inches. (1 in. = 25.4 mm)

NOTE 2—Material is steel.

FIG. 5 Spill Pan and Swivel Clamp

9.11 Test remaining specimens.

9.12 Procedure D:

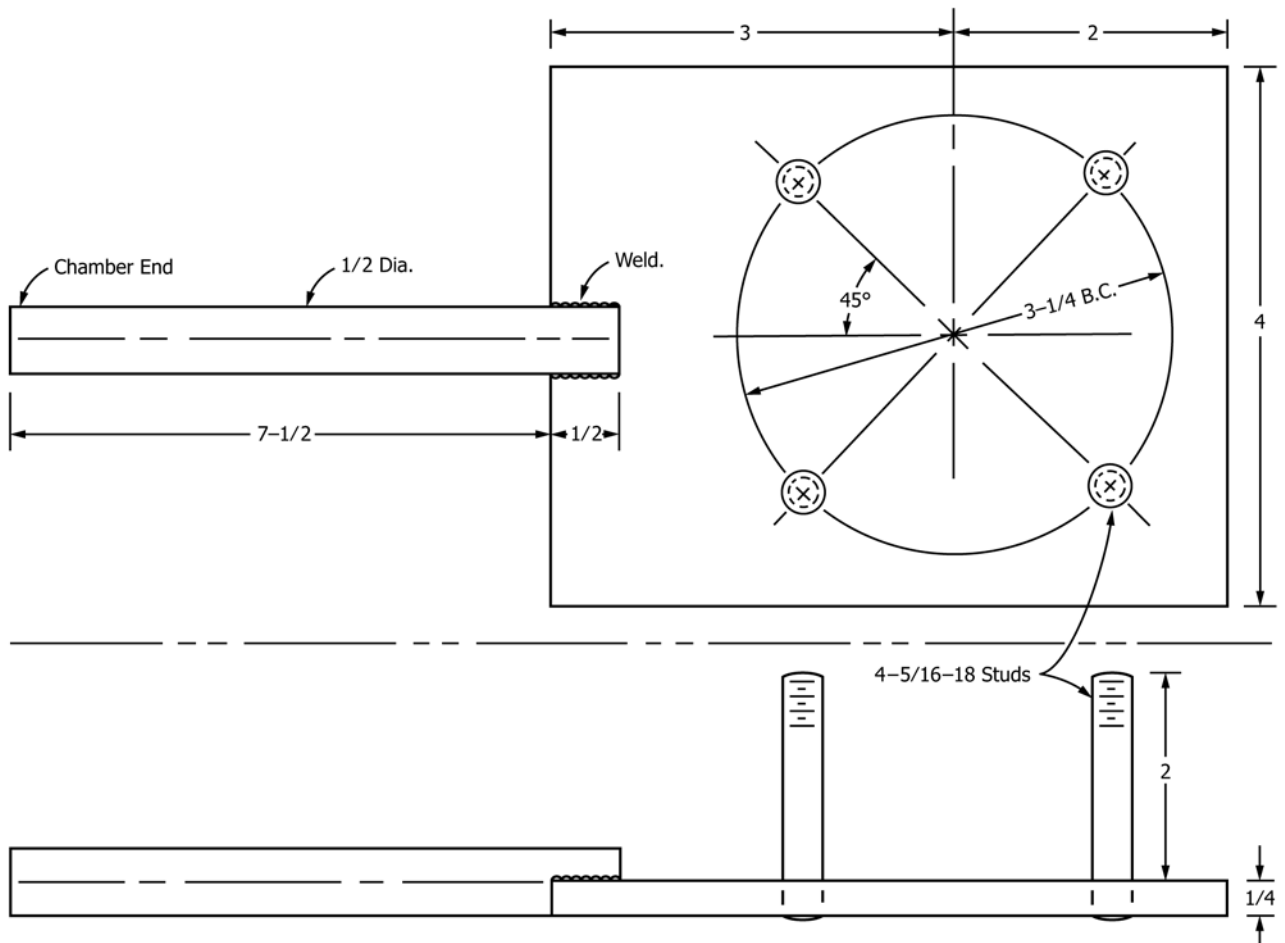
9.12.1 Start at 0 psig and observe for liquid penetration for 60 s.

9.12.1.1 The specimen exhibits liquid penetration if a droplet of liquid appears or a characteristic discoloration (see 9.2)

indicating the presence of the chemical appears on the viewing side of the specimen, or both.

9.12.2 As long as no liquid penetration has been observed, continue increasing pressure in 0.5-psig (3.5-kPa) increments at 60-s intervals up to 10 psig (68.9 kPa) or to an agreed upon maximum pressure indicated by the specifier of the test.





NOTE 1—All dimensions are in inches. (1 in. = 25.4 mm)

NOTE 2—Material is steel.

FIG. 6 Cell Support for Penetration Tester

9.12.2.1 Change the pressure at a rate of no more than 0.5 psig/s (3.5 kPa/s).

9.12.3 If penetration is observed, record the penetration pressure and terminate the test.

9.12.3.1 The penetration pressure recorded is the pressure at which penetration is noted.

9.12.3.2 If penetration is observed, note the location on the specimen where it was observed.

NOTE 8—If unsure that the test specimen has the physical strength to withstand 10 psig (68.9 kPa) without bursting or tearing, then a trial run with water as the challenge liquid is suggested before the liquid challenge chemical is used.

NOTE 9—Running increments up to 10 psig produces 21 total assessments.

9.12.4 If no liquid or characteristic discoloration appears for the duration of the test, record the specimen as having penetration resistance >10 psig (68.9 kPa).

9.12.5 At the conclusion of the test, relieve the test pressure and drain the chemical chamber. Flush the test cell with an appropriate wash liquid to remove or render harmless any traces of the test chemical. Remove the specimen and gasket from the cell and discard. Clean any external parts of the test cell which were contacted by the liquid.

9.12.6 Test remaining specimens.

9.13 Procedure E:

9.13.1 If other pressure and time test conditions are used, document the details of the exposure conditions in the report.

## 10. Report

10.1 State that the tests were conducted as directed in Test Method F903.

10.2 For each material or material assembly tested, report the following information:

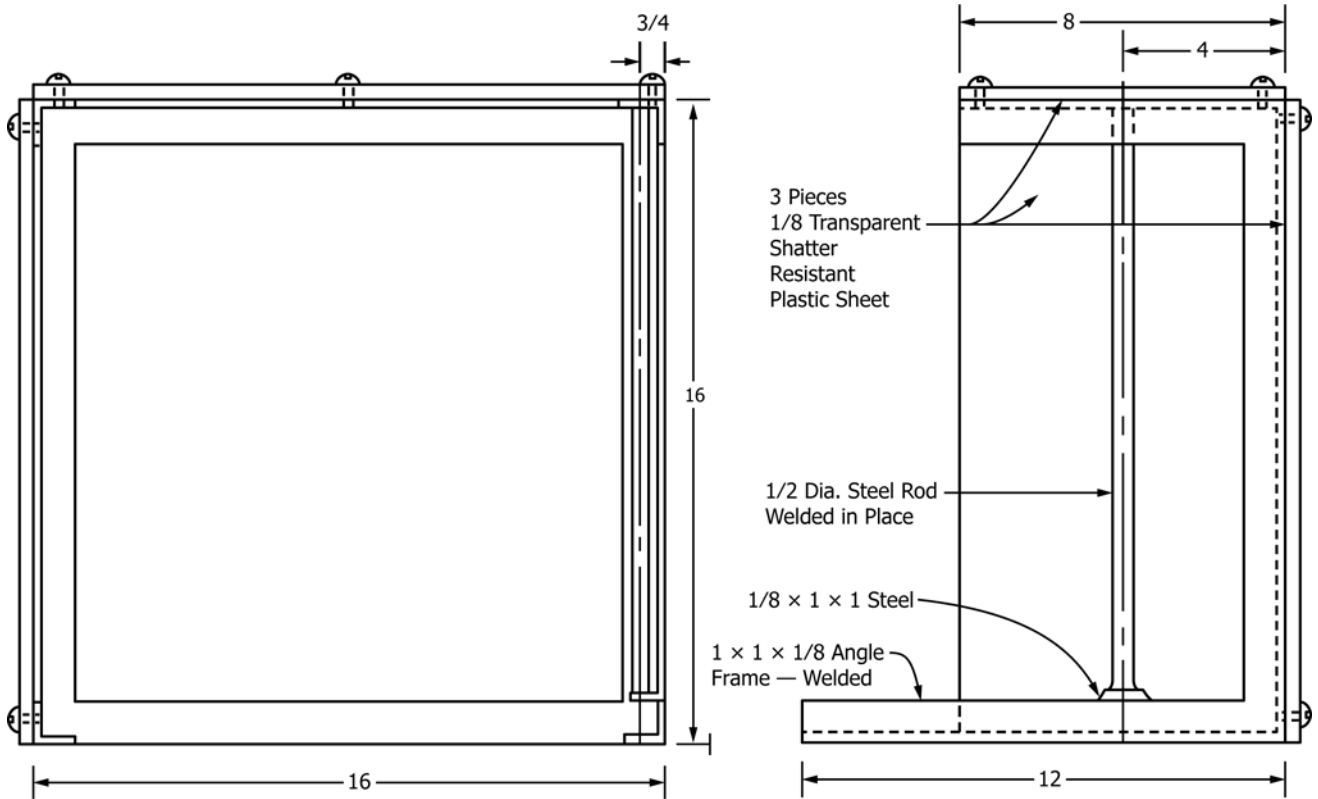
10.2.1 Type, supplier, and lot number of the material tested. If the material was taken from clothing items, report under subheadings for each material, composite, type of seam, or other constructions tested, and its location on the clothing item.

10.2.2 Thickness of each material specimen and the average thickness of the specimens tested.

10.2.3 Basis weight of each material specimen and the average basis weight of the specimens tested.

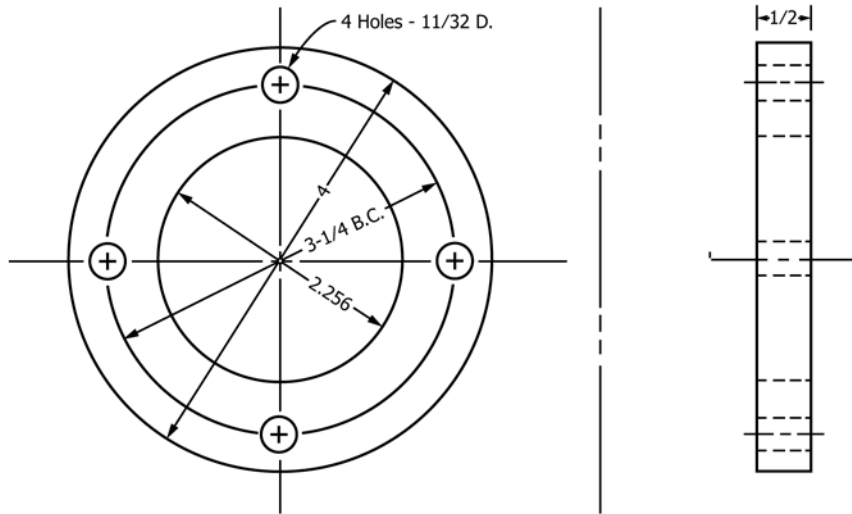
10.2.4 Challenge liquid used (chemical name, concentration, and CAS number).

10.2.5 Procedure used (from Table 1).



NOTE 1—All dimensions are in inches. (1 in. = 25.4 mm)

FIG. 7 Support Frame and Safety Shield for Penetration Tester



NOTE 1—All dimensions are in inches. (1 in. = 25.4 mm)

NOTE 2—Material is aluminum.

FIG. 8 Restraining Ring for Penetration Tester

10.2.5.1 If Procedure E is used, report the time and pressure sequence noted in the test report.

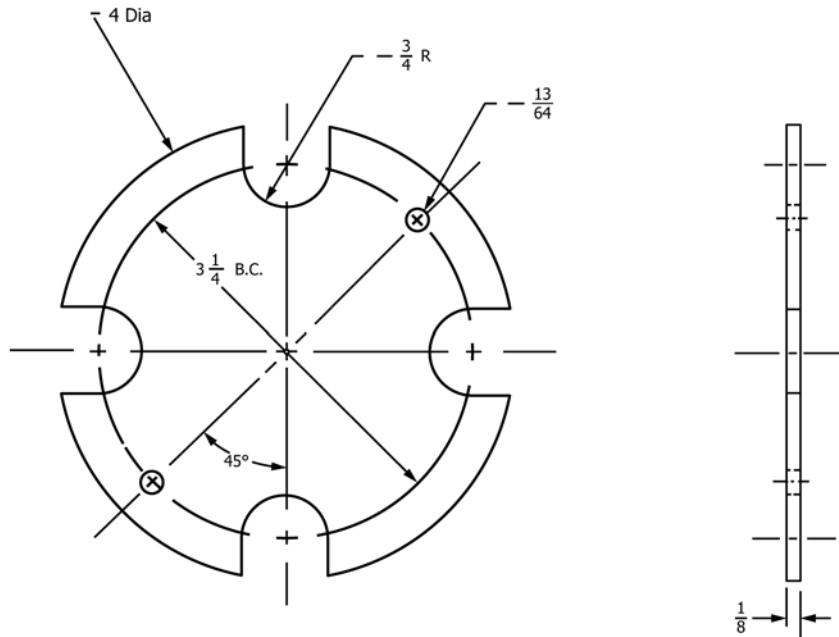
10.2.6 Temperature at which the test was performed. If the temperature of the cell and liquid were different at the start and end of the test, report both.

10.2.7 Type, composition, and application procedure of the leak indicator, if one was used (see 9.2).

10.2.8 If Procedure A, B, or C was used, list the penetration results as pass or fail for each specimen.

10.2.8.1 If using a reporting interpretation different from 10.2.8, document the interpretation applied.

10.2.9 If Procedure D was used, list the individual pressure at which liquid penetration was noted for each specimen.



NOTE 1—All dimensions are in inches. (1 in. = 25.4 mm)

NOTE 2—Material is transparent shatter-resistant plastic sheet.

FIG. 9 Optional Transparent Cover for Test Cell Viewing Port

10.2.9.1 If using a reporting interpretation different from 10.2.9, document the interpretation applied.

10.2.10 If penetration was observed, the location on the specimen where it was observed.

10.2.11 Type of screen, if one was used.

## 11. Precision and Bias

11.1 A 1998 interlaboratory study involving seven laboratories, five materials (PVC, PVA, neoprene, butyl rubber, and flash spun polyethylene), and five challenge liquids (water,

toluene, methyl ethyl ketone, n-hexane, and hydrochloric acid) found 90.5 % agreement across materials and liquids using Procedure A.<sup>8</sup>

11.2 *Bias*—At the time of the study, there was no accepted reference material suitable for determining the bias for this test method, therefore no statement on bias is being made.

## 12. Keywords

12.1 barrier; chemical liquid barrier; closure; liquid barrier; penetration; protective clothing; seam

*ASTM International takes no position respecting the validity of any patent rights asserted in connection with any item mentioned in this standard. Users of this standard are expressly advised that determination of the validity of any such patent rights, and the risk of infringement of such rights, are entirely their own responsibility.*

*This standard is subject to revision at any time by the responsible technical committee and must be reviewed every five years and if not revised, either reapproved or withdrawn. Your comments are invited either for revision of this standard or for additional standards and should be addressed to ASTM International Headquarters. Your comments will receive careful consideration at a meeting of the responsible technical committee, which you may attend. If you feel that your comments have not received a fair hearing you should make your views known to the ASTM Committee on Standards, at the address shown below.*

*This standard is copyrighted by ASTM International, 100 Barr Harbor Drive, PO Box C700, West Conshohocken, PA 19428-2959, United States. Individual reprints (single or multiple copies) of this standard may be obtained by contacting ASTM at the above address or at 610-832-9585 (phone), 610-832-9555 (fax), or service@astm.org (e-mail); or through the ASTM website (www.astm.org). Permission rights to photocopy the standard may also be secured from the Copyright Clearance Center, 222 Rosewood Drive, Danvers, MA 01923, Tel: (978) 646-2600; http://www.copyright.com/*