



Standard Specification for Electrofusion Type Polyamide-12 Fittings for Outside Diameter Controlled Polyamide-12 Pipe and Tubing for Gas Distribution¹

This standard is issued under the fixed designation F2767; the number immediately following the designation indicates the year of original adoption or, in the case of revision, the year of last revision. A number in parentheses indicates the year of last reapproval. A superscript epsilon (ϵ) indicates an editorial change since the last revision or reapproval.

1. Scope*

1.1 This specification covers polyamide- 12 electrofusion fittings for use with outside diameter-controlled polyamide- 12 pipe, covered by Specification [F2785](#). Requirements for materials, workmanship, and testing performance are included. Where applicable in this specification “pipe” shall mean “pipe” or “tubing.”

1.2 Polyamide 12 electrofusion fittings are intended for use in polyamide 12 systems only. As per the manufacturer’s recommendations, no cross fusion between PA12, PA11 and PE is permitted.

1.3 The values stated in inch-pound units are to be regarded as standard. The values given in parentheses are mathematical conversions to SI units that are provided for information only and are not considered standard.

1.4 The following safety hazards caveat pertains only to the test method portion, Section 9, of this specification: *This standard does not purport to address all of the safety concerns, if any, associated with its use. It is the responsibility of the user of this standard to establish appropriate safety and health practices and determine the applicability of regulatory limitations prior to use.*

2. Referenced Documents

2.1 ASTM Standards:²

- [D638 Test Method for Tensile Properties of Plastics](#)
- [D1598 Test Method for Time-to-Failure of Plastic Pipe Under Constant Internal Pressure](#)
- [D1599 Test Method for Resistance to Short-Time Hydraulic Pressure of Plastic Pipe, Tubing, and Fittings](#)
- [D1600 Terminology for Abbreviated Terms Relating to Plastics](#)

¹ This specification is under the jurisdiction of ASTM Committee [F17](#) on Plastic Piping Systems and is the direct responsibility of Subcommittee [F17.60](#) on Gas.

Current edition approved Oct. 15, 2012. Published December 2012. Originally approve in 2009. Last previous edition approved in 2009 as F2767-09. DOI: 10.1520/F2767-12.

² For referenced ASTM standards, visit the ASTM website, www.astm.org, or contact ASTM Customer Service at service@astm.org. For *Annual Book of ASTM Standards* volume information, refer to the standard’s Document Summary page on the ASTM website.

- [D2122 Test Method for Determining Dimensions of Thermoplastic Pipe and Fittings](#)
- [D4066 Classification System for Nylon Injection and Extrusion Materials \(PA\)](#)
- [D6779 Classification System for and Basis of Specification for Polyamide Molding and Extrusion Materials \(PA\)](#)
- [F412 Terminology Relating to Plastic Piping Systems](#)
- [F905 Practice for Qualification of Polyethylene Saddle-Fused Joints](#)
- [F2785 Specification for Polyamide 12 Gas Pressure Pipe, Tubing, and Fittings](#)

3. Terminology

3.1 Definitions are in accordance with Terminology [F412](#), and abbreviations are in accordance with Terminology [D1600](#), unless otherwise specified.

3.2 Definitions of Terms Specific to This Standard:

3.2.1 *electrofusion*—a heat fusion joining process where the heat source is an integral part of the fitting, such that when electric current is applied, heat is produced that melts and joins the plastics.

3.2.2 *fusion interface*—surface in the heat fusion process where the plastic materials of the products being joined bond together.

3.2.3 *fusion zone length*—total length of the melted material in the fitting cross-section under evaluation.

4. Materials and Manufacture

4.1 This specification covers fittings made from polyamide 12 (PA12) meeting the requirements for Group 4, Class 2, and Grade 3, (PA423 16) as prescribed in Specification [D6779](#) and [D4066](#).

4.2 *Rework Material*—Clean rework polyamide- 12 material of the same resin, free of any wire or contaminants generated from the fitting manufacturer’s own production, may be used by the same manufacturer, as long as the fittings produced conform to the requirements of this specification.

4.3 *Heating Mechanism*—The heat mechanism shall be of materials not detrimental to the performance of the fitting or the pipe to which it is intended to be joined.

*A Summary of Changes section appears at the end of this standard

5. Performance Requirements

5.1 The following requirements are for electrofusion joints that have been joined using the manufacturer's recommended joining procedures. These requirements must be met by each electrofusion joint design, on each size and type of pipe material for which the manufacturer recommends use of their fitting. Any revisions to the electrofusion joint design or processing by the manufacturer after the initial testing requires retesting to ensure these requirements can still be met. Fittings intended for use in the distribution of natural gas or liquid petroleum gas shall also meet the requirements of Specification **F2785**.

5.1.1 It is not required that each configuration of a fitting be tested to meet all of these qualifications (that is, 2 in. main saddle joint with multiple outlet configurations offered) as long as the electrofusion joint design is not altered in the configuration differences.

NOTE 1—It is permissible when accomplishing these tests, to do so on the highest and lowest dimension ratio of the same pipe material. If in those tests all performance requirements are met, all dimension ratios between those tested may be considered as having met the requirements. These tests do not have to cover the full range of dimension ratios available, only the dimension ratio range on which the manufacturer recommends his fitting be used.

5.2 Pressure Requirements:

5.2.1 *Minimum Hydraulic Burst Pressure*—The minimum hydraulic burst pressure of the test specimen shall not be less than that required to produce 3900psi (26.9MPa) fiber stress in the pipe being used in the test when tested in accordance with **9.1**. The test equipment, procedures, and failures definitions shall be as specified in Test Method **D1599**.

5.2.2 *Sustained Pressure*—The fitting and fused joint shall not fail when tested in accordance with **9.2**.

5.3 *Tensile Strength Requirements (Coupling Type Joints Only)*—The fitting or the pipe to fitting joint made on pipe shall not fail when tested in accordance with **9.3**. Specimens shall be subjected to a tensile stress that causes the pipe to yield or causes the pipe to break outside the joint area. Tensile tests must be made on specimens as joined, not on straps cut from the specimen. Yielding must be measured only in the pipe, independent of the fitting or joint.

5.4 *Impact Resistance (Saddle Type Joints Only)*—The joint made on the specimen shall not fail when impacted with a force sufficient to break the body or other portion of the specimen. Tests of 500 ft-lb or higher impact with no failures noted shall be considered as a “pass” impact test. The device for testing and the methods shall be as defined in Practice **F905**.

5.5 *Joint Integrity Tests—(Couplings and Saddle Type Joints)*—The joint made on the specimen shall meet the requirements in **9.4** and **9.5** of this specification, when tested in accordance with **9.4**.

6. Dimensions, Mass, and Permissible Variations

6.1 Dimension and tolerances of electrofusion fittings must be such that heat fusion is possible to outside diameter (OD) controlled PA-12 pipes such as those listed in Specification

F2785, such that the joints will satisfy the performance requirements in Section 5. (See Test Method **D2122**.)

6.2 Because of the varying designs for electrofusion fittings, the actual spread of dimensions may be quite different from manufacturer to manufacturer. A table of dimensions and tolerances encompassing these differences would be meaningless and without value and, therefore, is omitted from this specification.

6.3 The manufacturer shall furnish to the user the electrical resistance, critical dimensions, and tolerances of his fittings. This information must include at least the following dimensions and tolerances:

- 6.3.1 Coupling inside diameter,
- 6.3.2 Temperature joining limits, and
- 6.3.3 Operating pressure of the fitting.

NOTE 2—There are other items that fall beyond the scope of this specification which would be of interest to the user for proper application of the fittings and is recommended as additional information to be furnished. A few of these are: (1) maximum pipe out of round allowed at joint area; (2) minimum/maximum pipe SDR capability of the fitting, and (3) for saddles intended for use on a live main, the maximum allowable line pressure when making the joint.

7. Workmanship, Finish and Appearance

7.1 The manufacture of these fittings shall be in accordance with good commercial practice so as to produce fittings meeting the requirements of this specification.

7.2 The fittings shall be homogeneous throughout, except where a heating coil or electrical connectors are incorporated, and free of cracks, holes, foreign inclusions, or injurious defects such as gouges, dents, cuts, etc. The fittings shall be as uniform as commercially practicable in opacity, density, and other physical properties. Any heating coils, connecting cables, connectors, and related electrical power source shall be designed to prevent electrical shock to the user.

8. Specimen Preparation

8.1 Conditioning:

8.1.1 Unless otherwise specified, condition the specimens (pipe and fittings) prior to joining at the minimum pipe temperature allowable for fusion as recommended by the manufacturer, for not less than 16 h and make the fusion joint at that temperature for those tests where conditioning is required.

8.1.2 Unless otherwise specified, condition the specimens (pipe and fittings) prior to joining at the maximum pipe temperature allowable for fusion as recommended by the manufacturer, for not less than 16 h and make the fusion joint at that temperature for those tests where conditioning is required.

8.2 *Test Conditions*—Conduct the tests at the Standard Laboratory Temperature of $23.6 \pm 2^\circ\text{C}$ ($73.4 \pm 3.6^\circ\text{F}$) unless otherwise specified.

8.3 Preparation of Specimens for Testing:

8.3.1 Prepare test specimens so that the minimum length of unreinforced pipe on one side of any fitting is equal to three times the diameter of the pipe, but in no case less than 12 in. (304 mm). It is permissible to test multiple fittings together

provided they are separated by a minimum distance equal to three times the diameter of the pipe, but in no case less than 12 in. (304 mm).

8.3.2 Fuse all fitting outlets with the appropriate size pipe in accordance with the manufacturer’s recommended procedures.

8.3.3 All saddle fusion joint specimens conditioned as in 8.1.2 and destined for quick burst testing as in 9.1 and sustained pressure testing as in 9.2, are to be joined with the pipe at no less than maximum allowable operating pressure of the pipe system or fitting, whichever is lowest, when being prepared for those tests. The pipe should be left under pressure for a time period not less than recommended by the manufacturer for cooling in the field prior to disturbing the joint. Saddle joint specimens destined for mechanical/destructive type tests such as impact as in 5.4 or crush tests as in 9.4, or specimens conditioned for cold temperature joining as in 8.1.1, may be made on unpressured pipe specimens.

9. Test Methods

9.1 Minimum Hydraulic Burst Pressure Test:

9.1.1 Select four fittings at random and prepare specimens in accordance with Section 8. From the four specimens, condition two specimens each in accordance with 8.1.1 and 8.1.2.

9.1.2 Test the specimens in accordance with Test Method D1599.

9.1.3 Failure of the fitting or joint shall constitute specimen failure.

9.1.4 Failure of any one of the four specimens shall constitute failure of the test. Failure of one of the four specimens tested is cause for retest of four additional specimens, joined at the failed specimens joining temperature. Failure of any of these four additional specimens constitutes a failure of the test.

9.2 Sustained Pressure Test:

9.2.1 Select four fittings at random and prepare specimens in accordance with Section 8 of this specification. From the four specimens, condition two specimens each in accordance with 8.1.1 and 8.1.2.

9.2.2 Test the specimens in accordance with Test Method D1598. All tests shall be conducted at 80 ± 2°C. The assemblies are to be subjected to pipe fiber stresses of 1850 psi (12.8 MPa) for 170 h. Joint specimens shall not fail within these time periods. Any failures within these time periods must be of the pipe, independent of the fitting or joint and must be of a “brittle” type pipe failure, not “ductile.” If ductile pipe

failures occur, reduce the pressure of the test and repeat until 170-h results or pipe brittle failures are achieved.

9.2.3 Failure of the fitting or joint shall constitute specimen failure.

9.2.4 Failure of one of the four specimens tested is cause for retest of four additional specimens, joined at the failed-specimens-joining temperature. Failure of any of these four additional specimens shall constitute a failure of the test.

9.3 Tensile Strength Test:

9.3.1 Select four fittings at random and prepare specimens in accordance with Section 8. If the limits of tensile machine will not allow 25 % elongation with pipe specimens of three-pipe diameters on pipe sizes above 4 in. (102 mm) IPS than the minimum free pipe length can of 20 in. (304 mm). From the four specimens, condition two specimens each in accordance with 8.1.1 and 8.1.2.

9.3.2 Test the specimens using the apparatus of Test Method D638. Test at a pull rate of 0.20 in. (5.0 mm) per min, ±25 %.

9.3.3 Failure of the fitting or joint as defined in 5.3, shall constitute specimen failure. Failure of one of the four specimens tested is cause for retest of four additional specimens, joined at the failed specimens joining temperature. Failure of any of these four additional specimens shall constitute a failure of the test.

9.4 *Joint Integrity Tests*—Illustrations of joint crush tests for socket type joints and saddles are offered in 9.4.1 and 9.4.2 as test methods that are useful as an evaluation of bonding strength between the pipe and fitting. Alternately, the fusion evaluation test (FET) offered in 9.4.3 and 9.4.4 may be used in lieu of the crush test. Similar test evaluations as specified in the contract or purchase order and as agreed upon by the purchaser and manufacturer are of equal value in performing such evaluations and may be substituted with such agreement.

9.4.1 Joint Crush Test:

9.4.1.1 Select four fittings at random and prepare specimens in accordance with Section 8. From the four specimens, condition two specimens each in accordance with 8.1.1 and 8.1.2 (Note 3).

NOTE 3—It is permissible to utilize in joint integrity testing, specimens from the quick-burst tests conducted in 9.1 after visually determining that neither the joint area nor the pipe segment to be crushed was a part of the failure mode in the quick-burst test.

9.4.1.2 Slit socket joints longitudinally as illustrated in Fig. 1 as near the centerline of the pipe as practical. Pipe lengths

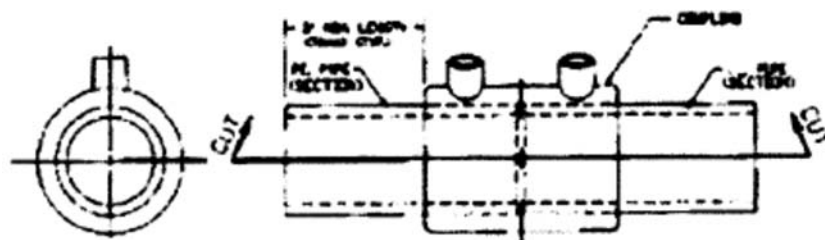


FIG. 1 Preparation of Coupling Specimen for Crush Test

extending out of the socket may be cut back to a minimum of 3 in. (76 mm) for ease of placing in a vise.

9.4.1.3 Place each specimen half in a vise such that the outermost wire of coil is within 1.250 ± 0.125 in. (32 ± 3 mm) of vise jaws, with the jaws closing only on the pipe portion of the specimen (Fig. 2).

9.4.1.4 Tighten the jaws of the vise on the pipe until the inner walls of the pipe meet (Fig. 3). Repeat crush test on both halves and each end of specimen, at all ends, where a joint exists.

9.4.1.5 Separation of the fitting from the pipe at the fusion interface constitutes a failure of the test. Some minor separation at the outer limits of the fusion heat source up to 15 % of the fusion length may be seen. This does not constitute a failure. Ductile failure in the pipe, fitting, or the wire insulation material, is acceptable as long as the bond interface remains intact.

9.4.1.6 Failure of any one of the four specimens shall be cause for retest of four additional fittings, joined at the same

temperature as the failed specimens. Failure of any of these four additional specimens shall constitute a failure of the test.

9.4.2 *Saddle Type Joint Crush Test (Not Full-Wrap Design):*

9.4.2.1 Select four fittings at random and prepare specimens in accordance with Section 8. From the four specimens, condition two specimens each in accordance with 8.1.1 and 8.1.2 (see 9.4).

9.4.2.2 Pipe lengths extending from saddle joint may be cut back clear up to the outer edges of the saddle for convenience of handling, if desired, however, it is not necessary. The length of the pipe extending beyond the saddle is not important to this test (Fig. 4).

9.4.2.3 Place the specimen in vise jaws as shown in Fig. 5, such that vise jaws are within 12 in. of saddle bottomjaws will close only on the pipe portion of the specimen.

9.4.2.4 Tighten the jaws of the vise on the pipe until the Saddle designs incorporating a bottom half saddle will need the inner walls of the pipe meet (Fig. 6) bottom half removed for

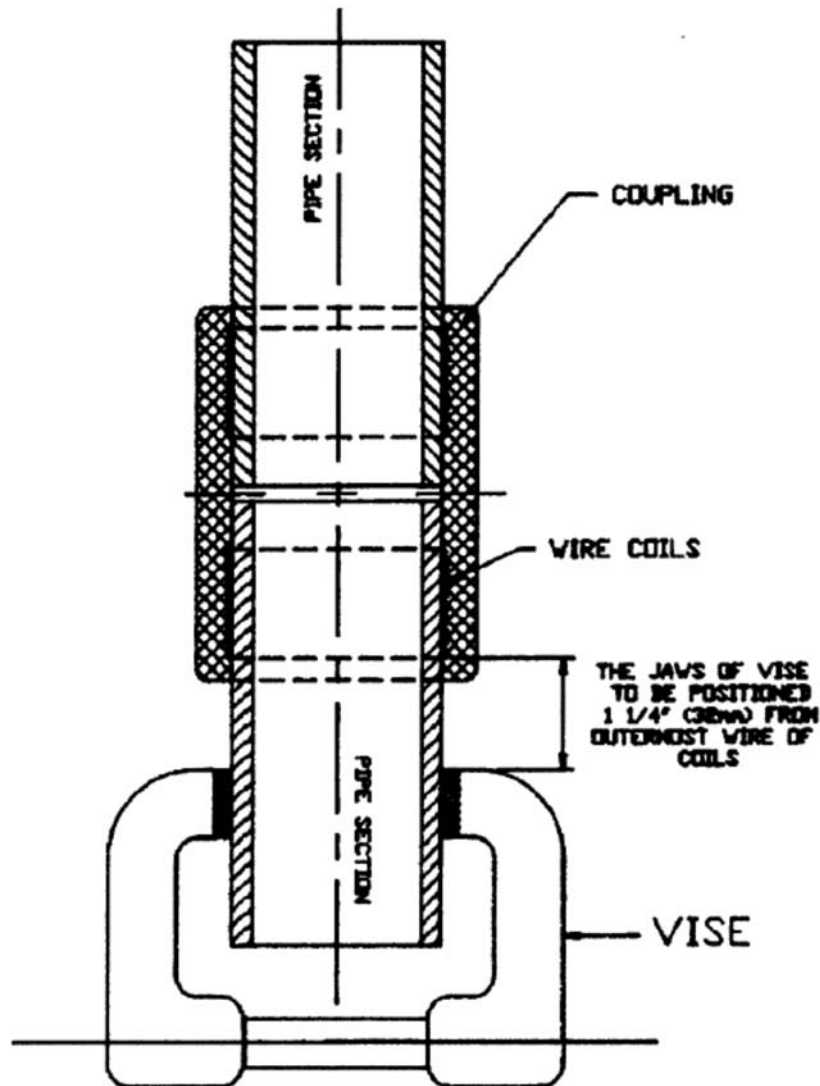


FIG. 2 Coupling Crush Test Arrangement

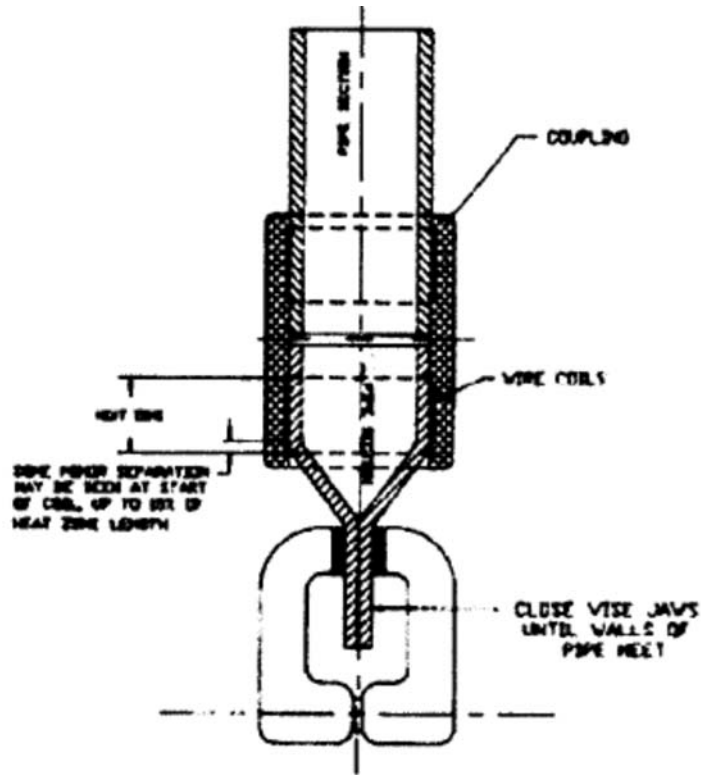


FIG. 3 Coupling Crush Test

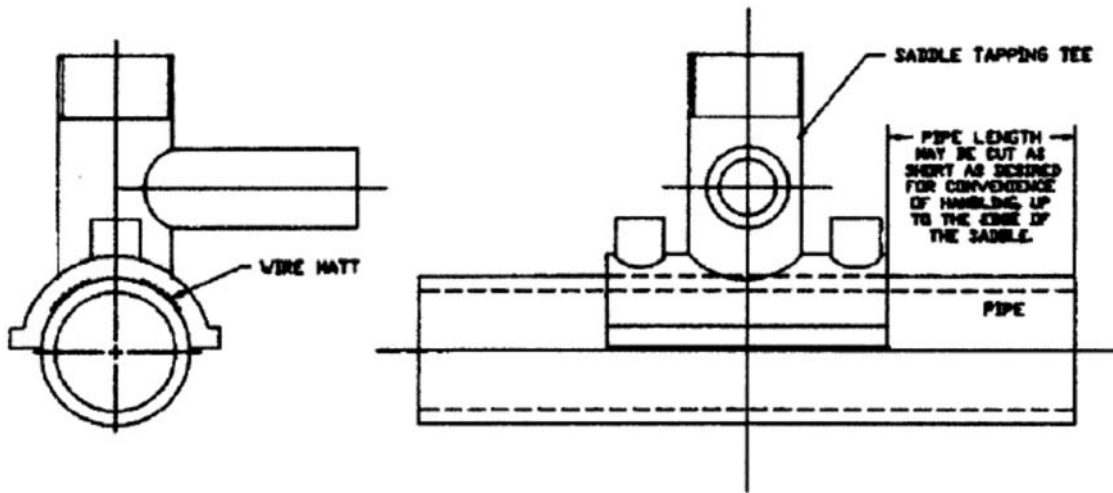


FIG. 4 Preparation of Saddle Specimen for Crush Test

this test. Saddle designs incorporating a full-wrap single piece saddle are to be tested as in 9.4 socket type joints (Fig. 2 and Fig. 3).

9.4.2.5 Separation of the fitting from the pipe at the fusion interface constitutes a failure of the test. Some minor separation at the outer limits of the fusion heat source up to 15 % of the fusion length may be seen. This does not constitute a failure. Ductile failure in the pipe, fitting, or the wire insulation material, is acceptable as long as the bond interface remains intact.

9.4.2.6 Failure of any one of the four specimens is cause for retest of four additional fittings, joined at the same temperature as the failed specimens. Failure of any of these four additional specimens shall constitute a failure of the test.

9.4.3 Fusion Evaluation Test (FET) of Sockets:

9.4.3.1 Select four fittings at random and prepare specimens in accordance with Section 8. From the four specimens, condition two specimens each in accordance with 8.1.1 and 8.1.2.

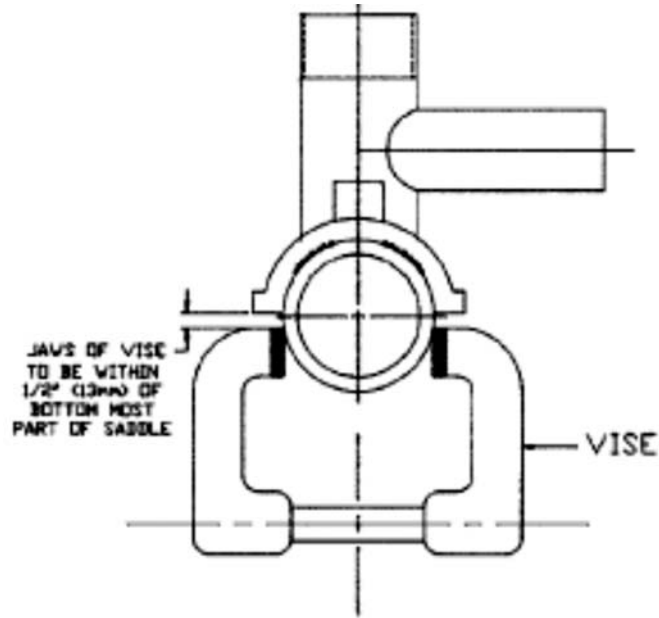


FIG. 5 Saddle Fitting Crush Test Before Crush

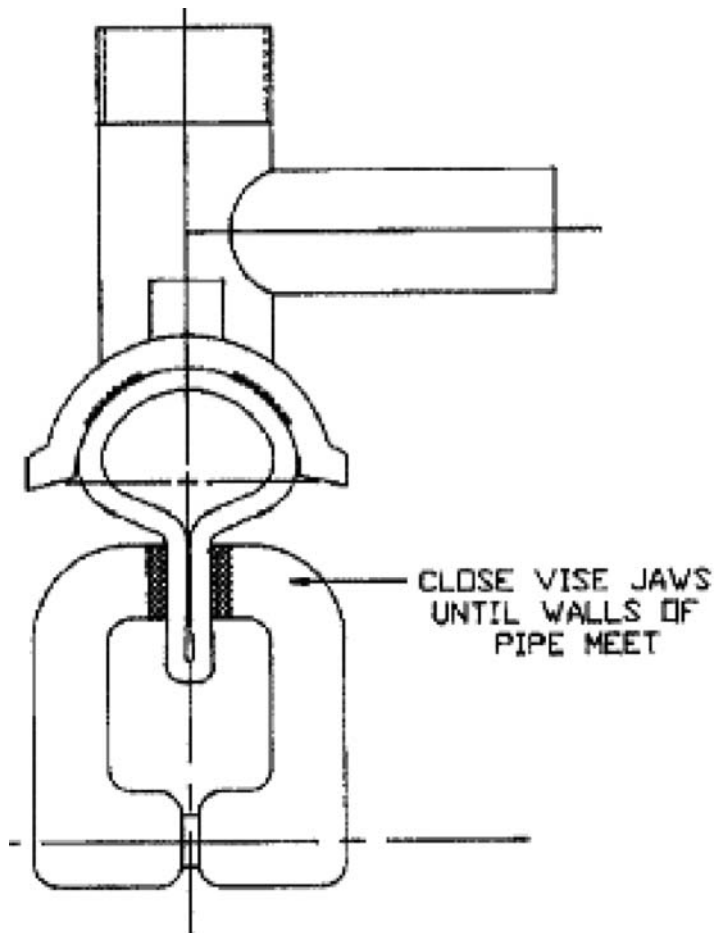


FIG. 6 Saddle Fitting Crush Test After Crush

9.4.3.2 A band saw with a locking guide and a blade restricted to cutting plastic is recommended for obtaining the

FET samples. Slit the socket in the order of cuts as illustrated in Fig. 7. First, radially cut the socket in half along the

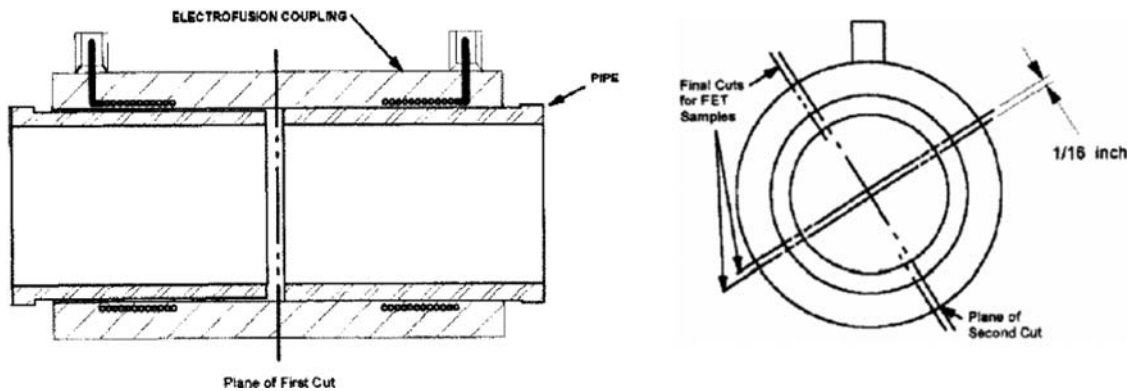


FIG. 7 Recommended Procedure for Cutting FET Strip From Coupling

centerline of the joint. Pipe extending from the fittings may be cut back to about 1 in. from the fitting edge. Cut FET specimens approximately 1/16 in. wide from each joint half. A minimum of four FET strips shall be cut from one half of the socket and spaced approximately 90° apart.

9.4.3.3 Grip an FET specimen in a vise or clamping device as shown in Fig. 8 so that the bond line between the pipe and fitting is at least 1/16 in. from the edges of the clamping device. Flex the specimen four times 90° in both directions. Pliers may be used in lieu of a vise as long as the entire length of the fusion is flexed.

9.4.3.4 Separation of the specimen along the bond line constitutes failure of the specimen. Some minor separation at the outer limits of the fusion heat source may be seen or there may be voids between wires. This does not constitute failure as long as the voids do not exceed the limits of 9.5. Ductile failure in the pipe, fitting, or the wire insulation material is acceptable as long as the bond interface remains intact.

9.4.3.5 Failure of any one of the four joints is cause for retest using four additional fittings joined at the same conditions as the failed joint specimens. Failure of any of these four additional joint specimens shall constitute a failure in the test.

9.4.4 *Fusion Evaluation Test of Saddle Type Joints (Not Full-Wrap Design):*

9.4.4.1 Select four fittings at random and prepare specimens in accordance with Section 8. From the four specimens, condition two specimens each in accordance with 8.1.1 and 8.1.2.

9.4.4.2 A band saw with a locking guide and a blade restricted to cutting plastic is recommended for obtaining the FET samples. Remove the stack from the fitting and cut the bottom portion of the pipe from the test piece. Cut the saddle in half in the transverse direction and then cut each half again in the longitudinal direction as shown in Fig. 9. Cut FET specimens approximately 1/16 in. wide through the fusion base of the saddle fitting. These cuts must be both longitudinal and transverse using two diagonal quarters for transverse direction and the two remaining quarters for the longitudinal direction.

9.4.4.3 Inspect the fusion area for any discontinuities. Follow the instructions in 9.4.3.3 to test the FET samples.

9.4.4.4 Separation of the specimen along the bond line constitutes failure of the specimen. Some minor separation at the outer limits of the fusion heat source may be seen or there may be voids between wires. This does not constitute failure as long as the voids do not exceed the limits of 9.5. Ductile failure in the pipe, fitting, or the wire insulation material is acceptable as long as the bond interface remains intact.

9.4.4.5 Failure of any one of the four joints is cause for retest using four additional fittings, joined at the same conditions as the failed joint specimens. Failure of any of these four additional joint specimens shall constitute a failure in the test.

9.5 Evaluation for Voids—When dissecting electrofusion joints for the integrity tests in 9.4, or any reason, voids at or near the fusion interface may be exposed. The voids, should they be present, are a phenomenon of the electrofusion process,

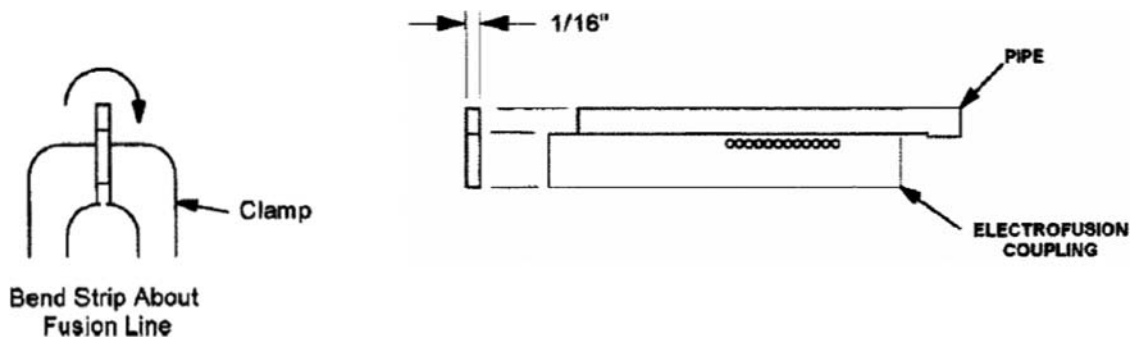


FIG. 8 Strip for FET Bend Test

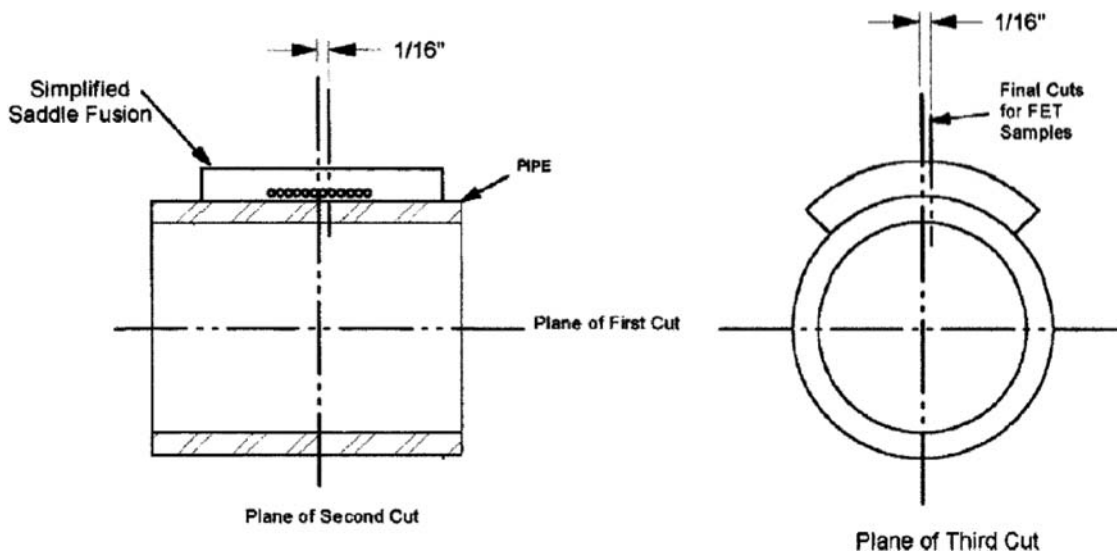


FIG. 9 Procedure for Cutting FET Strips from a Saddle

due to trapped air and shrinking during the cooling process after the joint is made. If detected, such voids are considered acceptable only if round or elliptical in shape, with no sharp corners allowed and if they meet the limitations of 9.5.1 – 9.5.3

9.5.1 Voids that do not exceed 10 % of the fusion zone length in size are acceptable. (See Fig. 10.)

9.5.2 Multiple voids, if present, are acceptable if the combined void sizes do not exceed 20 % of the fusion zone length. (See Fig. 10.)

9.5.3 If voids are exposed, additional longitudinal cuts should be made to ensure that the void does not follow a diametric path which connects to the pressure-containing area of the joint. (See Fig. 11.)

NOTE 4—Some voids in electrofusion fitting joints maybe due to the natural phenomenon described in 9.5. It is also possible the voids can be produced by not following proper fusion procedures. If voids are detected, one should ensure that all procedures were followed in making the joint.

10. Product Marking

10.1 Fittings shall be marked with the following:

- 10.1.1 Manufacturer’s name or trademark,
- 10.1.2 Material designation PA 12,

10.1.3 For fittings complying with Specification F2785 and intended for gas distribution, the word “gas” or if space does not permit, the letter “G,”

10.1.4 Size, followed by “IPS” or “CTS” designation,

10.1.5 This designation ASTM F2767,

10.1.6 The fittings shall bear an appropriate code number that will assure identification on the fittings as to date of production and resin formulas used in the production of said fittings. The manufacturer shall maintain such additional records as are necessary to confirm identification of all coded fittings, and

10.1.7 Where the size of the fitting does not allow complete marking, identification marking may be omitted in the following sequence: ASTM designation number, and material designation.

10.2 All required markings shall be legible and so applied as to remain legible under normal handling and installation practices. If indentation is used, it shall be demonstrated that these marks have no effect on the long term strength of the fitting.

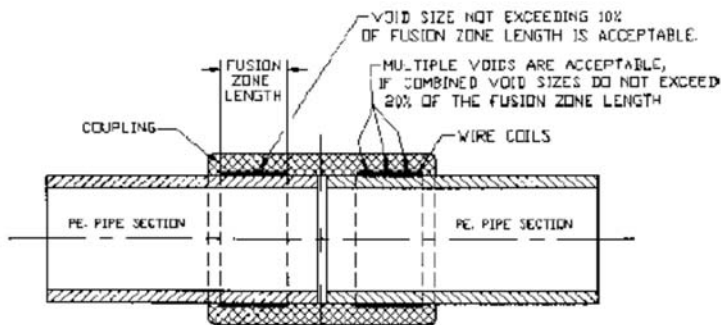


FIG. 10 Coupling Fusion Assembly With Possible Void Characteristics

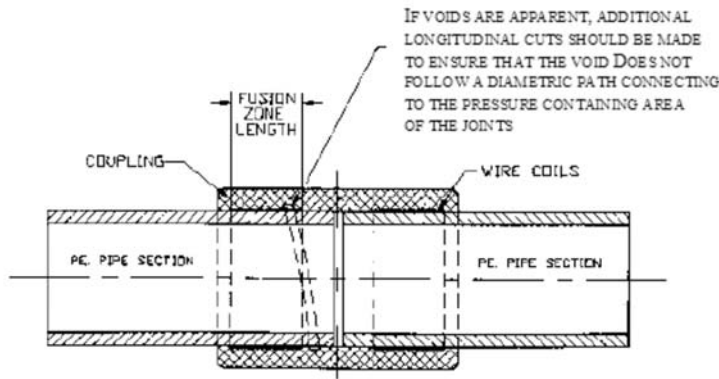


FIG. 11 Coupling Fusion Assembly—Further Examination Guidance

11. Quality Assurance

11.1 When the product is marked with this designation, F2767 the manufacturer affirms that the product was manufactured, inspected, sampled, and tested in accordance with this specification and has been found to meet the requirements of this specification.

12. Keywords

12.1 electrofusion; fittings; joining; PA-12 ; plastic fittings; plastic pipe; polyamide

ANNEX

(Mandatory Information)

A1. N-PLANT QUALITY CONTROL PROGRAM FOR ELECTROFUSION FITTINGS

A1.1 Introduction:

A1.1.1 Use the following in-plant quality control program, covering material and performance requirements in manufacture to provide reasonable assurance that the product meets the requirements of this specification and normally anticipated field performance requirements.

A1.2 Fittings Tests:

A1.2.1 Conduct the fittings tests at the frequencies indicated as follows:

NOTE A1.1—When any failure to meet the requirements of this specification occurs, make additional tests to ascertain those fittings that are acceptable, back to the last acceptable ones. Those that do not meet the requirements must be rejected.

A1.2.2 Dimensions of fusion area with heating element in place:

A1.2.2.1 *Socket Diameters*—Immediately preceding production start up, then once per h, or one out of ten fittings, whichever is less frequent.

A1.2.2.2 *Saddle Sizes*—Main sizes and branching outlet sizes, immediately preceding production start up, then once per h, or one out of ten fittings, whichever is less frequent.

A1.2.2.3 *Heating Element Resistance*—Immediately preceding production start up, then once per h, or one out of ten fittings, whichever is less frequent.

A1.2.3 *Molding or Extrusion Quality*—Make the following tests on each cavity in the mold or each extrusion line being used. Test at the start of each production run, whenever production conditions have changed or when the resin lot has changed, but not less than once per 500 fittings thereafter.

A1.2.3.1 *VOIDS in Part*—Inspect for voids in the fitting by means of X-ray or dissection of the fitting in 0.25-in. (6-mm) wide strips.

A1.2.3.2 *Molding Knit Line Strength*—Test by one of the following tests, or other suitable tests:

(1) By crushing a fitting or a portion of a fitting in a manner that applies load in a direction normal to the knit line.

(2) By performing an apparent tensile strength test of a ring cut from a fitting with the load oriented normal to the knit line.

(3) By performing a burst test of the fitting in accordance with Test Method **D1599**.

NOTE A1.2—Separation in the knit line of any of these tests constitutes a failure of the test.

SUMMARY OF CHANGES

Committee F17 has identified the location of selected changes to this standard since the last issue (F2767–09) that may impact the use of this standard.

- (1) References to D2513 have been deleted from 1.1, Section 2, 5.1, 6.1 and, 10.1.3. (2) References to F2785 have been added to 1.1, Section 2, 5.1, 6.1 and, 10.1.3.

ASTM International takes no position respecting the validity of any patent rights asserted in connection with any item mentioned in this standard. Users of this standard are expressly advised that determination of the validity of any such patent rights, and the risk of infringement of such rights, are entirely their own responsibility.

This standard is subject to revision at any time by the responsible technical committee and must be reviewed every five years and if not revised, either reapproved or withdrawn. Your comments are invited either for revision of this standard or for additional standards and should be addressed to ASTM International Headquarters. Your comments will receive careful consideration at a meeting of the responsible technical committee, which you may attend. If you feel that your comments have not received a fair hearing you should make your views known to the ASTM Committee on Standards, at the address shown below.

This standard is copyrighted by ASTM International, 100 Barr Harbor Drive, PO Box C700, West Conshohocken, PA 19428-2959, United States. Individual reprints (single or multiple copies) of this standard may be obtained by contacting ASTM at the above address or at 610-832-9585 (phone), 610-832-9555 (fax), or service@astm.org (e-mail); or through the ASTM website (www.astm.org). Permission rights to photocopy the standard may also be secured from the Copyright Clearance Center, 222 Rosewood Drive, Danvers, MA 01923, Tel: (978) 646-2600; <http://www.copyright.com/>