



Standard Specification for Heat-Shrink Cable Entry Seals (Metric)¹

This standard is issued under the fixed designation F1837M; the number immediately following the designation indicates the year of original adoption or, in the case of revision, the year of last revision. A number in parentheses indicates the year of last reapproval. A superscript epsilon (ϵ) indicates an editorial change since the last revision or reapproval.

^{ε1} NOTE—Reapproved with editorial changes in October 2012.

1. Scope

1.1 This specification covers the general requirements for heat-shrink cable entry seals. Cable entry seals are intended for making electrical cable penetrations into connection boxes, bulkheads, or other enclosures. These devices are suitable for both thin wall enclosures up to 5 mm ($\frac{3}{16}$ in.) thick and thick-wall enclosures of 5 mm to 19 mm ($\frac{3}{16}$ in. to $\frac{3}{4}$ in.) thick.

1.2 Cable entry seals shall have factory-applied adhesive that provides the seal to wire and cable jackets.

1.3 The values stated in SI units are to be regarded as the standard. The values given in parentheses are for information only.

1.4 *This standard does not purport to address all of the safety concerns, if any, associated with its use. It is the responsibility of the user of this standard to establish appropriate safety and health practices and determine the applicability of regulatory limitations prior to its use.*

2. Referenced Documents

2.1 ASTM Standards:²

- D149 Test Method for Dielectric Breakdown Voltage and Dielectric Strength of Solid Electrical Insulating Materials at Commercial Power Frequencies
- D257 Test Methods for DC Resistance or Conductance of Insulating Materials
- D412 Test Methods for Vulcanized Rubber and Thermoplastic Elastomers—Tension
- D570 Test Method for Water Absorption of Plastics
- D635 Test Method for Rate of Burning and/or Extent and Time of Burning of Plastics in a Horizontal Position
- D747 Test Method for Apparent Bending Modulus of Plas-

tics by Means of a Cantilever Beam

- D792 Test Methods for Density and Specific Gravity (Relative Density) of Plastics by Displacement
- D2240 Test Method for Rubber Property—Durometer Hardness
- D2671 Test Methods for Heat-Shrinkable Tubing for Electrical Use
- D2863 Test Method for Measuring the Minimum Oxygen Concentration to Support Candle-Like Combustion of Plastics (Oxygen Index)
- D3149 Specification for Crosslinked Polyolefin Heat-Shrinkable Tubing for Electrical Insulation
- D4572 Test Method for Rubber Chemicals—Wet Sieve Analysis of Sulfur
- D4732 Specification for Cool-Application Filling Compounds for Telecommunications Wire and Cable

2.2 ASME Standard

ASME B1.1 Unified Inch Screw Threads (UN and UNR Thread Form)³

2.3 NEMA Standards:⁴

NEMA 250 Enclosures for Electrical Equipment (1000 Volts Max)

2.4 IEC Standard:

IEC 68-2-6 Environmental Testing—Part 2: Tests—Test FC: Vibration (Sinusoidal) Sixth Edition⁵

3. Terminology

3.1 Definitions of Terms Specific to This Standard:

3.1.1 *heat-shrink cable entry seal, n*—heat-shrinkable tube making a watertight, fume-tight seal where cable connections boxes, bulkheads, or other enclosures.

3.1.2 *polyolefin, n*—a polymer made by the polymerization of hydrocarbon olefins or copolymerization olefins.

¹ This specification is under the jurisdiction of ASTM Committee F25 on Ships and Marine Technology and is the direct responsibility of Subcommittee F25.10 on Electrical.

Current edition approved Oct. 1, 2012. Published October 2012. Originally approved in 1997. Last previous edition approved in 2007 as F1837M - 97(2007). DOI: 10.1520/F1837M-97R12E01.

² For referenced ASTM standards, visit the ASTM website, www.astm.org, or contact ASTM Customer Service at service@astm.org. For *Annual Book of ASTM Standards* volume information, refer to the standard's Document Summary page on the ASTM website.

³ Available from American Society of Mechanical Engineers (ASME), ASME International Headquarters, Three Park Ave., New York, NY 10016-5990, <http://www.asme.org>.

⁴ Available from National Electrical Manufacturers Association (NEMA), 1300 N. 17th St., Suite 1752, Rosslyn, VA 22209, <http://www.nema.org>.

⁵ Available from International Electrotechnical Commission (IEC), 3, rue de Varembe, Case Postale 131, CH-1211, Geneva 20, Switzerland.

4. Classification

4.1 Heat-shrink cable entry seals shall be of the following types:

4.1.1 *Type I*, standard cable entry seals for thin-wall enclosures shall consist of the three part assembly; a rigid plastic nut, O-ring, and heat-shrinkable molded area.

4.1.1.1 *Type I-1*, molded area configured with one opening for a single wire or cable entry.

4.1.1.2 *Type I-2*, molded area configured with two equal size openings to seal two wires or cables.

4.1.1.3 *Type I-3*, molded area configured with three equal size openings to seal three wires or cables.

4.1.1.4 *Type I-4*, molded area configured with four equal size openings to seal four wires or cables.

4.1.1.5 *Type I-5*, molded area configured with six equal size openings to seal six wires or cables.

4.1.1.6 *Type I-6*, molded area configured with eight equal size openings to seal eight wires or cables.

4.1.2 *Type II*, cable entry seal for threaded hole applications shall consist of a one-part assembly that combines a tapered national pipe thread (NPT) in rigid plastic with heat-shrinkable molded area.

4.1.2.1 *Type II-1*, molded area configured with one opening for a single wire or cable entry.

4.1.2.2 *Type II-2*, molded area configured with two equal size openings to seal two wires or cables.

4.1.2.3 *Type II-3*, molded area configured with three equal size openings to seal three wires or cables.

4.1.2.4 *Type II-4*, molded area configured with four equal size openings to seal four wires or cables.

4.1.3 *Type III*, right angle cable entry seal for thin-wall enclosure shall consist of a three part assembly; a rigid plastic nut, O-ring, and heat-shrinkable molded area.

4.1.4 *Type IV*, right angle cable entry seal for threaded hole application shall consist of a one-part assembly that combines a tapered national pipe thread (NPT) in rigid plastic with a heat-shrinkable molded area.

5. Ordering Information

5.1 Orders for cable entry seals under this specification shall include the following:

5.1.1 Part Number (see Figs. 1-6).

5.1.2 Quantity (per each part).

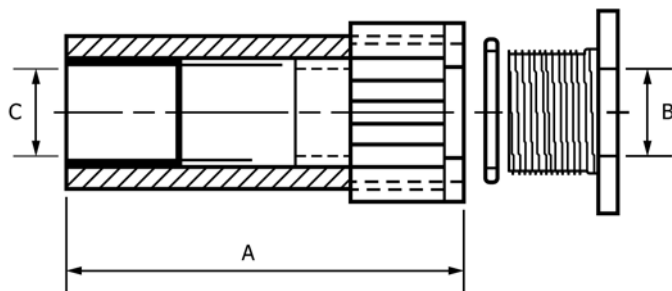


FIG. 1 Type I—Single-Legged Standard Cable Entry Seals

6. Materials and Manufacture

6.1 The rigid plastic parts shall be made from polyamide (nylon), or polyester material, or both. The material shall be Group 1, Class 8, Grade 1 as specified in Specification D4066.

6.1.1 Threads shall be unified form UN 2A or 2B or taper pipe thread (NPT) as specified in ASME B1. 1.

6.2 The heat-shrinkable tubing shall be of a crosslinked polyolefin in accordance with Type III of Specification D3149.

6.3 The adhesive shall be general purpose high-bond-strength adhesive sealant that provides stain relief and environmental sealing of heat-shrink tubing to cable jackets.

6.4 O-rings shall be made of a material conforming to Type II of Specification D4732.

6.5 The polyolefin heat-shrinkable tubing shall meet requirements of Test Methods D2671.

7. Other Requirements

7.1 *Dimensional Requirements*—Cable-entry seals shall conform to the dimensional requirements of Tables 1-6. Type I cable-entry seals are presented in Fig. 1 and Fig. 2. Type II cable-entry seals are presented in Fig. 3 and Fig. 4. Right-angle cable-entry seals (Types III and IV) are presented in Fig. 5 and Fig. 6.

7.2 *Performance Requirements*:

7.2.1 *Vibration Resistance*—When cable-entry seals are tested as specified in 9.1, there shall be no evidence of cracking or loosening of parts.

7.2.2 *Ruggedness*—When cable-entry seals are subjected to a mechanical abuse test as specified in 9.2, there shall be no cracking, breaking, distortion, or damage to the sample.

7.2.3 *Effectiveness of Seal*—When cable-entry seals are tested as specified in 9.3, there shall be no evidence of leakage through or around the cable entry seals.

8. Workmanship, Finish, and Appearance

8.1 Cable-entry seals shall be free from warp, cracks, chipped edges, or surfaces, blisters, uneven surfaces, scratches, dents, and flow lines. They shall be free from fins, burrs, and unsightly finish caused by chipping, filing, or grinding without subsequent buffing or polishing. All molded parts shall be cleaned thoroughly of annealing mediums.

9. Test Methods

9.1 Conformance testing of a random sample may be requested by the purchaser in order to verify that selected performance characteristics specified herein have been incorporated in the cable-entry seal design and maintained in production.

9.1.1 *Vibration*—The cable-entry seals shall be subjected to vibration testing as specified in IEC Standard 68-2-6. The following details shall apply:

9.1.1.1 The cable-entry seals shall be complete with O-rings and 1 to 2-m (3 to 6 ft) lengths of cable of appropriate size.

9.1.1.2 The free end of the cables shall be secured to prevent excessive cable whipping action during test.

9.1.1.3 Tests are to be carried out in three perpendicular planes.

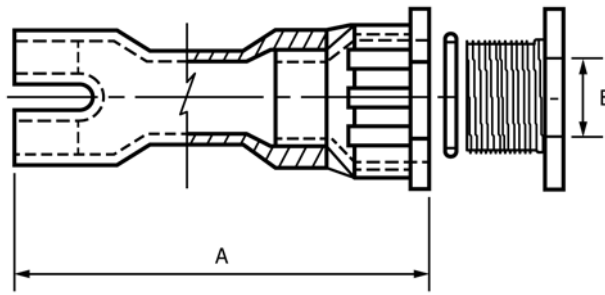


FIG. 2 Type I—Multi-Legged Standard Cable Entry Seals

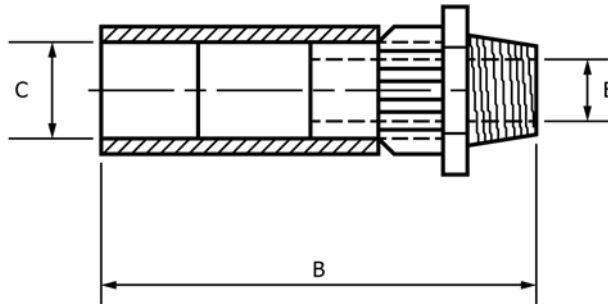


FIG. 3 Type II—Single-Legged Threaded Cable Entry Seals

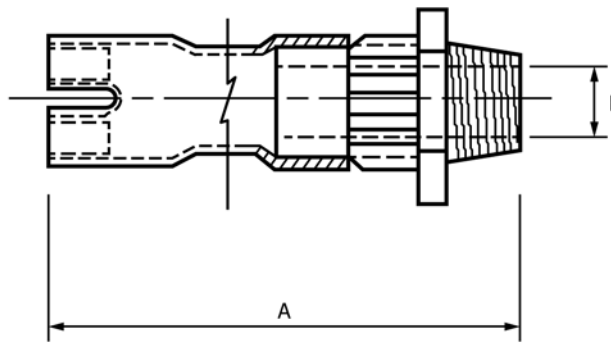


FIG. 4 Type II—Multi-Legged Threaded Cable Entry Seals

9.1.1.4 Duration of the test for no resonance condition shall be 90 min at 30 Hz. Duration at each resonance frequency at which $Q > 2$ is recorded. It is recommended as guidance that Q does not exceed 5.

9.1.1.5 Test range shall be 2 ± 0.3 Hz to 13.2 Hz—amplitude ± 1 mm; 13.2 Hz to 100 Hz—acceleration ± 7 g.

9.1.1.6 Nonconformance to the requirements of 7.2.1 shall be cause for rejection.

9.2 Mechanical Abuse Test:

9.2.1 A mechanical abuse test shall be conducted on the sample cable-entry seal assembled on the end of a 2-m (6-ft) length of electrical cable of appropriate size.

9.2.2 The cable-entry seal shall be allowed to swing on a radius, while suspended by the electrical cable, from a vertical surface and strike against a vertical flat steel plate on that surface. The vertical distance through which the cable entry seal is allowed to fall shall be 1.5 m (5 ft), and the number of impacts shall be ten.

9.2.3 The cable-entry seal shall be disassembled and examined. Nonconformance to the requirements of 7.2.2 shall be cause for rejection.

9.3 Level of Effectiveness—A complete cable-entry seal with O-ring installed and assembled properly and shrunk to a cable or with a plug installed shall conform to the performance requirements of NEMA 250. The NEMA enclosure type designation (4, 4X, 6, 6P) shall establish the appropriate environmental capability required of the installed cable-entry seal.

9.3.1 Nonconformance to the requirements of 7.2.3 shall be cause for rejection.

10. Inspection.

10.1 Visual and Dimensional Examination —Samples shall be examined visually to verify that the materials, design, construction, physical dimensions, marking, and workmanship are as specified in the applicable requirements.

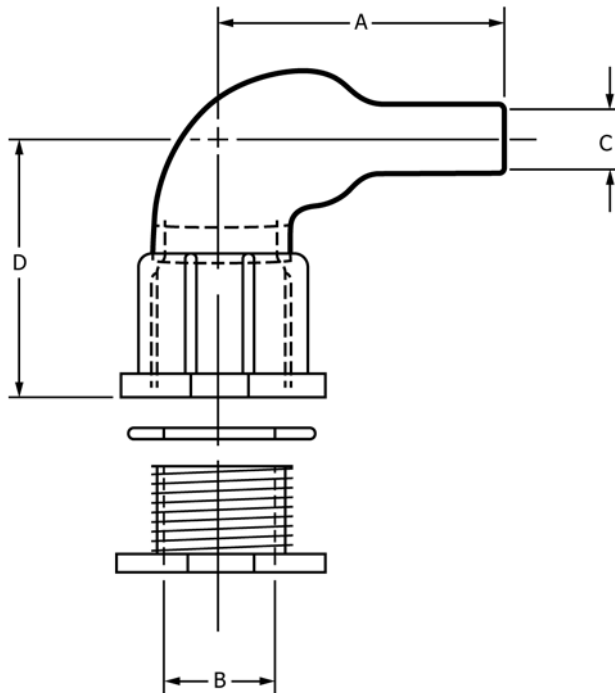


FIG. 5 Type III-Right-Angle Cable Entry Seals

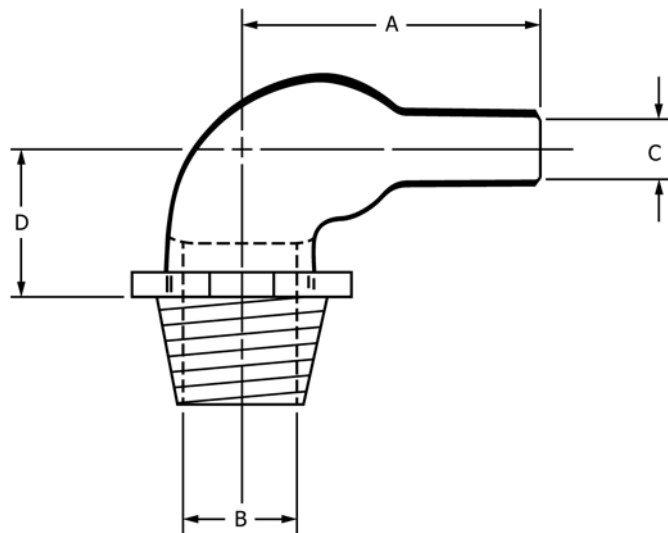


FIG. 6 Type IV-Right-Angle Cable Entry Seals

11. Certification

11.1 *Material Certification*—Material certification shall be required from the manufacturers of the plastic material and shirk-tubing to ensure the materials were manufactured, sampled, tested, and inspected in accordance with Specifications D4066 and D3149. Material identity traceable to this certification shall be maintained throughout the manufacturing process.

11.2 When specified in the purchase order or contract, the purchaser shall be furnished certification that samples repre-

senting each lot have been either tested or inspected as directed in this specification and the requirements have been met. When specified in the purchase order or contract, a report of the test results shall be furnished.

12. Product Marking

12.1 Each cable-entry seal shall be identified distinctly. The name of the manufacturer, part number, identification of this ASTM standard, and other appropriate information shall be shown thereon.

TABLE 1 Type 1—Single Legged Standard Cable Entry Seals^A

C		B	A		
Tubing					
Expanded I.D. (min)	Recovered I.D. (max)	I.D. (min)	Overall Nominal Recovered Length	Recommended Hole Diameter	Part No. ^B
13.0 (0.50)	3.0 (0.12)	19.0 (0.75)	89.0 (3.50)	25.5 (1.00)	CES S 1-1
19.0 (0.75)	6.5 (0.25)	19.0 (0.75)	89.0 (3.50)	25.5 (1.00)	CES S 1-2
19.0 (0.75)	6.5 (0.25)	19.0 (0.75)	32.0 (1.25)	25.5 (1.00)	CES S 1-3
28.5 (1.20)	13.0 (0.50)	28.0 (1.10)	95.0 (3.75)	35.0 (1.38)	CES S 1-4
35.0 (1.38)	13.0 (0.50)	28.0 (1.10)	95.0 (3.75)	44.5 (1.75)	CES S 1-5
40.0 (1.70)	19.0 (0.75)	40.0 (1.60)	120.0 (4.75)	51.0 (2.00)	CES S 1-6
70.0 (2.75)	19.0 (0.75)	53.0 (2.10)	102.0 (4.00)	60.0 (2.36)	CES S 1-7
70.0 (2.75)	36.0 (1.43)	74.0 (2.90)	178.0 (7.00)	89.0 (3.50)	CES S 1-8

^A Dimensions shown are nominal and in millimeters (in).

^B Part numbers were established in the following way:

CES—cable entry seal,

S or T—standard or threaded, and

1-1—number preceding hyphen represents number legs; number following hyphen represents size type.

TABLE 2 Type 1—Multi-Legged Standard Cable Entry Seals^A

No. of Legs	Multi-Leg Boot		B	A		
	Expanded I.D. Min. (Each Leg)	Recovered I.D. Max. (Each Leg)	I.D. (min)	Overall Nominal Recovered Length	Recommended Hole Diameter	Part No. ^B
	2	10.0 (0.40)	3.0 (0.11)	19.0 (0.75)	89.0 (3.50)	25.5 (1.00)
2	15.0 (0.60)	4.5 (0.17)	28.0 (1.10)	95.0 (3.75)	35.0 (1.38)	CES S 2-2
2	23.0 (0.90)	7.5 (0.30)	40.0 (1.60)	120.0 (4.75)	51.0 (2.00)	CES S 2-3
3	10.0 (0.40)	3.0 (0.11)	19.0 (0.75)	89.0 (3.50)	25.5 (1.00)	CES S 3-1
3	15.0 (0.60)	4.5 (0.17)	28.0 (1.10)	95.0 (3.75)	35.01 (1.38)	CES S 3-2
3	23.0 (0.90)	7.5 (0.30)	40.0 (1.60)	120.0 (4.75)	51.0 (2.00)	CES S 3-3
3	32.0 (1.25)	13.0 (0.50)	74.0 (2.90)	178.0 (7.00)	89.0 (3.50)	CES S 3-4
4	10.0 (0.40)	3.0 (0.11)	19.0 (0.75)	89.0 (3.50)	25.5 (1.00)	CES S 4-1
4	15.0 (0.60)	4.5 (0.17)	28.0 (1.10)	95.0 (3.75)	35.0 (1.38)	CES S 4-2
4	23.0 (0.90)	7.5 (0.30)	40.0 (1.60)	120.0 (4.75)	51.0 (2.00)	CES S 4-3
4	32.0 (1.25)	13.0 (0.50)	74.0 (2.90)	178.0 (7.00)	89.0 (3.50)	CES S 4-4
6	23.0 (0.90)	7.5 (0.30)	74.0 (2.90)	178.0 (7.00)	89.0 (3.50)	CES S 6-1
8	23.0 (0.90)	7.5 (0.30)	74.0 (2.90)	178.0 (7.00)	89.0 (3.50)	CES S 8-1

^A Dimensions shown are nominal and in millimeters (inches).

^B Part numbers were established in the following way:

CES—cable entry seal,

S or T—standard or threaded, and

1-1—number preceding hyphen represents number of legs; number following hyphen represents size type.

13. Packaging Requirements

13.1 The seals shall be supplied by type as specified in **Figs. 1-6**.

13.2 The seals shall be packaged in conformance with good commercial practice unless otherwise specified. Individual types and sizes shall be neatly bundled or boxed. The exterior shipping container shall be acceptable by parcel post or common carrier.

13.3 Each bundle or container of seals shall be identified distinctly by a tag or label. The name of the manufacturer, the part number of the seals, the quantity, and other appropriate information shall be shown thereon.

14. Quality Assurance

14.1 *Responsibility for Inspection*—Unless otherwise specified in the contract or purchase order, the manufacturer is

responsible for the performance of all inspection requirements as specified herein. Except as otherwise specified in the contract or purchase order, the manufacturer may use his own or any other facilities suitable for the performance of the inspection requirements specified.

14.2 *Responsibility for Compliance*—All items must meet all requirements of Section 7. The inspection set forth in this specification shall become a part of the manufacturer's overall inspection system or quality program. The absence of any inspection requirements in this specification shall not relieve the manufacturer of the responsibility of assuring that all products or supplied submitted to the customer for acceptance comply with all the requirements of the contract. Sampling in quality conformance does not authorize submission of known defective material either indicated or actual, nor does it commit the customer to acceptance of defective material.

TABLE 3 Type II—Single-Legged Threaded Cable Entry Seals^A

C		B	A		
Tubing					
Expanded I.D. (Min.)	Recovered I.D. (Max.)	I.D. (min.)	Overall Nominal Recovered Length	NPT Pipe Size	Part No. ^B
9.5 (0.37)	3.0 (0.12)	6.5 (0.25)	87.0 (3.40)	6.5 (0.25)	CST T 1-1
14.5 (0.57)	5.0 (0.19)	14.0 (0.55)	87.0 (3.40)	13.0 (0.50)	CES T 1-2
19.0 (0.75)	6.5 (0.25)	14.0 (0.55)	87.0 (3.40)	13.0 (0.50)	CES T 1-3
19.0 (0.75)	6.5 (0.25)	19.0 (0.75)	87.0 (3.40)	19.0 (0.75)	CES T 1-4
19.0 (0.75)	6.5 (0.25)	19.0 (0.75)	89.0 (3.50)	25.5 (1.00)	CES T 1-5
32.0 (1.25)	13.0 (0.50)	25.5 (1.00)	112.0 (4.40)	25.5 (1.00)	CES T 1-6
32.0 (1.25)	13.0 (0.50)	28.0 (1.10)	119.0 (4.70)	38.0 (1.50)	CES T 1-7
51.0 (2.00)	19.0 (0.75)	36.0 (1.40)	127.0 (5.00)	38.0 (1.50)	CES T 1-8
70.0 (2.75)	25.5 (1.00)	61.0 (2.40)	152.0 (6.00)	63.5 (2.50)	CES T 1-9

^A Dimensions shown are nominal and in the millimeters (inches).

^B Part numbers were established in the following way:

CES—cable entry seal,

S or T—standard or threaded, and

1-1—number preceding hyphen represents number of legs; number following hyphen represents size type.

TABLE 4 Type II—Multi-Legged Threaded Cable Entry Seals^A

No. of Legs	Multi-Leg Boot		B	A		Part No. ^B
	Expanded I.D. Min.	Recovered I.D. Max.	I.D. (Min.)	Overall Nominal Recovered Length	NPT Pipe Size	
	(Each Leg)	(Each Leg)				
2	10.0 (0.40)	3.0 (0.11)	14.0 (0.55)	87.0 (3.40)	13.0 (0.50)	CES T 2-1
2	10.0 (0.40)	3.0 (0.11)	19.0 (0.75)	87.0 (3.40)	19.0 (0.75)	CES T 2-2
2	15.0 (0.60)	4.5 (0.18)	28.0 (1.10)	112.0 (4.40)	25.5 (1.00)	CES T 2-3
2	15.0 (0.60)	4.5 (0.18)	28.0 (1.10)	119.0 (4.70)	38.0 (1.50)	CES T 2-4
2	23.0 (0.90)	7.5 (0.30)	37.0 (1.47)	119.0 (4.70)	38.0 (1.50)	CES T 2-5
3	10.0 (0.40)	3.0 (0.11)	14.0 (0.55)	95.0 (3.75)	13.0 (0.50)	CES T 3-1
3	10.0 (0.40)	3.0 (0.11)	19.0 (0.75)	94.0 (3.70)	19.0 (0.75)	CES T 3-2
3	10.0 (0.40)	3.0 (0.11)	19.0 (0.75)	95.0 (3.75)	25.5 (1.00)	CES T 3-3
3	15.0 (0.60)	4.5 (0.18)	28.0 (1.10)	112.0 (4.40)	25.5 (1.00)	CES T 3-4
3	15.0 (0.60)	4.5 (0.18)	28.0 (1.10)	119.0 (4.70)	38.0 (1.50)	CES T 3-5
3	23.0 (0.90)	7.5 (0.30)	37.0 (1.47)	127.0 (5.00)	38.0 (1.50)	CES T 3-6
3	32.0 (1.25)	13.0 (0.50)	61.0 (2.40)	152.0 (6.00)	63.5 (2.50)	CES T 3-7
4	10.0 (0.40)	3.0 (0.11)	14.0 (0.55)	87.0 (3.40)	13.0 (0.50)	CES T 4-1
4	10.0 (0.40)	3.0 (0.11)	19.0 (0.75)	87.0 (3.40)	19.0 (0.75)	CES T 4-2
4	15.0 (0.60)	4.5 (0.18)	28.0 (1.10)	112.0 (4.40)	25.5 (1.00)	CES T 4-3
4	15.0 (0.60)	4.5 (0.18)	28.0 (1.10)	119.0 (4.70)	38.0 (1.50)	CES T 4-4
4	23.0 (0.90)	7.5 (0.30)	37.0 (1.47)	127.0 (5.00)	38.0 (1.50)	CES T 4-5
4	32.0 (1.25)	13.0 (0.50)	61.0 (2.40)	152.0 (6.00)	63.5 (2.50)	CES T 4-6

^A Dimensions shown are nominal and in millimeters (inches).

^B Part numbers were established in the following way:

CES—cable entry seal and

S or T—standard or threaded.

15. Keywords

15.1 cable-entry seal; cable penetrator; cable termination; cross-linked polyolefin heat-shrinkable tubing; electrical insulation; heat-shrinkable tubing

TABLE 5 Type III—Right Angle Cable Entry Seals^A

C		B	A	D		
Tubing						
Expanded I.D. (min.)	Recovered I.D. (max.)	I.D. (min.)	Overall Nominal Recovered Length		Recommended Hole Diameter	Part No. ^B
14.0 (0.55)	7.0 (0.28)	14.0 (0.55)	36.0 (1.40)	43.0 (1.68)	25.5 (1.00)	CES SR-1
19.0 (0.75)	8.5 (0.33)	19.0 (0.75)	43.0 (1.70)	45.0 (1.77)	25.5 (1.00)	CES SR-2
28.0 (1.10)	16.0 (0.62)	28.0 (1.10)	79.0 (3.10)	58.0 (2.30)	35.0 (1.37)	CES SR-3
40.0 (1.60)	16.0 (0.62)	40.0 (1.60)	79.0 (3.10)	71.0 (2.80)	51.0 (2.00)	CES SR-4

^A Dimensions shown are nominal and in millimeters (inches).

^B Part numbers were established in the following way:

- CES—cable entry seal,
- S or T—standard or threaded, and
- R-1—Right angle; number following hyphen represents size type.

TABLE 6 Type IV—Right Angle Cable Entry Seals^A

C		B	A	D		
Tubing						
Expanded I.D. (min.)	Recovered I.D. (max.)	I.D. (min.)	Overall Nominal Recovered Length		NPT Pipe Size	Part No. ^B
14.0 (0.55)	7.0 (0.28)	14.0 (0.55)	36.0 (1.40)	25.5 (1.00)	13.0 (0.50)	CES TR-1
19.0 (0.75)	8.5 (0.33)	19.0 (0.75)	43.0 (1.70)	28.0 (1.10)	19.0 (0.75)	CES TR-2
25.5 (1.00)	10.0 (0.38)	25.5 (1.00)	79.0 (3.10)	34.0 (1.33)	25.5 (1.00)	CES TR-3
28.0 (1.10)	16.0 (0.62)	28.0 (1.10)	79.0 (3.10)	40.0 (1.56)	38.0 (1.50)	CES TR-4

^A Dimensions shown are nominal and in millimeters (inches).

^B Part numbers were established in the following way:

- CES—cable entry seal,
- S or T—standard or threaded, and
- R-1—Right angle; number following hyphen represents size type.

SUPPLEMENTARY REQUIREMENTS

The following supplementary requirements are applicable to DoD procurements and shall apply only when specified by the purchaser in the contract or purchase order.

S1. Referenced Documents

S.1.1 Military Specification:

MIL-S-901 Shock Tests, H.I. (High-Impact), Shipboard Machinery, Equipment, and Systems⁶

S2. Shock Tests

S2.1 Cable-entry seals shall be subjected to the high-impact shock test for Grade A, Type A, Class I equipment as specified in MIL-S-901. The details specified in 9.1.1 and 9.1.2 shall apply. Nonconformance to the requirements of S2.2 shall be cause for rejection.

S2.2 *Examination After Shock Tests—When cable-entry seals are tested as specified in S.2.1, there shall be no evidence of cracking, breaking, distortion, or loosening of parts.*

S3. Performance Requirements

S3.1 **Table S3.1** establishes the physical, thermal, and chemical properties for heat-shrink tubing used in the cable-entry seal.

TABLE S3.1 Performance Requirements For Heat Shrink Tubing

Property Units	Test Methods	Value
Physical		
Ultimate tensile, psi, min	D412	1700
Ultimate elongation, %, min	D412	350
Hardness-shore "D"	D2240	52
Water absorption, %, max	D570	0.1
Specific gravity	D792, Method 6.1	1.36
Stiffness in flexure, psi	D747	18 500
Electrical		
Dielectric strength, 75 mils (v/mil)	D149	400 min
Volume resistivity, ohm-cm, min	D257	10 ¹⁵
Thermal Properties		
Heat aging	MIL-I-81765	5 days 168 h at 175°C
Tensile strength, psi, min	D412	1200
Elongation, %, min	D412	200
Heat shock	MIL-I-81765	4 hr at 225°C
Low temperature	MIL-I-23053D	-55°C
Flammability		
Non-burning	D635	yes
Oxygen-index	D2863	28

⁶ Available from the Standardization Document Order Desk, 700 Robbins Ave., Bldg. 4D, Philadelphia, PA 19111-5098.

S4. Level of Effectiveness (See 9.3)

S4.1 *Submersible and Open Submersible*—Equipment shall be submerged tested to a depth of 4.5 m (15 ft) at 44.8 KPa (6.5 psi) for 24 h. Nonconformance to the requirements of 7.1.3 shall be cause for rejection.

S4.2 *Examination After Immersion*—Failure for cable-entry seals to operate satisfactorily shall be cause for rejection. For enclosures including terminal boxes, as revealed by subsequent

disassembly and examination leakage of water into any part of the enclosure, shall be cause for rejection.

S5. Packaging

S5.1 *Preservation, Packing, and Marking*—Preservation and packing may be commercial. Marking information shall include cure date, shelf life, and expiration dates of rubber products.

ASTM International takes no position respecting the validity of any patent rights asserted in connection with any item mentioned in this standard. Users of this standard are expressly advised that determination of the validity of any such patent rights, and the risk of infringement of such rights, are entirely their own responsibility.

This standard is subject to revision at any time by the responsible technical committee and must be reviewed every five years and if not revised, either reapproved or withdrawn. Your comments are invited either for revision of this standard or for additional standards and should be addressed to ASTM International Headquarters. Your comments will receive careful consideration at a meeting of the responsible technical committee, which you may attend. If you feel that your comments have not received a fair hearing you should make your views known to the ASTM Committee on Standards, at the address shown below.

This standard is copyrighted by ASTM International, 100 Barr Harbor Drive, PO Box C700, West Conshohocken, PA 19428-2959, United States. Individual reprints (single or multiple copies) of this standard may be obtained by contacting ASTM at the above address or at 610-832-9585 (phone), 610-832-9555 (fax), or service@astm.org (e-mail); or through the ASTM website (www.astm.org). Permission rights to photocopy the standard may also be secured from the Copyright Clearance Center, 222 Rosewood Drive, Danvers, MA 01923, Tel: (978) 646-2600; <http://www.copyright.com/>