



Standard Test Method for Pass Through Flux of Circular Magnetic Sputtering Targets¹

This standard is issued under the fixed designation F1761; the number immediately following the designation indicates the year of original adoption or, in the case of revision, the year of last revision. A number in parentheses indicates the year of last reapproval. A superscript epsilon (ϵ) indicates an editorial change since the last revision or reapproval.

1. Scope

1.1 This test method covers measuring the dc magnetic field transmitted through a ferromagnetic sputtering target (“pass through flux” or “PTF”). In this test method the source magnetic field is in the test target’s circumferential direction.

1.2 Planar disk-shaped targets in the diameter range 5 to 8 in. inclusive (125 to 205 mm inclusive) and of thickness 0.1 to 0.5 in. inclusive (2.5 to 13 mm) may be characterized by this procedure.

1.3 This test method is also applicable to targets having an open center, for example, to targets 5-in. outside diameter by 2.5-in. inside diameter by 0.25-in. thick (127-mm outside diameter by 63.5-mm inside diameter by 6.35-mm thick).

1.4 Targets of various diameters and thicknesses are accommodated by suitable fixturing to align the piece under test with the source magnet mounted in the test fixture. Tooling, covering several popular target designs is specified in this procedure. Additional target configurations may be tested by providing special tooling. When special fixturing is used all parties concerned with the testing must agree to the test setup.

1.5 The values stated in inch-pound units are to be regarded as standard. The values given in parentheses are mathematical conversions to SI units that are provided for information only and are not considered standard.

1.6 *This standard does not purport to address all of the safety concerns, if any, associated with its use. It is the responsibility of the user of this standard to establish appropriate safety and health practices and determine the applicability of regulatory limitations prior to use.*

2. Terminology

2.1 Definitions:

2.1.1 *pass through flux (PTF), (n)*—For purposes of this standard the “pass through flux” is the dc magnetic field transmitted through a ferromagnetic sputtering target, from one face to the opposite face.

¹ This test method is under the jurisdiction of ASTM Committee F01 on Electronics and is the direct responsibility of Subcommittee F01.17 on Sputter Metallization.

Current edition approved June 1, 2011. Published June 2011. Originally approved in 1996. Last previous edition approved in 2005 as F1761 – 00 (05). DOI: 10.1520/F1761-00R11.

2.1.1.1 *Discussion*—PTF is also frequently called “leakage flux.”

2.1.2 *reference field, n*—For purposes of this standard the “reference field” is the dc magnetic field measured with the Hall probe Gaussmeter when no sputtering target is in position on the test stand. The strength of the reference field depends upon the height and position of the Hall probe relative to the source magnet.

2.1.3 *source field, n*—For purposes of this standard the “source field” is the dc magnetic field measured with the Hall probe at the top surface of the target support table.

3. Summary of Test Method

3.1 The sputtering target under test is mounted on a test fixture in which a permanent horseshoe-shaped magnet is held in proximity to one of the flat planar faces of the target. A Hall probe Gaussmeter is used to measure the dc magnetic field penetrating the target and entering the air space from target’s opposite face.

4. Significance and Use

4.1 It is standard practice to use magnetron cathode sputter deposition sources in manufacturing thin film magnetic data storage media. But a ferromagnetic sputtering target tends to shunt a sputtering cathode’s magnetic field, thus reducing the efficiency of the sputtering process.

4.2 Makers of sputtering targets have developed various means of controlling alloy microstructure to minimize the undesirable cathode shunting effect. Because of their differing manufacturing methods, however, the targets of one supplier may have magnetic properties significantly better or worse than those of another, even when the alloy compositions are the same.

4.3 This test method permits comparing the magnetic shunting power of magnetic targets under a standard test condition. The results are useful to sputtering target suppliers and buyers in predicting target performance, in specifying target quality, and in qualifying incoming target shipments. This test may also be useful in quantifying target improvement efforts.

4.4 Manufacturing process steps that lower a target material’s magnetic permeability tend to increase the PTF, and vice versa. It would in principle be possible to predict the PTF by

accumulating sufficient permeability data, and knowing the target thickness and the field intensity of the magnetic assembly used for magnetron sputtering.

5. Interferences

5.1 The magnetic test fixture must be located in an area free of extraneous ferromagnetic materials and strong magnetic fields that would interfere with the source magnet—test specimen dc magnetic-field configuration.

5.2 The “magnetic conditioning” effect is strong in some sputtering target alloys. It is important to verify that the target under test is magnetically stabilized before finalizing a data set (see 9.2).

6. Apparatus

6.1 This method requires the use of a special test fixture. Its construction is specified in [Appendix X1](#).

6.2 *Gaussmeter*,² is required, equipped with a portable transverse-field Hall probe blade nominally 0.040-in. thick by 0.170-in. wide by 2.5-in. long (1.0-mm by 4.3-mm by 64 mm). The Gaussmeter must be capable of measuring dc magnetic fields in the range 10 Gauss to 3500 Gauss, inclusive, to an accuracy of $\pm 2\%$. This unit is designated the “measuring Gaussmeter,” and is used for making the magnetic field measurements specified in this test method.

6.2.1 It is important that the semiconductor Hall probe sensing element be mounted at the extreme tip end of the probe. The distance from the probe tip to the center of the sensing element must not exceed 0.030 in. (0.75 mm).

6.3 It is convenient to have a second Gaussmeter available, also equipped with a portable transverse-field Hall probe blade. This unit must be capable of measuring dc magnetic fields in the range 1 Gauss to 50 Gauss, inclusive, to an accuracy of $\pm 20\%$. This unit is referred to in 8.1 as the “screening Gaussmeter.” It is used to monitor residual magnetic fields in test specimen sputtering targets.

NOTE 1—If a “screening Gaussmeter” is not available, the targets under test must be degaussed and verified (8.3) using the measuring Gaussmeter, before starting Section 7.

6.4 *Demagnetizer*², is needed that is capable of removing the remnant magnetization in sputtering targets to be tested.

7. Preparation of Apparatus

7.1 Verify that the source magnet is securely clamped with its vertical center plane located 5.750 ± 0.015 in. (146.1 ± 0.4 mm) from the end of the baseplate. This is illustrated in [Fig. 1](#).

7.2 Verify that the pole faces of the source magnet are in light contact with the bottom of the target support table. Adjustment of the magnet’s vertical position can be made by loosening the magnet clamp screws, inserting nonmagnetic

² The sole source of supply of the demagnetizer, 60-Hz hand held coil known to the committee at this time is Realistic High Power Video/Audio Tape Eraser, catalog number 44-233A from Radio Shack. If you are aware of alternative suppliers, please provide this information to ASTM Headquarters. Your comments will receive careful consideration at a meeting of the responsible technical committee,¹ which you may attend.

shims under the magnet, and retightening the clamp screws. Recheck magnet location, in accordance with 7.1, if shims are adjusted.

7.3 Activate, zero, and calibrate the measuring Gaussmeter (6.2) using the manufacturer’s instructions.

7.4 Mount the Gaussmeter probe in the fixture’s Hall probe support tube. The bottom tip of the probe should extend 0.050 ± 0.025 in. (1.25 ± 0.64 mm) beyond the support tube. Mounted properly, the probe tip will be clearly visible, sticking out of its support. Gently tighten the nylon clamping screws to secure and center the Hall probe blade in position in the probe support tube. Excessive tightening may result in damage to the probe that can affect test results.

7.5 By visual sighting, align the Hall probe as indicated in [Fig. 1](#), but with the probe tip close to but not touching the target support table. The Hall probe should be roughly centered between the magnet poles, and the flats of the probe blade should be parallel to the fixture’s long dimension. Note that the outer vertical edge of the probe blade is aligned with the side of the magnet, illustrated in [Fig. 1](#). Loosen the post attachment screw at the baseplate and adjust the Hall probe post position, if necessary, to achieve the correct location.

7.5.1 To make the adjustments indicated in this and subsequent paragraphs, it may be necessary to loosen and retighten the collars on the Hall probe support post and the appropriate nylon clamping screws, which secure other parts of the apparatus.

7.6 Lower the support arm until the Hall probe blade tip is in bare (light) contact with the target support table. Note the Gaussmeter reading. Swing (rotate) the cross arm to center the probe blade between the magnetic poles, and slightly rotate the probe support tube, as necessary, to maximize the Gaussmeter readings. The proper position is achieved when the Gaussmeter reading indicates a clear maximum in the magnetic field strength.

NOTE 2—If a clear maximum cannot be identified, the Hall probe blade is not adequately centered in the probe support tube (see 7.4), or the blade is not in correct transverse alignment (7.6). Repeat 7.4 or 7.6 as required, to provide a discernible maximum point in 7.6.

7.6.1 The maximum Gaussmeter reading at the target support table (7.6) is the “source field” (2.1.3).

NOTE 3—Measuring and recording (preferably using an SPC control chart) the source field provides important information about the stability of the measuring system. A significant deviation in source field strength may indicate a problem with the Hall probe, or a change in the operating environment that may influence the test results.

7.7 The source field (7.6.1) must be in the range 825 ± 50 Gauss.

7.7.1 If the dc magnetic field is not in the required range (7.7) the Hall probe should be inspected and replaced if any evidence of damage is observed. If there are no indications of probe damage the measurement of the source field (7.2 – 7.6) should be repeated, as needed, until the requirement of 7.7 is satisfied.

7.8 Lift the probe support cross arm to a position in which the clearance between Hall probe tip and the top surface of the

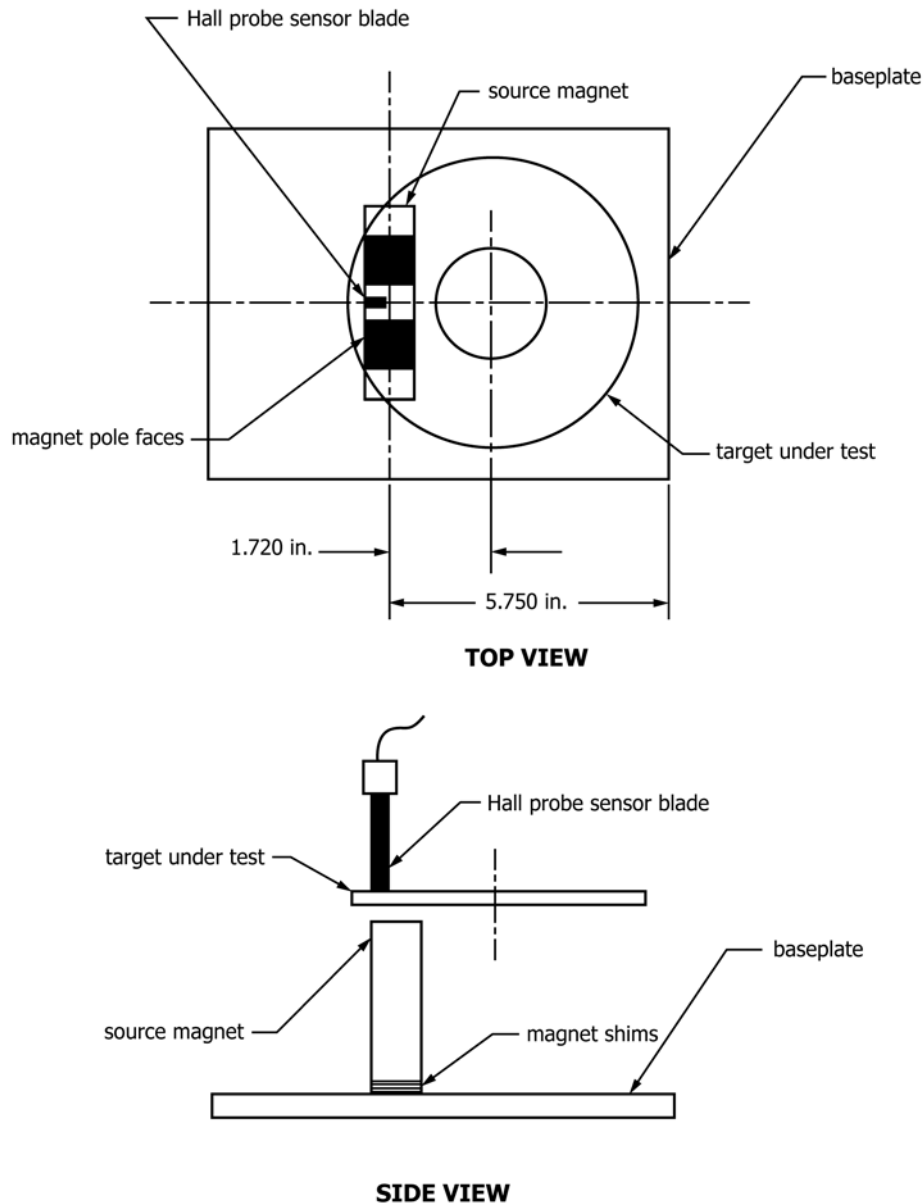


FIG. 1 PTF Test Fixture Setup Schematic Drawing

target to be tested (with the TFE-fluorocarbon washer in place), will be 0.075 ± 0.025 in. (2.0 ± 0.6 mm). Adjust and tighten the collars on the probe support post to maintain the probe support cross arm at this elevation.

7.9 Swing (rotate) the probe support arm as in 7.6 to maximize the Gaussmeter reading. Record this value.

7.9.1 The maximum dc magnetic field reading, with the Hall probe in the test position but with no sputtering target in place on the fixture's table, is the "reference field" (2.1.2).

7.10 Swing the cross arm to move the probe clear of the target support table.

7.11 Place the TFE-fluorocarbon washer in position on the target support table. The test fixture is now ready for use.

8. Target Preparation

8.1 Activate, zero, and calibrate the screening Gaussmeter (6.3) according to the manufacturer's instructions.

8.2 Use the Gaussmeter to determine that the stray magnetic field in the immediate work area is less than 1 Gauss in strength. Remove sources of excessive stray fields, if necessary.

8.3 Measure the residual magnetic field in the test target by scanning the Gaussmeter probe lightly over the target surface, noting the magnetic intensity component perpendicular to the surface.

8.4 If the residual field exceeds 3 Gauss at any point, treat the test target with the demagnetizer (6.4) until the residual field is reduced to less than 3 Gauss.

9. Procedure

9.1 Identify and mark (for example, with a tab of adhesive tape) a fiducial “zero” position on the outer rim of sputtering target under test.

9.2 Mount the test target on the target table of the PTF fixture. Magnetically condition the target by rotating it counterclockwise on the target support table five complete turns. It is important for reproducible results that the target rotation is always in the same direction, for example, counterclockwise.

NOTE 4—Some magnetic conditioning is usually required to achieve stable, repeatable, PTF values. For most alloys, five magnetic cycles (turns) is adequate. In some exceptional cases more cycles may be required (see 9.10).

9.3 By rotating the target counterclockwise align the zero mark with the Hall probe support post.

9.4 Swing the Hall probe into position over the target using care to ensure that the height of the probe above the target surface is not changed from its original setting (7.8).

9.5 Note the Gaussmeter reading. Swing (rotate) the cross arm to locate the position of maximum magnetic field value. Tighten the nylon friction screw to secure the probe in this position.

9.6 Record the Gaussmeter magnetic field value at this “zero degrees” target orientation.

9.7 Rotate the target $30 \pm 5^\circ$ counterclockwise and record the magnetic field value at the “30°” target orientation.

9.8 Repeat 9.7 at 60, 90, and 120° target orientations. Record the Gaussmeter readings at each angular setting.

9.8.1 Use caution to avoid bumping moving the Hall probe while manipulating the target orientation. If the probe is moved it is necessary to start over again, repeating 9.2 – 9.8.

9.9 Without changing the probe height swing (rotate) the cross arm so that the target may be removed without bumping the probe. Remove the target.

9.10 For the first few targets (typically, three test pieces) of a new alloy or new type, verify that the magnetic conditioning (9.2) is adequate by remounting the test target(s) and repeating 9.2 – 9.9. The PTF values measured the second time should

agree within 5 % of those determined in the first pass. If the PTF values do not reproduce within the required precision, repeat the magnetic conditioning (9.2) sufficient times so that stability is achieved. Future tests of this particular target type will require the more rigorous preconditioning.

NOTE 5—It is sound practice to degauss the test target after the measuring procedure is complete.

10. Computations

10.1 For each of the five individual PTF readings (Section 9), divide by the reference dc magnetic field (7.9) and multiply this quotient by 100 to compute the percentage of the dc magnetic field transmitted through the target (% PTF).

10.2 Review the data to identify the maximum and minimum % PTF’s.

10.3 Average the five % PTF values to determine the average % PTF, (Ave. % PTF).

NOTE 6—Tests conducted in the responsible technical subcommittee indicate that the absolute PTF values measured in this test method depend sensitively upon the spacing between the Hall probe tip and the target surface (7.8). The % PTF’s, however, are independent of the clearance between target surface and probe tip within the limits indicated in 7.8.

11. Report

11.1 Report the following information:

11.1.1 For each target tested, report the % PTF value, measured at each of the five target orientation angles,

11.1.2 For each target tested, compute and report the average of the five % PTF readings,

11.1.3 Note and report the maximum and minimum of the five % PTF values,

11.1.4 Compute and report the range of the five % PTF values, and compute and report the range divided by the average.

12. Precision and Bias

12.1 The responsible technical subcommittee is conducting an interlaboratory comparison to establish the precision and bias of this test method.

13. Keywords

13.1 magnetic data storage media; magnetic field; magnetic sputtering targets; pass through flux; sputtering; sputtering target

APPENDIX

(Nonmandatory Information)

X1. MAGNETIC TEST FIXTURE

X1.1 Application notes for construction of special test fixture (see also Figs. X1.1-X1.11). See table footnote for the sole source of supply of the sputtering cathode.³

³ The sole source of supply of the sputtering machine MDP 350 known to the committee at this time is Intevac Vacuum System Division 3550 Bassett Street Santa Clara, CA 95054. If you are aware of alternative suppliers, please provide this information to ASTM Headquarters. Your comments will receive careful consideration at a meeting of the responsible technical committee, ¹ which you may attend.

Dash Number	Target Description	Test Fixture Components Required
-1	Nominal 5.00 in. O.D. by 2.50 in. I.D. by 0.25 in. thick (127.00 mm O.D. by 63.50 mm I.D. by 6.35-mm thick) target to fit MDP 350 sputtering cathode	Basic components and fasteners (see Table X1.1), including: - 1 target table - 1 alignment hub - 1 TFE-fluorocarbon washer, and, in addition, 2 each NF10-32 by 3/4 brass flat head screws

X1.2 For the basic bill of materials for the magnetic test fixture, see Table X1.1.

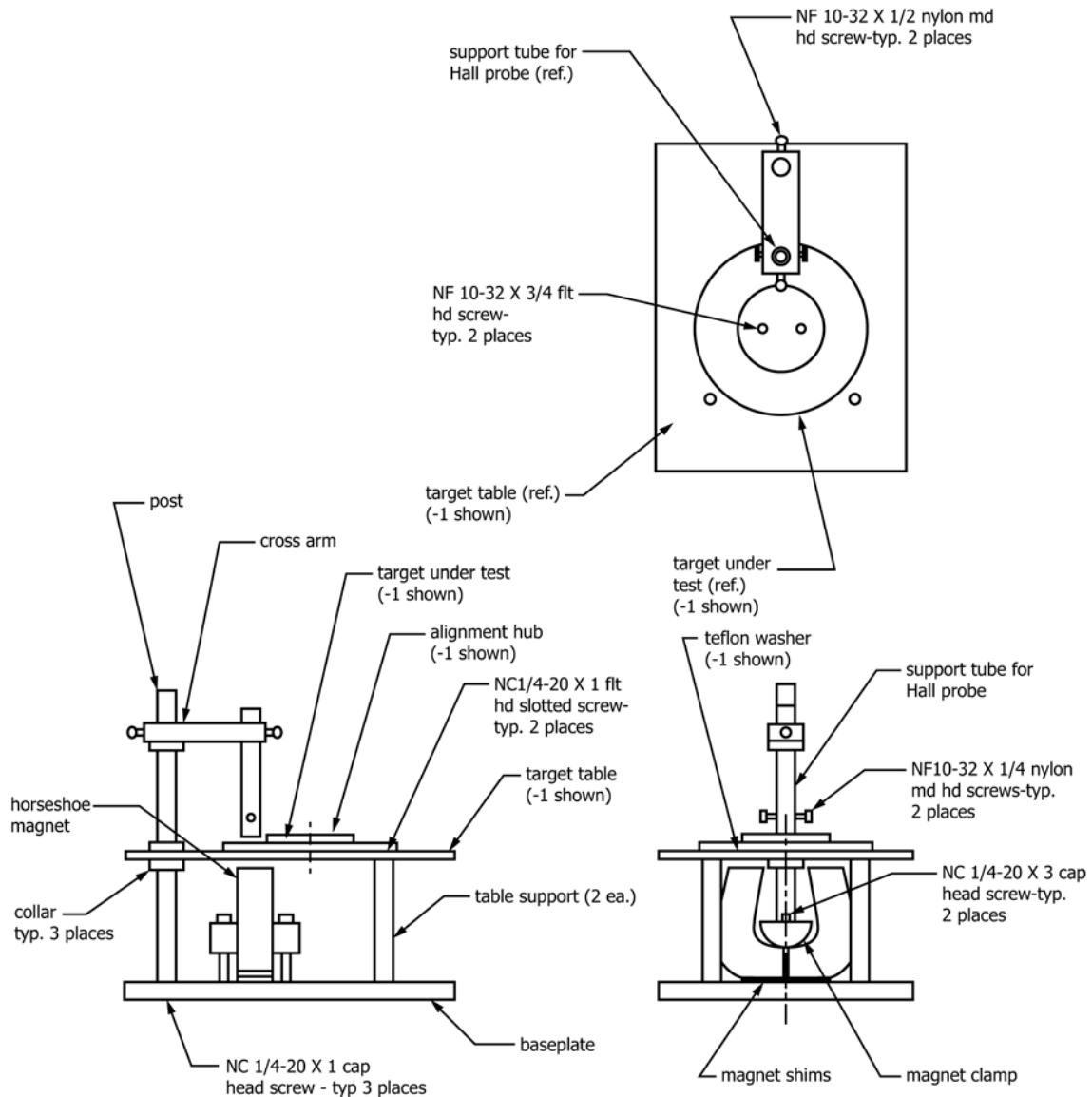
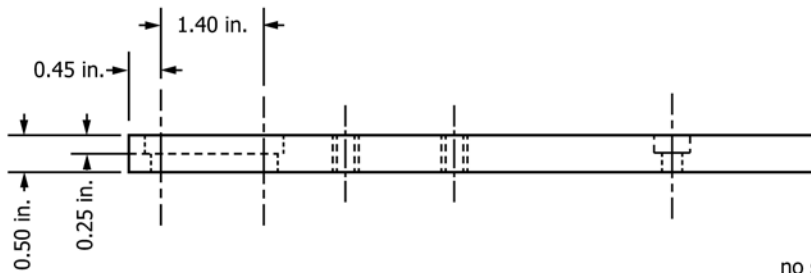
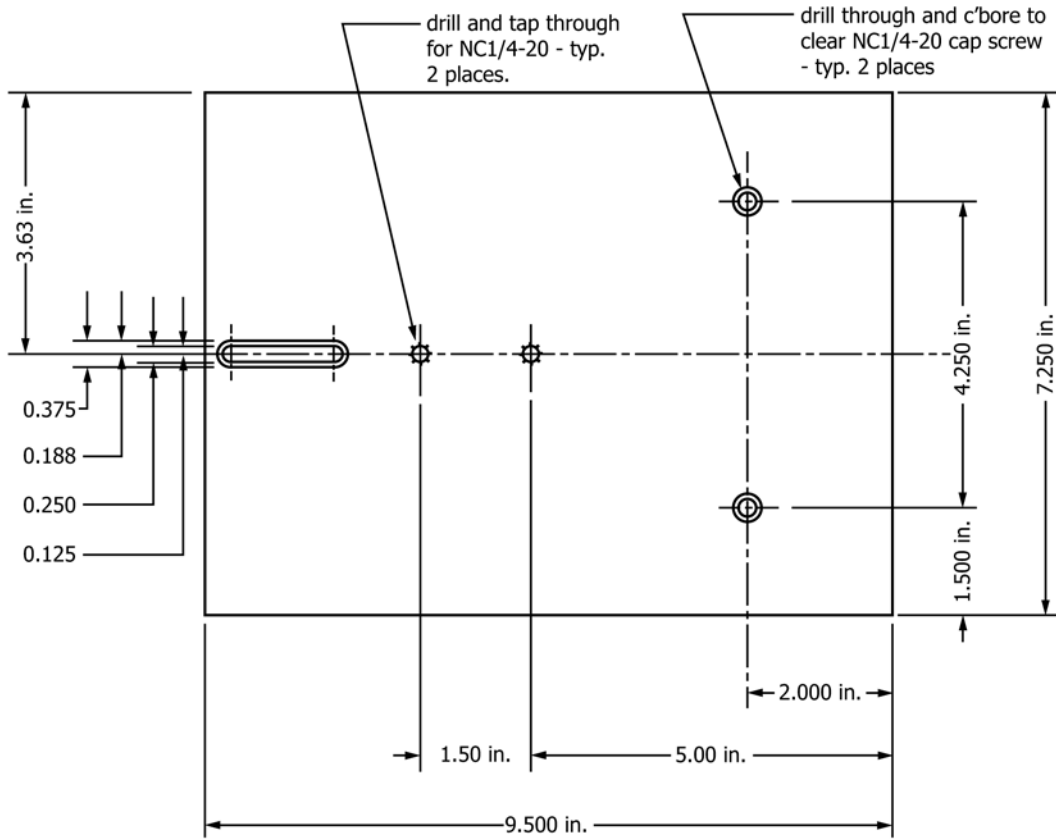


FIG. X1.1 Magnetic Test Fixture—Assay



no scale
 tolerances -
 x.xx +/- 0.010
 x.xxx +/- 0.005
 break all sharp edges

FIG. X1.2 Baseplate

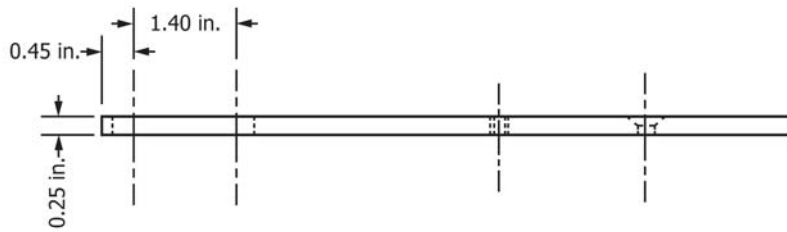
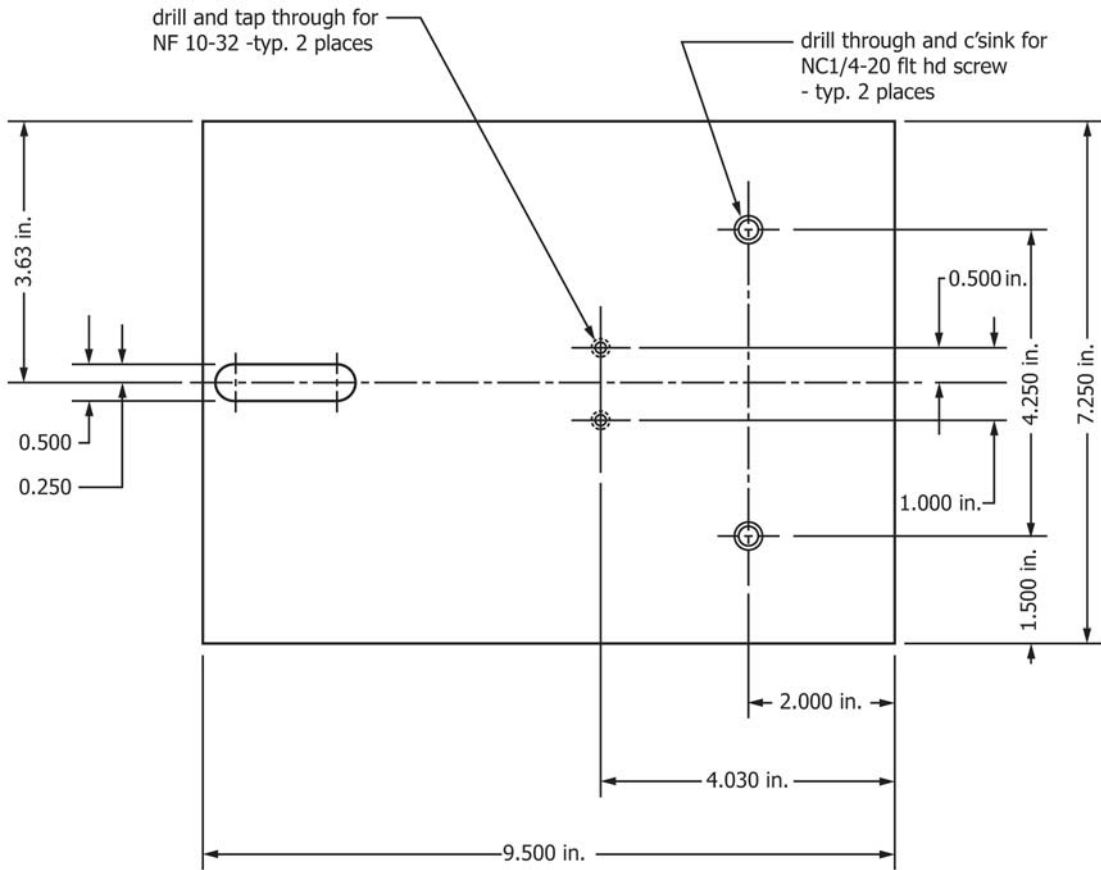


FIG. X1.3 - 1 Target Table

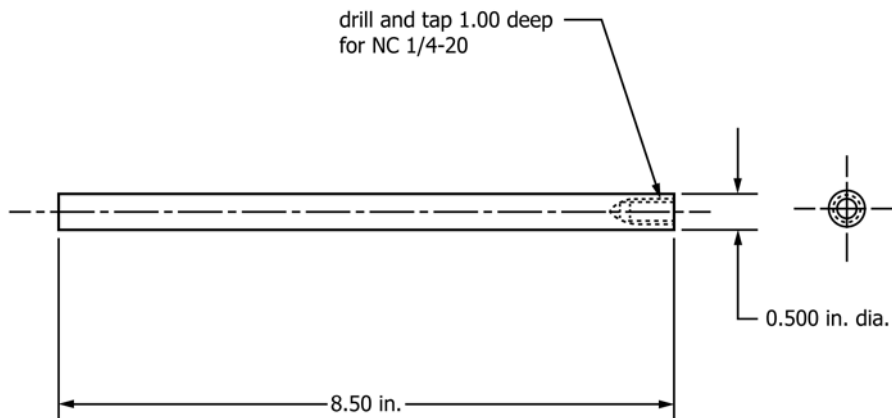


FIG. X1.4 Post

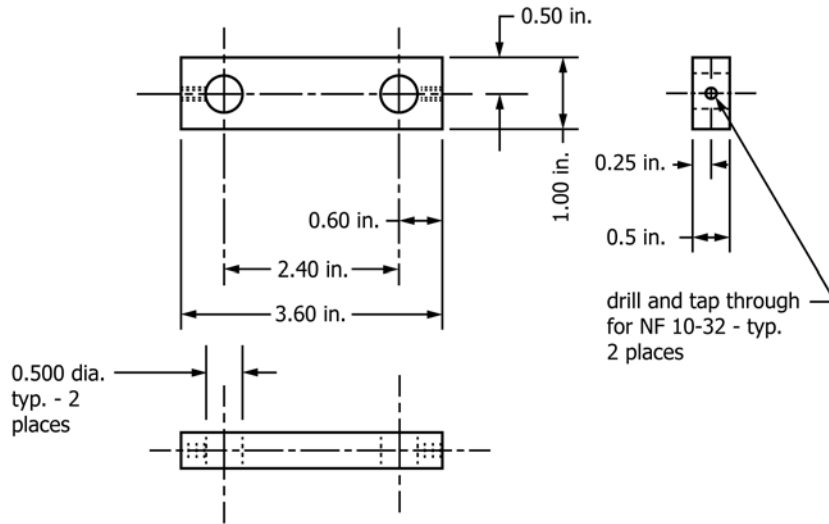


FIG. X1.5 Cross Arm

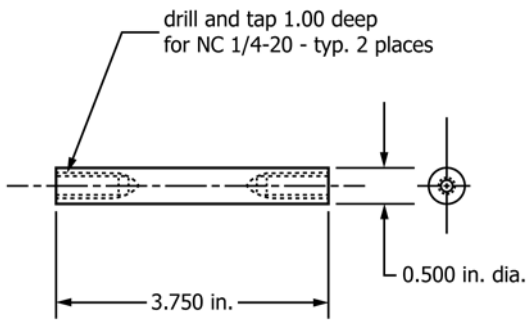


FIG. X1.6 Table Support

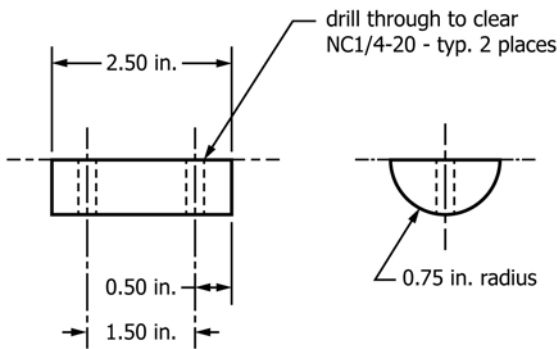


FIG. X1.7 Magnet Clamp

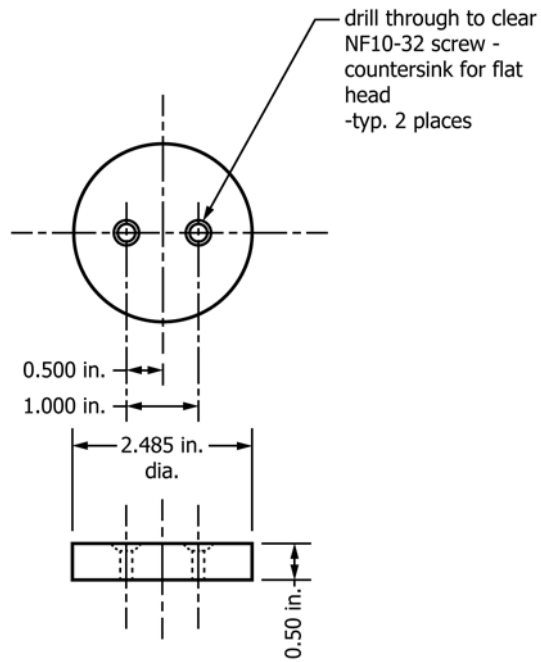


FIG. X1.8 - 1 Alignment Hub

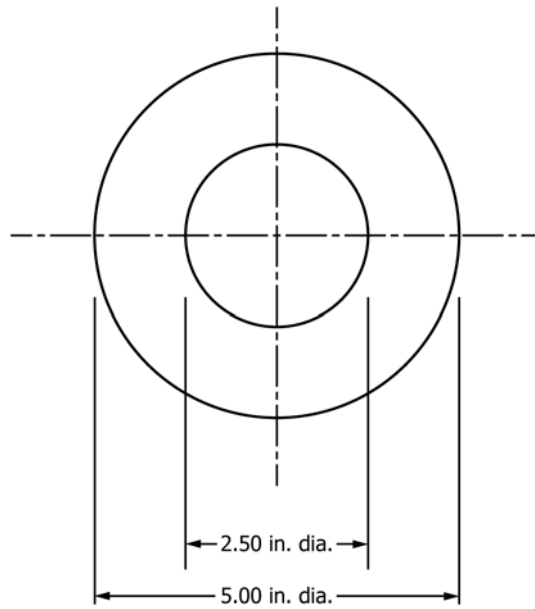


FIG. X1.9 - 1 TFE-Fluorocarbon Washer

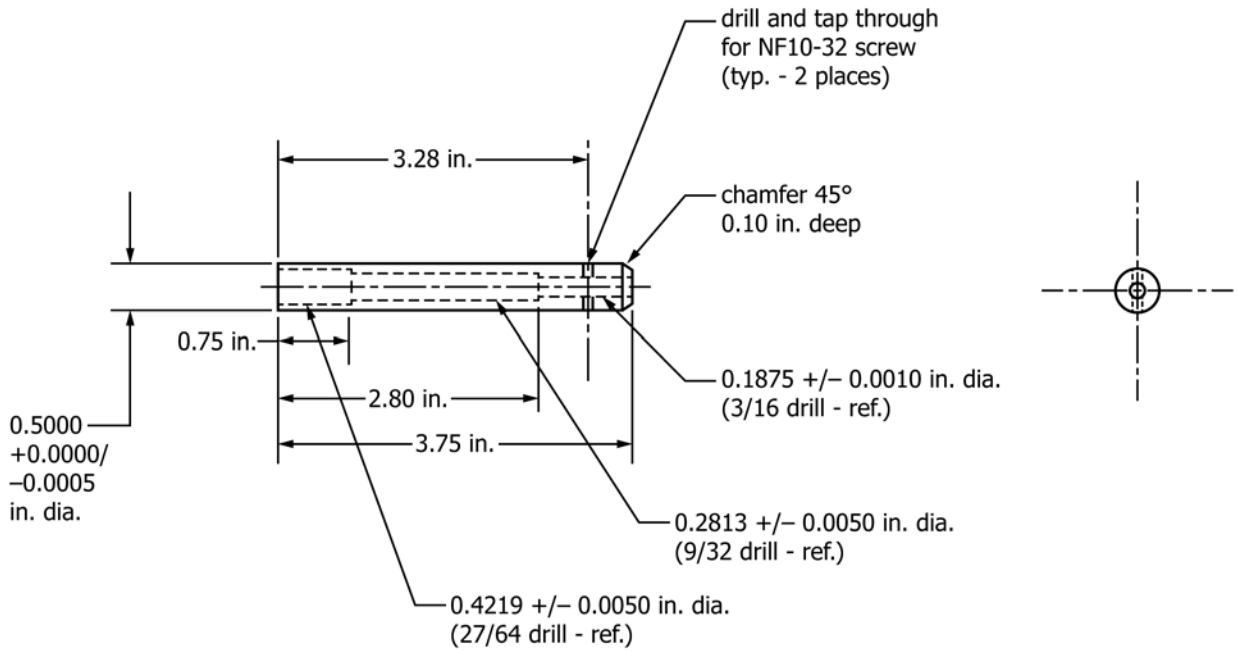
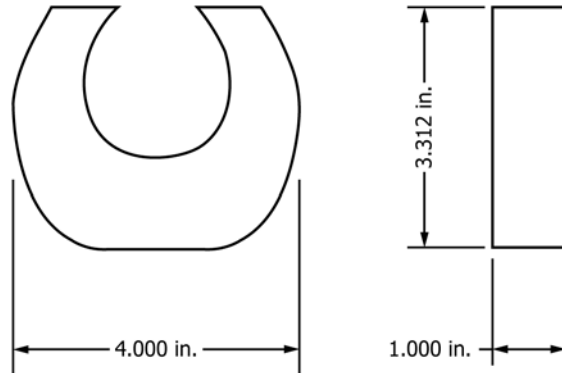


FIG. X1.10 Probe Support Tube



NOTE 1—This magnet is for reference only. This magnet is a vendor-supplied part (see Table X1.1 footnote c).

FIG. X1.11 Magnet

TABLE X1.1 Magnetic Test Fixture—Basic Bill of Materials

NOTE 1—All materials of construction must be nonmagnetic.

Part Name	Material	Notes	Fasteners
Baseplate	Aluminum stress-relieved tooling plate		2 each, NF10—32 by ¼ nylon round head screws
Target table	Aluminum stress-relieved tooling plate	Dash number specified in application notes	2 each, NF10—32 by ½ nylon round head screws
Post	Aluminum or free machining brass		3 each, NC ¼-20 by 1 cap head stainless steel screws
Cross arm	Aluminum or free machining brass		2 each, NC ¼-20 by 1 flat slotted head stainless steel screws
Table support	Aluminum or free machining brass		2 each, NC ¼-20 by 3 cap head stainless steel screws
Magnet clamp	Aluminum 6061T6, or equivalent		3 each, ½ in. ID by 1⅞ in. OD by 1⅜-in. thick aluminum collar (see ^A)
Alignment hub	Aluminum 6061T6, or equivalent	Dash number specified in application notes	
TFE-fluorocarbon washer	Make from 0.010-in. thick TFE-fluorocarbon film ^B	See ^B ; dash number specified in application notes	
Probe support tube	Free machining brass		
Magnet	Vendor-supplied part ^C		

^AThe steel screw in the collar must be replaced with a nonmagnetic stainless steel or brass screw.

^BSpecify 0.010 ± 0.001-in. thick TFE-fluorocarbon film by 12-in. wide.

^CThe sole source of supply of the horseshoe magnet Cast Alnico 5, Dexter Catalog No. 5K215 known to the committee at this time is Dexter Magnetic Materials, 48460 Kato Rd., Fremont, CA. If you are aware of alternative suppliers, please provide this information to ASTM Headquarters. Your comments will receive careful consideration at a meeting of the responsible technical committee, ¹ which you may attend.

ASTM International takes no position respecting the validity of any patent rights asserted in connection with any item mentioned in this standard. Users of this standard are expressly advised that determination of the validity of any such patent rights, and the risk of infringement of such rights, are entirely their own responsibility.

This standard is subject to revision at any time by the responsible technical committee and must be reviewed every five years and if not revised, either reapproved or withdrawn. Your comments are invited either for revision of this standard or for additional standards and should be addressed to ASTM International Headquarters. Your comments will receive careful consideration at a meeting of the responsible technical committee, which you may attend. If you feel that your comments have not received a fair hearing you should make your views known to the ASTM Committee on Standards, at the address shown below.

This standard is copyrighted by ASTM International, 100 Barr Harbor Drive, PO Box C700, West Conshohocken, PA 19428-2959, United States. Individual reprints (single or multiple copies) of this standard may be obtained by contacting ASTM at the above address or at 610-832-9585 (phone), 610-832-9555 (fax), or service@astm.org (e-mail); or through the ASTM website (www.astm.org). Permission rights to photocopy the standard may also be secured from the Copyright Clearance Center, 222 Rosewood Drive, Danvers, MA 01923, Tel: (978) 646-2600; http://www.copyright.com/