



Standard Specification for Quick Disconnect Couplings (6 in. NPS and Smaller)¹

This standard is issued under the fixed designation F1122; the number immediately following the designation indicates the year of original adoption or, in the case of revision, the year of last revision. A number in parentheses indicates the year of last reapproval. A superscript epsilon (ϵ) indicates an editorial change since the last revision or reapproval.

^{ε1} NOTE—Keywords section was editorially added in May 2015.

1. Scope

1.1 This specification covers the manufacturing data required to produce a variety of styles and sizes of quick disconnect couplings up to and including NPS 6 for marine use that ensure interchangeability and safety of operation.

1.2 In general, quick disconnect couplings are hose and pipe end fittings that permit quick mechanical attachment by means other than bolted or threaded fittings. The method of attachment is a male coupling half (adapter) that fits into a female coupling half (coupler) of the same size. By closing attached cam handles, the coupling halves seal, permitting fluids to be transported under pressure through the quick disconnect coupling.

1.3 The values stated in inch-pound units are to be regarded as standard. The values given in parentheses are mathematical conversions to SI units that are provided for information only and are not considered standard.

1.4 The following safety hazards caveat pertains only to the test method described in this specification: *This standard does not purport to address all of the safety concerns, if any, associated with its use. It is the responsibility of the user of this standard to establish appropriate safety and health practices and determine the applicability of regulatory limitations prior to use.*

2. Referenced Documents

2.1 *ANSI Standards*:²

[B2.1 Pipe Threads](#)

[B16.5 Pipe Flanges and Flanged Fittings, Steel-Nickel Alloy, and Other Special Alloys](#)

[B16.24 Bronze Pipe Flanges and Flanged Fittings](#)

[B16.42 Ductile Iron Pipe Flanges and Flanged Fittings](#)

[B31.1 Power Piping Code](#)

¹ This specification is under the jurisdiction of ASTM Committee F25 on Ships and Marine Technology and is the direct responsibility of Subcommittee F25.11 on Machinery and Piping Systems.

Current edition approved May 1, 2015. Published June 2015. Originally approved in 1987. Last previous edition approved in 2010 as F1122 – 04 (2010). DOI: 10.1520/F1122-04R15.

² Available from American National Standards Institute (ANSI), 25 W. 43rd St., 4th Floor, New York, NY 10036, <http://www.ansi.org>.

2.2 *MSS Standards*:³

[MSS-SP-6 Standard Finish for Contact Faces of Pipe Flanges and Connecting End Flanges of Valves and Fittings](#)

[MSS-SP-25 Standard Marking System for Valves, Fittings, Flanges, and Unions](#)

[MSS-SP-55 Quality Standard for Steel Castings for Valves, Flanges, and Fittings and Other Piping Components \(Visual Method\)](#)

2.3 *ASME Standards*:⁴

[Section VIII, Division 1 Pressure Vessels](#)

[Section IX, Welding and Brazing Qualifications](#)

3. Definitions of Terms Specific to This Standard

3.1 *adapter*—one half of a quick disconnect coupling that fits into the coupler and seals against an elastomer gasket positioned inside the coupler.

3.2 *cam handles*—handles that are assembled to the coupler half which by closing engages the adapter sealing the coupling.

3.3 *coupler*—one half of a quick disconnect coupling that receives the adapter. This half contains the sealing gasket and cam handles (see Fig. 1).

NOTE 1—See Fig. 2 for a description of typical coupler pipe fittings.

4. Classification

4.1 Quick disconnect couplings shall consist of the following types:

4.1.1 *Standard Class*—This type is to be designed for a 4:1 burst factor of safety.

4.1.2 *Class I*—This type is to be designed for a 5:1 burst factor of safety.

4.2 Both Standard Class and Class I will be called quick disconnect couplings in the body of this specification unless otherwise specified.

³ Available from Manufacturers Standardization Society of the Valve and Fittings Industry (MSS), 127 Park St., NE, Vienna, VA 22180-4602, <http://www.mss-hq.com>.

⁴ Available from American Society of Mechanical Engineers (ASME), ASME International Headquarters, Two Park Ave., New York, NY 10016-5990, <http://www.asme.org>.

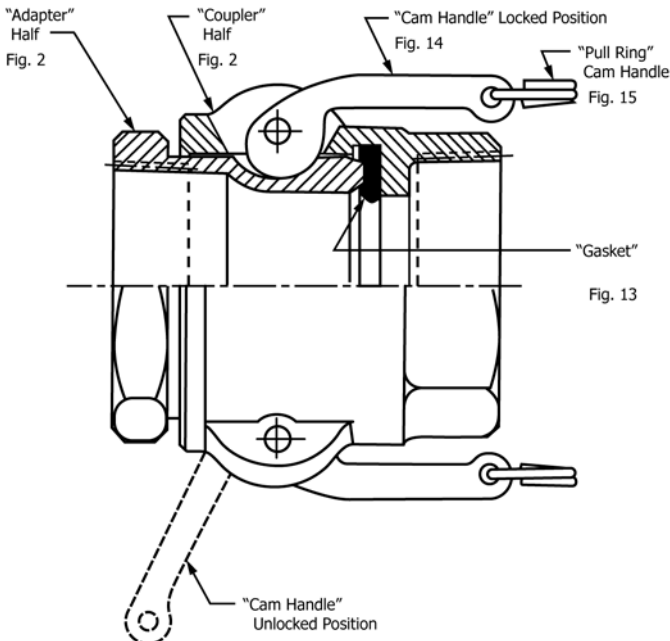


FIG. 1 Typical Coupler Assembly

5. Ordering Information

5.1 Purchase orders for quick disconnect couplings under this specification shall include the following applicable information:

5.1.1 Class.

5.1.2 Size and type of each coupling half-end connection. (Example: 2- by 1½-in. NPT).

5.1.3 ASTM material designation and date including alloy specifications for the following:

5.1.3.1 Adapter and coupler halves,

5.1.3.2 Cam handle, and

5.1.3.3 Cam handle pivot pin.

5.1.4 Product or fluid in applicable system.

5.1.5 Shipping instructions.

5.1.6 Any special requirements, such as testing, coatings, and threads.

6. Materials and Manufacture

6.1 *Materials:*

6.1.1 Pressure-retaining parts shall be manufactured from material specifications and grades listed in Section VIII, Division 1, of the ASME Boiler and Pressure Vessel Code or ANSI B31.1.

6.1.2 All other materials of construction shall be of the type specified by the user and shall conform to ASTM, ASME, or Metal Power Industry Federation material specifications. Materials not identified by the ordering data shall be of the manufacturer's standard and of the same quality used for the intended purpose in commercial practice.

6.1.3 All material incorporated in the work covered by this specification shall be new. The use of rebuilt or used products are not allowed under this specification.

6.1.4 Gaskets are to be produced from a compressible elastomeric material and shall be compatible with the fluid to be transferred (see 5.1.4).

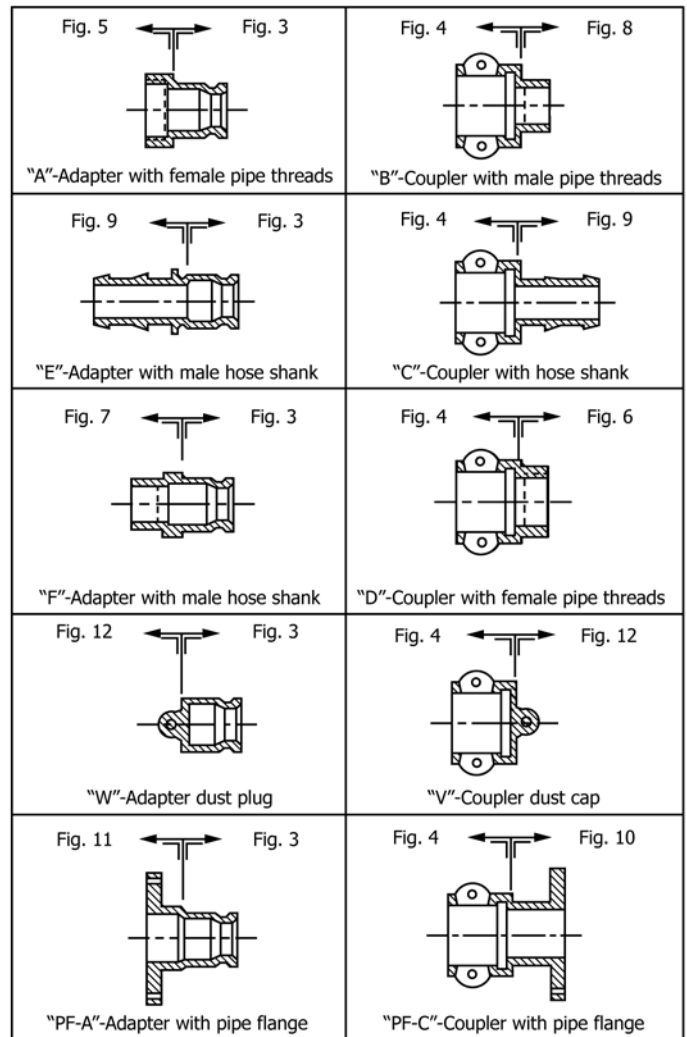


FIG. 2 Adapter/Coupler Types (End Dimensional Data Located in Tables Indicated by Arrows)

6.2 *Manufacture:*

6.2.1 Adapters and couplers are to be produced as castings or forgings. Cam handles may be produced by casting, forging, or sintered metal processes. Established commercial processing methods are to be used to produce these parts, provided chemical and physical properties are consistent with those cataloged for the specified materials.

6.2.2 Pipe threads on the service end of couplers or adapters, when specified, shall meet ANSI B2.1.

6.2.3 Flanges on the service end of couplers or adapters, when specified, shall meet ANSI B16.5, B16.24, or B16.42.

6.2.4 Flanges shall be finish machined to specifications shown in MSS-SP-6.

6.2.5 Cam handles assembled to the coupler are to have a safety locking device to ensure against the handles being opened unintentionally or vibrating open. This locking device must require a separate, deliberate effort in the opening operation over the standard handle operation.

6.2.6 Cam handles shall be manufactured to contain the adapter within the coupler under rated pressure with no leakage occurring. The cam action shall not distort the couplers

rendering the coupler unusable. The force required to close the cam handles shall be adequate to prevent leakage, but shall be easily attainable through hand operation by an average strength person. Handles should not need to be hammered closed.

6.2.7 Welding procedure qualifications, welder performance qualifications, and welding materials shall be in accordance with ANSI B 31.1 and Section IX of the ASME Code. Brazing or soldering shall not be used. Where radiography is required (see 12.1), all welds shall be butt welds.

7. Other Requirements

7.1 All couplings shall have a maximum allowable working pressure of not less than 150 psi (1034 kPa).

7.2 Maximum allowable working pressure (MAWP) for a Standard Class coupling shall be 25 % of its burst pressure.

7.3 Maximum allowable working pressure for a Class I coupling shall be 20 % of its burst pressure.

7.4 Burst pressure shall be determined in accordance with Section VIII, Division 1 of the ASME Code.

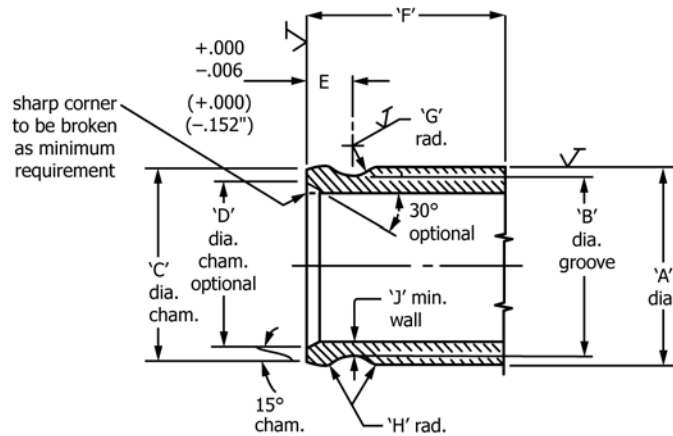
8. Dimensions

8.1 The dimensions and tolerances required to ensure interchangeability of adapter and coupler halves, of common sizes, shall be as given in Figs. 3-15.

8.2 Sizes as listed in the tables correspond to NPS for piping systems.

9. Workmanship, Finish, and Appearance

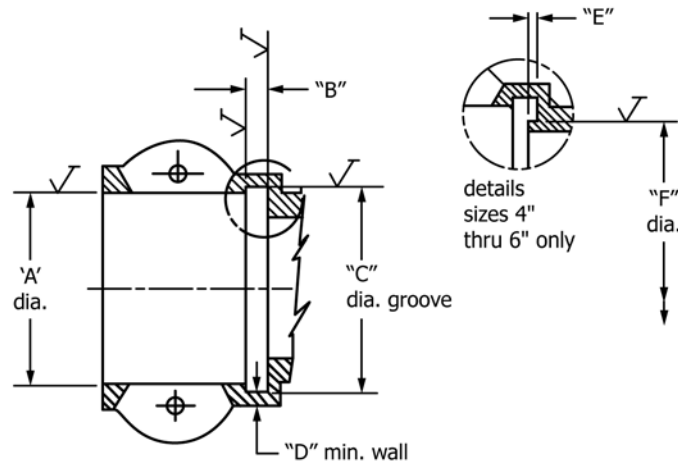
9.1 Couplings are to be produced with quality workmanship. Casting surface quality is to be in accordance with MSS-SP-55. Machined surfaces are to be finish machined to a 125-μin. (3175-μmm) (AA) finish or better with no porosity showing.



NOTE 1—Unidentified tolerances; fractional = ±1/64 (±0.4), decimal = +0.000/-0.005 (+0.000/-0.127), angular = ±2° (±0.035 rad)

Size	Dimensions, in. (mm)									
	A	B	C	D	E	F	G	H	J	
1/2	1.264	1.035	17/32	27/32	0.471	1	0.378	1/16	3/32	
	(32.1)	(26.3)	(31)	(21)	(12)	(25.4)	(9.6)	(1.6)	(2.4)	
3/4	1.264	1.035	17/32	31/32	0.471	1	0.378	1/16	3/32	
	(32.1)	(26.3)	(31)	(24.6)	(12)	(25.4)	(9.6)	(1.6)	(2.4)	
1	1.446	1.144	1 3/8	1 3/32	0.565	1 5/16	0.378	3/32	3/32	
	(36.7)	(29)	(34.9)	(27.8)	(14.3)	(33.3)	(9.6)	(2.4)	(2.4)	
1 1/4	1.792	1.388	1 23/32	1 1/4	0.690	1 9/16	0.441	1/8	1/8	
	(45.5)	(35.2)	(43.6)	(31.7)	(17.5)	(39.7)	(11.2)	(3)	(3)	
1 1/2	2.105	1.690	2 1/32	1 9/16	0.690	1 9/16	0.441	1/8	1/8	
	(53.4)	(42.9)	(51.6)	(39.7)	(17.5)	(41.3)	(11.2)	(3)	(3)	
2	2.484	2.065	2 19/32	1 15/16	0.848	1 7/8	0.441	1/8	1/8	
	(63.1)	(52.4)	(61.1)	(49.2)	(21.5)	(47.6)	(11.2)	(3)	(3)	
2 1/2	2.985	2.545	2 7/8	2 7/16	0.848	1 15/16	0.441	1/8	5/32	
	(75.8)	(64.6)	(73)	(61.9)	(21.5)	(49.2)	(11.2)	(3)	(4)	
3	3.604	3.202	3 1/2	3 3/32	0.895	2	0.503	1/8	5/32	
	(91.5)	(81.3)	(88.9)	(78.6)	(22.7)	(50.8)	(12.8)	(3)	(4)	
4	4.708	4.307	4 19/32	4 1/8	0.895	2 1/16	0.503	1/8	7/32	
	(119.6)	(109.4)	(116.7)	(104.8)	(22.7)	(52.4)	(12.8)	(3)	(5.6)	
5	5.728	5.312	5 5/8	5 1/8	0.897	2 1/8	0.503	1/8	7/32	
	(145.5)	(134.9)	(142.9)	(130.2)	(22.8)	(54)	(12.8)	(3)	(5.6)	
6	6.929	6.362	6 13/16	6 5/32	0.963	2 1/4	0.659	1/8	7/32	
	(176)	(161.6)	(173)	(156.4)	(24.5)	(57.1)	(16.7)	(3)	(5.6)	

FIG. 3 Adapter End Dimensions



NOTE 1—Unidentified tolerances; fractional = $\pm 1/64$ (± 0.4), angular = $\pm 2^\circ$ (± 0.035 rad), decimal = ± 0.005 (± 0.127)

Size	Dimensions, in. (mm)					
	A	B	C	D	E	F
1/2	1.274 (32.3)	1/4 (6.3)	1 ²⁷ / ₆₄ (36.1)	3/32 (2.4)
	1.274 (32.3)	1/4 (6.3)	1 ²⁷ / ₆₄ (36.1)	3/32 (2.4)
3/4	1.464 (37.2)	9/32 (7.1)	1 ¹⁹ / ₃₂ (40.5)	3/32 (2.4)
	1.810 (46)	9/32 (7.1)	2 (50.8)	1/8 (3)
1 1/4	2.123 (53.9)	9/32 (7.1)	2 1/4 (57.1)	1/8 (3)
	2.508 (63.7)	9/32 (7.1)	2 11/16 (68.3)	1/8 (3)
2	3.009 (76.4)	9/32 (7.1)	3 3/16 (81)	5/32 (4)
	3.628 (92.1)	9/32 (7.1)	3 25/32 (96)	5/32 (4)
2 1/2	4.732 (120.2)	9/32 (7.1)	4 15/16 (125.4)	7/32 (5.6)	3/32 (2.4)	3 ²⁹ / ₃₂ (99.2)
	5.752 (146.1)	9/32 (7.1)	5 31/32 (151.6)	7/32 (5.6)	3/32 (2.4)	4 ⁵¹ / ₆₄ (121.8)
5	6.948 (176.5)	9/32 (7.1)	7 9/64 (181.4)	7/32 (5.6)	3/32 (2.4)	5 ²⁹ / ₃₂ (150)

FIG. 4 Coupler End Dimensions

9.1.1 Couplings are to be free of burrs or sharp edges. Machined surfaces are to be free of nicks or scratches that may affect the sealing capabilities of the couplings.

9.1.2 Surfaces are to be sound with good appearance and true pattern. Internal surfaces, if not machined, shall be smooth, as expected from good quality casting, and free from any flaw that would render the part unsafe for its intended use.

9.2 Cam handles are to be smooth, having no burrs or sharp edges. Cam closing surface is to be continuous, providing an increasing axial pull on mating adapter until proper seating against the gasket occurs.

9.3 Defective parts are not to be repaired by welding, brazing, or any other method, to fill porosity or other flaws in the casting.

9.4 Gaskets are to be produced having parallel sealing faces. Faces are not to contain any imperfections that will allow leakage to occur at working pressure.

10. Number of Tests

10.1 A prototype coupling of each size of each particular design shall be tested to determine conformance to this specification.

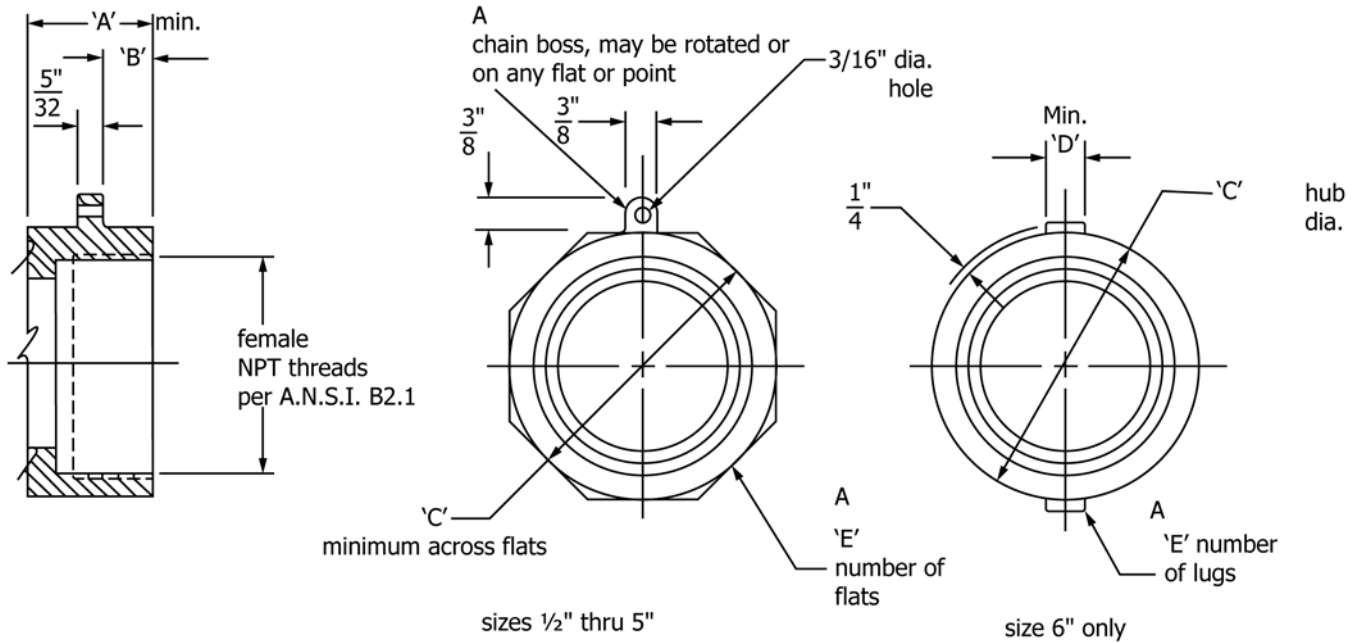
10.2 Each coupling shall be tested as outlined in production testing of 11.2.

11. Test Methods

11.1 Prototype testing of each size of each particular design shall be as follows. Maintain the indicated test pressures for at least 1 min without leakage.

11.1.1 Pressure test to twice the MAWP after having been cycled (connected, closed, opened, and disconnected) three times.

11.1.2 Pressure test at MAWP while applying a moment of 1000 in.-lbs (113 N·M) to one coupling half attempting to twist it loose. Reapply MAWP after the moment is removed.



NOTE 1—^A Chain boss to be provided at the manufacturer's discretion; number of flats or lugs provided are at the manufacturer's discretion. Unidentified tolerances; fractional $\pm 1/32$ (± 0.8)

Size	Dimensions, in. (mm)				
	A	B	C (minimum)	D (minimum)	E
1/2	9/16	7/32	1.259	...	8
	(14.3)	(5.6)	(32)		
3/4	9/16	7/32	1.259	...	8
	(14.3)	(5.6)	(32)		
1	9/16	7/32	1.441	...	8
	(14.3)	(5.6)	(36.6)		
1 1/4	9/16	7/32	1.787	...	8
	(14.3)	(5.6)	(45.4)		
1 1/2	9/16	7/32	2.100	...	8
	(14.3)	(5.6)	(53.3)		
2	9/16	7/32	2.479	...	8
	(14.3)	(5.6)	(63)		
2 1/2	3/4	5/16	2.980	...	8
	(19)	(7.9)	(75.7)		
3	3/4	5/16	3.599	...	8
	(19)	(7.9)	(91.4)		
4	1	13/32	4.703	...	8
	(25.4)	(10.3)	(119.5)		
5	1	13/32	5.723	...	8
	(25.4)	(10.3)	(145.4)		
6	1 1/16	NA	6.924	3/4	2
	(27)		(175.9)	(19)	

FIG. 5 Adapter Female Threads End

11.2 *Production Test*—Hydrostatically test each coupling to 1.5 times MAWP.

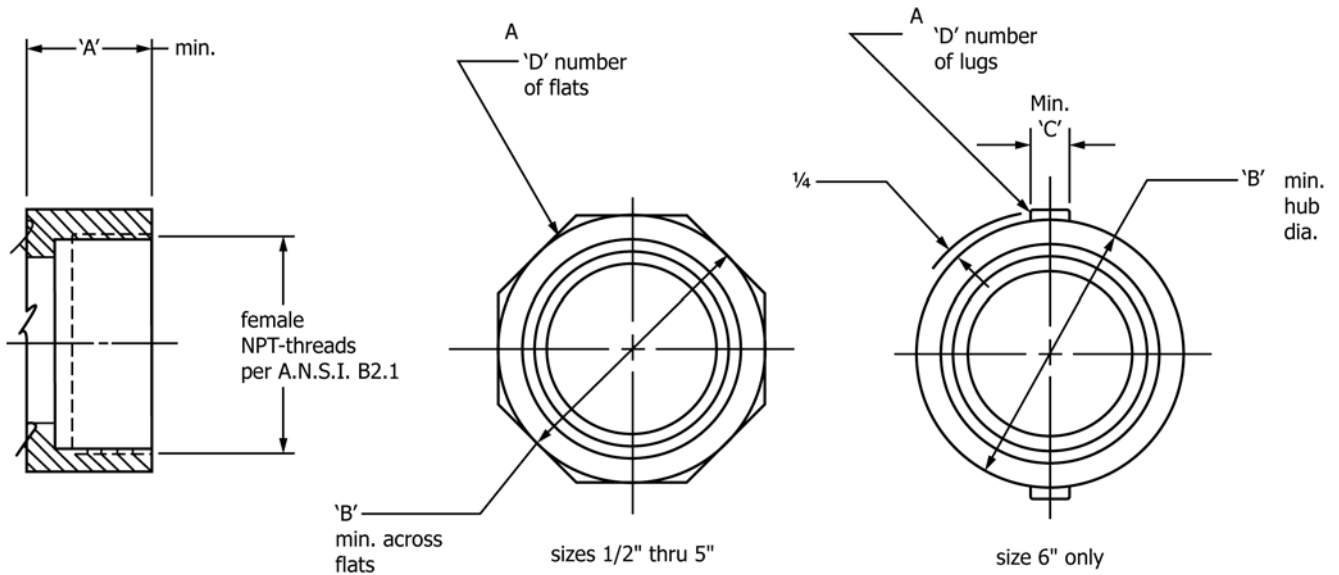
11.3 The test apparatus for 11.2 is to be a state-of-the-art device, designed to apply internal pressure to the coupling halves with gasket in place. Dye the fluid used to apply the hydrostatic pressure to facilitate observation of leakage should leakage occur.

12. Inspection

12.1 Nondestructive examination of welds shall be performed as required by ANSI B31.1. Additionally, 100 %

radiography of all welds is required for couplings equal to or greater than 4-in. (100-mm) nominal diameter and when the nominal wall thickness is greater than 0.375 in. (9.4 mm).

12.2 The manufacturer is responsible for the inspection and testing of each coupling and assuring conformity to this specification. Samples selected for inspection, at least one coupling from each lot of 100 or fraction thereof, are to be dimensionally checked 100 % to verify adherence to this specification. Couplings having threads are to be inspected using proper thread gages. The entire lot of couplings is to be



NOTE 1—^A Number of flats or lugs provided is at the manufacturer's discretion.
 Unidentified tolerance; fractional $\pm 1/32$ (± 0.8)

Size	Dimensions, in. (mm)			
	A	B (minimum)	C (minimum)	D
1/2	$43/64$ (17.1)	$13/16$ (30.2)	...	8
3/4	$3/4$ (19)	$11/4$ (37.7)	...	8
1	$3/4$ (19)	$11/2$ (38.1)	...	8
1 1/4	$3/4$ (19)	2 (50.8)	...	8
1 1/2	$7/8$ (22.2)	$29/32$ (57.9)	...	8
2	$7/8$ (22.2)	$23/4$ (69.8)	...	8
2 1/2	$13/32$ (29.4)	$35/16$ (84.1)	...	8
3	$15/32$ (29.4)	$315/16$ (100)	...	8
4	$13/8$ (34.9)	$415/16$ (125.4)	...	8
5	$13/4$ (44.4)	6 (152.4)	...	8
6	$11/4$ (31.7)	$73/16$ (182.6)	$3/4$ (19)	2

FIG. 6 Coupler Female Thread End

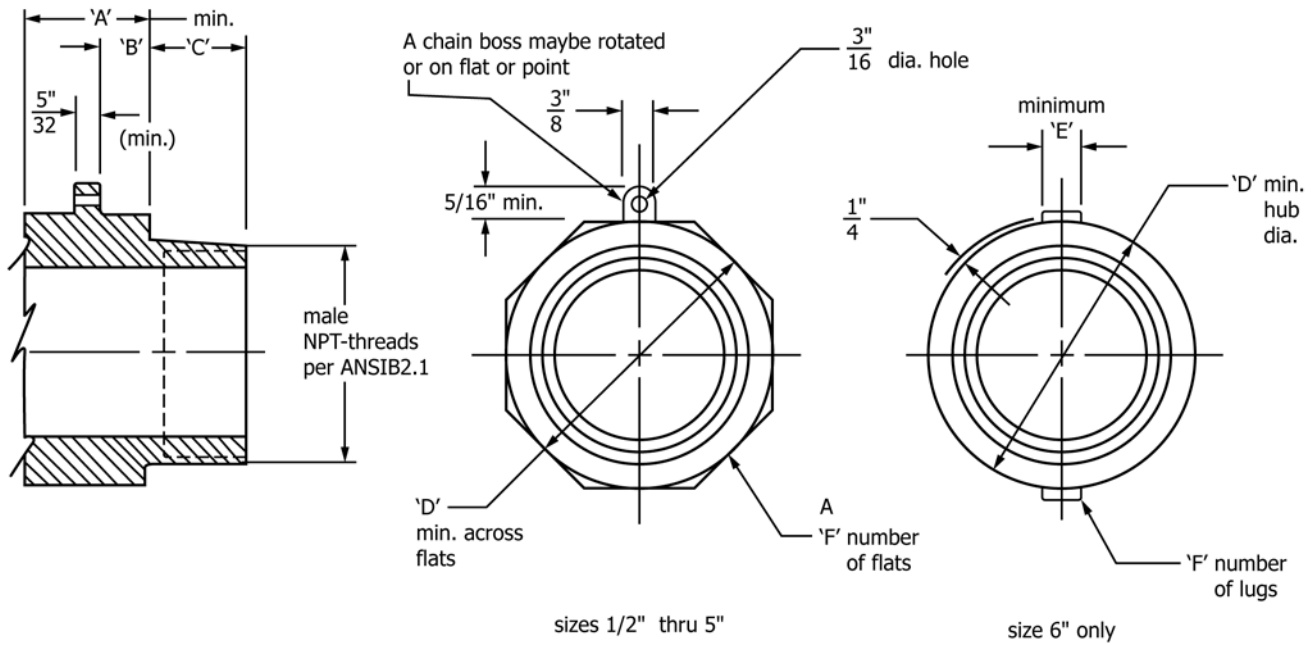
visually checked for porosity and other flaws that could adversely affect usability of this product.

12.3 The manufacturer shall afford the purchaser's inspector all reasonable facilities necessary to satisfy him that the material is being furnished in accordance with this specification. Inspection by the purchaser shall not interfere unnecessarily with the manufacturer's operations. All examinations and inspections shall be made at the place of manufacture, unless otherwise agreed upon.

12.4 Other tests, when agreed upon, shall be made from material of the lots covered in the order.

13. Certification

13.1 When specified in the purchase order or contract, the manufacturer's certification shall be furnished to the purchaser stating that the samples representing each lot have been manufactured, tested, and inspected in accordance with this specification and the requirements have been met. When



NOTE 1—^A Chain boss and number of flats or lugs provided is at the manufacturer's discretion. Unidentified tolerance; fractional $\pm 1/32$ (± 0.8)

Size	Dimensions, in. (mm)					
	A	B	C (minimum)	D (minimum)	E (minimum)	F
1/2	9/16 (14.3)	19/64 (5.2)	5/8 (15.9)	(1.259) (32)	...	8
	9/16 (14.3)	19/64 (5.2)	5/8 (15.9)	1.259 (32)	...	8
3/4	9/16 (14.3)	19/64 (5.2)	7/8 (22.2)	1.441 (36.6)	...	8
	9/16 (14.3)	19/64 (5.2)	7/8 (22.2)	1.787 (45.4)	...	8
1 1/4	9/16 (14.3)	19/64 (5.2)	7/8 (22.2)	2.100 (53.3)	...	8
	9/16 (14.3)	19/64 (5.2)	15/16 (23.8)	2.479 (63)	...	8
2	3/4 (19)	19/64 (7.5)	15/16 (36.5)	2.982 (75.7)	...	8
	3/4 (19)	19/64 (7.5)	17/16 (36.5)	3.599 (91.4)	...	8
3	1 (25.4)	27/64 (10.7)	19/16 (39.7)	4.703 (119.5)	...	8
	1 (25.4)	27/64 (10.7)	19/4 (44.4)	5.723 (145.4)	...	8
5	1 (25.4)	...	13/4 (44.4)	6.924 (175.9)	3/4 (19)	2
	1 (25.4)	...	13/4 (44.4)	6.924 (175.9)	3/4 (19)	2

FIG. 7 Adapter Male Thread End

specified in the purchase order or contract, a report of the test results shall be furnished.

14. Product Marking

14.1 Each adapter and coupler shall be marked in accordance with MSS-SP-25 including the following:

- 14.1.1 ASTM designation of this specification.
- 14.1.2 "CI I" if it is a Class I adapter or coupler.

15. Packaging and Package Marking

15.1 The couplings shall be packed according to the manufacturer's standard practice, providing reasonable care to prevent lost or damaged parts in shipment.

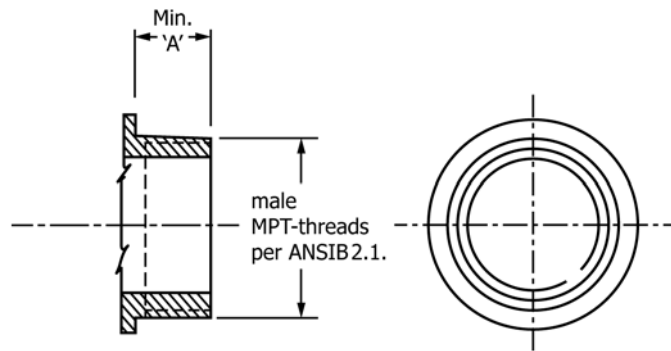
15.2 Containers and packages shall be marked or tagged to adequately identify the contents or purchaser's order number.

16. Quality Assurance

16.1 The manufacturer of the quick disconnect couplings shall maintain the quality of the couplings that are designed, tested, and marked in accordance with this specification. At no time shall a coupling be sold with this specification designation that does not meet the requirements herein.

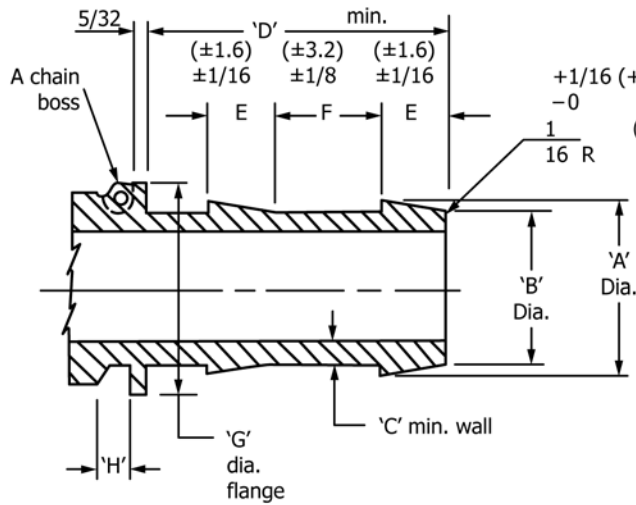
17. Keywords

17.1 adapter; cam handle; couplings; quick-disconnect

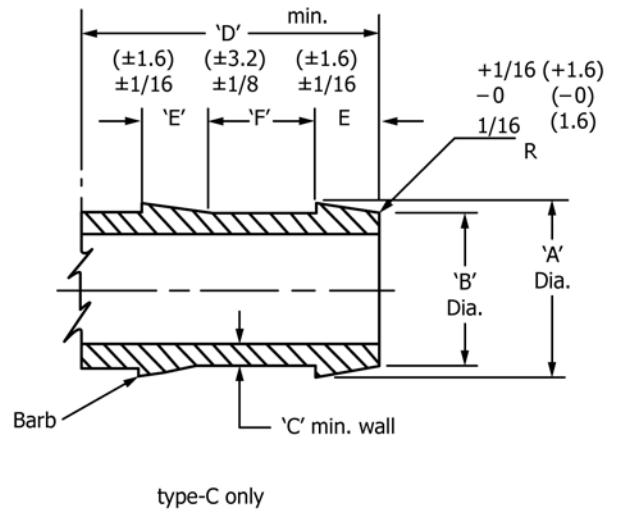


Size	Dimensions, in.
	(mm)
	A
	$\frac{5}{8}$
$\frac{1}{2}$	(15.9)
	$\frac{9}{8}$
$\frac{3}{4}$	(15.9)
	$\frac{7}{8}$
1	(22.2)
	$\frac{7}{8}$
$1\frac{1}{4}$	(22.2)
	$\frac{7}{8}$
$1\frac{1}{2}$	(22.2)
	$1\frac{5}{16}$
2	(23.8)
	$1\frac{5}{16}$
$2\frac{1}{2}$	(33.3)
	$1\frac{7}{16}$
3	(36.5)
	$1\frac{9}{16}$
4	(39.7)
	$1\frac{3}{4}$
5	(44.4)
	$1\frac{3}{4}$
6	(44.4)

FIG. 8 Coupler Male Thread End



type-E only



type-C only

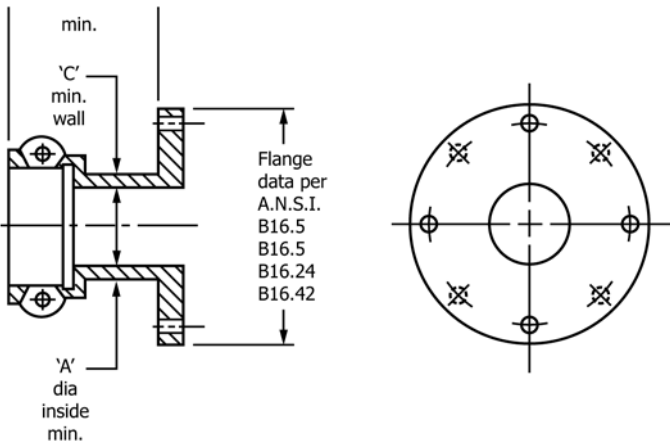
NOTE 1—^A Chain boss provided at the manufacturer's discretion.

NOTE 2—Additional barbs may be provided at the manufacturer's discretion.

Unidentified tolerance's = +1/32 (±0.8)

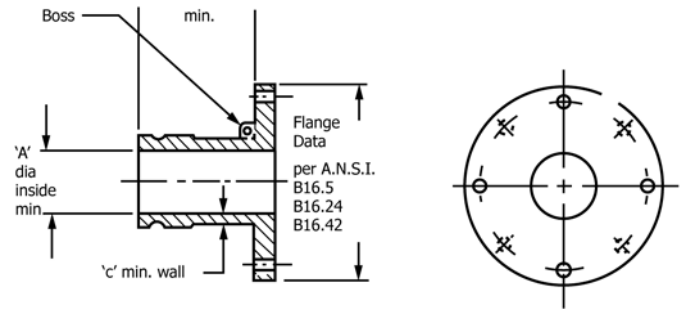
Size	Dimensions, in. (mm)							
	A	B	C	D	E	F	G	H
1/2	19/32 (15.1)	3/16 (12.3)	3/32 (2.4)	15/16 (33.3)	1/4 (6.3)	3/4 (19)	1 1/4 (31.7)	3/8 (9.5)
	27/32 (21.4)	47/64 (18.6)	3/32 (2.4)	2 (50.8)	1/4 (6.3)	3/4 (19)	1 1/4 (31.7)	3/8 (9.5)
3/4	15/64 (27.4)	63/64 (25)	3/32 (2.4)	2 1/4 (57.1)	3/8 (9.5)	3/4 (19)	1 5/8 (41.3)	7/16 (11.1)
	1 11/32 (34.1)	1 15/64 (31.3)	1/8 (3)	2 1/4 (57.1)	3/8 (9.5)	13/16 (20.6)	2 (50.8)	7/16 (11.1)
1 1/4	1 19/32 (40.5)	1 31/64 (37.7)	1/8 (3)	2 3/8 (60.3)	3/8 (9.5)	13/16 (20.6)	2 5/16 (58.7)	7/16 (11.1)
	2 29/32 (53.2)	1 31/32 (50)	1/8 (3)	2 3/4 (69.8)	3/8 (9.5)	1 1/8 (28.6)	2 1 1/16 (68.3)	7/16 (11.1)
2	2 5/8 (66.7)	2 31/64 (63.1)	5/32 (4)	3 1/8 (79.4)	7/16 (11.1)	1 3/8 (34.9)	3 1/16 (81)	9/16 (14.3)
	3 3/8 (79.4)	2 31/32 (75.4)	5/32 (4)	4 (101.6)	1/2 (12.7)	1 9/16 (39.7)	3 25/32 (96)	9/16 (14.3)
3	4 1/8 (104.8)	3 31/32 (100.8)	7/32 (5.6)	4 1/4 (107.9)	1/2 (12.7)	1 3/4 (44.4)	4 7/8 (123.8)	9/16 (14.3)
	5 1/8 (130.2)	5 (127)	7/32 (5.6)	4 1/2 (114.3)	1/2 (12.7)	1 3/4 (44.4)	6 9/16 (166.7)	5/8 (15.9)
5	6 1/8 (155.6)	6 (152.4)	7/32 (5.6)	5 1/2 (139.7)	1/2 (12.7)	2 5/8 (66.7)	7 1/8 (181)	3/4 (19)

FIG. 9 Hose Shank End



Size	Dimensions, in. (mm)		
	A	B	C
1/2	1 ¹ / ₁₆ (17.5)	2 ⁵ / ₈ (66.7)	3 ³ / ₃₂ (2.4)
3/4	1 ³ / ₁₆ (20.6)	2 ⁵ / ₈ (66.7)	3 ³ / ₃₂ (2.4)
1	1 (25.4)	3 ¹ / ₁₆ (77.8)	3 ³ / ₃₂ (2.4)
1 1/4	1 ⁵ / ₁₆ (33.3)	4 (101.6)	1 ¹ / ₈ (3)
1 1/2	1 ⁹ / ₁₆ (39.7)	4 (101.6)	1 ¹ / ₈ (3)
2	1 ¹⁵ / ₁₆ (49.2)	4 ¹ / ₄ (107.9)	1 ¹ / ₈ (3)
2 1/2	2 ⁵ / ₁₆ (58.7)	4 ¹ / ₄ (107.9)	5 ³ / ₃₂ (4)
3	2 ⁷ / ₈ (73)	4 ⁵ / ₈ (117.5)	5 ³ / ₃₂ (4)
4	3 ¹ / ₂ (88.9)	4 ⁵ / ₈ (117.5)	7 ³ / ₃₂ (5.6)
5	4 ³ / ₈ (111.1)	5 ¹ / ₄ (133.3)	7 ³ / ₃₂ (5.6)
6	5 ¹ / ₂ (139.7)	6 ⁵ / ₈ (168.3)	7 ³ / ₃₂ (5.6)

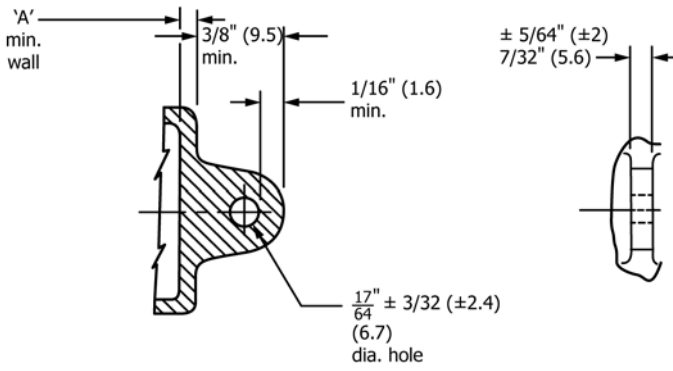
FIG. 10 Flanged Coupler ANSI Class 150



NOTE 1—Chain boss to be provided at the manufacturer's discretion.

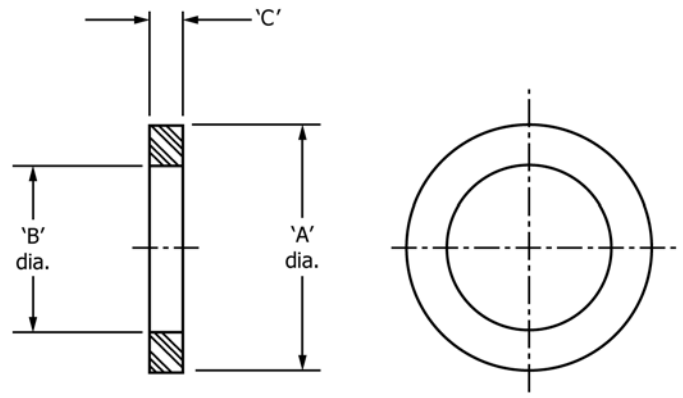
Size	Dimensions, in. (mm)		
	A	B	C
1/2	1 ⁹ / ₃₂ (15.1)	1 ³ / ₄ (44.4)	3 ³ / ₃₂ (2.4)
3/4	1 ¹ / ₁₆ (17.5)	1 ³ / ₄ (44.4)	3 ³ / ₃₂ (2.4)
1	1 ³ / ₁₆ (20.6)	2 ¹ / ₈ (54)	3 ³ / ₃₂ (2.4)
1 1/4	1 (25.4)	2 ³ / ₈ (60.3)	1 ¹ / ₈ (3)
1 1/2	1 ¹ / ₂ (32.5)	2 ⁵ / ₈ (66.7)	1 ¹ / ₈ (3)
2	1 ²¹ / ₃₂ (42.1)	2 ³ / ₄ (69.8)	1 ¹ / ₈ (3)
2 1/2	2 ¹ / ₁₆ (52.4)	2 ⁵ / ₈ (71.4)	5 ³ / ₃₂ (4)
3	2 ¹¹ / ₁₆ (68.3)	2 ⁷ / ₈ (73)	5 ³ / ₃₂ (4)
4	3 ¹ / ₁₆ (93.4)	2 ⁷ / ₈ (73)	7 ³ / ₃₂ (5.6)
5	4 ¹ / ₁₆ (119.1)	3 ¹ / ₂ (88.9)	7 ³ / ₃₂ (5.6)
6	5 ¹ / ₁₆ (144.5)	3 ¹ / ₂ (88.9)	7 ³ / ₃₂ (5.6)

FIG. 11 Flanged Adapter ANSI Class 150



Size	Dimensions, in. (mm)
	A
1/2	3/32 (2.4)
3/4	3/32 (2.4)
1	3/32 (2.4)
1 1/4	1/8 (3)
1 1/2	1/8 (3)
2	1/8 (3)
2 1/2	5/32 (4)
3	5/32 (4)
4	7/32 (5.6)
5	7/32 (5.6)
6	7/32 (5.6)

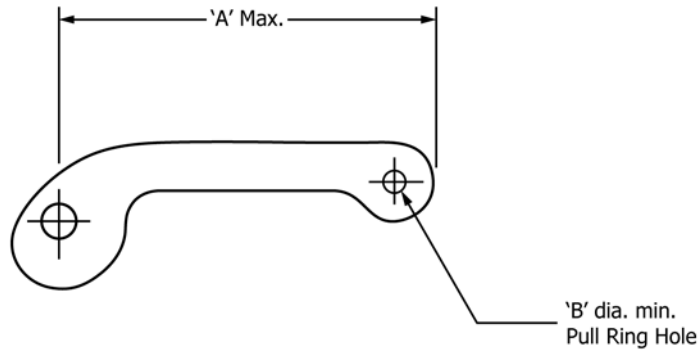
FIG. 12 Adapter Chain Boss End



NOTE 1—Unidentified Tolerance; Fractional = $\pm 1/64$ (± 0.4)

Size	Dimensions, in. (mm)			Minimum Gasket Compression for Proper Sealing
	A	B	C	
1/2	1 3/8 (34.9)	7/8 (22.2)	7/32 (5.6)	0.030 (0.762)
3/4	1 3/8 (34.9)	7/8 (22.2)	7/32 (5.6)	0.030 (0.762)
1	1 9/16 (39.7)	1 1/16 (27)	1/4 (6.3)	0.030 (0.762)
1 1/4	1 15/16 (49.2)	1 23/64 (34.5)	1/4 (6.3)	0.030 (0.762)
1 1/2	2 3/16 (55.6)	1 5/8 (41.3)	1/4 (6.3)	0.030 (0.762)
2	2 5/8 (66.7)	2 (50.8)	1/4 (6.3)	0.030 (0.762)
2 1/2	3 1/8 (79.4)	2 3/8 (60.3)	1/4 (6.3)	0.030 (0.762)
3	3 23/32 (94.5)	3 (76.2)	1/4 (6.3)	0.025 (0.635)
4	4 7/8 (123.8)	4 (101.6)	1/4 (6.3)	0.025 (0.635)
5	5 29/32 (150)	4 7/8 (123.8)	1/4 (6.3)	0.025 (0.635)
6	7 1/16 (179.4)	6 (152.4)	1/4 (6.3)	0.025 (0.635)

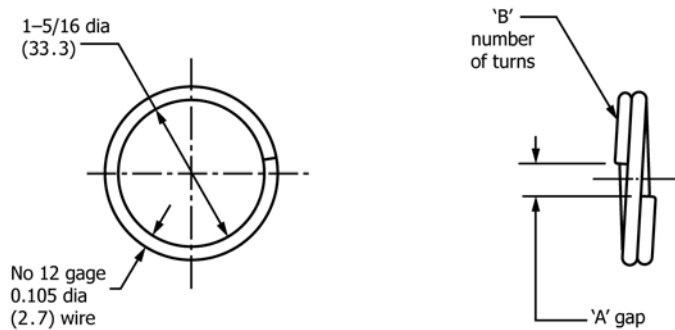
FIG. 13 Gasket



NOTE 1—Unidentified tolerance: fractional $\pm 1/64$ (± 0.4)

Size	Dimensions, in. (mm)	
	A	B
1/2	17/8	5/32
	(47.6)	(4)
3/4	17/8	5/32
	(47.6)	(4)
1"	17/8	5/32
	(47.6)	(4)
1 1/4	3	5/32
	(76.2)	(4)
1 1/2	3	5/32
	(76.2)	(4)
2	3	5/32
	(76.2)	(4)
2 1/2	3	5/32
	(76.2)	(4)
3	3 1/4	1/4
	(82.5)	(6.3)
4	3 1/4	1/4
	(82.5)	(6.3)
5	3 1/4	1/4
	(82.5)	(6.3)
6	4 1/2	1/4
	(114.3)	(6.3)

FIG. 14 Cam Handle



NOTE 1—Unidentified tolerance: $\pm 1/16$ (± 1.6); decimal ± 0.002 (± 0.05)

Size	Dimensions, in. (mm)	
	A	B
1/2	3/16	2
	(4.8)	
3/4	3/16	2
	(4.8)	
1"	3/16	2
	(4.8)	
1 1/4	3/16	2
	(4.8)	
1 1/2	3/16	2
	(4.8)	
2	3/16	2
	(4.8)	
2 1/2	3/16	2
	(4.8)	
3	1/4	3
	(6.3)	
4	1/4	3
	(6.3)	
5	1/4	3
	(6.3)	
6	1/4	3
	(6.3)	

FIG. 15 Pull Ring, Cam Handle

ASTM International takes no position respecting the validity of any patent rights asserted in connection with any item mentioned in this standard. Users of this standard are expressly advised that determination of the validity of any such patent rights, and the risk of infringement of such rights, are entirely their own responsibility.

This standard is subject to revision at any time by the responsible technical committee and must be reviewed every five years and if not revised, either reapproved or withdrawn. Your comments are invited either for revision of this standard or for additional standards and should be addressed to ASTM International Headquarters. Your comments will receive careful consideration at a meeting of the responsible technical committee, which you may attend. If you feel that your comments have not received a fair hearing you should make your views known to the ASTM Committee on Standards, at the address shown below.

This standard is copyrighted by ASTM International, 100 Barr Harbor Drive, PO Box C700, West Conshohocken, PA 19428-2959, United States. Individual reprints (single or multiple copies) of this standard may be obtained by contacting ASTM at the above address or at 610-832-9585 (phone), 610-832-9555 (fax), or service@astm.org (e-mail); or through the ASTM website (www.astm.org). Permission rights to photocopy the standard may also be secured from the Copyright Clearance Center, 222 Rosewood Drive, Danvers, MA 01923, Tel: (978) 646-2600; http://www.copyright.com/