



Standard Specification for Expanded-Metal Bulkhead Panels¹

This standard is issued under the fixed designation F1071; the number immediately following the designation indicates the year of original adoption or, in the case of revision, the year of last revision. A number in parentheses indicates the year of last reapproval. A superscript epsilon (ϵ) indicates an editorial change since the last revision or reapproval.

1. Scope

1.1 This specification covers steel expanded-metal bulkhead panels suitable for use in storerooms, shops, and as protection against personnel hazards.

1.2 The values stated in inch-pound units are to be regarded as the standard. The values given in parentheses are for information only.

2. Referenced Documents

2.1 *ASTM Standards*:²

A36/A36M Specification for Carbon Structural Steel
D3951 Practice for Commercial Packaging

2.2 *Other Documents*:

ABS Rules for Building and Classing Steel Vessels³
AWS D1.1 Structural Welding Code⁴

3. Classification

3.1 Bulkhead panels are furnished in three types as follows.

3.1.1 *Type I*—Universal bulkhead panels for use as either a right-hand or left-hand panel.

3.1.2 *Type II*—Right-hand bulkhead panel.

3.1.3 *Type III*—Left-hand bulkhead panel.

3.2 Bulkhead panels are furnished in two classes as follows.

3.2.1 *Class A*—Bulkhead panels, 2 ft (610 cm).

3.2.2 *Class B*—Bulkhead panels, 3 ft (915 cm).

3.3 Bulkhead panels Types II and III, Class A only, are furnished in three sizes as follows.

3.3.1 *Size 1*—76 in. (195 cm) high.

3.3.2 *Size 2*—64 in. (165 cm) high.

3.3.3 *Size 3*—40 in. (100 cm) high.

4. Ordering Information

4.1 Orders for expanded-metal panels under this specification shall include this specification number, type, class, and size.

5. Materials and Manufacture

5.1 *Materials*—See [Table 1](#).

5.2 *Manufacture*:

5.2.1 Welding shall be in accordance with AWS D1.1 or the ABS Rules for Building and Classing Steel Vessels.

5.2.2 Panels shall be welded and fabricated as shown in [Figs. 1-6](#).

5.2.3 After panels have been shipped to the contractor, the panels will be assembled into bulkheads by welding or bolting by others.

6. Tolerances

6.1 *Tolerances*— $\pm 1/16$ in. (1.5 mm).

7. Workmanship, Finish, and Appearance

7.1 Expanded-metal panels shall be free from all cracks, burrs, sharp edges, and other defects.

7.2 The panel manufacturer shall apply a nonhazardous corrosion-inhibiting primer coating to all panel assemblies.

8. Packaging and Package Marking

8.1 Expanded-metal bulkhead panels shall be individually packed for shipment and storage in accordance with Practice [D3951](#).

8.2 In addition to any special marking required by the contract or purchase order, each expanded-metal panel package shall be marked in accordance with Practice [D3951](#).

9. Keywords

9.1 bulkhead panels; expanded-metal bulkhead panels; panels; steel bulkhead panels

¹ This specification is under the jurisdiction of ASTM Committee F25 on Ships and Marine Technology and is the direct responsibility of Subcommittee F25.03 on Outfitting and Deck Machinery.

Current edition approved June 1, 2012. Published October 2012. Originally approved in 1987. Last previous edition approved in 2006 as F1071 – 94 (2006). DOI: 10.1520/F1071-94R12.

² For referenced ASTM standards, visit the ASTM website, www.astm.org, or contact ASTM Customer Service at service@astm.org. For *Annual Book of ASTM Standards* volume information, refer to the standard's Document Summary page on the ASTM website.

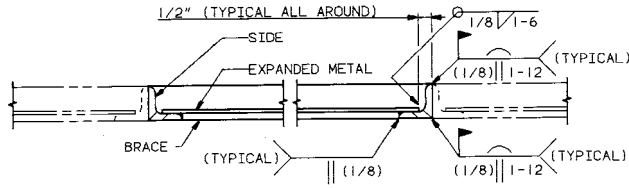
³ Available from the American Bureau of Shipping, ABS Plaza, 16855 Northchase Dr., Houston, TX 77060.

⁴ Available from American Welding Society, 550 N.W. Le Jeune Rd., Miami, FL 33126.

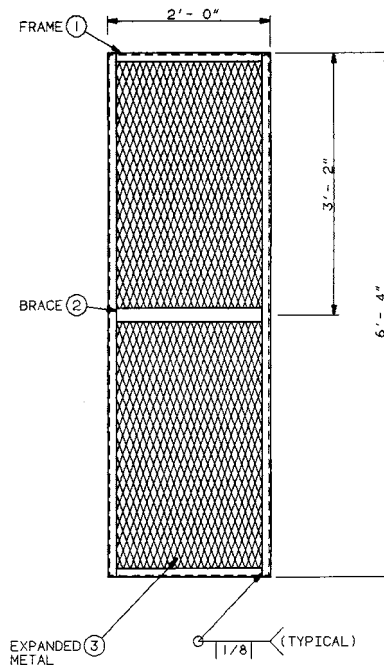
TABLE 1 Expanded-Metal Bulkhead Panel Materials

NOTE 1—1 in. = 25.4 mm.

Item Number	Description
1	Frame angle, 1¼ × 1¼ × ¼ in., Specification A36/A36M
2	Brace flatbar, ¼ × 2 in., Specification A36/A36M
3	Expanded metal 13-gage thick × ½-in. flat pattern × 23 in. wide, Specification A36/A36M
4	Expanded metal 13-gage thick × ½-in. flat pattern × 35 in. wide, Specification A36/A36M

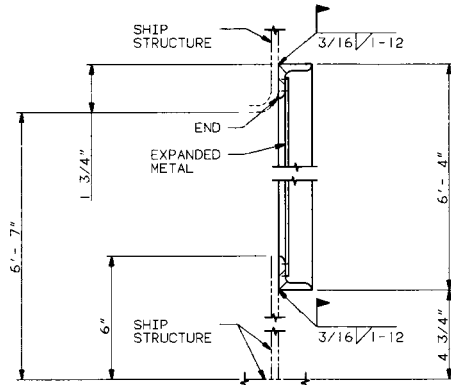


TYPICAL SECTIONAL PLAN VIEW
(SEVERAL PANELS WELDED OR BOLTED TOGETHER)



NOTE 1—1 in. = 25.4 mm.

FIG. 1 Expanded-Metal Bulkhead Panel—Type 1, Class A, Size 1



TYPICAL SECTIONAL SIDE VIEW
TYPE I PANEL SHOWN INSTALLED

NOTE 1—1 in. = 25.4 mm.

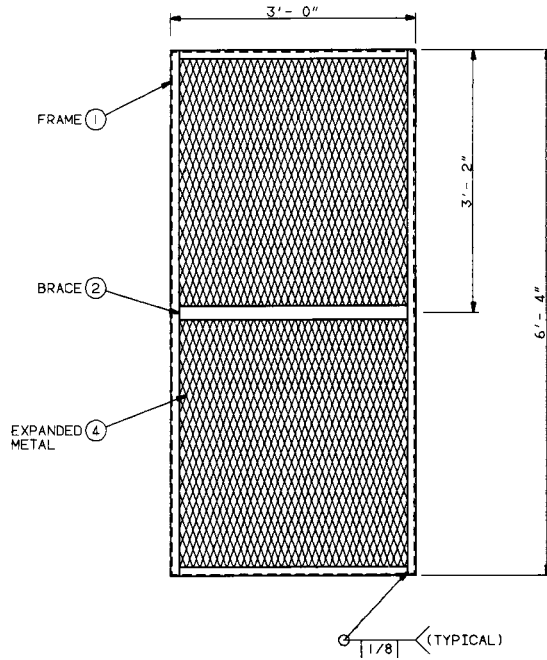
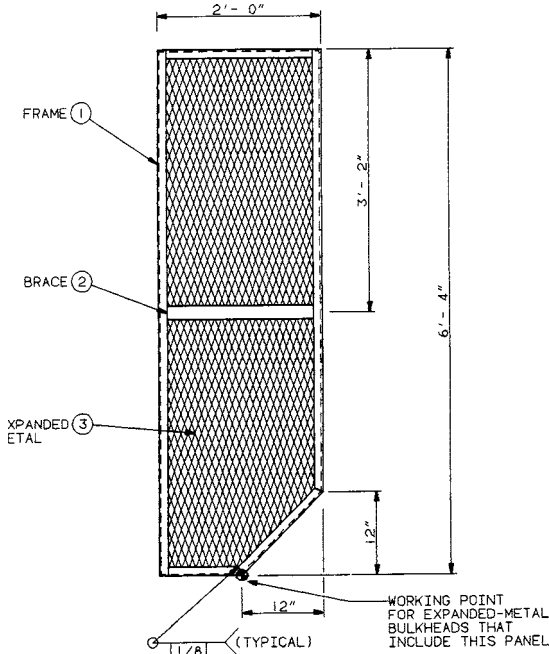


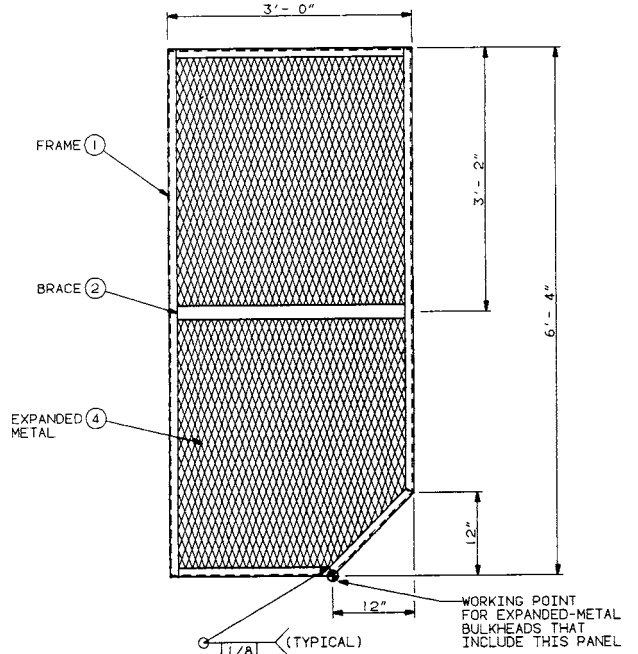
FIG. 2 Expanded-Metal Bulkhead Panel—Type I, Class B, Size 1



NOTE 1—Type III—Left hand not shown.

NOTE 2—1 in. = 25.4 mm.

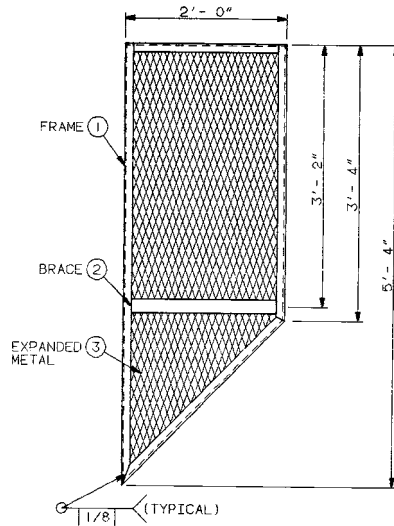
FIG. 3 Expanded-Metal Bulkhead Panel—Type II, Class A, Size 1



NOTE 1—Type III—Left hand not shown.

NOTE 2—1 in. = 25.4 mm.

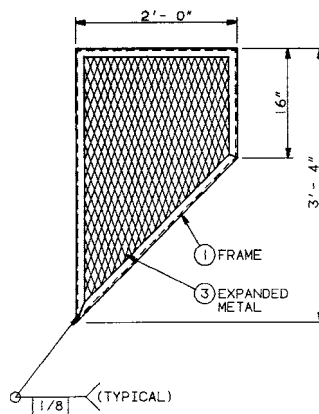
FIG. 4 Expanded-Metal Bulkhead Panel—Type II, Class B, Size 1



TYPE III - LEFT HAND
(NOT SHOWN)

NOTE 1—1 in. = 25.4 mm.

FIG. 5 Expanded-Metal Bulkhead Panel—Type II, Class A, Size 2



TYPE III - LEFT HAND
(NOT SHOWN)

NOTE 1—1 in. = 25.4 mm.

FIG. 6 Expanded-Metal Bulkhead Panel—Type II, Class A, Size 3

ASTM International takes no position respecting the validity of any patent rights asserted in connection with any item mentioned in this standard. Users of this standard are expressly advised that determination of the validity of any such patent rights, and the risk of infringement of such rights, are entirely their own responsibility.

This standard is subject to revision at any time by the responsible technical committee and must be reviewed every five years and if not revised, either reapproved or withdrawn. Your comments are invited either for revision of this standard or for additional standards and should be addressed to ASTM International Headquarters. Your comments will receive careful consideration at a meeting of the responsible technical committee, which you may attend. If you feel that your comments have not received a fair hearing you should make your views known to the ASTM Committee on Standards, at the address shown below.

This standard is copyrighted by ASTM International, 100 Barr Harbor Drive, PO Box C700, West Conshohocken, PA 19428-2959, United States. Individual reprints (single or multiple copies) of this standard may be obtained by contacting ASTM at the above address or at 610-832-9585 (phone), 610-832-9555 (fax), or service@astm.org (e-mail); or through the ASTM website (www.astm.org). Permission rights to photocopy the standard may also be secured from the ASTM website (www.astm.org/COPYRIGHT/).