



Standard Specification for Doors, Double, Gastight/Airtight, Individually Dogged, for Marine Use¹

This standard is issued under the fixed designation F1068; the number immediately following the designation indicates the year of original adoption or, in the case of revision, the year of last revision. A number in parentheses indicates the year of last reapproval. A superscript epsilon (ε) indicates an editorial change since the last revision or reapproval.

1. Scope

1.1 This specification, to be used in conjunction with Specification F1073, covers the principal dimensions and the mechanical requirements for manufacturing steel and aluminum individually dogged, airtight/gastight double doors for personnel access through bulkheads, complete with frames, intended to maintain the structural and the air and gas tightness integrity of the bulkheads.

1.2 The values stated in inch-pound units are to be regarded as the standard. The values given in parentheses are for information only.

1.3 The following precautionary caveat pertains only to the Test Methods portion, Section 6, of this specification: *This standard does not purport to address the safety concerns associated with its use. It is the responsibility of the user of this standard to establish appropriate safety and health practices and determine the applicability of regulatory limitations prior to use.*

2. Referenced Documents

2.1 ASTM Standards:²

A36/A36M Specification for Carbon Structural Steel
A131/A131M Specification for Structural Steel for Ships
B209 Specification for Aluminum and Aluminum-Alloy Sheet and Plate
F1073 Specification for Door Fittings, for Watertight /Gastight /Airtight, Weathertight, and Non-Tight Doors, for Marine Use

2.2 ABS Standard:

Rules for Building and Classing Steel Vessels³

¹ This specification is under the jurisdiction of ASTM Committee F25 on Ships and Marine Technology and is the direct responsibility of Subcommittee F25.03 on Outfitting and Deck Machinery.

Current edition approved Oct. 1, 2012. Published October 2012. Originally approved in 1987. Last previous edition approved in 2007 as F1068 – 90 (2007). DOI: 10.1520/F1068-90R12.

² For referenced ASTM standards, visit the ASTM website, www.astm.org, or contact ASTM Customer Service at service@astm.org. For *Annual Book of ASTM Standards* volume information, refer to the standard's Document Summary page on the ASTM website.

³ Available from American Bureau of Shipping (ABS), ABS Plaza, 16855 Northchase Dr., Houston, TX 77060, http://www.eagle.org.

2.3 Military Standards:

MIL-R-900 Rubber Gasket Material, 45 Durometer Hardness⁴

MIL-C-81706 Coating, Aluminum and Aluminum Alloys⁴

MIL-P-24441 Epoxy-Polyamide Paint⁴

DoD-STD-2138 Metal Sprayed Coating System for Corrosion Protection⁴

TT-E-490 Enamel, Silicone Alkyd Copolymer, Semi-Gloss, Exterior⁴

ZZ-R-765 Rubber, Silicone⁴

3. Ordering Information

3.1 Ordering for doors under this specification shall include the following:

3.1.1 Material of doors,

3.1.2 Nominal and ASTM designations, fixed lights or no lights,

3.1.3 Quantity, and

3.1.4 Location of active and inactive panels.

3.2 Inspection and acceptance of doors shall be agreed upon between the purchaser and the supplier.

4. Construction, Shape, and Dimensions

4.1 The construction, shape, and clear opening dimensions shall be as shown in Fig. 1 and Table 1; in addition, they shall conform to the following requirements:

4.1.1 Door frames shall be supplied as indicated in Fig. 1. The corner radius inside of door frame shall be 8 in. (203 mm).

4.1.2 Dogs shall be located on the door panels unless otherwise specified.

4.1.3 The doors shall be fitted with dogs, hinges, hasp and staple assemblies, grab handles, label plates, and hook assemblies.

4.1.4 The position of the grab handles shall be located at the center of the height of each door panel.

4.1.5 The components shall be attached to the steel doors. Components shall be attached to aluminum doors by either welding or bolting.

⁴ Available from Standardization Documents, Order Desk, Bldg. 4, Section D, 700 Robbins Ave., Philadelphia, PA 19111-5094, ATTN: NPODS.

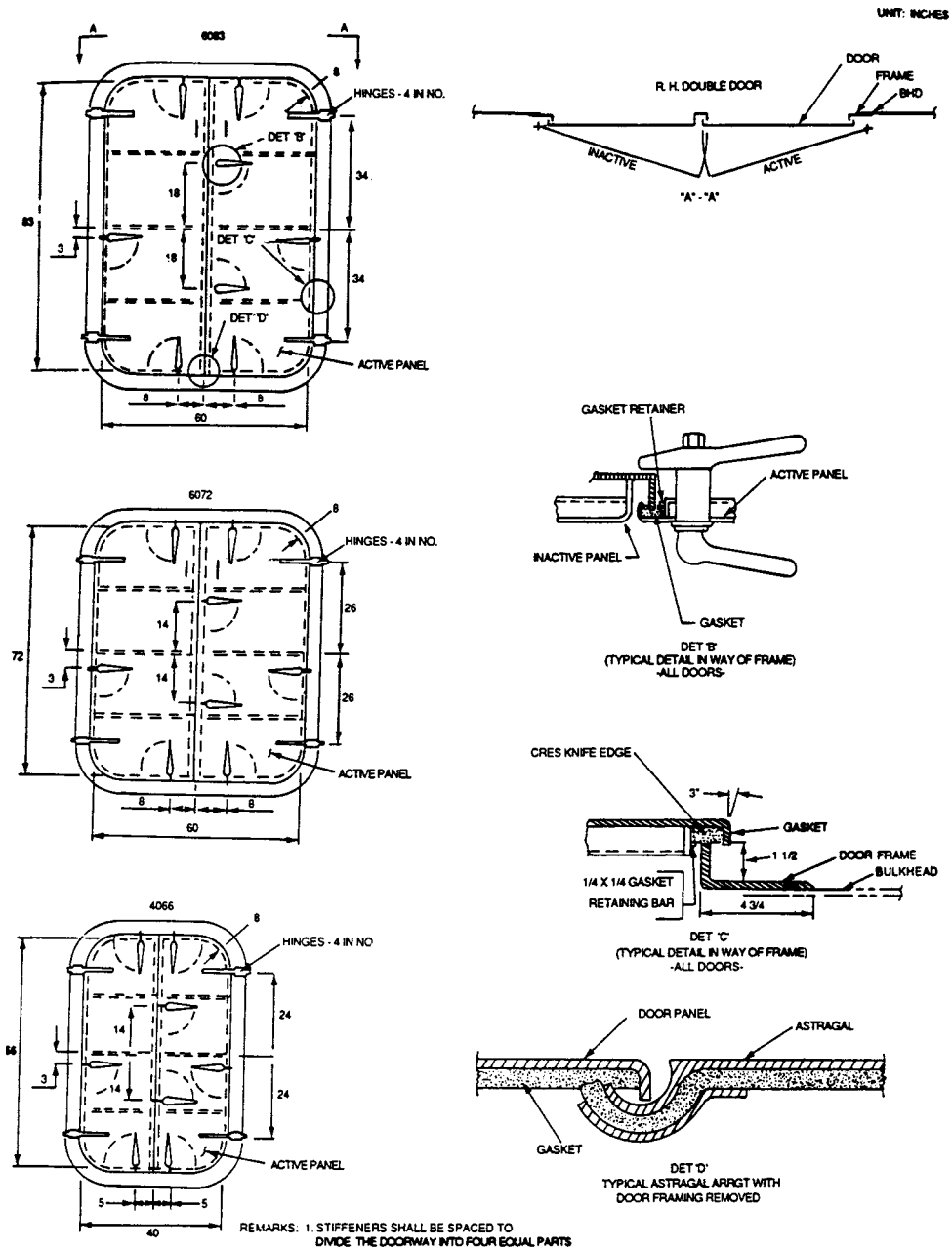


FIG. 1 Typical Double-Door Details

4.1.6 The material of standard door components shall be as given in Table 2.

4.1.7 Welding shall be done in accordance with ABS Rules for Building and Classing Steel Vessels.

5. Workmanship, Finish, and Appearance

5.1 All sharp and ragged edges shall be ground flush and removed for personnel protection.

5.1.1 The door panels, upon completion, shall be straight with a tolerance of $\pm 1/16$ in. (1.6 mm).

5.2 Pretreatment and priming of door components shall be as follows:

5.2.1 Steel door and components, except component No. 3, are to be coated with inorganic zinc rich primer, SSPC Paint 20 Type I-C, at 1.5 to 3.0 mils (MDFT), both sides, before assembly, following surface preparation in accordance with the manufacturer's instructions.

5.2.2 Aluminum door and components, except component No. 3, are to be pretreated with vinyl wash primer coating, followed with lead free, chromate free, anti-corrosion prime

TABLE 1 Steel and Aluminum Doors

NOTE 1—1 in. = 25.4 mm.

NOTE 2—2.2 lb = 1 kg.

NOTE 3—Weight does not include fittings.

Steel Doors						
Nominal Number	Clear Opening, in.	Size of Door, in.	Thickness of Door Plate, in.	Size of Stiffener, in.	Size of Frame, Angle, in.	Calculated Weight, lb
4066	40 × 66	42 × 68	1/4	2 × 1 1/4 × 1/4 angle	4 3/4 × 1 1/2 × 1/4	338
6072	60 × 72	62 × 74	1/4	2 × 1 1/2 × 1/4 angle	4 3/4 × 1 1/2 × 1/4	503
6083	60 × 83	62 × 85	1/4	2 1/2 × 1 1/2 × 1/4 angle	4 3/4 × 1 1/2 × 1/4	569
Aluminum Doors						
4066	40 × 66	42 × 68	1/4	3 × 3 × 3/8 'T' bar	4 3/4 × 2 × 3/8	171.2
6072	60 × 72	62 × 74	1/4	3 × 3 × 3/8 'T' bar	4 3/4 × 2 × 3/8	238.4
6083	60 × 83	62 × 85	1/4	3 × 3 × 3/8 'T' bar	4 3/4 × 2 × 3/8	265.5

TABLE 2 Standard Door Material

Number	Component	Steel	Aluminum Alloy
1	Door panels	Specifications A36/A36M or A131/A131M	Specification B209
2	Gasket retainer	Specifications A36/A36M or A131/A131M	Specification B209
3	Gasket	Neoprene 45 Durometer or equal	MIL-R-900
4	Stiffeners	Specifications A36/A36M or A131/A131M	Specification B209
5	Door frame	Specifications A36/A36M or A131/A131M	Specification B209

coating. Pretreatment and primer are to be applied before assembly, following surface preparation in accordance with the manufacturer's instructions.

6. Test Methods

6.1 Design all doors with their respective fittings from the inside (stiffener side) to a test head of 5 psi (34 kPa) and a proof test of 7.5 psi (50 kPa) to ensure no deformation of the panel.

6.2 Before delivery certify the doors for gastight/airtight integrity.

7. Product Marking

7.1 Each door shall be marked with the purchase order number by attaching a CRES label plate to the door panel using letters at least 1/2 in. (13 mm) high, designating the ASTM

designation number, nominal number, thickness of the door plate, and direction of opening. Other markings may be in paint.

7.2 Label plates shall be screwed or bolted to the door panel on steel and aluminum doors, but in no way adversely affect the airtightness or gas tightness.

8. Packaging and Package Marking

8.1 Doors shall be crated or attached to a pallet in a manner acceptable for shipment by a common carrier. The door and door frame assembly shall be shipped as one unit with the gasket protected from knife edges by an inserted partition.

9. Keywords

9.1 airtight; dogged; doors; double doors; gastight; marine; ship

SUPPLEMENTARY REQUIREMENTS

The following supplementary requirements shall apply only when specified by the contract or order.

S1. Painting

S1.1 Pretreatment and priming of door components shall be metal spray coating in accordance with DoD-STD-2138, Type II on both sides prior to assembly.

S1.2 Aluminum door and components shall be treated with a chemical conversion coating MIL-C-81706, second primed with one coat epoxy polyamide primer (Formula 150 of MIL-P-24441) alkyd haze-gray (TT-E-490 or equal). Apply

coating before assembly, following surface preparation in accordance with the manufacturer's instruction.

S2. Internal Pressure

S2.1 Design and proof test pressures other than 5 and 7.5 psi (34 and 52 kPa), respectively, if required, shall be indicated.

S2.2 Clear openings other than those specified in Table 1, if required, shall be indicated.

S3. Special Heat Resisting Gaskets

S3.1 Special heat resisting gaskets in accordance with ZZ-R-765, Class 3B, Grade 30 are to be installed.

S4. Aluminum Doors

S4.1 Aluminum doors for 5 psi (34 kPa) internal and external pressures are to be indicated.

S5. Additional Test Requirements

S5.1 Test requirements, when indicated, shall allow 1 out of 50 doors to be tested for 1.5 times the test requirements performed by the manufacturer.

ASTM International takes no position respecting the validity of any patent rights asserted in connection with any item mentioned in this standard. Users of this standard are expressly advised that determination of the validity of any such patent rights, and the risk of infringement of such rights, are entirely their own responsibility.

This standard is subject to revision at any time by the responsible technical committee and must be reviewed every five years and if not revised, either reapproved or withdrawn. Your comments are invited either for revision of this standard or for additional standards and should be addressed to ASTM International Headquarters. Your comments will receive careful consideration at a meeting of the responsible technical committee, which you may attend. If you feel that your comments have not received a fair hearing you should make your views known to the ASTM Committee on Standards, at the address shown below.

This standard is copyrighted by ASTM International, 100 Barr Harbor Drive, PO Box C700, West Conshohocken, PA 19428-2959, United States. Individual reprints (single or multiple copies) of this standard may be obtained by contacting ASTM at the above address or at 610-832-9585 (phone), 610-832-9555 (fax), or service@astm.org (e-mail); or through the ASTM website (www.astm.org). Permission rights to photocopy the standard may also be secured from the ASTM website (www.astm.org/COPYRIGHT/).