



Standard Specification for Steel Emergency Gear Stowage Locker¹

This standard is issued under the fixed designation F1018; the number immediately following the designation indicates the year of original adoption or, in the case of revision, the year of last revision. A number in parentheses indicates the year of last reapproval. A superscript epsilon (ϵ) indicates an editorial change since the last revision or reapproval.

1. Scope

1.1 This specification covers the design, material, and manufacture of steel emergency gear stowage lockers.

1.2 Emergency gear lockers shall be of four types (see Section 3).

1.3 The values stated in inch-pound units are to be regarded as standard. The values given in parentheses are mathematical conversions to SI units that are provided for information only and are not considered standard.

2. Referenced Documents

2.1 ASTM Standards:²

- A36/A36M Specification for Carbon Structural Steel
- A276 Specification for Stainless Steel Bars and Shapes
- A366/A366M Specification for Commercial Steel (CS) Sheet, Carbon, (0.15 Maximum Percent) Cold-Rolled (Withdrawn 2000)³
- A513 Specification for Electric-Resistance-Welded Carbon and Alloy Steel Mechanical Tubing
- A563 Specification for Carbon and Alloy Steel Nuts
- B36/B36M Specification for Brass Plate, Sheet, Strip, and Rolled Bar
- B124/B124M Specification for Copper and Copper Alloy Forging Rod, Bar, and Shapes
- B176 Specification for Copper-Alloy Die Castings

2.2 ANSI Standards:⁴

- ANSI B18.1.1 Small Solid Rivets
- ANSI B18.6.3 Slotted and Recessed Head Machine Screws and Machine Screw Nuts
- ANSI B18.21.1 Lock Washers

¹ This specification is under the jurisdiction of ASTM Committee F25 on Ships and Marine Technology and is the direct responsibility of Subcommittee F25.03 on Outfitting and Deck Machinery.

Current edition approved Jan. 1, 2017. Published January 2017. Originally approved in 1986. Last previous edition approved in 2010 as F1018 – 87a (2010). DOI: 10.1520/F1018-87AR17.

² For referenced ASTM standards, visit the ASTM website, www.astm.org, or contact ASTM Customer Service at service@astm.org. For *Annual Book of ASTM Standards* volume information, refer to the standard's Document Summary page on the ASTM website.

³ The last approved version of this historical standard is referenced on www.astm.org.

⁴ Available from American National Standards Institute (ANSI), 25 W. 43rd St., 4th Floor, New York, NY 10036, <http://www.ansi.org>.

ANSI B27.2 Plain Washers

2.3 Other Documents:

- ABS Rules for Building and Classing Steel Vessels⁵
- SSPC Specification 6⁶
- AWS D1.1 Welding Code⁷

3. Classification

3.1 Emergency gear lockers shall be classified in four types as follows:

3.1.1 *Type 1*—For stowage of one complete fireman's outfit, conforming to all requirements of all sections, figures, and details of this specification.

3.1.2 *Type 2*—For stowage of two complete firemen's outfits, conforming to all requirements of all sections, figures, and details of this specification.

3.1.3 *Type 3*—For stowage of one complete fireman's outfit, with locker dimensions in accordance with Figs. 2-4 (dimensions only), and conforming to the requirements of 3.2, 3.3, 4.1, 5.2.4, and Sections 6 and 7 inclusive.

3.1.4 *Type 4*—For stowage of two complete firemen's outfits, with locker dimensions in accordance with Figs. 2-4 (dimensions only), and conforming to the requirements of 3.2, 3.3, 4.1, 5.2.4, and Sections 6 and 7 inclusive.

3.2 One complete fireman's outfit shall consist of the following emergency gear (not included in this specification):

3.2.1 Self-contained breathing apparatus (24 by 14 by 11 in. (610 by 355 by 280 mm)).

3.2.2 Recharge air tank (7-in. (180-mm) diameter by 22 in. (560 mm) long).

3.2.3 Set protective clothing, including helmet, gloves, and boots.

3.2.4 Lifeline (150 ft (45 m), 18 by 18 by 10 in. (455 by 455 by 255 mm)).

3.2.5 Three-cell, explosion-proof flashlight with spare cells.

3.2.6 Flame safety lamp.

3.2.7 Fire axe.

⁵ Available from American Bureau of Shipping (ABS), ABS Plaza, 16855 Northchase Dr., Houston, TX 77060, <http://www.eagle.org>.

⁶ Available from Society for Protective Coatings (SSPC), 800 Trumbull Dr., Pittsburgh, PA 15205, <http://www.sspc.org>.

⁷ Available from American Welding Society (AWS), 8669 NW 36 St., #130, Miami, FL 33166-6672, <http://www.aws.org>.

3.3 In addition to the equipment listed in 3.2, each locker shall contain space for the following (not part of this specification):

3.3.1 First-aid kit, (1), (10 by 10 by 7 in. (255 by 255 by 180 mm)).

3.3.2 Spare air tanks, as space allows (see Figs. 2-4).

4. Ordering Information

4.1 Order using this ASTM designation, year of issue, locker type, and finish.

5. Materials and Manufacture

5.1 *Materials*—Materials shall be as specified in Table 1.

5.2 *Manufacture*:

5.2.1 Mandatory dimensions and construction details for Types 1 and 2 are as depicted in Figs. 1-9.

5.2.2 Mandatory dimensions for Types 3 and 4 are as shown in Fig. 2, Fig. 3, and Fig. 5, respectively, and applicable details of Sections “A-A” and “B-B.” Alternative construction details are permissible.

5.2.3 Construction details depicted in Figs. 4-9, while specifically referring to locker Type 2, shall be adapted to suit locker Type 1.

5.2.4 Welded construction, in accordance with ABS Rules for Building and Classing Steel Vessels or AWS D1.1 Structural Welding Code shall be used throughout, unless otherwise specified.

6. Dimensions and Tolerances

6.1 Dimensions are as indicated.

6.2 *Tolerance*— $\pm 1/16$ in. (1.5 mm).

7. Workmanship, Finish, and Appearance

7.1 Entire assembly shall be free of weld spatter, slag, splinters, sharp edges, burrs, projections, and other defects that may be hazardous to personnel.

7.2 The locker shall be cleaned after assembly to a commercial finish in accordance with SSPC Specification 6.

7.3 Unless otherwise required by the ordering documents, the unit shall have the manufacturer’s standard baked-on enamel finish.

7.3.1 The color shall be specified in the ordering documents.

8. Keywords

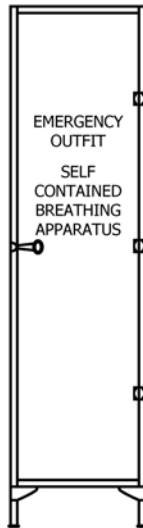
8.1 emergency gear; fireman’s locker; fireman’s outfit; locker; steel locker; stowage locker



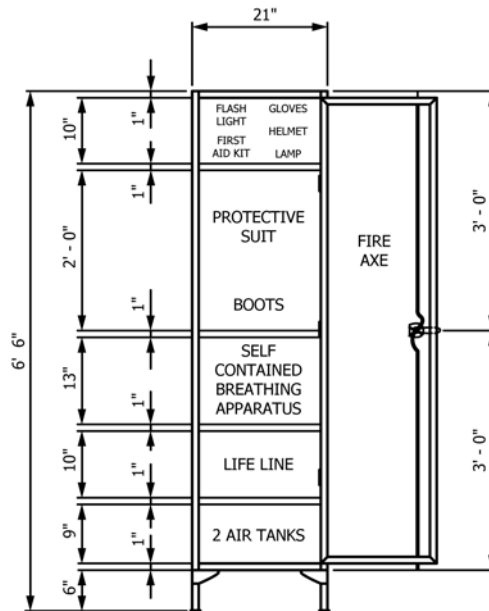
TABLE 1 Parts List for Locker Type 2

NOTE 1—1 in. = 25.4 mm.

	Description	Item Number	Quantity	ASTM, ANSI Documents
Locker top	sheet, 16 gage × 39 in. long × 30 in. wide, carbon steel	1	1	A366/A366M
Locker side, right	sheet, 16 gage × 72 in. long × 29 ⁵ / ₈ in. wide, carbon steel	2	1	A366/A366M
Locker side, left	sheet, 16 gage × 72 in. long × 29 ⁵ / ₈ in. wide, carbon steel	3	1	A366/A366M
Locker back	sheet, 16 gage × 72 in. long × 39 ¹ / ₄ in. wide, carbon steel	4	1	A366/A366M
Locker bottom	sheet, 16 gage × 42 in. long × 31 in. wide, carbon steel	5	1	A366/A366M
Door, right	sheet, 16 gage × 73 in. long × 25 in. wide, carbon steel	6	1	A366/A366M
Door, left	sheet, 16 gage × 73 in. long × 23 in. wide, carbon steel	7	1	A366/A366M
Shelf, full-width	sheet, 16 gage × 40 in. long × 26 in. wide, carbon steel	8	2	A366/A366M
Shelf, half-width	sheet, 16 gage × 26 in. long × 21 in. wide, carbon steel	9	2	A366/A366M
Partition, vertical	sheet, 16 gage × 52 in. long × 25 in. wide, carbon steel	10	1	A366/A366M
Corner bracket	sheet, 16 gage × 5 ¹ / ₂ in. long × 3 ³ / ₄ in. wide, carbon steel	11	4	A366/A366M
Lever handle, right door	cast brass	12	1	B176 (UNS C86500)
Keeper	brass	13	1	B124/B124M (UNS C67500)
Machine screw	oval-head, #10-24 UNC-2A × length to suit brass	14	14	ANSI B18.6.3 B124/B124M (UNS C67500)
Nut	hexagon machine, #10-24 UNC-2B brass	15	14	ANSI B18.6.3 B124/B124M (UNS C67500)
Escutcheon	sheet, 16 gage × 2 in. long × 1 ³ / ₈ in. wide, brass	16	1	B36/B36M
Locking rod, upper	round bar, ⁵ / ₁₆ -in. diameter × 37 in. long, carbon steel	17	1	A36/A36M
Lock rod, lower	round bar, ⁵ / ₁₆ -in. diameter × 37 in. long, carbon steel	18	1	A36/A36M
Guide, locking rod	tube, ¹ / ₂ -in. outside diameter × 0.065-in. wall thickness × 1 ¹ / ₈ -in. long, carbon steel	19	2	A513
Latch	sheet, 12 gage × 3 ¹ / ₁₆ in. long × 2 in. wide, carbon steel	20	1	A366/A366M
Reinforcing, latch	sheet, 16 gage × 5 in. long × 1 ³ / ₄ in. wide, carbon steel	21	1	A366/A366M
Lock washer	³ / ₈ -in. nominal size, carbon steel	22	1	ANSI B18.21.1
Rivet	brazier head, ⁵ / ₃₂ -in. diameter	23	2	ANSI B18.1.1
Rivet	flathead, ³ / ₁₆ -in. diameter	24	2	ANSI B 18.1.1
Insulation	wool felt, ³ / ₄ in. thick × 2 in. long × 1 ³ / ₈ in. wide	25	1	
Reinforcing clip	sheet, 12 gage × 1 ¹ / ₂ in. square, carbon steel	26	1	A366/A366M
Reinforcing clip	sheet, 16 gage × 1 ¹ / ₄ in. square, carbon steel	27	1	A366/A366M
Cam	sheet, 12 gage × 1 ⁷ / ₈ in. square, carbon steel	28	1	A366/A366M
Latch filler	sheet, 16 gage × 2 ⁷ / ₈ in. long × 2 ¹ / ₂ in. wide, carbon steel	29	1	A366/A366M
Strap	sheet, 16 gage × 2 ¹ / ₂ in. long × 1 in. wide, carbon steel	30	1	A366/A366M
Nut	hexagon, ³ / ₈ -16 UNC-2B, carbon steel	31	1	A563
Liner	sheet, 16 gage × 1 ¹ / ₂ in. long × 1 ¹ / ₈ in. wide, carbon steel	32	1	A366/A366M
Hinge	sheet, 16 gage × 3 in. long × 1 ¹ / ₂ in. wide, carbon steel included: ³ / ₁₆ -in. diameter × 1 ¹ / ₂ -in. long stainless steel pin	33	6	A366/A366M A276
Lock washer	³ / ₁₆ -in. nominal size, ⁷ / ₁₆ -in. outside diameter, carbon steel	34	12	ANSI B18.21.1
Liner, hinge	sheet, 16 gage × 2 in. long × ³ / ₄ in. wide, carbon steel	35	6	A366/A366M
Leg	angle, 1 × 1 × ¹ / ₈ × 6 in. long, carbon steel	36	4	A36/A36M
Foot pad	sheet, 10 gage × 1 ¹ / ₂ in. square, carbon steel	37	4	A366/A366M
Leg bracket	sheet, 10 gage × 8 in. long × 3 in. wide, carbon steel	38	4	A366/A366M
Leg reinforcement	sheet, 10 gage × 8 in. long × 1 ³ / ₄ in. wide—bend to form ⁷ / ₈ × ⁷ / ₈ -in. angle, carbon steel	39	4	A366/A366M
Machine screw	¹ / ₄ -20UNC-2A × ³ / ₄ in. long, carbon steel	40	16	ANSI B18.6.3
Nut	hexagon machine, ¹ / ₄ -20UNC-2B, carbon steel	41	16	ANSI B18.6.3
Lock washer	¹ / ₄ -in. nominal size, carbon steel	42	16	ANSI B18.21.1



ELEVATION - LOCKER TYPE

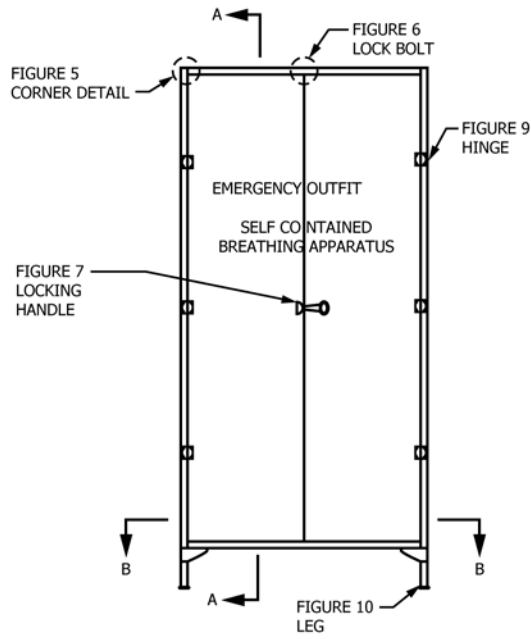


GENERAL ARRANGEMENT

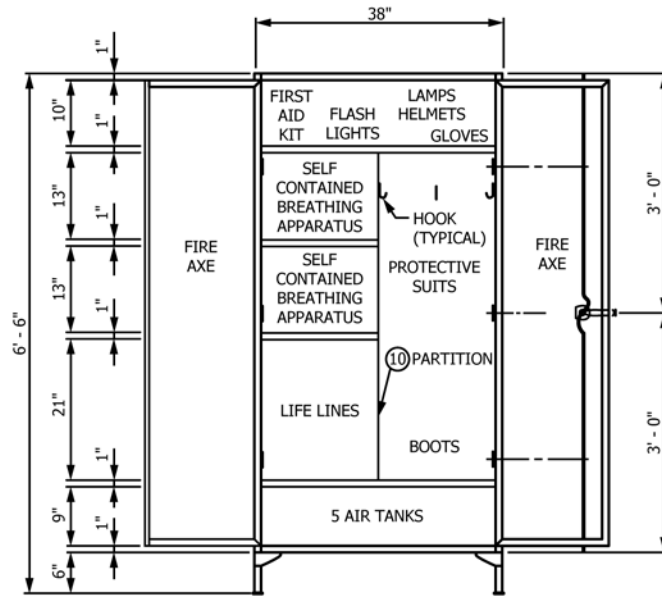
NOTE 1—1 in. = 25.4 mm.

NOTE 2—Approximately 2-in. high red lettering typical.

FIG. 1 Emergency Gear Storage Locker—Type 1



ELEVATION - LOCKER TYPE 2, 3, 4



GENERAL ARRANGEMENT

NOTE 1—1 in. = 25.4 mm.

NOTE 2—Approximately 2-in. high red lettering typical.

FIG. 2 Emergency Gear Stowage Locker—Types 2, 3, and 4

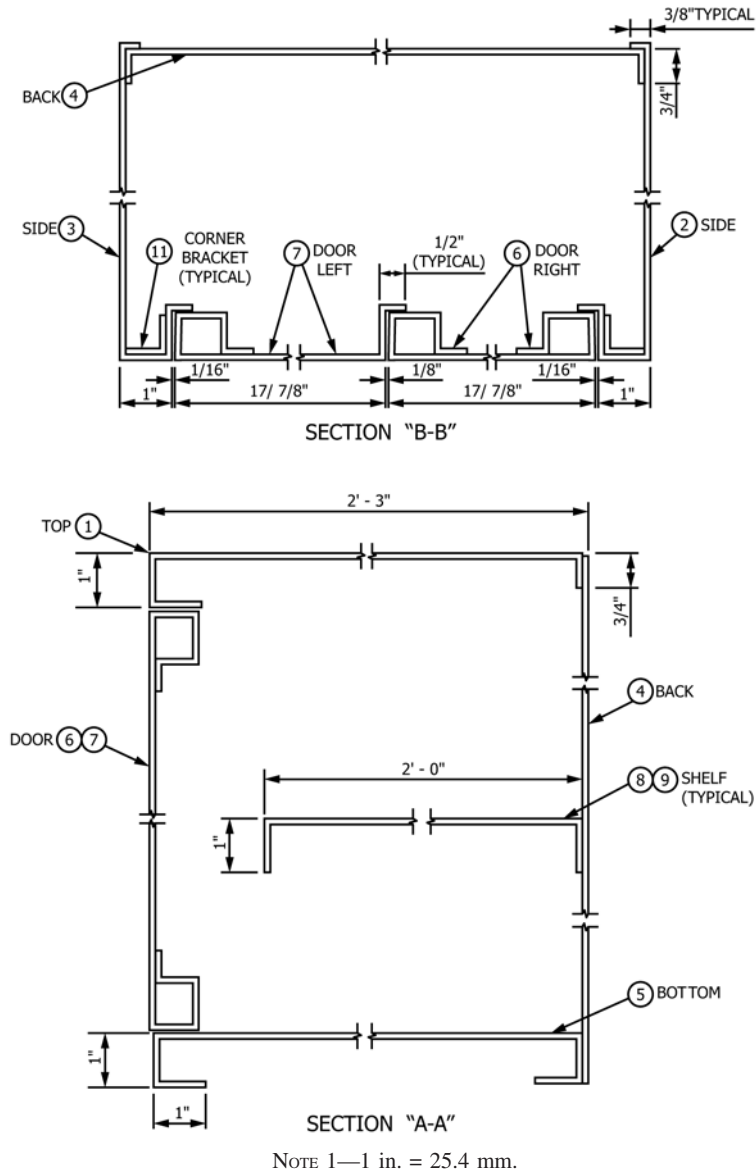
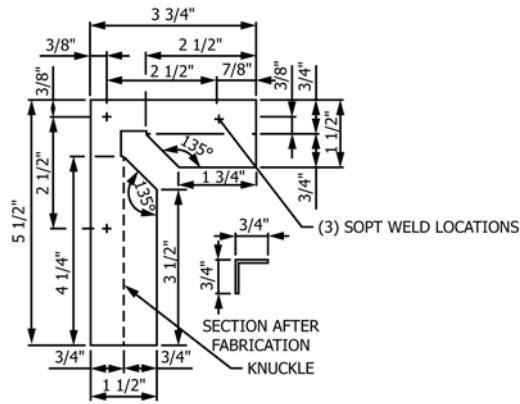
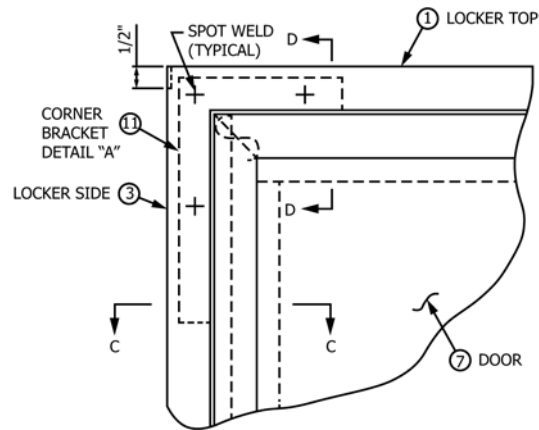
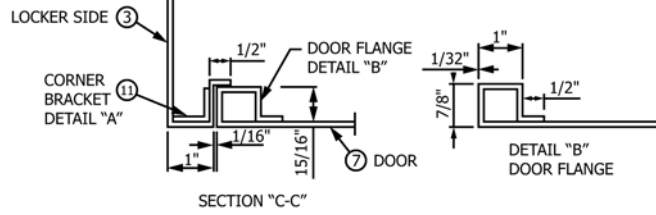
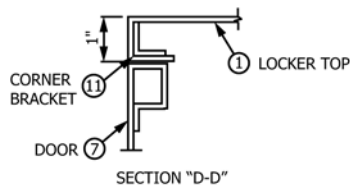


FIG. 3 Emergency Gear Stowage Locker—Types 2, 3, and 4 (Section "A-A")

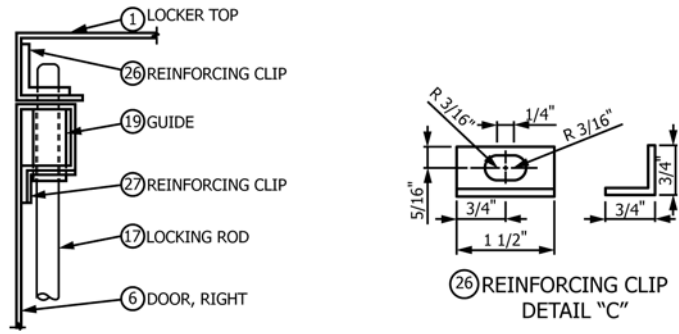


DETAIL "A"
CORNER BRACKET

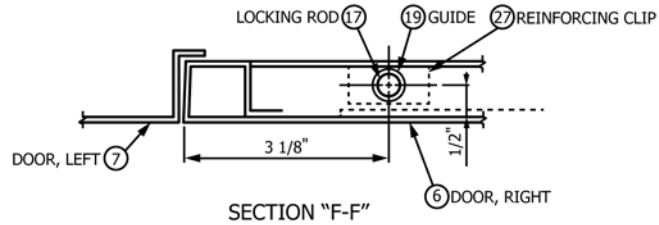


NOTE 1—1 in. = 25.4 mm.

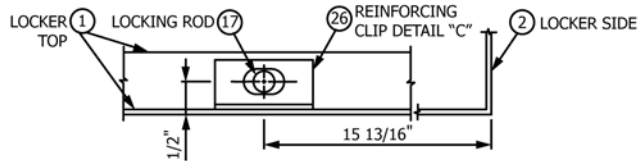
FIG. 4 Corner



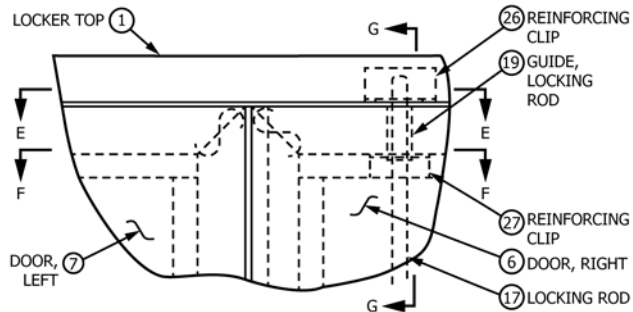
SECTION "G-G"



SECTION "F-F"



SECTION "E-E"



NOTE 1—1 in. = 25.4 mm.

FIG. 5 Lock Bolt

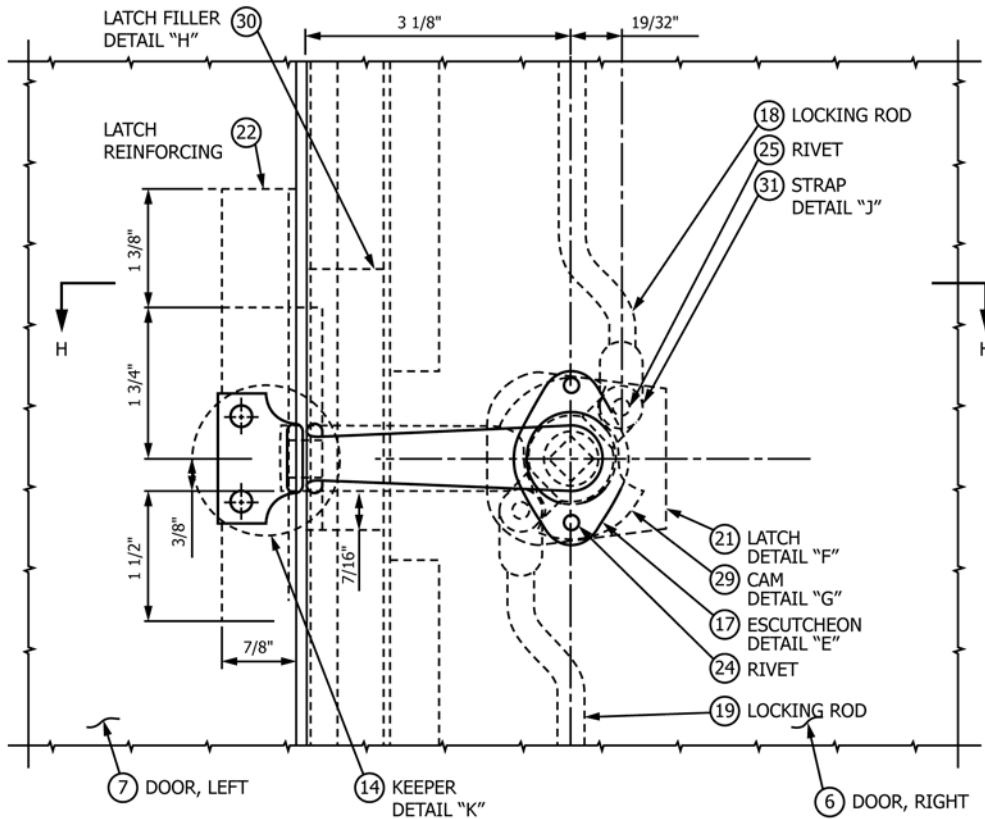
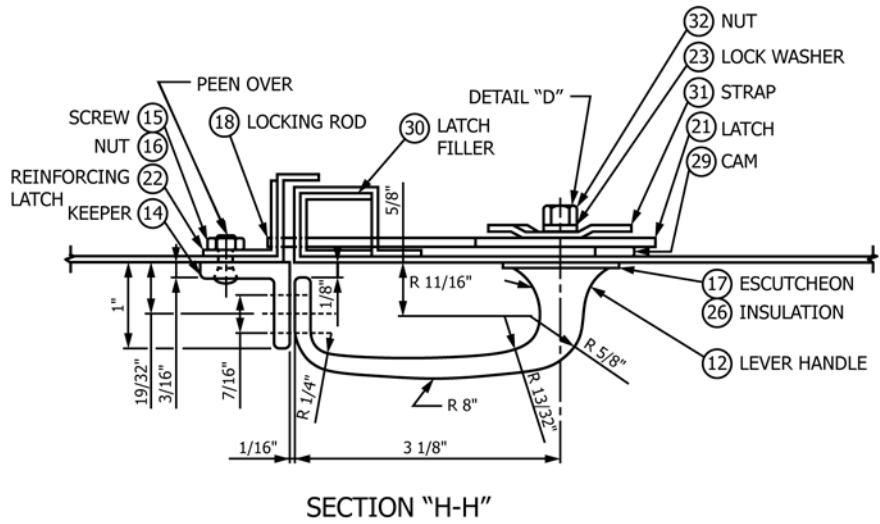
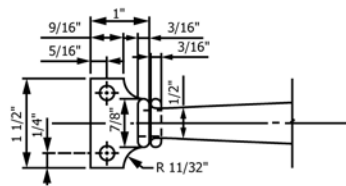
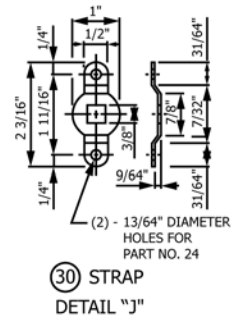
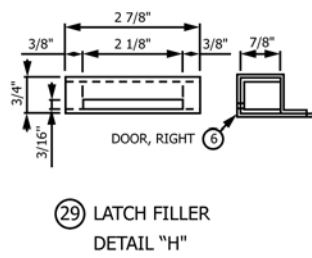
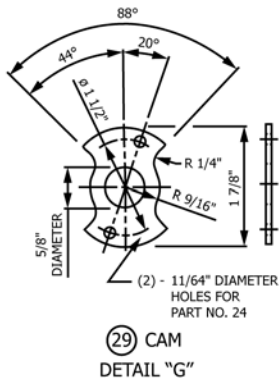
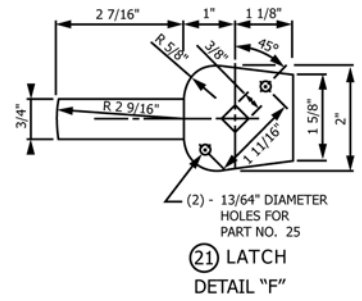
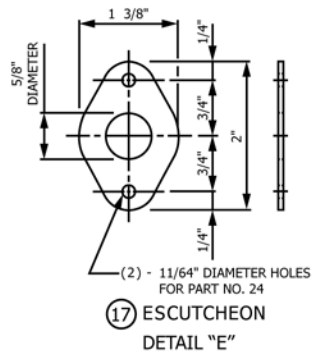
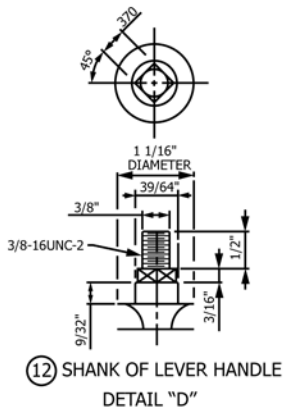
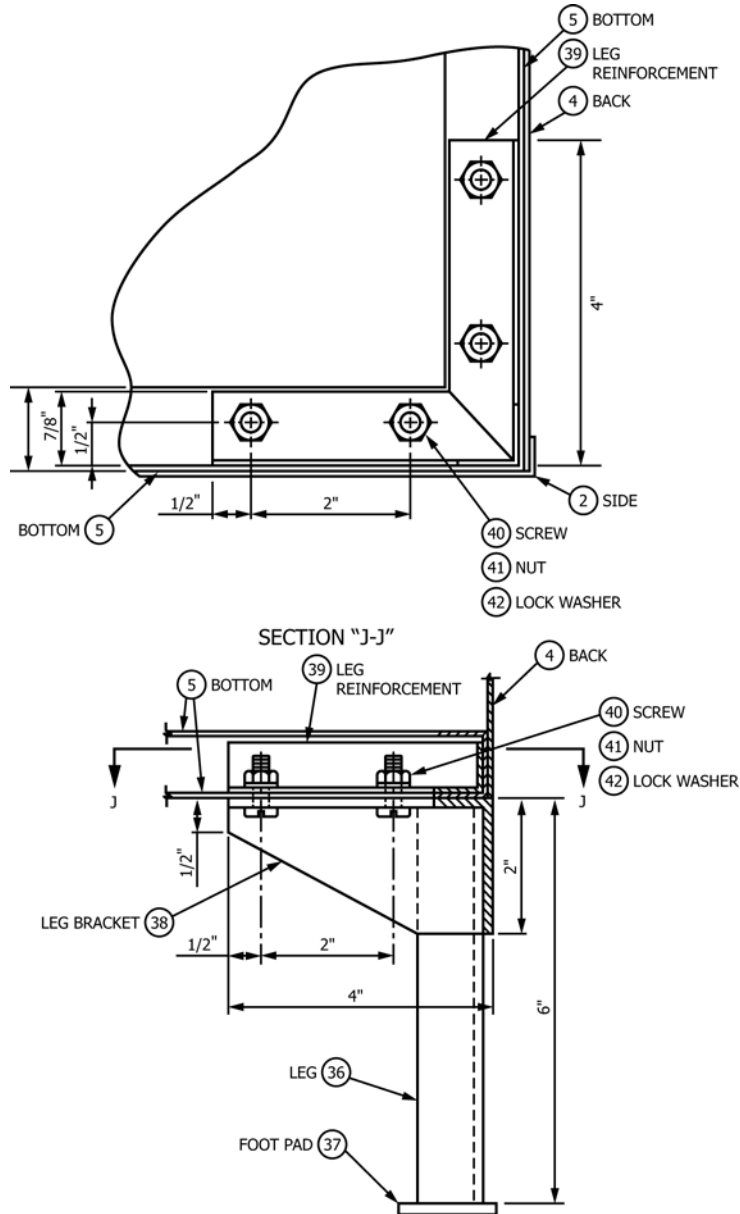


FIG. 6 Locking Handle



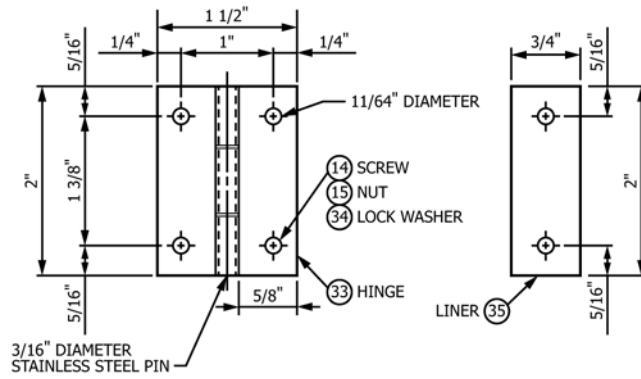
NOTE 1—1 in. = 25.4 mm.

FIG. 7 Latch—Miscellaneous Details



NOTE 1—1 in. = 25.4 mm.

FIG. 8 Leg



NOTE 1—1 in. = 25.4 mm.

FIG. 9 Hinge and Liner

ASTM International takes no position respecting the validity of any patent rights asserted in connection with any item mentioned in this standard. Users of this standard are expressly advised that determination of the validity of any such patent rights, and the risk of infringement of such rights, are entirely their own responsibility.

This standard is subject to revision at any time by the responsible technical committee and must be reviewed every five years and if not revised, either reapproved or withdrawn. Your comments are invited either for revision of this standard or for additional standards and should be addressed to ASTM International Headquarters. Your comments will receive careful consideration at a meeting of the responsible technical committee, which you may attend. If you feel that your comments have not received a fair hearing you should make your views known to the ASTM Committee on Standards, at the address shown below.

This standard is copyrighted by ASTM International, 100 Barr Harbor Drive, PO Box C700, West Conshohocken, PA 19428-2959, United States. Individual reprints (single or multiple copies) of this standard may be obtained by contacting ASTM at the above address or at 610-832-9585 (phone), 610-832-9555 (fax), or service@astm.org (e-mail); or through the ASTM website (www.astm.org). Permission rights to photocopy the standard may also be secured from the Copyright Clearance Center, 222 Rosewood Drive, Danvers, MA 01923, Tel: (978) 646-2600; http://www.copyright.com/