



Standard Test Method for Fire Tests of Penetration Firestop Systems¹

This standard is issued under the fixed designation E814; the number immediately following the designation indicates the year of original adoption or, in the case of revision, the year of last revision. A number in parentheses indicates the year of last reapproval. A superscript epsilon (ϵ) indicates an editorial change since the last revision or reapproval.

This standard has been approved for use by agencies of the U.S. Department of Defense.

INTRODUCTION

Characteristically fire spreads from one building compartment to another by the collapse of a barrier, or by openings through which flames or hot gases may pass, or by transfer of sufficient heat to ignite combustibles beyond the barrier. Test Methods E119 describe the method to be used to measure the fire-resistive performance of these barriers.

However, various techniques of providing for the distribution of services within a structure sometimes require that openings be made in fire-resistive walls and floors to allow the passage of such penetrating items as cables, conduits, pipes, trays, and ducts through to the adjacent compartment. Fire-stop material is installed into these openings to resist the spread of fire.

The performance of through-penetration firestops should be measured and specified according to a common standard that describes the method of fire exposure and rating criteria.

1. Scope

1.1 This test method is applicable to firestop systems of various materials and construction. Firestop systems are intended for use in openings in fire-resistive walls and floors that are evaluated in accordance with Test Methods E119.

1.2 Tests conducted in conformance with this test method record firestop system performance during the test exposure; but such tests shall not be construed to determine suitability of the firestop system for use after test exposure.

1.3 This test method also measures the resistance of firestop systems to an external force stimulated by a hose stream. However, this test method shall not be construed as determining the performance of the firestop system during actual fire conditions when subjected to forces such as failure of cable support systems and falling debris.

1.4 The intent of this test method is to develop data to assist others in determining the suitability of the firestops for use where fire resistance is required.

1.5 This test method does not apply to membrane penetrations of a floor-ceiling assembly or roof-ceiling assembly that are tested as part of the assembly in accordance with Test Methods E119.

1.6 This test method does not apply to membrane penetrations of load-bearing walls.

1.7 The values stated in inch-pound units are to be regarded as standard. The values given in parentheses are mathematical conversions to SI units that are provided for information only and are not considered standard.

1.8 *This standard is used to measure and describe the response of materials, products, or assemblies to heat and flame under controlled conditions, but does not by itself incorporate all factors required for fire-hazard or fire-risk assessment of materials, products, or assemblies under actual fire conditions.*

1.9 *This standard does not purport to address all of the safety concerns, if any, associated with its use. It is the responsibility of the user of this standard to establish appropriate safety and health practices and determine the applicability of regulatory limitations prior to use.*

1.10 The text of this standard references notes and footnotes which provide explanatory material. These notes and footnotes (excluding those in tables and figures) shall not be considered requirements of the standard.

1.11 *This international standard was developed in accordance with internationally recognized principles on standardization established in the Decision on Principles for the Development of International Standards, Guides and Recommendations issued by the World Trade Organization Technical Barriers to Trade (TBT) Committee.*

¹ This test method is under the jurisdiction of ASTM Committee E05 on Fire Standards and is the direct responsibility of Subcommittee E05.11 on Fire Resistance.

Current edition approved April 1, 2017. Published April 2017. Originally approved in 1981. Last previous edition approved in 2013 as E814 – 13a. DOI: 10.1520/E0814-17.

2. Referenced Documents

2.1 *ASTM Standards:*²

E119 Test Methods for Fire Tests of Building Construction and Materials

E176 Terminology of Fire Standards

E2226 Practice for Application of Hose Stream

2.2 *Other Documents:*

ANSI/UL 1479 Standard for Fire Tests of Through-Penetration Firestops

3. Terminology

3.1 *Definitions:*

3.1.1 For definitions of terms used in this test method refer to Terminology E176.

3.2 *Definitions of Terms Specific to This Standard:*

3.2.1 *firestop system, n*—a specific combination of penetrating item or items, the specific construction that is penetrated, and the materials or devices, or both, that seal the opening provided to accommodate one or more items that penetrate into or through a fire-resistance rated assembly.

3.2.1.1 *Discussion*—The materials and devices used to seal the opening around penetrating items are sometimes referred to as “firestops.” Note that it is not “firestops” that are tested by this standard, but rather “firestop systems.” Due to the complex interaction during a fire between the penetrant, the penetrated assembly, the materials and/or devices used to seal the penetration, and the specific size and shape of the opening, it is not possible to simply test the “firestop” to develop fire resistance data.

3.2.2 *membrane-penetration firestop system, n*—a firestop system that seals the opening provided to accommodate one or more items that penetrate the membrane on only one side of a fire-resistance rated assembly.

3.2.2.1 *Discussion*—Examples of penetrating items include cables, conduits, ducts, pipes, and electrical boxes.

3.2.3 *test assembly*—the wall or floor that is part of the firestop system being tested into which the test specimen(s) is (are) mounted or installed.

3.2.4 *test specimen*—the penetrating item or items and the materials or devices, or both, that seal the opening in the firestop system being tested.

3.2.5 *through-penetration firestop system, n*—a firestop system that seals the opening around penetrating items that pass through the entire fire-resistance rated assembly.

3.2.5.1 *Discussion*—Examples of penetrating items include cables, cable trays, conduits, ducts, and pipes.

4. Summary of Test Method

4.1 This method of testing through-penetration firestop systems exposes firestop systems to a standard temperature-time fire, and to a subsequent application of a hose stream.

² For referenced ASTM standards, visit the ASTM website, www.astm.org, or contact ASTM Customer Service at service@astm.org. For *Annual Book of ASTM Standards* volume information, refer to the standard’s Document Summary page on the ASTM website.

4.2 Ratings are established on the basis of the period of resistance to the fire exposure, prior to the first development of through openings, flaming on the unexposed surface, limiting thermal transmission criterion, and acceptable performance under application of a hose stream.

5. Significance and Use

5.1 This test method is used to determine the performance of a firestop system with respect to exposure to a standard time-temperature fire test and a hose stream test. The performance of a firestop system is dependent upon the specific assembly of materials tested including the number, type, and size of penetrations and the floors or walls in which it is installed.

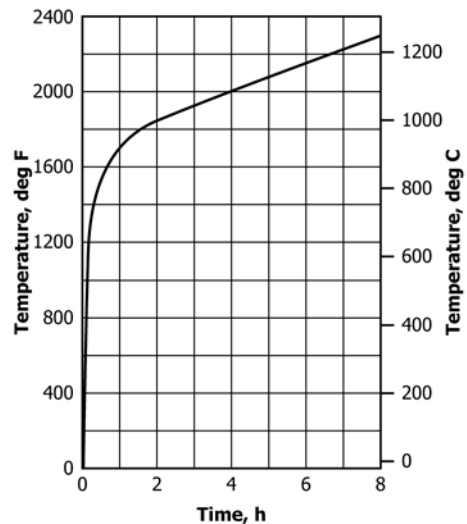
5.2 Two ratings shall be established for each firestop system. An *F* rating shall be based upon flame occurrence on the unexposed surface, while the *T* rating shall be based upon the temperature rise as well as flame occurrence on the unexposed side of the firestop system. These ratings, together with detailed performance data such as the location of through-openings and temperatures of penetrating items are intended to be one factor in assessing performance of firestop systems.

6. Control of Fire Tests

6.1 *Time-Temperature Curve*—The fire environment within the furnace shall be in accordance with the standard time-temperature curve shown in Fig. 1. The points on the curve that determine its character are:

- Ambient at 0 min
- 1000°F (538°C) at 5 min
- 1300°F (704°C) at 10 min
- 1550°F (843°C) at 30 min
- 1700°F (927°C) at 60 min
- 1850°F (1010°C) at 120 min
- 2000°F (1093°C) at 240 min
- 2300°F (1260°C) at 480 min or over

6.2 *Furnace Temperatures:*



NOTE 1—For a closer definition of the temperature-time curve, see Annex A1.

FIG. 1 Temperature-Time Curve

6.2.1 The temperature fixed by the curve shall be the average temperature obtained from the readings of thermocouples symmetrically disposed and distributed within the test furnace to show the temperature near all parts of the assembly. Use a minimum of three thermocouples, with not fewer than five thermocouples per 100 ft² (9.29 m²) of floor surface, and not fewer than nine thermocouples per 100 ft² of wall specimen surface.

6.2.2 Enclose the thermocouples in sealed protection tubes of such materials and dimensions that the time constant of the protected thermocouple assembly lies within the range (see Note 1) from 300 to 400 s. The exposed length of the pyrometer tube and thermocouple in the furnace chamber shall be not less than 12 in. (300 mm). Use of other types of protection tubes or pyrometers shall be acceptable provided that temperature measurements obtained in accordance with Fig. 1 are within the limit of accuracy that applies for furnace temperature measurements.

NOTE 1—A typical thermocouple meeting these time-constant requirements may be fabricated by fusion-welding the twisted ends of No. 18 B and S gage (0.040 in.) (1.02 mm) Chromel-Alumel wires, mounting the leads in porcelain insulators and inserting the assembly so the thermocouple bead is 0.50 in. (13 mm) from the sealed end of a standard weight, nominal 1/2-in. iron, steel, or Inconel pipe. (Inconel is a trademark of Inco Alloys, Inc., 3800 Riverside Dr., P.O. Box 1958, Huntington, WV 25720.) The time constant for this and for several other thermocouple assemblies was measured in 1976. The time constant may also be calculated from knowledge of its physical and thermal properties. See Research Report RR:E05-1001, available from ASTM Headquarters.

6.2.3 For floors, place the junction of the thermocouples 12 in. (300 mm) away from the exposed face of the assembly. In the case of walls, place the thermocouples 6.0 in. (150 mm) away from the exposed face.

6.2.4 Read the temperature at intervals not exceeding 5 min during the first 120 min. Thereafter, the intervals shall not exceed 10 min.

6.2.5 The accuracy of the furnace control shall be such that the area under the temperature-time curve, obtained by averaging the results from the pyrometer or thermoelectric device readings, is within 10 % of the corresponding area under the standard temperature-time curve shown in Fig. 1 for fire tests of 60 min or less duration; within 7.5 % for those over 60 min and not more than 120 min; and within 5 % for tests exceeding 120 min in duration.

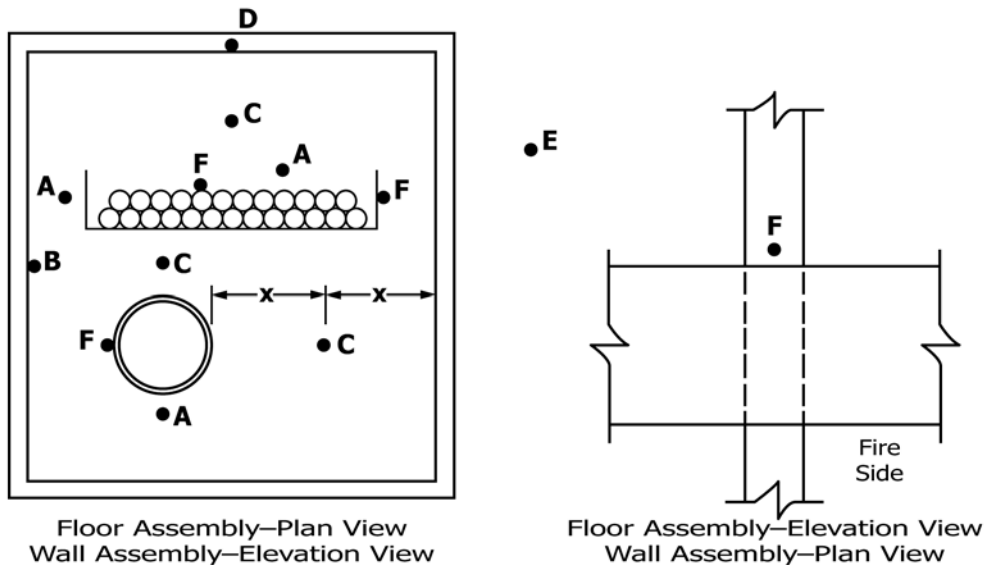
6.3 Unexposed Surface Temperatures:

6.3.1 Measure temperatures on the surface of the materials, devices, or both, that are used to seal the opening in the test assembly.

6.3.2 Measure the temperature of the test assembly.

6.3.3 Measure temperature at each of the locations on the unexposed surface of the penetrating item and floor or wall assembly as shown in Fig. 2.

6.3.4 For tests of membrane penetration firestop systems, in addition to the requirements of 6.3.3, measure temperature at each of the locations on the non-fire side of the test assembly as shown in Fig. 3 for test assemblies that include membrane



Legend:

A—At a point on the surface of the materials or devices, or both, that seal the opening 1 in. (25 mm) from one through-penetrating item for each type of penetrating item employed in the field of the materials or devices, or both, that seal the opening. If the grouping of penetrating items through the test sample prohibits placement of the thermocouple pad, the thermocouple shall not be required.

B—At a point at the periphery on the surface of the materials or devices, or both, that seal the opening.

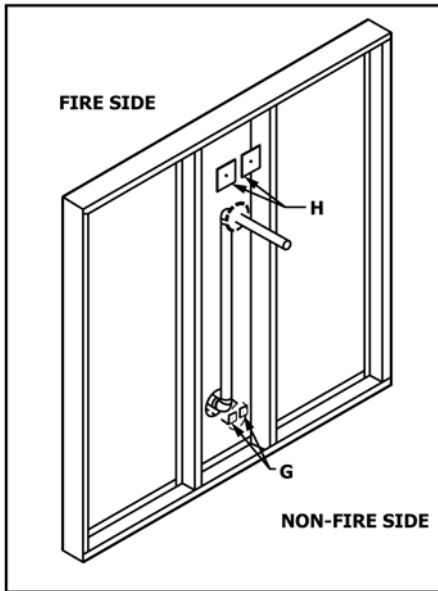
C—At a minimum of three points on the surface of the materials that seal the opening, approximately equidistant from a penetrating item or group of penetrating items in the field of the materials that seal the opening and the periphery.

D—At one point on any frame that is installed about the perimeter of the opening.

E—At one point on the unexposed surface of the wall or floor that is a minimum of 12 in. (305 mm) from any opening.

F—At one point on each type of through-penetrating item. If the through-penetrating item is insulated or coated on the unexposed side, the thermocouple shall be located on the exterior surface of the insulation or coating. If the coating or insulation does not extend the full length of the penetrating item on the unexposed side, an additional thermocouple shall be installed on the penetrating item 1.0 in. (25.4 mm) beyond the termination of the insulation or coating.

FIG. 2 Temperature Measurement Locations



Legend:

G—At a minimum of two points on the non-fire side surface, within the area that is a parallel projection onto the non-fire side of the hole made in the floor or wall assembly to accommodate the membrane penetration. When the area of the projection on the non-fire side is too small to permit the placement of two thermocouples, one thermocouple shall be used, located at the center of the projected area.

H—At two points on the non-fire side surface, located less than 3 in. (76 mm) vertically from the inside top of the wall cavity, and each located less than 3 in. horizontally from the penetration centerline.

FIG. 3 Membrane Penetration Firestop System Temperature Measurement Locations for Test Assemblies that Include Membrane Penetrations on Only One Face of the Test Assembly

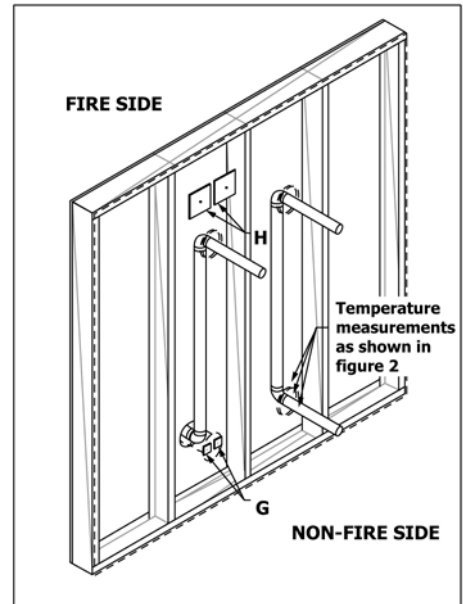
penetrations on only one face of the test assembly, or as shown in Fig. 4 for test assemblies that include conditions representative of both sides of the membrane penetration on one surface of the wall.

6.3.4.1 *Discussion*—The area in which thermocouples “G” are located, as shown in Fig. 3 and Fig. 4, is the perpendicular projections of the test assembly opening area on the non-fire side of the un-penetrated membrane.

6.3.5 Additional temperature measurements shall be made at the discretion of the testing agency to obtain representative information on the performance of the firestop systems.

6.3.6 For the purpose of obtaining supplementary information during tests of membrane penetrations, the temperature inside of each wall cavity having a membrane penetration shall be measured using one or more thermocouples. Such thermocouples shall be located 3 ± 0.25 in. (76 ± 6 mm) vertically from the inside top of the wall cavity, and each located 3 ± 0.25 in. (76 ± 6 mm) in. horizontally from the penetration centerline. Wires for the thermocouples shall be routed so as not to impact the fire performance measurements that are made on the non-fire side membrane.

6.3.7 Temperature measurements shall be made with thermocouples placed under flexible pads specified in Annex A2. The pads shall be held firmly against the surface and shall fit closely about the thermocouples. The thermocouple junction shall be located under the center of the pads. The thermocouple leads under the pads shall be not heavier than No. 18 B and S



Legend:

G—At a minimum of two points on the non-fire side surface, within the area that is a parallel projection onto the non-fire side of the hole made in the floor or wall assembly to accommodate the membrane penetration. When the area of the projection on the non-fire side is too small to permit the placement of two thermocouples, one thermocouple shall be used, located at the center of the projected area.

H—At two points on the non-fire side surface, located less than 3 in. (76 mm) vertically from the inside top of the wall cavity, and each located less than 3 in. horizontally from the penetration centerline.

FIG. 4 Membrane Penetration Firestop System Temperature Measurement Locations for Test Assemblies that Include Conditions Representative of Both Sides of the Membrane Penetration on One Surface of the Assembly

gage (0.040 in.) (1.02 mm) and shall be electrically insulated with heat-resistant moisture-resistant coverings.

6.3.8 For tests of membrane penetration firestop systems, the pads placed over thermocouples used to measure the non-fire side wall temperature at the top of the wall cavity (position H in Fig. 3 and Fig. 4) shall have the properties specified in Annex A2, except that they shall have a length and width of 6.00 ± 0.04 in. (152 ± 1 mm).

6.3.8.1 *Discussion*—The use of thermocouple pads with dimensions of 6 by 6 in. (152 by 152 mm) for position H in Fig. 3 provides consistency with Test Method E119, which also uses that size of thermocouple pad. This thermocouple pad will not be constrained by limitations of space, as other thermocouple positions are likely to be.

6.3.9 For a through-penetration firestop system, measure temperatures of each type and size of penetrating item with at least one thermocouple located 1.0 in. (25.4 mm) from the unexposed surface of the material, device, or both, that is (are) used to seal the opening in the test assembly. The thermocouple bead shall be held firmly against the penetrating item. The thermocouple leads shall not be heavier than No. 22 B and S gage (0.025 in.) (0.635 mm) and shall be electrically insulated with heat-resistant and moisture-resistant coverings. The pads as described above shall be held firmly against the penetrating item and shall fit closely about the thermocouples.

6.3.10 Temperature readings shall be taken at intervals not exceeding 15 min until a reading exceeding 212°F (100°C) has been obtained at any one point. Thereafter, at the discretion of the testing body, the readings shall be taken more frequently, but the intervals need not be less than 5 min.

6.4 *Differential Pressure:*

6.4.1 The pressure differential between the exposed and unexposed surfaces of the test assembly, as defined in 3.2.3, shall be measured at two points 0.78 in. (20 mm) from the exposed surface of the test assembly as follows:

6.4.1.1 *Walls*—At two points along the vertical center line. The two points shall be separated by a vertical distance that is equal to or greater than one-half of the height of the test assembly.

6.4.1.2 *Floors*—Two points along the longitudinal center line at a distance of $\frac{1}{4} \pm \frac{1}{8}$ from the center of the floor where L equals the length of the floor.

6.4.2 The pressure-measuring probes shall be a Tee-shaped probe or a tube probe and shall be manufactured from stainless steel or other suitable material.

6.4.3 Measure the pressure by means of a manometer or equivalent transducer. The manometer or transducer shall be capable of reading 0.01-in. H₂O (2.5-Pa) increments with a measurement precision of 0.005 in. H₂O (1.25 Pa).

6.4.4 The furnace shall be controlled such that the differential pressure between the exposed and the unexposed surfaces of the test assembly complies with either 6.4.4.1 or 6.4.4.2.

6.4.4.1 *Standard Pressure Condition*—Except for the first 10 min. of the test, the furnace pressure shall be at least 0.01 in. wg (2.5 Pa) greater than the pressure on the unexposed side of the test assembly at the following locations:

(1) *Walls*—At the lowest elevation of the test specimen (see Note 2).

(2) *Floors*—At the location of the pressure-measuring probes.

NOTE 2—A supplementary pressure probe, in addition to the two probes specified in 6.4.1.1, may be used to determine compliance with this requirement.

6.4.4.2 *Unique Pressure Condition*—The differential pressure shall be specified by the test sponsor. The furnace shall be controlled such that the specified differential pressure is maintained throughout the duration of the test, excluding the first 10 min., within 20 % of the specified pressure.

7. Test Specimen

7.1 *Construction and Size:*

7.1.1 The construction of the test firestop systems shall be of sufficient size and include all conduits, pipes, cables (jacket types, sizes, conductor types, percent fills), required supports, or other through-penetrating items so as to produce a representative firestop system for which evaluation is being sought. Install and test firestop systems for each construction type for which ratings are being sought.

7.1.2 Install through-penetrating items so that they extend 12 ± 1 in. (305 ± 25 mm) on the exposed side and 36 ± 1 in. (914 ± 25 mm) on the unexposed side, unless otherwise provided in 7.1.2.1 or 7.1.2.2.

7.1.2.1 When the field installation of the penetrating item is less than either or both of the extensions specified in 7.1.2, the test shall have extension dimensions that replicate the field installation.

7.1.2.2 When additional material is installed with the firestop system for a limited length on the exposed side of the through-penetrating item, install the through-penetrating item so that its length without such material extends 12 ± 1 in. (305 ± 25 mm) on the exposed side.

NOTE 3—Additional material covering or shielding a penetrating item on the exposed side, unexposed side, or both, for a limited distance from the test assembly is sometimes a component of the firestop system, typically used to increase the T-rating of the tested system. Examples of such materials include insulating materials, endothermic materials, ablative materials, subliming materials, intumescent materials, reflective materials, or a combination of those. When such material is used, 7.1.2.2 requires a 12 ± 1 in. (305 ± 25 mm) length of the penetrating item to be exposed to the heat of the furnace without the added material, so that the 12 in. (305 mm) length of unprotected penetrating item is maintained for all test conditions.

7.1.3 Through-penetrating items on the exposed side of the test assembly shall be exposed to the furnace temperatures. Support the extended portion of through-penetrating items on the unexposed side so as to minimize relative movement between the through-penetrating item and the restraining frame in which the test assembly is mounted. Cap or otherwise seal the individual ends of through-penetrating items on the exposed side. When the through-penetrating item is a closed system that in actual field practice is not vented or open to the atmosphere, the through-penetrating item shall be capped or sealed on the unexposed side. In such cases, a pressure relief hole shall be provided through the cap or seal on the unexposed side. Otherwise, through-penetrating items shall not be capped or sealed on the unexposed side.

7.1.4 The periphery of the materials or devices, or both, that seal the opening in the test assembly shall not be closer than $1\frac{1}{2}$ times the thickness of the test assembly or a minimum of 12 in. (300 mm) to the furnace edge, whichever is greater (see Note 4).

NOTE 4—The distance between the periphery of the materials or devices, or both, that seal the opening in the test assembly and the furnace edge may be reduced if the testing agency demonstrates and reports that the edge effects do not affect the results.

7.2 For wall membrane penetration tests, any linear penetrating item shall be routed vertically up from the membrane penetration. The linear penetrating item shall exit the wall cavity 9 ± 0.5 in. (229 ± 13 mm) below the top-most element of the test assembly frame through a hole in the wall surface having an annular space of 0.5 in. (13 mm) or less. The annular space of that hole shall be sealed with tightly packed ceramic fiber. Capping of the penetrating item on both the fire side and non-fire side shall be as specified in 7.1.2. Length of the penetrant exposed to furnace conditions on the fire side shall be a minimum of 12 in. (305 mm).

NOTE 5—Although details are provided here to describe how membrane penetrations by linear penetrating items (for example, cables, pipes, conduit) shall be installed in the test assembly, most membrane penetrations of interest in the built environment will be discrete items. Examples of such discrete items include recessed boxes for electrical, water or gas piping connections, recessed wall-mounted equipment cabinets, and

recessed electrical equipment panels. Such items would normally not include any elongated parts whose extreme ends would need to be routed out near the top of the non-fire side of the test assembly.

8. Protection and Conditioning

8.1 Prior to fire test, condition the firestop system to provide a moisture condition representative of that existing in similar construction in buildings. For the purposes of standardization, this condition is established at equilibrium resulting from drying in an ambient atmosphere of 50 % relative humidity at 73°F (23°C). However, with some firestop systems it is difficult or impossible to achieve such uniformity. Therefore, firestop systems shall be eligible for testing when their dampest portion has achieved a moisture content corresponding to drying to equilibrium with air in the range from 50 to 75 % relative humidity at $73 \pm 5^\circ\text{C}$ ($23 \pm 3^\circ\text{C}$). If the firestop systems dried in a heated building fail to meet these requirements after a 12-month conditioning period, or if the nature of the construction is such that drying of the interior of the test assembly or the interior of the material used to seal the opening will be prevented by hermetic sealing, these requirements shall be waived, except as to attainment of the required strength as described in 9.1, and the firestop system is tested in the condition in which it then exists.

NOTE 6—A method for determining the relative humidity within a hardened concrete specimen with electric sensing elements is described in Appendix I of a paper by C.A. Manzel, “A Method for Determining the Moisture Condition of Hardened Concrete in Terms of Relative Humidity,” *Proceedings, ASTM*, Vol 55, 1955, p. 1083. A similar procedure with electric sensing elements can be used to determine the relative humidity within fire test assemblies and within other materials used as part of the firestop system.

NOTE 7—The conditioning requirements noted here are essentially identical to the conditioning requirements and allowances in Test Method E119–12a, with only one exception. In the case where drying the specimen to equilibrium is not achieved after 12 months, the conditioning section of Test Method E119 (Section 6.2) states that an assembly is to be conditioned for at least as long as it takes for it to attain its full design strength, while E814 states that the strength need only be sufficient to retain the firestop securely in position. Since E814 does not require any superimposed load on a test specimen, other than that associated with its own mass, there is no value in delaying testing until the penetrated specimen (wall or floor) attains its full design strength.

8.2 Protect the testing equipment, specimen, and assembly undergoing the fire test from any condition of wind or weather that is capable of leading to abnormal results. The ambient air temperature at the beginning of the test shall be within the range from 50 to 90°F (10 to 32°C). The velocity of air across the unexposed surface measured just before the test begins shall not exceed 4.4 ft/s (1.3 m/s) as determined by an anemometer placed at right angles to the unexposed surface. If mechanical ventilation is employed during the test, do not direct an air stream across the surface of the specimen.

9. Conduct of Tests

9.1 *Time of Testing*—Do not test the test specimen until the test assembly has developed sufficient strength to retain securely in position the materials or devices, or both, that are used to seal the opening.

9.2 *Wall Assemblies with Membrane Penetrations:*

9.2.1 For wall assemblies that include membrane penetrations on only one face of the test assembly, conduct a complete fire test and hose stream test as specified in this standard on two duplicate assemblies, with one fire and hose test for each side of the assembly.

NOTE 8—An example of such a test assembly is shown in Fig. 3.

9.2.1.1 When the test orientation that will produce the lowest fire resistance rating can be established and agreed upon by the testing laboratory and test sponsor, the fire test and hose stream test shall be permitted to be conducted using only that one orientation.

9.2.2 When a test assembly is built to include conditions representative of both sides of the membrane penetration on one surface of the wall, a single fire test and hose stream test shall be permitted to be conducted.

NOTE 9—This type of arrangement would allow both sides of the membrane penetration firestop system to be evaluated for fire resistance using only one test. This can be accomplished by installing the membrane penetration two times in the same wall assembly, at the same height, each on a different side of the assembly, and each in a different wall cavity. An example of such an arrangement is shown in Fig. 4.

9.3 *Fire Test*—Continue the test until the evaluation period being sought is reached or until the rating criteria of Section 10 are satisfied.

9.4 *Hose Stream Test:*

9.4.1 Subject a duplicate specimen to a fire-exposure test for a period equal to one half of that indicated as the resistance period in the fire test, but not more than 60 min, immediately after which subject the specimen to the impact, erosion, and cooling effects of a hose stream as described in Practice E2226, and in accordance with the pressures and durations specified in Table 1.

9.4.2 When requested by the test sponsor, and with the advice and consent of the testing body, the hose stream test shall be made on the specimen subjected to the fire test immediately following the fire test.

10. Rating Criteria

10.1 *F Rating:*

10.1.1 A firestop system shall have met the requirements for the *F* rating when the materials or devices, or both, that seal the opening remain in the opening during the fire test and hose stream test and the following conditions are met.

TABLE 1 Pressure and Duration—Hose Stream Test^A

Fire Resistance Rating	Water Pressure at Base of Nozzle, psi (kPa)	Duration of Application, s/ft ² (m ²) of Exposed Area
240 min and over if less than 480 min	45 (310)	3.0 (32)
120 min and over if less than 240 min	30 (210)	1.5 (16)
90 min and over if less than 120 min	30 (210)	0.90 (10)
Less than 90 min	30 (210)	0.60 (6)

^A It is possible that when a single firestop system is tested, calculation of the area to be exposed to the hose stream will include more than the outside dimensions of the firestop system if the hose stream uniformly traverses that area. Where multiple firestop systems are tested using the same wall or floor assembly, the rectangular area encompassing all of the firestop systems shall be considered as the exposed area since the hose stream must traverse this calculated area during its application.

10.1.2 The firestop system shall have withstood the fire test for the rating period by preventing the passage of flame through openings, or the occurrence of flaming on any element of the unexposed side of the firestop system.

10.1.3 During the hose stream test, the materials or devices, or both, that seal the opening shall not develop any gap that allows a projection of water from the stream beyond the unexposed side.

10.2 *T* Rating:

10.2.1 A firestop system shall have met the requirements for the *T* rating when the materials or devices, or both, that seal the opening remain in the opening during the fire test and hose stream test and the following conditions are met.

10.2.1.1 The transmission of heat through the firestop system during the rating period shall not have been such as to raise the temperature of any thermocouple on the unexposed surface of any penetrating item or on the materials or devices, or both, that seal the opening, more than 325°F (181°C) above the initial temperature. Also, the firestop system shall have withstood the fire test during the rating period by preventing the passage of flame through openings, or the occurrence of flaming on any element of the unexposed side of the firestop system.

(1) The transmission of heat through the membrane penetration firestop system during the rating period shall not have been such as to raise the temperature measured at locations G and H on Fig. 3 or Fig. 4 (as applicable) more than 325°F (181°C) above the initial temperature.

10.2.1.2 During the hose stream test, the materials or devices, or both, that seal the opening shall not develop any gap that allows a projection of water from the stream beyond the unexposed side.

11. Report

11.1 Report results in accordance with the performance in the tests prescribed in this test method. Express the results in time periods of resistance to passage of flame to the nearest integral minute. Reports shall include the following:

11.1.1 Description of the assembly and materials; identify and describe penetrating items of the tested firestop system. Drawings depicting geometry, exact size (length, width, thickness), and location of materials or devices, or both, used to seal the opening within the test assembly.

11.1.2 The relative humidities of the test assembly and materials or devices, or both, used to seal the opening, if applicable.

11.1.3 The furnace and the unexposed side temperatures for the duration of the standard fire test.

11.1.4 The *F* and *T* ratings for each firestop system in the time period of resistance.

11.1.5 The location of pressure probes and the differential pressures between the exposed and unexposed surfaces of the test assembly measured during the fire test. When the test is conducted with a unique pressure condition in accordance with 6.4.4.2, the report shall state the basis for the specified pressure.

11.1.6 Record observations of significant details of the behavior of the firestop system during the test and after the furnace fire is extinguished. These shall include cracks, deformation, flaming, and smoke issuance. Also, these include continued burning within the firestop system after termination of the fire test.

11.2 When the indicated firestop system rating period is 60 min or over, a correction shall be applied for variation of the furnace exposure from the prescribed, where it will affect the rating, by multiplying the indicated period by two thirds of the difference in area between the curve of average furnace temperature and the standard curve for the first three fourths of the period and dividing the product by the area between the standard curve above a base line of 68°F (20°C) for the same part of the indicated period, the latter area increased by 54°F·h or 30°C·h (3240°F·min or 1800°C·min), to compensate for the thermal lag of the furnace thermocouples during the first part of the test. For fire exposure in the test higher than standard, the indicated rating period shall be increased by the amount of the correction and be similarly decreased for fire exposure below surface. The correction is expressed as follows:

$$C = \frac{2I(A - A_s)}{3(A_s + L)} \quad (1)$$

where:

C = correction in the same units as *I*,

I = indicated fire-resistance period,

A = area under the curve of indicated average furnace temperature for the first three fourths of the indicated period,

A_s = area under the standard furnace curve for the same part of the indicated period, and

L = lag correction in the same units as *A* and *A_s* (54°F·h or 30°C·h; 3240°F·min or 1782°C·min).

11.3 For membrane penetration firestop systems tested with each side of the test assembly independently exposed to the furnace fire conditions using duplicate specimens, the report shall indicate the *F* and *T* ratings determined for the membrane penetration for each side exposed to the fire.

12. Precision and Bias

12.1 The precision and bias of this test method have not been determined.

ANNEXES
(Mandatory Information)
A1. STANDARD TEMPERATURE-TIME CURVE FOR CONTROL OF FIRE TESTS

Time h:min	Temperature, °F	Area Above 68°F Base		Temperature, °C	Area Above 20°C Base	
		°F-min	°F-h		°C-min	°C-h
0:00	68	00	0	20	00	0
0:05	1 000	2 330	39	538	1 290	22
0:10	1 300	7 740	129	704	4 300	72
0:15	1 399	14 150	236	760	7 860	131
0:20	1 462	20 970	350	795	11 650	194
0:25	1 510	28 050	468	821	15 590	260
0:30	1 550	35 360	589	843	19 650	328
0:35	1 584	42 860	714	862	23 810	397
0:40	1 613	50 510	842	878	28 060	468
0:45	1 638	58 300	971	892	32 390	540
0:50	1 661	66 200	1 103	905	36 780	613
0:55	1 681	74 220	1 237	916	41 230	687
1:00	1 700	82 330	1 372	927	45 740	762
1:05	1 718	90 540	1 509	937	50 300	838
1:10	1 735	98 830	1 647	946	54 910	915
1:15	1 750	107 200	1 787	955	59 560	993
1:20	1 765	115 650	1 928	963	64 250	1 071
1:25	1 779	124 180	2 070	971	68 990	1 150
1:30	1 792	132 760	2 213	978	73 760	1 229
1:35	1 804	141 420	2 357	985	78 560	1 309
1:40	1 815	150 120	2 502	991	83 400	1 390
1:45	1 826	158 890	2 648	996	88 280	1 471
1:50	1 835	167 700	2 795	1 001	93 170	1 553
1:55	1 843	176 550	2 942	1 006	98 080	1 635
2:00	1 850	185 440	3 091	1 010	103 020	1 717
2:10	1 862	203 330	3 389	1 017	112 960	1 882
2:20	1 875	221 330	3 689	1 024	122 960	2 049
2:30	1 888	239 470	3 991	1 031	133 040	2 217
2:40	1 900	257 720	4 295	1 038	143 180	2 386
2:50	1 912	276 110	4 602	1 045	153 390	2 556
3:00	1 925	294 610	4 910	1 052	163 670	2 728
3:10	1 938	313 250	5 221	1 059	174 030	2 900
3:20	1 950	332 000	5 533	1 066	184 450	3 074
3:30	1 962	350 890	5 848	1 072	194 940	3 249
3:40	1 975	369 890	6 165	1 079	205 500	3 425
3:50	1 988	389 030	6 484	1 086	216 130	3 602
4:00	2 000	408 280	6 805	1 093	226 820	3 780
4:10	2 012	427 670	7 128	1 100	237 590	3 960
4:20	2 025	447 180	7 453	1 107	248 430	4 140
4:30	2 038	466 810	7 780	1 114	259 340	4 322
4:40	2 050	486 560	8 110	1 121	270 310	4 505
4:50	2 062	506 450	8 441	1 128	281 360	4 689
5:00	2 075	526 450	8 774	1 135	292 470	4 874
5:10	2 088	546 580	9 110	1 142	303 660	5 061
5:20	2 100	566 840	9 447	1 149	314 910	5 248
5:30	2 112	587 220	9 787	1 156	326 240	5 437
5:40	2 125	607 730	10 129	1 163	337 630	5 627
5:50	2 138	628 360	10 473	1 170	349 090	5 818
6:00	2 150	649 120	10 819	1 177	360 620	6 010
6:10	2 162	670 000	11 167	1 184	372 230	6 204
6:20	2 175	691 010	11 517	1 191	383 900	6 398
6:30	2 188	712 140	11 869	1 198	395 640	6 594

A2. REQUIREMENTS FOR THERMOCOUPLE PADS

A2.1 The pads used in measurements of temperature of unexposed surfaces of specimens shall be of suitable inorganic material and shall exhibit the following properties:

A2.1.1 *Length and Width*— 2.00 ± 0.04 in. (50.8 ± 1 mm).

A2.1.2 *Thickness*— 0.375 ± 0.063 in. (9.5 ± 1.6 mm).

A2.1.3 *Density*— 18.7 ± 0.2 lb/ft³ (300 ± 3.0 kg/m³).

A2.1.4 *Thermal Conductivity at 150°F(66°C)*— 0.37 ± 0.03 Btu·in./(h·ft²·°F) (0.053 ± 0.004 W/(m·K)).

A2.2 The pads shall be capable of being shaped without breaking. The complete pad shall contact the surface against which it is placed.

APPENDIX

(Nonmandatory Information)

X1. DISCUSSION OF SEVERAL ITEMS IN THIS TEST METHOD

X1.1 Introduction

X1.1.1 In writing this standard, various comments and engineering points of view were considered. This test method was written to reflect the broadest possible consensus of these comments.

X1.1.2 This appendix provides a brief discussion of several significant items that were considered. It is intended that the basis for the items included in this test method as well as conflicting points of view, be presented in this discussion.

X1.2 Applicability

X1.2.1 This test method is applicable to firestop systems of various materials and construction. These firestop systems are intended for use in openings in fire resistive walls and floors.

X1.2.2 This test method does not apply to termination devices intended to provide electrical, communication, or other circuitry at the surface of the assembly, and which are evaluated as an integral part of an assembly in accordance with Test Methods E119.

X1.3 Criteria

X1.3.1 *General*—This fire test method for firestop systems is intended to be concerned with evaluating protection provided for openings created in walls or floors that otherwise have a fire resistance rating established in accordance with Test Methods E119. Presently fire doors and windows, which are similar items, are evaluated by other standards. Accordingly, the objective of this test method is to assure that the use of such firestop systems would not jeopardize the required fire resistance performance of the wall or floor assembly. The rating criteria are accordingly predicated on those conditions relevant to ratings of walls and floors by Test Methods E119, modified to the extent necessary to take cognizance of the special conditions represented by the occurrence of the firestop systems including the penetrating items. In Test Methods E119, conditions of acceptance include (1) passage of flame and hot

gases, (2) unexposed surface temperature rise, (3) ignition of cotton waste, and (4) hose stream.

X1.3.2 *Passage of Flame and Hot Gases and Ignition of Cotton Waste*—In Test Methods E119 one criterion of acceptance of a floor-ceiling or wall is that the assembly shall have withstood the fire endurance test without passage of flame or gases hot enough to ignite cotton waste. The object of this criterion is to minimize the potential for igniting combustible material that might be placed in contact with the unexposed surface. In this test method, the use of cotton waste is excluded and the judgment shall be based only upon visual observation and surface temperatures.

X1.3.3 In Test Methods E119, visual observation of the passage of flames and hot gases is supplemented with the use of cotton waste. The cotton waste serves as an additional indicator where visual observations are insufficient to determine whether passage of hot gases is occurring. In this test method the cotton waste criterion was excluded for the following reasons: (1) the through-penetrating items of a firestop system that continue beyond the wall or floor surface often constitute the combustibles at the unexposed surface, while at the same time minimize the opportunity for other combustibles to come in contact with the wall or floor at the vicinity of the penetration and (2) the through-penetrating items may be of a nature that they inhibit placement of the cotton waste on the protection material surface, while at the same time often being of sufficient temperature that contact with the cotton waste would ignite the cotton waste, thus giving a false indication of firestop system surface ignition.

X1.3.4 *Unexposed Surface Temperatures*—It has been argued that temperatures on the unexposed surface should not be considered in determining the performance of the firestop systems, since the firestop systems will be installed in such places where they will not be in contact with wood, carpeting, plastic, or other such materials which may ignite at relatively low temperatures. It is further argued a temperature limitation should not be imposed on frames about the opening of

materials or devices, or both, that seal the opening, since they represent a direct path for heat to flow through to the unexposed surface.

X1.3.5 While these arguments may be valid for some installations, it will be true that the materials or devices, or both, that seal the opening will also be used in areas where they will come in contact with wood, dust, carpeting, paint, wall coverings, or other such materials.

X1.3.6 Further, there are cases where rigorous regulations prohibit combustibles, other than the material that passes through the wall or floor, from the area in which the firestop systems are located. However, the record clearly establishes that combustible materials such as dust accumulation, workman's clothing items, and miscellaneous building and repair items may well be found in such locations.

X1.3.7 It has been argued that the use of temperature limitation as described in Test Methods E119 must be retained if the overall character of the fire-resistance rating is to be retained.

X1.3.8 In order to satisfy both positions this test method provides two ratings: a *T* rating incorporating temperature and flame limitation, and an *F* rating predicated only on observation of passage of flame or hot gases.

X1.3.9 The *F* rating is based upon observation of passage of flame. The *T* rating is based upon passage of flame and a maximum individual temperature limitation of 325°F (181°C) above ambient. Therefore, depending upon the construction, the authority having jurisdiction may choose the rating that is most appropriate to fulfill the particular needs of the building.

X1.3.10 Placement of thermocouples as specified by the test method is predicated on obtaining temperatures representative of the various elements of the firestop system, and the difference in heat transmission through the firestop systems at various locations.

X1.3.11 A location of approximately 1.0 in. (25 mm) from a penetrating item on the unexposed surface of the materials or devices, or both, that seal the opening would represent a hot point on firestop system surface. The distance of 1.0 in. (25 mm) was obtained since one size of standard thermocouple pads is 2.0 by 2.0 in. (50 by 50 mm), and the thermocouple junctions shall be at the center of the pad. This fixes 1.0 in. (25 mm) as the closest permitted spacing from penetrating items.

X1.3.12 A location at a point on the surface at the periphery of the materials used to seal the opening, and at a point approximately equidistant from penetrating items in the field of the materials used to seal the opening and the periphery would obtain temperature information helpful in evaluating the thermal transmission through the firestop system.

X1.3.13 Also, temperatures of any frame about the opening and the temperatures of penetrating items (that is, cable conductor, conduit) shall be recorded in evaluating the thermal transmission performance of the firestop system.

X1.3.14 The test method indicates that the use of additional thermocouples may be required as determined for individual firestop systems.

X1.3.15 *Hose Stream Test*—Passage of the hose stream test was included as an acceptance criterion since it is an indicator of the integrity of the firestop system during fire exposure and the overall reliability of the material to perform its intended function. The hose stream test method as outlined in Practice E2226 is considered as applicable to the firestop systems.

X1.3.16 Not to conduct a hose stream test without applying any design live load to the test assemblies, would be fire testing the assemblies while ignoring their integrity. It is important that an indication of the integrity of performance be obtained for the firestop systems. Failure of the integrity of the firestop systems would aid the spread of fire by causing passages for the flames and hot gases.

X1.3.17 However, it was argued that conducting the hose stream test may be difficult to perform at various testing facilities without significant modifications to equipment.

X1.3.18 It was proposed that the hose stream test be included as an option only. Also, it was argued that different hose streams (pressure, spray, durations) be included as an option.

X1.3.19 Although the hose stream tests provide a measure of the structural performance of the materials or devices, or both, that seal the opening, it should not be construed as a measure of the load carrying ability of the firestop system tested.

X1.3.20 Also, the hose stream test is not intended to evaluate the structural performance of the floor or wall after the inclusion of the various firestop systems.

X1.4. Test Specimen

X1.4.1 The cables, conduits, pipes and other penetrating items used in the firestop systems shall be representative of the firestop system for which evaluation is desired. It is intended that the data and information provided by the testing of the firestop systems with various penetrating items would be used to determine acceptability of a specific firestop system in the construction.

X1.4.2 Through-penetrating items, as contemplated by this test method, generally represent a small portion of a much larger mechanical, electrical, or similar system. Since this test method is intended to focus on the performance of firestops, standard support and capping provisions are defined for through-penetrating items. Users are cautioned that these standard support and capping provisions are not necessarily representative of field installations nor do they represent worst-case conditions. At the scale contemplated by this test method, it is not feasible to simulate or evaluate all of the performance characteristics associated with these systems that may effect a penetration through a fire-resistive wall or floor. For example, in an actual building fire, significant relative movement may occur between a through-penetrating item and a fire-resistive floor or wall. This test method specifies that, in general, through-penetrating items be supported on the unexposed side by brackets that are attached to the frame in which the test assembly is mounted. Thus, some relative moment may occur due to the deflection of the test assembly. This relative

movement is not, however, indicative of that which may occur in actual field installations due to the limited span of the test assembly and other factors. Furthermore, the extension or termination, or both, of these systems will vary considerably. This test method requires that, in general, through-penetrating items be capped or otherwise sealed on the exposed side. This test method also specifies that cables, conduits, pipes, and other through-penetrating items extend 12 in. (300 mm) into the furnace chamber and 36 in. (900 mm) beyond the unexposed surface. From a heat transfer standpoint, previous testing has shown that this arrangement satisfactorily represents continuous cables and conduit as would be encountered in the field. Exceptions for different support and termination conditions have been included for through-penetrating items that will not extend significantly beyond the test assembly in actual field installations. With respect to capping or sealing, an exception has been included for through-penetrating items that will not normally be open to the atmosphere in field installations.

X1.5 Conduct of Tests

X1.5.1 This test method provides two alternatives for specifying the pressure in the furnace chamber with respect to the unexposed surface. The first, which reflects typical building code provisions that reference this test method, is identified as a *standard pressure condition* and requires that the pressure in the furnace be at least 0.01 in. wg (2.5 Pa) greater than the pressure on the unexposed side of the test assembly at the location of the test specimen (firestop assembly). Other than reporting the actual pressure differentials, no further substantiation is required for tests that are conducted in accordance with the standard pressure condition. The second alternative, which is identified as a *unique pressure condition*, permits the testing of firestop assemblies with a furnace pressure that is less than the standard pressure condition. For tests conducted in accordance with this procedure, the laboratory is required to report the basis for the selected test pressure.

X1.5.2 The issue of pressure differentials that exist in real fires is complex. Normally, a fully-developed fire within an enclosed room will vent through openings, such as windows or open doorways, or both, in the compartment boundaries (walls). A positive pressure in the range of 0.03 to 0.05 in. wg (7.5 to 12.5 Pa) will exist in the upper regions of the fire compartment, due to buoyancy effects, with respect to the atmosphere to which the fire has vented. A negative pressure will exist in the lower regions of the fire compartment. This does not necessarily mean that compartment boundaries in real buildings will be exposed to these pressure differentials. For a given compartment, other pressure differentials may also exist due to the effects of wind, mechanical systems, compartment location within the building, and ambient temperature differences between the inside and outside of the building. As a consequence, during an actual fire, the pressure differential that exists across a given compartment boundary can conceivably be as great as 0.50 in. wg (125 Pa) and either positive or negative. Cooper has published one discussion of this issue

(1).³ Many other excellent references are included in the literature. As a result, the selection of any specific pressure condition for testing purposes is necessarily an arbitrary decision and users should be aware of this shortcoming.

X1.5.3 In studying this issue, the committee has considered a number of other factors. There is, for example, a general consensus that positive pressure testing represents a more severe exposure condition than negative pressure testing. Furthermore, pressure differentials tend to be more important when the test assembly includes joints or openings, or both, which is the case with this test. For some firestop systems, there is evidence that the exact magnitude of the pressure differential does not have a significant impact on performance, provided that the pressure differential is positive (2). Even though this data covers a fairly extensive range of systems and pressure conditions, it is not possible to state that this *rule-of-thumb* applies across the board. And lastly, given the design of many currently available furnaces, testing at significant levels of positive pressure can necessitate complex test equipment modifications (for example, the use of negative pressure chambers on the unexposed surface of the assembly).

X1.5.4 As a result of all of the foregoing, different regulatory authorities have specified different pressure conditions for tests of this nature (3-6). Within the United States, however, model building code provisions that reference this test method specify a minimum positive pressure differential of 0.01 in. wg (2.5 Pa) (3-5). The standard pressure condition is intended to be consistent with these requirements. Users are, however, cautioned that a greater positive pressure differential is specified in Canada in certain instances (6). Since the standard pressure condition specifies a *minimum* positive pressure differential, it is conceivable that a testing program can be carefully designed to satisfy both United States and Canadian building code requirements. As long as the specified pressure differential is positive and at least 0.01 in. wg (2.5 Pa), such tests can be conducted in complete accordance with the standard pressure condition.

X1.5.5 The unique pressure condition alternative is included in recognition of the fact that other regulatory authorities may specify different pressure conditions (including negative pressure differentials). If this alternative is used, 11.1.5 requires that the testing laboratory report the basis for the specified test pressure.

X1.5.6 Within the volume of a furnace, gas temperatures will tend to be reasonably uniform. As a result, a linear static pressure differential relationship will exist between the gases in the furnace and ambient conditions within the laboratory. Higher pressure differentials will exist in the upper portions of the furnace and lower pressure differentials in the lower portions of the furnace. The gradient of this pressure differential relationship can be calculated based upon the average

³ The boldface numbers in parentheses refer to a list of references at the end of this standard.

furnace temperature. Even though this gradient will vary with time during the course of a test, an average gradient of approximately 0.01 in. wg/ft of height (8.2 Pa/m) will exist during the majority of a test. The vertical location of the neutral plane (that is, that elevation at which the furnace pressure is equal to the laboratory pressure) will be determined by the operating characteristics of the furnace. As a consequence, for tests involving wall assemblies, the vertical location of the test specimen (firestop assembly) with respect to the neutral plane will determine the applicable pressure differential and test specimens located at different elevations will be exposed to different pressure differentials. This test method therefore requires that the pressure differential be measured at two different elevations for vertical (wall) furnaces (6.4.1.1).

X1.5.7 For tests involving walls, two alternatives can be used to determine whether or not a test specimen (firestop assembly) has been exposed to a minimum positive pressure

differential. The elevation of the neutral plane can be determined based upon the measured pressure differentials. The elevation above which the specified positive pressure differential exists can then be calculated based upon an assumed gradient of 0.01 in. wg/ft of height (8.2 Pa/m). Test specimens located above this elevation will be exposed to the specified minimum positive pressure differential. Test specimens located below this elevation will not. Alternatively, an additional pressure probe can be located at or below the lowest elevation of the test specimen and this probe can be used to determine the minimum pressure differential by direct measurement.

X1.5.8 In the case of floor tests, this degree of complexity is not required since floors will typically be exposed to a uniform pressure differential. For the standard pressure condition, this test method simply requires that the minimum positive pressure differential of 0.01 in. wg (2.5 Pa) be maintained at the elevation of the required pressure probes.

REFERENCES

- (1) Cooper, L. Y., “The Need and Availability of Test Methods for Measuring the Smoke Leakage Characteristics of Door Assemblies,” *Fire Safety, Science, and Engineering, ASTM STP 882*, T. Z. Harmathy, Ed., ASTM, 1985, pp. 310–329.
- (2) “Investigation of Cable and Cable System Fire Test Parameters, Task B: Firestop Test Method,” Report prepared for the Division of Engineering Technology, Office of Nuclear Regulatory Research, U.S. Nuclear Regulatory Commission, by Underwriters Laboratories Inc., Northbrook, 1985.
- (3) “National Building Code, 1990 Edition,” Building Officials and Code Administrators International, Inc., Country Club Hills, 1989.
- (4) “Standard Building Code, 1991 Edition,” Southern Building Code Congress International, Birmingham, 1991.
- (5) “Uniform Building Code, 1991 Edition,” International Conference of Building Officials, Whittier, 1991.
- (6) “National Building Code of Canada, 1985 Edition,” National Research Council of Canada, Ottawa, 1985.

ASTM International takes no position respecting the validity of any patent rights asserted in connection with any item mentioned in this standard. Users of this standard are expressly advised that determination of the validity of any such patent rights, and the risk of infringement of such rights, are entirely their own responsibility.

This standard is subject to revision at any time by the responsible technical committee and must be reviewed every five years and if not revised, either reapproved or withdrawn. Your comments are invited either for revision of this standard or for additional standards and should be addressed to ASTM International Headquarters. Your comments will receive careful consideration at a meeting of the responsible technical committee, which you may attend. If you feel that your comments have not received a fair hearing you should make your views known to the ASTM Committee on Standards, at the address shown below.

This standard is copyrighted by ASTM International, 100 Barr Harbor Drive, PO Box C700, West Conshohocken, PA 19428-2959, United States. Individual reprints (single or multiple copies) of this standard may be obtained by contacting ASTM at the above address or at 610-832-9585 (phone), 610-832-9555 (fax), or service@astm.org (e-mail); or through the ASTM website (www.astm.org). Permission rights to photocopy the standard may also be secured from the Copyright Clearance Center, 222 Rosewood Drive, Danvers, MA 01923, Tel: (978) 646-2600; http://www.copyright.com/