



Standard Guide for Use of Thermocouples in Creep and Stress-Rupture Testing to 1800°F (1000°C) in Air¹

This standard is issued under the fixed designation E633; the number immediately following the designation indicates the year of original adoption or, in the case of revision, the year of last revision. A number in parentheses indicates the year of last reapproval. A superscript epsilon (ϵ) indicates an editorial change since the last revision or reapproval.

INTRODUCTION

This guide provides basic information, options, and guidelines to enable the user to apply thermocouples, temperature measurement, and control equipment with sufficient accuracy to satisfy the temperature requirements for creep and stress-rupture testing of materials.

1. Scope*

1.1 This guide covers the use of ANSI thermocouple Types K, N, R, and S for creep and stress-rupture testing at temperatures up to 1800°F (1000°C) in air at one atmosphere of pressure. It does not cover the use of sheathed thermocouples.

1.2 The values stated in inch-pound units are to be regarded as standard. The values given in parentheses are mathematical conversions to SI units that are provided for information only and are not considered standard.

1.3 *This standard does not purport to address all of the safety concerns, if any, associated with its use. It is the responsibility of the user of this standard to establish appropriate safety and health practices and determine the applicability of regulatory limitations prior to use.*

2. Referenced Documents

2.1 ASTM Standards:²

- E6 Terminology Relating to Methods of Mechanical Testing
- E21 Test Methods for Elevated Temperature Tension Tests of Metallic Materials
- E139 Test Methods for Conducting Creep, Creep-Rupture, and Stress-Rupture Tests of Metallic Materials
- E207 Test Method for Thermal EMF Test of Single Thermoelement Materials by Comparison with a Reference Thermoelement of Similar EMF-Temperature Properties
- E220 Test Method for Calibration of Thermocouples By Comparison Techniques

- E230 Specification and Temperature-Electromotive Force (EMF) Tables for Standardized Thermocouples
- E292 Test Methods for Conducting Time-for-Rupture Notch Tension Tests of Materials
- E344 Terminology Relating to Thermometry and Hydrometry
- E574 Specification for Duplex, Base Metal Thermocouple Wire With Glass Fiber or Silica Fiber Insulation
- E1129/E1129M Specification for Thermocouple Connectors
- E1684 Specification for Miniature Thermocouple Connectors

3. Terminology

3.1 *Definitions*—Unless otherwise indicated, the definitions given in Terminology E6 and E344 shall apply.

4. Classification

4.1 The following thermocouple types are identified in Tables E230:

- 4.1.1 *Type K*—Nickel—10 % chromium (+) versus nickel—5 % (aluminum, silicon) (–),
- 4.1.2 *Type N*—Nickel—14 % chromium, 1.5 % silicon (+) versus nickel—4.5 % silicon—0.1 % magnesium (–),
- 4.1.3 *Type R*—Platinum—13 % rhodium (+) versus platinum (–),
- 4.1.4 *Type S*—Platinum—10 % rhodium (+) versus platinum (–).

5. Summary of Guide

5.1 This guide will help the user to conduct a creep or stress-rupture test with the highest degree of temperature precision available. It provides information on the proper application of thermocouples that are used to measure and control the temperature of the test specimen. It also points out sources of error and suggests methods to eliminate them.

¹ This guide is under the jurisdiction of ASTM Committee E28 on Mechanical Testing and is the direct responsibility of Subcommittee E28.04 on Uniaxial Testing. Current edition approved Nov. 1, 2013. Published December 2013. Originally approved in 1987. Last previous edition approved in 2005 as E633–00(2005). DOI: 10.1520/E0633-13.

² For referenced ASTM standards, visit the ASTM website, www.astm.org, or contact ASTM Customer Service at service@astm.org. For *Annual Book of ASTM Standards* volume information, refer to the standard's Document Summary page on the ASTM website.

*A Summary of Changes section appears at the end of this standard

6. Significance and Use

6.1 This guide presents techniques on the use of thermocouples and associated equipment for measuring temperature in creep and stress-rupture testing in air at temperatures up to 1800°F (1000°C). The duration of a creep test ranges from a few hours to several thousand hours or more at elevated temperatures, at least partially unattended by operators. Such tests are normally ended before test specimen failure. Stress-rupture tests may operate at higher stresses, higher temperatures, and for shorter times than creep tests, but they normally continue until the specimen has achieved its required life or has failed.

6.2 Since creep and stress-rupture properties are highly sensitive to temperature, users should make every effort practicable to make accurate temperature measurements and provide stable control of the test temperature. The goal of this guide is to provide users with good pyrometric practice and techniques for precise temperature control for creep and stress-rupture testing.

6.3 Techniques are given in this guide for maintaining a stable temperature throughout the period of test.

6.4 If the techniques of this guide are followed, the difference between indicated temperature and true temperature, as used in [E139](#), [E292](#), and [E21](#) will be reduced to the lowest practical level.

7. Apparatus

7.1 Instrumentation may be individual instruments, a data acquisition system (multipoint recorders or digital type), a computer-based control system, or a combination of these devices.

NOTE 1—Since each thermocouple is “grounded” by contacting the specimen, it is necessary that the instrumentation treat each thermocouple as isolated or “floating” from all other thermocouples. Neither leg should be connected to a common ground at the instrumentation end of the system. Also, equipment having a high common mode rejection ratio is necessary because of the proximity of strong electromagnetic fields from the heating elements of the furnace.

7.2 *Temperature Measurement Instrumentation*—The measurement system should be able to resolve the thermocouple signal to $\pm 0.1^\circ\text{F}$ (0.05°C). The temperature indication should have no more than $\pm 1.0^\circ\text{F}$ (0.5°C) uncertainty for the purposes of this test. In addition, where specific corrections for the calibration of individual thermocouples or a thermocouple lot are required, the capability of the instrumentation system to accommodate these data shall be considered.

7.2.1 Reference Junction Compensation:

7.2.1.1 Thermocouples are usually calibrated to a 32°F (0°C) reference temperature. Unless an ice point reference is used, provide some means to compensate for the temperature where the thermoelectric circuit connects to the instrument; refer to MNL-12 on Reference Junctions.³

7.2.1.2 Reference junction compensation is usually performed within the instrumentation itself. Most devices or

electronic data acquisition systems measure the temperature where the thermoelements connect to the input terminals and introduce a compensating emf to simulate the ice point.

7.2.1.3 The input connections shall be isothermal and shielded from sudden changes of temperature.

7.2.2 *Recalibration*—The accuracy of the temperature measurement equipment may be affected by component aging, environment, handling, or wear. Therefore, a periodic recalibration of the measuring instrumentation with a checking instrument is necessary. The checking instrument should be of higher accuracy than the measurement system, and to ensure conformity to national standards, it should be calibrated with a known primary test standard, traceable to a national metrology institute.

7.3 *Temperature Control Equipment Requirements*—A temperature controller or temperature control system should be selected on the basis of stability (variations of $\pm 1^\circ\text{F}$ (0.5°C) or less), and accuracy (uncertainty of $\pm 1.5^\circ\text{F}$ (0.7°C) or less). Generally, a control system with proportional band, automatic reset, and slow approach to final set point features should be used. When employing an automatic feedback control system, the tuning constants or control algorithm shall be optimized, not only to maintain the test specimen at the set point without excessive deviations, but to eliminate or limit the amount of overshoot upon initial heating.

NOTE 2—The same precautions regarding reference junction compensation in the control device apply as in [7.2.1](#).

7.3.1 *Configuration*—The control configuration may take one of two forms:

7.3.1.1 The center thermocouple is connected to a control loop that strives to maintain the temperature of the center of the reduced section at set point. The upper and lower thermocouples are used to measure the temperatures at the ends of the reduced section. Means shall be provided to adjust the heating power above and below the center to equalize the temperatures.

7.3.1.2 The bottom and top thermocouples may be connected to control loops that regulate the power to the upper and lower heaters independently. Thus, the end temperatures are maintained automatically. The center thermocouple is used only as a monitor.

7.3.2 *Control System Recalibration and Reliability*—The control system should be subjected to routine recalibration, as circumstances and type of equipment dictate. The checking procedure should include calibration of the controller and a sensitivity check. A calibration circuit, as shown in [Appendix X1](#), should be employed.

7.4 *Heating Equipment*—Furnaces should be appropriately sized or adjusted relative to the workload and heat losses to provide a zone of uniform temperature across the specimen. Because creep and stress-rupture testing is usually done at constant temperature and with an unchanging furnace load, the main requirement is a well-insulated furnace, capable of achieving the desired temperatures. The top and bottom openings should be closed to limit convection losses, but the furnace should not be sealed airtight.

³ Manual on the Use of Thermocouples in Temperature Measurement, Fourth Edition, 1993. Sponsored by ASTM International Committee E20 on Temperature Measurement. ASTM International MNL-12-4th. DOI: 10.1520/MNL12-4TH-EB.

8. Thermocouples

8.1 The stability of the emf of the thermocouples and the rapid response of the control system to any changes of temperature over the period of the test are crucial to maintain the specimen within the allowable temperature band.

8.2 *Thermocouple Requirements*—The requirements for thermocouples used for measurement are somewhat different from thermocouples used for control purposes (especially with automatic feedback control systems). Of course, both requirements may be met with one set of thermocouples that is judiciously chosen and placed.

8.2.1 *Measurement*—Thermocouples used for measurement are designed to represent the temperature of the specimen along its reduced section. Since only two or three thermocouples are used, they shall be located at places on the specimen that represent the average temperature of their respective sections. This can be determined by a test program, where more than the usual number of thermocouples are mounted along the reduced section to establish the temperature profile.

8.2.2 *Control*—Thermocouples used for control are designed and placed to be sensitive to changes of or impending changes to the temperature of the specimen. Control thermocouple wire should be as small in diameter as possible. However, the wire should not be so small in diameter that oxidation or strain would cause emf errors or failure during the test period.

NOTE 3—Locating a control thermocouple next to the heater as a means to limit fluctuations of temperature is not advisable. A controller with a wide proportional band and automatic reset is capable of compensating for the thermal lag of most furnace designs.

8.3 *Basic Information*—Information on basic thermocouple characteristics and performance is available from ASTM publications such as MNL-12.³ Stability of the emf over the period of test is the most crucial requirement for a control thermocouple, whereas accuracy of the measurement thermocouple is paramount for successful correlation of test results.

8.3.1 Factors affecting thermocouple selection are: atmosphere, temperature of exposure, duration of testing, and response time. These factors should be considered to determine type (K, N, R, or S), wire size, insulation, and installation methods.

8.4 *Precautions*—The emf output of a thermocouple is affected by inhomogeneities in the region of a temperature gradient. Inhomogeneities are produced by cold work, contamination, or metallurgical changes produced by temperature itself. Therefore, thermocouples should be handled carefully without unnecessary stretching, bending, or twisting the wires. Bending around small radii should be avoided entirely, especially where the wires may lie in a temperature gradient. Where necessary, a minimum amount of bending may be performed carefully around bend radii at least 20 times the diameter of the wire.

8.5 *Types K and N Thermocouples:*

8.5.1 *Suitability*—Types K and N thermocouples are useful for creep and rupture testing because they provide a relatively

high emf and are relatively stable over the low and middle temperatures of the testing range.

8.5.2 *Limitations*—Conventional Type K, and to a lesser extent, Type N thermocouples undergo emf drift as the result of metallurgical changes during use. Therefore, that portion of wire that has been exposed to temperatures above 500°F (260°C) or 1600°F (870°C) for Types K and N thermocouples, respectively, should be discarded after one use.

8.5.3 *Assessment*—Type K or N thermocouples should be reused only after their suitability for a particular test program is proven by a body of test data. Stability tests are advised, using Type R or S thermocouples as references.

8.6 *Types R and S Thermocouples:*

8.6.1 *Suitability*—Types R and S are highly resistant to oxidation and are therefore stable for these tests at the higher temperatures of the range. They provide the highest reproducibility and repeatability of the several thermocouple types but are initially more costly. Because they do not deteriorate during normal use, it is possible to reuse them. When Types R and S wires are no longer suitable for service, they still retain a significant portion of their initial cost in salvage value.

8.6.2 *Limitations*—The limiting factor for reuse of Type R or S thermocouples is error introduced by strain or contamination. Wires of Types R and S are mechanically weaker than Types K and N, so they must be adequately supported to avoid straining them. Sufficient slack should be provided so that the wires do not strain or tear when the specimen elongates. Contamination of the wire⁴ may be caused by oils, grease, or other chemicals, and from metallic vapors from the test specimen during heating.

8.6.3 *Assessment*—A Type R or S thermocouple should not be used indefinitely. One way to determine the end of its useful life is to place a new thermocouple from the same lot beside the old one and compare outputs. Replace the older thermocouple when the change exceeds the uncertainty indicated on **Table 1**. Special precaution is advised to avoid errors arising from the use of compensating extension wires. See **Table 1**.

8.7 *Stability*—Studies have been made to determine emf stability with time of the thermocouple types covered by this guide. Results of those investigations show that the Types R and S thermocouples may be expected to have greater stability under favorable conditions than either Type K or N. Other work indicates Type N is more stable than Type K.⁵ Relative stabilities are summarized in **Table 2**.

8.8 *Calibration:*

8.8.1 *Method*—Calibration of thermocouples should be done on representative lot samples with Test Method **E220**. Recalibration of used thermocouples that may contain inhomogeneities is not recommended unless it can be performed in place and under actual conditions of use.

⁴“Creep and Rupture Test Pyrometry,” Charles R. Wilks, ASTM Special Technical Publication No. 178—Panel Discussion on Pyrometric Practices, Presented at the 58th Annual Meeting, June 30, 1955 <http://dx.doi.org/10.1520/STP178-EB>.

⁵“The Nicrosil versus Nisil Thermocouple: Properties and Thermoelectric Reference Data,” NBS Monograph 161, April 1978, U.S. Dept. of Commerce, NIST, Gaithersburg, MD. Also see RR:E20-1001, available from ASTM.

TABLE 1 Thermocouple and Extension Wire Tolerances and Calibration Uncertainties

Thermocouples, °F				
Type	Temperature Range	Tolerance		Typical Calibration Uncertainty ^A
		Standard ^B	Special	
K, N	32 to 2000	4 or 0.75 %	2 or 0.4 %	1.8 to 2.2
S, R	32 to 2000	2.7 or 0.25 %	1 or 0.1 %	1.1 to 1.2
Extension Wire, °F ^C				
KX, NX	32 to 400	4	^D	0.5 to 2
RX, SX	32 to 400	9	^D	2 to 4
Thermocouples, °C				
Type	Temperature Range	Tolerance		Typical Calibration Uncertainty ^A
		Standard ^B	Special	
K, N	0 to 1100	2.2 or 0.75 %	1.1 or 0.4 %	1 to 1.2
R, S	0 to 1100	1.5 or 0.25 %	0.6 or 0.1 %	0.6 to 0.7
Extension Wire, °C ^C				
KX, NX	0 to + 200	2	^D	0.3 to 1
RX, SX	0 to + 200	5	^D	1 to 2

^A Calibration uncertainty in an actual test depends on number of test points, media, and reference standard used during the calibration (see Test Method E220).

^B Tolerances and uncertainties are plus or minus the indicated values expressed in degrees Fahrenheit or degrees Celsius or as a percentage of the value of the measured temperature, whichever is greater (see Tables 1, 2, and 3 in Specification E230).

^C Worst case, where the temperature of the transition point differs from the instrument's reference junction by 360°F (200°C).

^D No special tolerance limits have been established, but materials with tolerances closer than the standard limits may be available.

TABLE 2 Relative Stability of Thermocouples

Thermocouple Type		
R or S	N	K
Most stable	Intermediate	Least stable

8.8.2 Thermocouple and Extension Wire Tolerance Grades—Thermocouples are commercially available in two tolerance grades, as given in Specification E230. In lieu of ordering special or better tolerances, it is advisable that the calibration of a specific lot of wire be determined. This should be done by actual calibration of representative samples to determine the specific emf temperature relation of each wire lot. An estimate of the uncertainties contributed by wire selection and testing is included in Table 1. Extension wire Types KX and NX are commercially available in two tolerances, but only the standard tolerances of Specification E230 are stated here. Compensating extension wires for Types R and S are available in several tolerances but only the standard tolerances of Specification E230 for Types RX and SX are included here.

8.8.2.1 The values of thermocouple tolerances given here represent initial values, applicable only to new thermocouple material in the as-manufactured condition. The emf of a thermocouple during use may change.

8.8.2.2 The stability of special emf tolerance wire is not necessarily greater than standard emf tolerance wire. Special emf tolerance is attained by mating selected pairs of the two wires. Emf stability is an inherent characteristic of the thermocouple alloys relative to the environment in which they are used.

8.8.2.3 Because of an expected emf shift after initial heating to high temperature and the development of inhomogeneities in the wire, it is not recommended that individual Type K or Type N thermocouples be calibrated and subsequently used to make critical temperature measurements. It is preferable to calibrate representative thermocouples from sections of each spool of wire instead and make the measurements with unheated thermocouples made from those spools.

8.8.3 Other Tolerances and Compensations—Requesting tighter tolerances than special grade from the thermocouple provider is possible but not advisable. It may incur higher costs and difficulties with availability. A more practical approach would be to calibrate samples from the lot, and apply corrections (manually or automatically) to the instrumentation to match the emf-temperature curve of the lot over the range of test.

8.9 Insulation:

8.9.1 Any degradation or decomposition of the electrical insulation between the thermocouple wires can introduce errors in the indicated temperature. Pre-insulated wire is acceptable if it is used within the temperature constraints given in Specification E574. The basic kinds of materials for this use are fiberglass, fibrous silica, or fibrous ceramic. Impregnants should be avoided, since they may contaminate the thermocouple or test specimen. (**Warning**—Silica or insulations containing boron are not suitable for use with platinum or its alloys at high temperatures.)

8.9.2 Ceramic Sleeves and Beads—Hard-fired unglazed ceramic insulators are preferred to insulate the thermocouple at the higher temperatures. Mullite (alumina + silica) insulators may be used with either Type K or Type N thermoelements. Type R and S thermoelements require high purity insulators (96 % minimum alumina).

8.9.3 Reuse of Insulators—Insulators may become soiled or contaminated by careless or inappropriate storage or handling. Because soiled or contaminated insulators can produce conduction, only clean insulators (new or used) should be used for this work.

8.10 Thermocouple Junction Fabrication:

8.10.1 Wire Preparation—Cut the thermoelement wires to length. Strip the wires with tools that do not nick the surface. Avoid excessive stretching and cold working the wire. Discard ends damaged by gripping. Wear latex, plastic, or clean cloth gloves to avoid contaminating the wires with dirty hands.

8.10.2 Welded Junctions—The diameter of the weld bead should not exceed four times the diameter of a single thermoelement wire.

8.10.2.1 Fusion of Types K and N by the tungsten-inert-gas (TIG) process is preferred. Processes based on electric arc or other non-contact fusion principles as well as electric resistance welding may be used. A clean, sound weld junction shall be produced. Fluxes, filler materials, or mercury processes should not be used.

8.10.2.2 For Type R or S junctions, an oxygen-gas torch with an excess-oxygen flame is suitable, however, this process is not recommended for Types K or N materials.

8.10.3 Mechanical Junctions—Compression fittings are acceptable, provided their durability for the intended use is

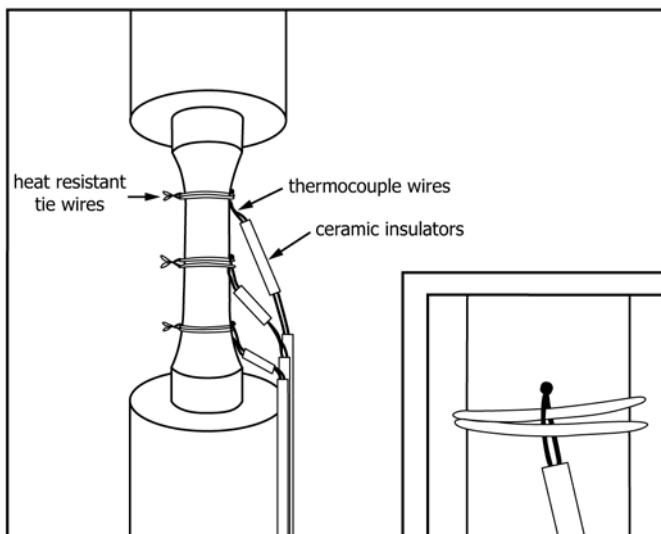


FIG. 1 Installation with Welded Junctions (Inset: Attachment Detail)

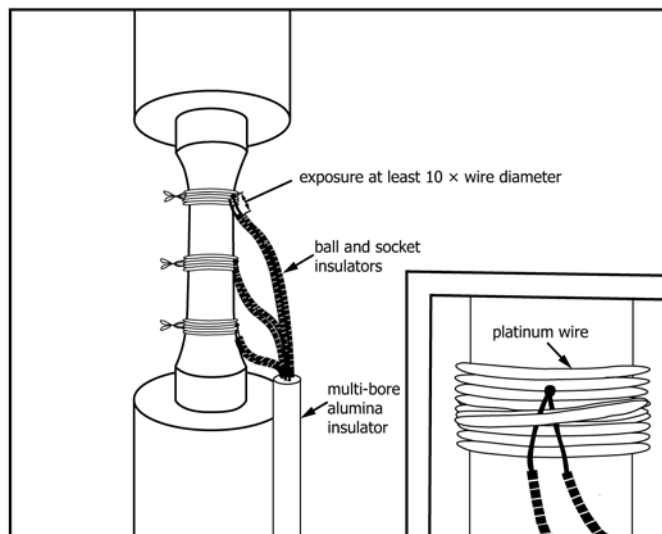


FIG. 2 Installation of Type R or S Thermocouples (Inset: Attachment Detail)

demonstrated. When using compression-type junctions, it is convenient to insert the thermoelement ends into the fitting from opposite directions so that each end extends sufficiently beyond it. This facilitates attaching the thermocouple to the specimen using the thermocouple wires themselves (see 8.12.4).

8.11 *Installation of Thermocouples*—Locate the measurement thermocouples as indicated by the profile test (see 8.2.1). Exact location of the control thermocouples will depend upon the specimen configuration and the heating system.

8.12 *Attachment of Thermocouples:*

8.12.1 *Precautions*—Attach the thermocouples to the specimen in such a way that the thermocouple measuring junction will attain thermal equilibrium with the test specimen at the attachment point. This should be done without affecting the specimen in any way. In general, the thermocouple shall be held tightly against the specimen with as good a thermal contact as possible.

8.12.2 One way to check attachment is to prepare two thermocouples that are cut adjacent from the same spool of wires. Spot weld the ends of one thermocouple to the surface, or bury its junction in a tight-fitting hole close to the junction of the attached thermocouple in an expendable sample. Compare readings of the two at operating temperatures.

8.12.3 *Welded Junctions*—The measuring junction shall be held against the specimen by wrapping a length of heat-resistant alloy wire of approximately the same diameter directly across the wires immediately behind the junction and around the specimen, as illustrated in Fig. 1. To minimize contamination of Type R or S thermocouples, employ the technique shown in Fig. 2.

NOTE 4—By wrapping a conductor across the thermoelements, the weld bead becomes shorted. This is not necessarily poor practice; it merely shifts the measuring junction from the weld bead to the points of conduction. Also, the third conductor will not affect the emf, if the path between the positive and negative legs is isothermal. In that case, the resultant emf will be that of the thermocouple wires, and it will be

unaffected by the third metal.

8.12.4 *Compression Junctions*—Attach crimped-type compression junctions by wrapping the free ends of the thermocouple wires around the specimen from opposite directions as illustrated in Fig. 3. A crimped flat on the fitting should seat against the specimen to promote good thermal contact with it.

8.12.5 *Alternate Attachments*—Other forms of thermocouple junctions or different methods of attachment may be used. Their suitability for a given test program should be demonstrated by experience or test. Any such substitute techniques shall satisfy the fundamental requirements outlined in 8.12.1.

8.13 *Thermocouple Wire Support*—Thermocouple wires and insulators should be attached to the specimen and grips to adequately support the assembly until it reaches the outside of the furnace. Sufficient slack of the wires should be provided so that any specimen elongation will carry the thermocouple junction along with it. To avoid shorting wires covered with fiber insulation, use ceramic insulators where tie wires are wrapped.

8.14 *Extension Wire:*

8.14.1 In most installations, it is convenient to use extension wires, or compensating extension wires (conductors of a different composition from the thermocouple materials, but of equivalent emf) to extend to the instrument. There is a possibility of error due to the slight mismatch in thermoelectric properties between the thermocouple and extension portions of the circuit (see Table 1). The magnitude of this error can be minimized by maintaining the temperature of the transition point (that is, where the thermocouple wires and the extension wires meet) as close to the temperature of the reference junction (where the extension wire is connected to the instrument) as practicable. For Type RX or SX extension wire in particular, minimize the temperature difference between these two points to realize the inherent accuracy of the thermocouple. For a complete analysis of possible errors, refer to MNL-12³ on Thermocouple Materials, Extension Wire.

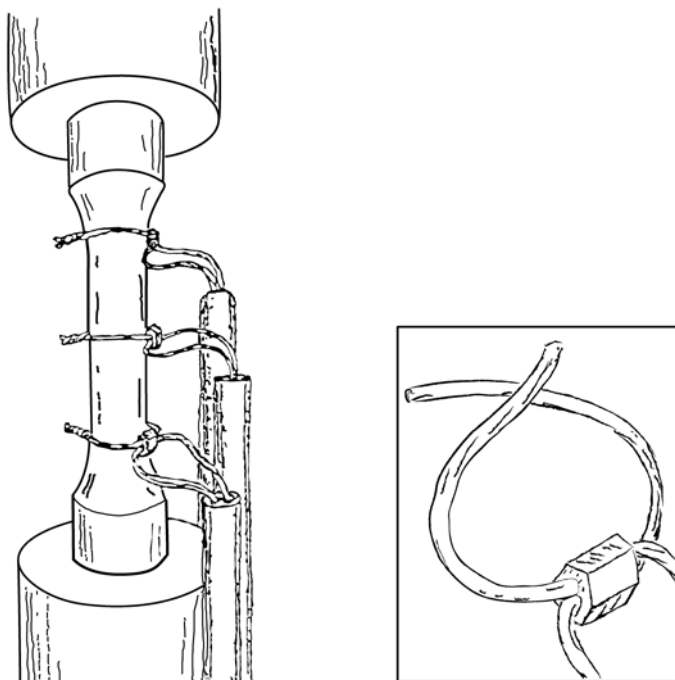


FIG. 3 Installation with Compression Junctions (Inset: Compression Junction Detail)

8.14.1.1 To determine the error contributed by the extension wire, replace the thermocouple at the transition point with an emf source of known output (for example, a calibrated thermocouple simulator), and read it at the instrument connection with a precise indicator (see [Appendix X1](#)).

8.14.2 Thermoelectric circuit wiring should be protected from electromagnetic fields that may induce spurious voltages into the system. Wherever possible, the insulated conductors should be twisted (transposed along their length) and protected with an overall shield. The shield should be grounded (one end only) or the thermoelectric wires should be run in a metal conduit, separate from power wiring.

8.15 *Connections:*

8.15.1 Where thermocouple wires are joined to extension wires, exercise care to avoid introducing that spurious emfs because of dissimilar metals in the presence of temperature gradients (see to MNL-12³, Extension Wires and Circuit Connections).

8.15.2 If terminal blocks are used, the conductors shall be specifically designed for the type of thermocouple employed.

8.15.3 If connectors are used, the conductors shall be specifically designed for the type of thermocouple employed. Connectors should be certified as meeting the criteria in [8.15](#). Otherwise, they should tested according to Specification [E1129/E1129M](#) or Specification [E1684](#).

9. Precision and Bias of Temperature Measurement

9.1 *Temperature Measurement*—An estimate of the expected uncertainty, considering all sources of error, is given in [Table 3](#).

10. Keywords

10.1 compensation; creep test; instrumentation; insulation; stress-rupture test; temperature; thermocouples; tolerance

TABLE 3 Uncertainty of Temperature Measurement^A in Stress-Rupture Testing (for example, 1200°F or 650°C in 24 h)

Thermocouple Type: Error Source	in degrees Fahrenheit					
	R or S		N		K	
	Min	Max	Min	Max	Min	Max
Calibration ^B	1.0	1.3	1.8	2.2	1.8	2.2
Uniformity ^C	0.1	0.5	0.2	2.0	0.2	2.0
Stability ^D	0.1	0.2	0.0	+1	+2	+5
Extensions ^E	0.2	0.4	0.1	0.2	0.1	0.2
Connectors ^F	0.1	0.2	0.05	0.1	0.05	0.1
Instrument ^G	0.1	1.0	0.1	1.0	0.1	1.0
Uncertainty ^H	1.0	1.8	1.8	+1 ± 3.1	+2 ± 1.8	+5 ± 3.1

Thermocouple Type: Error Source	in degrees Celsius					
	R or S		N		K	
	Min	Max	Min	Max	Min	Max
Calibration ^B	0.6	0.7	1.0	1.2	1.0	1.2
Uniformity ^C	0.05	0.25	0.1	1.0	0.1	1.0
Stability ^D	0.05	0.1	0	+0.5	+1	+2.6
Extensions ^E	0.1	0.2	0.05	0.1	0.05	0.1
Connectors ^F	0.05	0.1	0.025	0.05	0.025	0.05
Instrument ^G	0.05	0.5	0.05	0.5	0.05	0.5
Uncertainty ^H	0.6	0.9	1.0	+0.5 ± 1.6	+1 ± 1.0	+2.6 ± 1.6

^A Measurement System only.
^B Uncertainty of the thermocouple. Refer to Table 1.
^C Depending on lot size, estimated.
^D Drift of the thermocouple, estimated, awg 20 wire, at 1000 to 1800°F (530 to 980°C), after 24 h.
^E For a 10 to 20°F (5 to 10°C) difference between transition point and reference junction.
^F For a 5 to 10°F (3 to 5°C) difference across the terminal.
^G Refer to 7.1.
^H Unidirectional drift, if any, plus the square root of the sum of the squares of the uncertainties.

APPENDIX

(Nonmandatory Information)

X1. INSTRUMENTATION CALIBRATION PROCEDURE

X1.1 *Apparatus*—The accuracy of the measurement or control instrumentation, including the extension wiring (if used) in a creep or rupture test installation should be checked with Fig. X1.1.

X1.2 *Procedure*:

X1.2.1 Obtain a calibrated emf source, such as a commercial “temperature calibrator,” which is set in units of temperature and is provided with internal reference temperature compensation for the type of thermocouple being used.

X1.2.2 In place of the thermocouple, connect the emf source to the transition point with extension wire that has been calibrated (or minimize the temperature difference between the emf source and the transition point).

X1.2.3 Compare the reading of the instrument under test to the setting of the emf source to determine the magnitude of adjustment or correction required.

CALIBRATION CIRCUIT

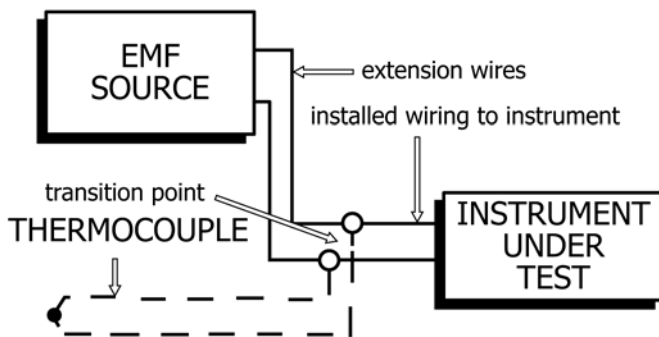


FIG. X1.1 Calibration Circuit

SUMMARY OF CHANGES

Committee E28 has identified the location of selected changes to this standard since the last issue (E633–00(2005)) that may impact the use of this standard.

- (1) Revised sections: 2.1, 6.1, 6.4, 7.2.1.1, 7.2.2, 7.3.1, 8.14, 8.15 and removed 10.2. (2) Previous Section 8, Hazards, was moved into Section 9, Thermocouples, and renumbered.

ASTM International takes no position respecting the validity of any patent rights asserted in connection with any item mentioned in this standard. Users of this standard are expressly advised that determination of the validity of any such patent rights, and the risk of infringement of such rights, are entirely their own responsibility.

This standard is subject to revision at any time by the responsible technical committee and must be reviewed every five years and if not revised, either reapproved or withdrawn. Your comments are invited either for revision of this standard or for additional standards and should be addressed to ASTM International Headquarters. Your comments will receive careful consideration at a meeting of the responsible technical committee, which you may attend. If you feel that your comments have not received a fair hearing you should make your views known to the ASTM Committee on Standards, at the address shown below.

This standard is copyrighted by ASTM International, 100 Barr Harbor Drive, PO Box C700, West Conshohocken, PA 19428-2959, United States. Individual reprints (single or multiple copies) of this standard may be obtained by contacting ASTM at the above address or at 610-832-9585 (phone), 610-832-9555 (fax), or service@astm.org (e-mail); or through the ASTM website (www.astm.org). Permission rights to photocopy the standard may also be secured from the Copyright Clearance Center, 222 Rosewood Drive, Danvers, MA 01923, Tel: (978) 646-2600; <http://www.copyright.com/>