



# Standard Test Method for Dynamic Tear Testing of Metallic Materials<sup>1</sup>

This standard is issued under the fixed designation E604; the number immediately following the designation indicates the year of original adoption or, in the case of revision, the year of last revision. A number in parentheses indicates the year of last reapproval. A superscript epsilon ( $\epsilon$ ) indicates an editorial change since the last revision or reapproval.

*This standard has been approved for use by agencies of the U.S. Department of Defense.*

## 1. Scope\*

1.1 This test method covers the dynamic tear (DT) test using specimens that are  $\frac{3}{16}$  in. to  $\frac{5}{8}$  in. (5 mm to 16 mm) inclusive in thickness.

1.2 This test method is applicable to materials with a minimum thickness of  $\frac{3}{16}$  in. (5 mm).

1.3 The pressed-knife procedure described for sharpening the notch tip generally limits this test method to materials with a hardness level less than 36 HRC.

NOTE 1—The designation 36 HRC is a Rockwell hardness number of 36 on Rockwell C scale as defined in Test Methods E18.

1.4 The values stated in inch-pound units are to be regarded as standard. The values given in parentheses are mathematical conversions to SI units that are provided for information only and are not considered standard.

1.5 *This standard does not purport to address all of the safety concerns, if any, associated with its use. It is the responsibility of the user of this standard to establish appropriate safety and health practices and determine the applicability of regulatory limitations prior to use.*

## 2. Referenced Documents

### 2.1 ASTM Standards:<sup>2</sup>

[B221 Specification for Aluminum and Aluminum-Alloy Extruded Bars, Rods, Wire, Profiles, and Tubes](#)

[E6 Terminology Relating to Methods of Mechanical Testing](#)

[E18 Test Methods for Rockwell Hardness of Metallic Materials](#)

[E399 Test Method for Linear-Elastic Plane-Strain Fracture Toughness  \$K\_{Ic}\$  of Metallic Materials](#)

<sup>1</sup> This test method is under the jurisdiction of ASTM Committee E28 on Mechanical Testing and is the direct responsibility of Subcommittee E28.07 on Impact Testing.

Current edition approved Dec. 1, 2015. Published February 2016. Originally approved as a proposed test method in 1975. Last previous edition approved in 2008 as E604 – 83(2008). DOI: 10.1520/E0604-15.

<sup>2</sup> For referenced ASTM standards, visit the ASTM website, [www.astm.org](http://www.astm.org), or contact ASTM Customer Service at [service@astm.org](mailto:service@astm.org). For *Annual Book of ASTM Standards* volume information, refer to the standard's Document Summary page on the ASTM website.

## 3. Terminology

### 3.1 Definitions of Terms Common in Mechanical Testing:

3.1.1 The definitions of mechanical testing terms that appear in Terminology E6 apply to this test method.

### 3.2 Definitions of Terms Specific to This Standard:

3.2.1 *dynamic tear (DT) energy*—the total energy required to fracture DT specimens tested in accordance with the provisions of this test method.

3.2.1.1 *Discussion*—With pendulum-type machines, the DT energy is the difference between the initial and the final potential energies of the pendulum or pendulums.

3.2.1.2 *Discussion*—With drop-weight machines, the DT energy is the difference between the initial potential energy of the hammer and the final energy of the hammer as determined by a calibrated energy measurement system.

3.2.2 *percent shear fracture appearance*—the percent of the net section that fractured in a shear mode.

3.2.2.1 *Discussion*—Net section may be either the net section area before fracture or the area of the projected plane of the fracture surface.

## 4. Summary of Test Method

4.1 The DT test involves a single-edge notched beam that is impact loaded in three-point bending, and the total energy loss during separation is recorded.

4.2 The DT specimens are fractured with pendulum or drop-weight machines.

## 5. Significance and Use

5.1 The DT energy value is a measure of resistance to rapid progressive fracturing. In a number of applications, the enhanced resistance that may develop during about one plate thickness of crack extension from a sharp notch is of major interest. In the test method, a sufficiently long fracture path is provided so that the results serve as a measure of this property.

5.2 Fracture surfaces of nonaustenitic steels tested in their temperature transition region have areas that appear bright and areas that appear dull. The bright, faceted appearing areas are termed “cleavage” fracture, and the dull appearing areas are termed “shear” fracture after their respective mode of fracture on a micro scale.

\*A Summary of Changes section appears at the end of this standard

5.3 This test method can serve the following purposes:

5.3.1 In research and development, to evaluate the effects of metallurgical variables such as composition, processing, or heat treatment, or of fabricating operations such as forming and welding on the dynamic tear fracture resistance of new or existing materials.

5.3.2 In service evaluation, to establish the suitability of a material for a specific application only where a correlation between DT energy and service performance has been established.<sup>3</sup>

5.3.3 For information, specifications of acceptance, and manufacturing quality control when a minimum DT energy is requested. Detailed discussion of the basis for determining such minimum values in a particular case is beyond the scope of this test method.

6. Apparatus

6.1 *General Requirements*—The testing machine shall be either a pendulum type or a drop-weight type of capacity more than sufficient to break the specimen in one blow. DT energy values above 80 % of the initial potential energy of the blow are invalid. The capacity needed to conduct DT tests on most steels is 2000 ft-lbf (2700 J) for 5/8-in. (16-mm) and 500 ft-lbf (700 J) for 3/16-in. (5-mm) thick specimens. The capacity needed to conduct DT tests on the cast irons and aluminum alloys is less than 20 % of the values given above for most steels.

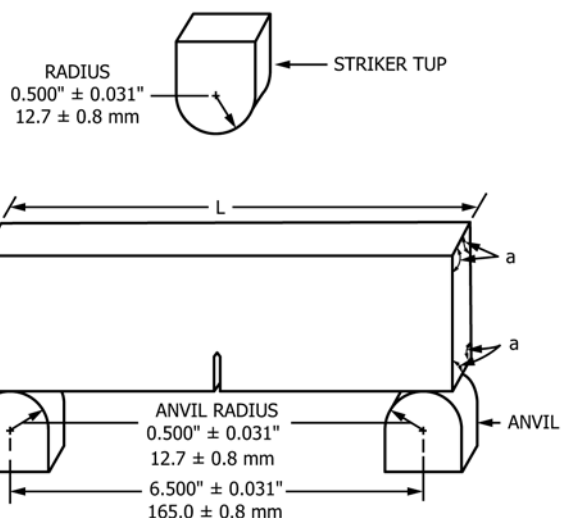
6.1.1 *Velocity Limitations*—Tests may be made at velocities that range from 13 to 28 ft/s (4.0 to 8.5 m/s). Velocity shall be stated as the velocity between the striker and the specimen at impact. This range in velocities corresponds to that of hammers dropped from heights of 32 in. to 12 ft (0.8 to 3.7 m).

6.1.2 The impact machine shall have a calibrated scale, charts, or direct-reading indicator of initial and final energy values, or the difference between the initial and final energy values. The scale, chart, or direct-reading indicator shall be divided so that DT energy values can be estimated within the following increments:

DT Energy Value	Maximum Increment
<40 ft-lbf (54 J)	2 ft-lbf (3 J)
40–600 ft-lbf (54–800 J)	5 % of DT energy
>600 ft-lbf (800 J)	30 ft-lbf (40 J)

6.1.2.1 The error in the DT energy value due to an error in the weight of the pendulum or the dropping weight, or due to an error in drop height, shall not exceed 1 %. Windage and friction may be compensated for by increasing the height of the drop, in which case the height may exceed the nominal value by not over 2.0 %.

6.1.3 The specimen anvil and the striker tup shall be of steel hardened to a minimum hardness value of 48 HRC and shall conform to the dimensions presented in Fig. 1. Clearance between the sides of the hammer and anvil shall not be less than 2.0 in. (51 mm), and the center line of the striker edge shall advance in the plane that is within 0.032 in. (0.80 mm) of the midpoint between the supporting edges of the specimen anvils. The striker edge shall be perpendicular to the longitu-



Parameter	Units	Dimension	Tolerance
Length, <i>L</i>	in.	7.125	±0.125
	mm	181	±3
Width, <i>W</i>	in.	1.60	±0.10
	mm	41	±2
Thickness, <i>B</i>	in.	0.625	±0.035
	mm	16	±1
Angularity, $\alpha$	deg	90	±1

NOTE 1—See 9.1 for specimens less than 5/8-in. (16 mm) thick.

FIG. 1 Dynamic Tear Test Specimen, Anvil Supports, and Striker

dinal axis of the specimen within 0.01 rad. When in contact with the specimen, the striker edge shall be parallel within 0.005 rad to the face of a square test specimen held against the anvil. Specimen supports for pendulum machines shall be square with anvil faces within 0.0025 rad. Specimen supports shall be coplanar within 0.005 in. (0.125 mm) and parallel within 0.002 rad.

6.2 The design of the pendulum impact machines shall position the center of percussion at the center of strike within 1 % of the distance from the center of rotation to the center of the strike. When hanging free, the pendulums shall hang so that the striking edge is less than 0.20 in. (5.0 mm) from the edge position of the specimen.

6.2.1 The location of the center of percussion may be determined as follows: Using a stop watch or some other suitable timer to within 0.2 s, swing the pendulum through a total angle not greater than 15°, and record the time for 100 complete cycles (to and fro). Determine the center of percussion as follows:

$$l = 0.815\rho^2, \text{ to determine } l \text{ in feet} \tag{1}$$

$$l = 0.2485\rho^2, \text{ to determine } l \text{ in metres}$$

where:

*l* = distance from the axis to the center of percussion, ft (or m), and

$\rho$  = time of a complete cycle (to and fro) of the pendulum, s.

<sup>3</sup> Pellini, W. S., "Analytical Design Procedures for Metals of Elastic-Plastic and Plastic Fracture Properties," *Welding Research Council Bulletin 186*, August 1973.

6.2.2 For double-pendulum machines, the center of percussion of each pendulum shall be determined separately.

### 7. Safety Hazards

7.1 A safety screen shall surround the anvil to restrict the flight of broken specimens.

7.2 Precautions shall be taken to protect personnel from swinging pendulums, dropping weights, flying broken specimens, and hazards associated with specimen warming and cooling media.

### 8. Sampling

8.1 Notation of the orientation of base metal specimens shall be in accordance with Test Method E399.

### 9. Test Specimens

9.1 *Size of Specimens*—The specimen blank shall be  $B$  by 1.60 by 7.125 in. ( $B$  by 40.6 by 181.0 mm) where  $B$  can be from  $\frac{3}{16}$  to  $\frac{5}{8}$  in. (5 to 16 mm). The tolerances for these dimensions are presented in Fig. 1.

9.1.1 If the thickness of the product is greater than  $\frac{5}{8}$  in. (16 mm) then a  $\frac{5}{8}$  in. (16 mm) thick specimen shall be the standard specimen.

9.2 *Notch Detail*—The notch is machined to provide a fracture path in test material of 1.125 in. (28.5 mm); the small extension required for notch sharpening is considered a portion of the nominal net section. The notch dimensions shall conform to the values given in Fig. 2.

#### 9.3 Procedure for Preparing Notch:

9.3.1 *Rough Machining*—Machine a notch to the dimensions shown in Fig. 2. The angular apex portion and particularly the final cut on the root radius may be machined with a precisely ground saw, cutter, electric discharge machine, or any other machining process that will ensure a final root radius less than 0.005 in. (0.13 mm).

NOTE 2—These machining operations are normally performed simultaneously for a group of specimens.

9.3.2 *Pressing Notch Tip*—Press the sharp tip of the notch to the dimensions prescribed in Fig. 2 on individual specimens. Make the impression with a blade of high-speed tool steel (60 HRC min) that has been ground to the dimensions presented in Fig. 3, and subsequently honed to remove any burrs or rough edges. Any loading device with sufficient capacity to press the knife to the prescribed depth may be used.

NOTE 3—Suggested practices for measuring the pressed tip and for pressing the notch tip are given in the Appendixes. The force required to accomplish the pressing is related to the hardness and the thickness of the specimen. The force required can be estimated by either of the following formulas:

$$\text{force (lbf)} = 47 \times \text{tensile strength (ksi)} \times B \text{ (in.)}$$

$$\text{force (N)} = 2.9 \times \text{tensile strength (MPa)} \times B \text{ (mm)}$$

where:

$B$  = thickness of the specimen.

### 10. Calibration of Apparatus

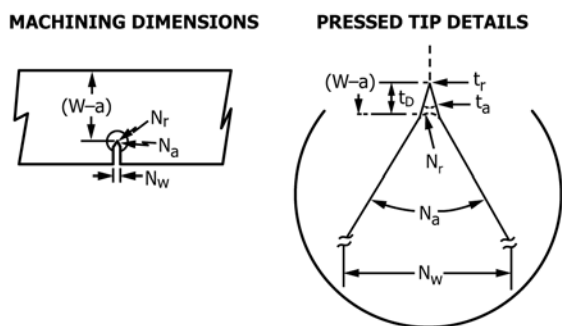
10.1 *Single-Pendulum Machine*—Support the pendulum horizontally ( $90 \pm 1^\circ$  from the rest position) at a point most convenient to react with a weighing device such as a platform scale, balance, or load cell, and determine the weight within 0.4 %. Take care to minimize friction at the bearing support and the weighing support. Measure the length of the moment arm (that is, the horizontal distance between the center of rotation and a vertical line that passes through the point of support) within 0.1 %. The potential energy at any angular position can be calculated from the following formula:

$$\text{Energy} = \text{weight} \times \text{moment arm} (1 - \cos \beta)$$

where  $\beta$  = the angle displaced when the pendulum is rotated from the position of rest when hanging free. An alternative procedure may be used if the distance between the center of rotation and the center of gravity is known within 0.1 %. The weight is then determined within 0.4 %, with the pendulum supported horizontally at a point in line with the center of gravity. The potential energy at any position is equal to the weight times the elevation of the center of gravity from the rest position.

10.1.1 The friction and windage loss of energy in the machine shall not exceed 2.0 % of the initial energy. The friction and windage loss is the difference between the potential energy of the pendulum from the starting position and the potential energy of the pendulum after it completes its swing without a specimen. Compensate the friction and windage loss so that zero energy is indicated when the pendulum is released without a specimen being present.

10.1.2 *Impact Velocity*—Determine the impact velocity,  $v$ , of the machine, neglecting friction as follows:



Dimensions and Tolerances for Notch Tip

Parameter	Units	Dimension	Tolerance
Net width, $(W - a)$	in.	1.125	$\pm 0.020$
	mm	28.6	$\pm 0.5$
Machined notch width, $N_w$	in.	0.0625	$\pm 0.005$
	mm	1.59	$\pm 0.13$
Machined notch root angle, $N_a$	deg	60	$\pm 2$
Machined notch root radius, $N_r$	in.	0.005	max
	mm	0.13	max
Pressed tip depth, $t_D$	in.	0.010	$\pm 0.005$
	mm	0.25	$\pm 0.13$
Pressed tip angle, $t_a$	deg	40	$\pm 5$
Pressed tip root radius, $t_r$	in.	0.001	max
	mm	0.025	max

FIG. 2 Details of the Notch in a Dynamic Tear Specimen

NOTCH SHARPENING KNIFE EDGE BLADE

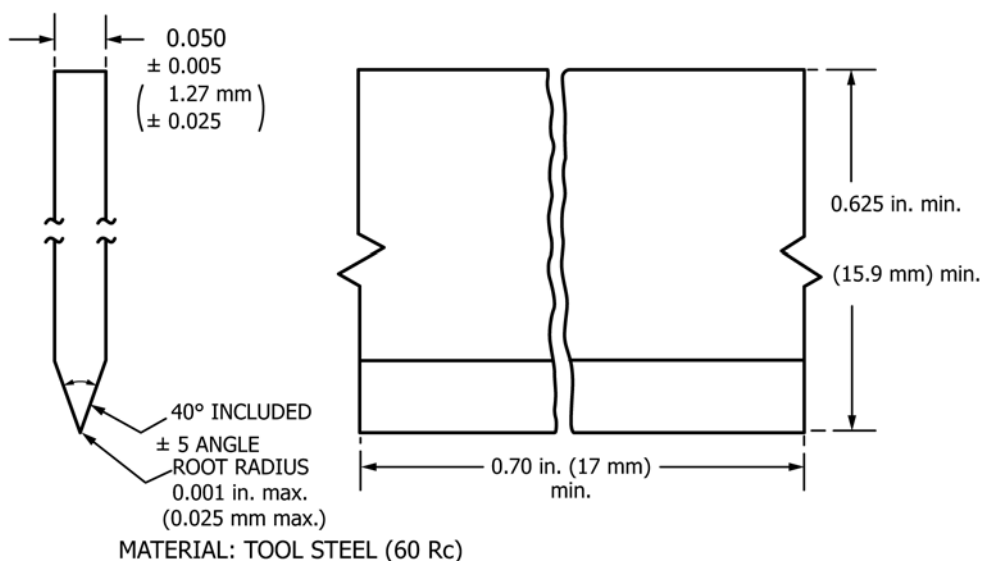


FIG. 3 Knife for Sharpening Tip of Notch in Dynamic Tear Specimen

$$v = (2 gh)^{1/2}$$

where:

- $g$  = acceleration of gravity, ft/s<sup>2</sup> (or m/s<sup>2</sup>),
- $h$  = initial elevation of the striking edge, ft (or m), and
- $v$  = striking velocity, ft/s (or m/s).

10.2 *Double-Pendulum Machine*—The procedure for calibrating the hammer pendulum and the anvil pendulum shall be in accordance with the procedure in 10.1 for a single-pendulum machine. Calibrate the anvil pendulum without a specimen in place.

10.2.1 Determine and compensate the friction and windage loss of energy in accordance with the procedure described in 10.1.1.

10.3 *Vertical Drop-Weight Apparatus*—The dimensions of the apparatus shall be such that the falling hammer travels a minimum vertical distance of 2 in. (51 mm) after contacting the specimen before measurement is made of the final energy and 2.75 in. (70 mm) before an arresting device is activated, as shown in Fig. 4.

10.3.1 Calibration of an aluminum block system is required for each lot of blocks machined from a single bar. Segregate and mark for identification purposes blocks that have been prepared from each bar. The initial cross-sectional area of blocks from one lot shall not vary more than 0.2 %. Determine the average height of the blocks before and after test and record with an error not to exceed 0.0005 in. (0.013 mm). Develop a chart of absorbed energy versus deformation of blocks by conducting duplicate tests without a specimen at height increments not to exceed 1 ft (305 mm) through the calibrated range. Average the deformation values for the two blocks from each test; the average values for each height position shall agree within 0.003 in. (0.075 mm). Calculate the absorbed energy as the weight of the hammer times the height from the

top surface of the aluminum blocks to the surface of the hammer that strikes the aluminum blocks. Construct a graph of absorbed energy versus the deformation of the aluminum blocks as a smooth curve through the data points in the calibrated range. The dimensions of the aluminum blocks shall be such that the stiffness of a single block at any point in the calibrated range shall be as follows:

DT Energy Value	Stiffness per Block
50 ft-lbf (74 J) and under	1 ft-lbf/0.001 in. (54 J/mm)
greater than 50 ft-lbf (74 J)	2.5 ft-lbf/0.001 in. (136 J/mm)

NOTE 4—This level of sensitivity permits the use of two aluminum blocks having an initial height of 1.5 in. (40 mm) and an initial diameter of 0.5 in. (13 mm) when less than 1000 ft lbf (1400 J) are absorbed by the two blocks. Specification B221 alloy 1060, 1100, or 6061 in the O temper condition or after annealing at 775°F (413°C) and furnace cooling are alloys that can meet these requirements.

10.3.2 Testing of DT specimens shall be conducted with the aluminum blocks at the same temperature used for calibration within 10°F (5.6°C).

10.3.3 The friction and windage loss shall not decrease the velocity of the strike by more than 1 % of the striking velocity as calculated in accordance with 10.1.2. Compensation for friction and windage loss may be made by adjusting the calibration curve of absorbed energy versus block deflection or by increasing the height of the drop to achieve the frictionless velocity as calculated in accordance with 10.1.2.

10.3.4 *Calibration of light-beam sensor velocity measurement device*—Dynamic tear energy may be obtained from measurements of hammer velocity before the strike and after the specimen has broken. The velocity is determined from a measurement of the time required for a target blade of known width to interrupt a narrow beam of light. The indicated or calculated velocity of the hammer over the calibrated range of the machine shall be equal to the velocity calculated in accordance with 10.1.2 within 1 %.

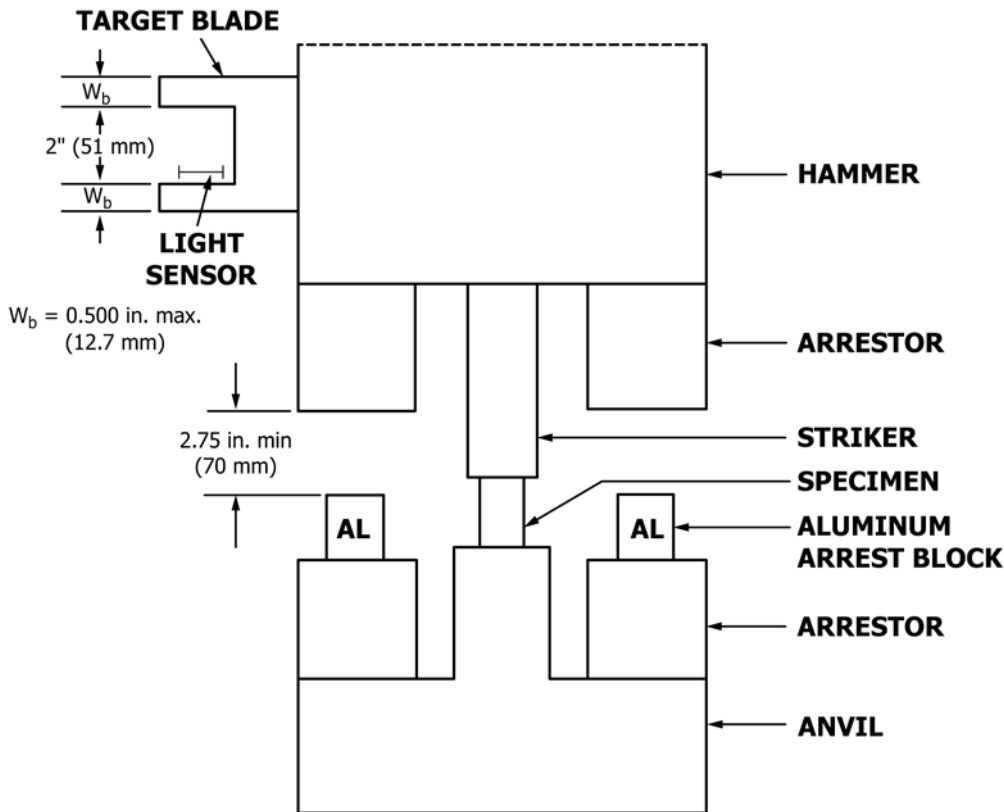


FIG. 4 Striker, Anvil, Aluminum Block Arrestors and Light Beam Velocity Sensor in a Vertical Drop-Weight Dynamic Tear Test Machine

**11. Procedure**

11.1 In the temperature range from  $-100$  to  $+212^{\circ}\text{F}$  ( $-75$  to  $100^{\circ}\text{C}$ ), employ the procedure described in 11.1.1 and 11.1.2.

11.1.1 Completely immerse the specimens in a bath of suitable liquid at a temperature with  $\pm 2^{\circ}\text{F}$  ( $\pm 1^{\circ}\text{C}$ ) of the desired test temperature for a minimum of 15 minutes prior to testing. Separate the specimens by a distance at least equal to the thickness of the specimen. Support specimens placed horizontally in the bath on a screen or perforated platform at least 1 in. (25 mm) from the bottom. Make provision for circulation of the bath to assure uniform bath temperature. Alternatively, other methods of heating and cooling may be used, provided they produce equivalent time at temperature of the specimens.

11.1.2 Remove the specimens from the bath and break as described herein within a time period of 10 s. If the specimens are held out of the bath longer than 10 s, return them unbroken to the bath for a minimum of 10 minutes. Do not handle the specimens in the vicinity of the notch by devices whose temperature is appreciably different from the test temperature.

11.2 For temperatures outside of the range specified in 11.1, maintain the specimen temperature at the time of impact within  $\pm 2^{\circ}\text{F}$  ( $\pm 1^{\circ}\text{C}$ ) of the desired test temperature.

11.3 Place the specimen against the anvil supports so that the centerline of the striker is aligned within  $\pm 0.03$  in. ( $\pm 0.8$  mm) of the apex of the notch.

11.4 If any specimen jams in the machine, disregard the result and check the machine thoroughly for damage or maladjustments that would affect its calibration.

11.5 When requested, a fracture surface may be rated for “percent shear fracture appearance” by visually or instrumentally determining the relative amount of shear fracture present. The method used to determine percent shear fracture appearance should be agreed upon by the user and the producer. One method for determining percent shear fracture appearance is in [Appendix X3](#).

**12. Report**

12.1 A report shall include the material identification, test temperature, thickness of the specimen, and DT energy. When requested, the report shall also include, for base materials, the specimen orientation in the product, thickness of the product, heat number, and percent shear fracture appearance.

**13. Precision and Bias**

13.1 The precision and bias of the measurement obtained with this test method depend upon the material and the temperature of the test.<sup>4</sup>

<sup>4</sup> Supporting data have been filed at ASTM International Headquarters and may be obtained by requesting Research Report RR:E24-1000 and RR:E24-1007.



**APPENDIXES**
**(Nonmandatory Information)**
**X1. MEASURING THE DEPTH OF THE PRESSED NOTCH TIP**
**X1.1 Introduction**

X1.1.1 The depth of the pressed notch tip in a dynamic tear specimen is the reduction in the net width dimension that results from sharpening a machined notch with a knife. The net width of a  $\frac{5}{8}$ -in. (16-mm) dynamic tear specimen after the notch has been machined and before the notch tip has been pressed is a nominal 1.125 in. (28.5 mm). Pressing the notch tip reduces the net section approximately 1 %, or a nominal 0.010 in. (0.25 mm), and because of the close tolerances on the depth of the pressed tip, accurate measurement of the pressed notch depth is required on selected specimens for control purposes. These measurements can be made with an optical instrument to a precision of 0.0005 in. (0.013 mm). Care must be taken in removing all burrs from the machined notch to obtain an accurate reference point for its apex. The other reference point from which the notch tip is to be measured may be at either edge of the specimen or at some fine line that has been scribed on the specimen.

**X1.2 Measuring the Depth of the Pressed Notch Tip with an Optical Comparator**

X1.2.1 This procedure uses a reflected image at 20× or 50× magnification, and identifying marks on the two sides of the specimen. Proceed as follows:

X1.2.1.1 Position a thin (1 to 2-mm) plate on the stage that can act as a reproducible reference stop for the edge of the surface on which the measurement is to be made.

X1.2.1.2 Place the specimen against the stop and position the stage so that the edge of the stop plate is coincident with a reference line on the viewing screen, and then zero the stage micrometer. A sharp corner on the stop plate is a convenient reference for the position of the edge of the specimen.

X1.2.1.3 Measure the distance between the reference edge and the apex of the machined notch using an appropriate gage block to offset most of the movement of the stage.

X1.2.1.4 Record the initial distance between the apex of the machined notch and the reference line.

X1.2.1.5 Turn the specimen over and repeat steps X1.2.1.2, X1.2.1.3, and X1.2.1.4.

X1.2.1.6 Press the knife blade into the specimen using one of the procedures in Appendix X2.

X1.2.1.7 Place the specimen on the stage as in step X1.2.1.2 and measure the distance between the reference line and the tip of the pressed notch. Make this measurement on both sides of the specimen.

X1.2.1.8 The depth of the pressed notch tip is the difference between the measurements obtained in steps X1.2.1.4 and X1.2.1.7. The depth of the pressed notch tip on both sides of the specimen should be within the dimensions in Fig. 2.

**X1.3 Measuring the Depth of the Pressed Notch Tip with a Filar Microscope**

X1.3.1 Measurement can be made at magnifications of 20× to 50× using a micrometer slide, a micrometer stage, or a micrometer eyepiece, as follows:

X1.3.1.1 Scribe a fine line on both of the surfaces of the specimen approximately 0.1 in. (2.5 mm) from the apex of the machined notch. This can be accomplished with a sharp knife or a scribe with a diamond point.

X1.3.1.2 Place an identification mark on the specimen so that each side can be identified.

X1.3.1.3 Measure the distance between the apex of the machined notch and the scribed line on both sides of the specimen.

X1.3.1.4 Press the notch tip in accordance with one of the procedures in Appendix X2.

X1.3.1.5 Measure the distance between the tip of the pressed notch and scribed line on both sides of the specimen.

X1.3.1.6 The depth of the pressed notch tip is the difference between the measurements obtained in steps X1.3.1.3 and X1.3.1.5. The depth of the pressed notch tip should be within the dimensions in Fig. 2.

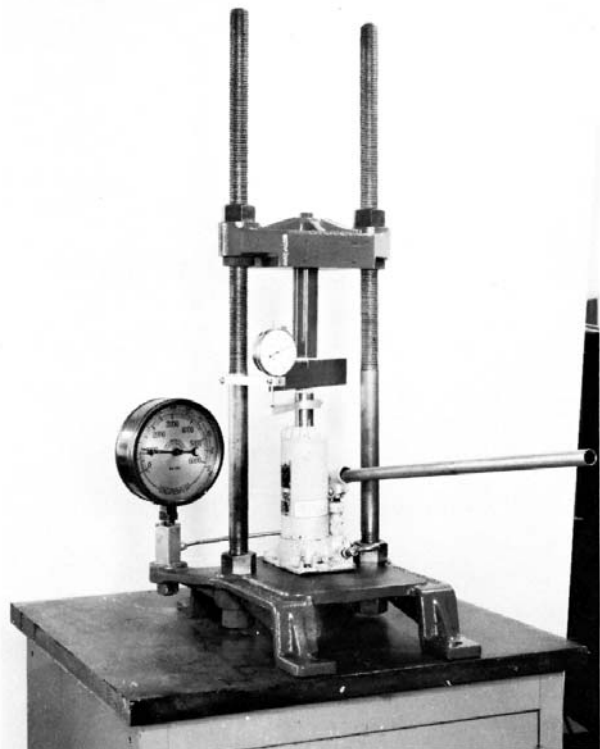
## X2. PRESSING THE NOTCH TIP

### X2.1 Introduction

X2.1.1 Pressing the sharp tip of the notch in a dynamic tear specimen is performed on individual specimens using a loading device with sufficient capacity to produce the notch-tip geometry prescribed in Fig. 2. Hydraulic or mechanical loading machines with either load or displacement control can be used. The load necessary to press the notch tip in steel specimens varies from 3000 to 8000 lbf (13 to 36 kN) depending upon the yield strength and strain hardening characteristics of the material. The displacement between the heads of the loading machine or between the moving head and the specimen can be used as a control parameter for notching, but there is no direct relationship between machine head travel and notch depth. Therefore, when the actual notch depth is measured it should be measured on the specimen before and after pressing using one of the procedures described in Appendix X1.

### X2.2 Pressing the Notch Tip with a Hand-Operated Hydraulic Press

X2.2.1 A setup for performing this operation is shown in Fig. X2.1. The sequence of the operation is as follows:



NOTE 1—The dial gauge micrometer device indicates the depth of penetration, but a direct measurement of the pressed tip depth is recommended.

FIG. X2.1 Hand-Operated Hydraulic Press for Pressing a Sharp Tip on the Machined Notch in Dynamic Tear Specimens

X2.2.1.1 Check the knife for sharpness and place in the notch of the specimen or clamp in a suitable holding device on the upper crosshead.

X2.2.1.2 Advance the piston to provide contact between the knife, specimen, and head of the press.

X2.2.1.3 Check the alignment between the knife and specimen and the knife and loading head and, if necessary, shim the specimen to ensure that a uniform impression is made in the specimen.

X2.2.1.4 Apply a small preload of approximately 40 lbf (180 N) and set the dial micrometer at zero.

X2.2.1.5 Apply sufficient pressure to press the knife into the specimen and produce a pressed tip in accordance with the dimensions in Fig. 2. The displacement between crosshead and specimen will be greater than the resultant pressed depth, and the proper dial reading to produce a standard specimen must be determined by trial and error.

### X2.3 Pressing the Notch Tip with a Large-Capacity Hydraulic Press Using the Dimensions of the Knife and Specimen for Control of Notch Depth

X2.3.1 A hydraulic press with a 4-ton (36-kN) minimum capacity or more can be used to press notch tips with this procedure, which requires the specimen to be machined to closer tolerances in the width dimension than those prescribed in Fig. 1.

X2.3.1.1 Machine the specimens to a tolerance in the notch depth dimension of  $\pm 0.001$  ( $\pm 0.025$  mm). Grind the knife blade longer than the notch depth by 0.010 in. (0.25 mm).

X2.3.1.2 Place the knife blade in the notch and press into the specimen until the knife is flush with the surface of the specimen. A sharp rise in pressure is noted when pressing is complete and no displacement or load readings are required.

X2.3.1.3 After each pressing, inspect the knife blade for sharpness to assure compliance with the dimensions in Fig. 3.

### X2.4 Pressing the Notch Tip with a Universal Testing Machine and a Scribed Reference Line

X2.4.1 Select three specimens from a set of test specimens all the same grade or class of steel, and scribe a short (0.1-in. (2.5-mm)) line 0.010 in. (0.25 mm) below the tip of the machine notch. The scribe line can be made with a sharp knife under 10 $\times$  magnification. Machinists' blue dye can be used to improve the visibility of the scribe line.

X2.4.2 Mount the knife in the upper crosshead of the testing machine and place the specimen on the lower surface with the machined notch up.

X2.4.3 Press the knife edge into the apex of the machined notch until the knife edge touches the scribed line. The movement of the knife edge can be observed with a 10 $\times$  microscope.

X2.4.4 Record the force required to press the knife to the scribed line.

X2.4.5 Determine the actual pressed notch depth in accordance with a procedure described in [Appendix X1](#).

X2.4.6 Repeat steps [X2.4.3](#), [X2.4.4](#), and [X2.4.5](#) with a second specimen. If the pressed tip depth of the two specimens is in accordance with the dimensions given in [Fig. 2](#), proceed to [X2.4.7](#); otherwise, repeat [X2.4.6](#) with the third specimen.

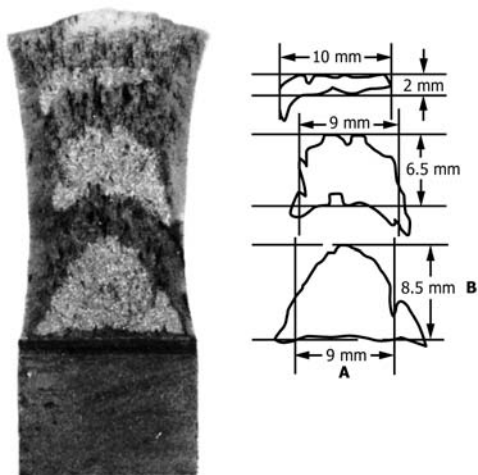
X2.4.7 Press the notch tips in the remaining specimens of the set using the force established in [X2.4.4](#). After each pressing, check the knife blade for sharpness. Check the notch depth after every ten specimens for low-strength steels (yield strength = 40 ksi (280 MPa)) and more frequently for steels of higher yield strength.

### X3. DETERMINATION OF PERCENT SHEAR FRACTURE APPEARANCE

#### X3.1 Introduction

X3.1.1 The cleavage or bright appearing portions of dynamic tear fractures of nonaustenitic steels in their temperature transition range are generally irregular in shape.

X3.1.2 Determination of the amount of cleavage area present can be simplified by converting these irregular cleavage areas to rectangular shapes. This is done by visually shifting portions of an area to arrive at a square or rectangular shape. [Fig. X3.1](#) illustrates this technique on an example fracture. The remaining area of the fracture is considered to be shear fracture.



NOTE 1—This fracture exhibited a 66 % shear fracture appearance. (Photo enlarged approximately two and a half times.)

**FIG. X3.1 Typical Dynamic Tear Fracture Showing Rectangular Areas Used to Approximate the Cleavage Portions of the Fracture**

X3.1.3 Other techniques can be used to determine percent shear fracture such as, estimating visually the relative amount of cleavage and shear present, measuring the cleavage areas on photographs with a planimeter, or the using an automated light-sensing device that scans either the fracture itself or photographs of the fracture.

#### X3.2 METHOD FOR MEASURING CLEAVAGE AREAS BY RECTANGULATION

X3.2.1 Select the flatter of the two fracture surfaces from a broken specimen for ease of measurement. Hold the fracture surface at whatever angle is best for distinguishing the outline of the cleavage portion(s) of the fracture.

X3.2.2 A ruler graduated in millimetres is recommended for measuring the dimensions of the cleavage areas, however, a rule with any other unit of measure would be appropriate.

X3.2.3 Determine the area of each cleavage portion of the fracture from Dimensions *A* and *B* of the equivalent rectangular area as shown in [Fig. X3.1](#). Dimensions *A* and *B* can be estimated to the nearest 0.5 mm. Add all of these areas together to obtain the cleavage fracture area.

#### X3.3 CALCULATION OF PERCENT SHEAR FRACTURE APPEARANCE

X3.3.1 Determine the total area of a projected plane of the fracture using the same technique as in [X3.2.3](#) for converting irregular shapes to equivalent regular shapes.

X3.3.2 Obtain the shear fracture area by subtracting the cleavage area from the total fracture area.

X3.3.3 Express the ratio of shear area to total fracture area in “percent shear fracture appearance” by multiplying the ratio by 100.



**SUMMARY OF CHANGES**

Committee E28 has identified the location of selected changes to this standard since the last issue (E604–83(2008)) that may impact the use of this standard.

- |   |  |
|---|--|
| <p>(1) Revisions were made to sections that have shall/should/may issues,</p> <p>(2) terms whose form violates the Form and Style Manual,</p> | <p>(3) issues where procedural information contained in notes, and where explanatory information is contained in a numbered section.</p> |
|---|--|

*ASTM International takes no position respecting the validity of any patent rights asserted in connection with any item mentioned in this standard. Users of this standard are expressly advised that determination of the validity of any such patent rights, and the risk of infringement of such rights, are entirely their own responsibility.*

*This standard is subject to revision at any time by the responsible technical committee and must be reviewed every five years and if not revised, either reapproved or withdrawn. Your comments are invited either for revision of this standard or for additional standards and should be addressed to ASTM International Headquarters. Your comments will receive careful consideration at a meeting of the responsible technical committee, which you may attend. If you feel that your comments have not received a fair hearing you should make your views known to the ASTM Committee on Standards, at the address shown below.*

*This standard is copyrighted by ASTM International, 100 Barr Harbor Drive, PO Box C700, West Conshohocken, PA 19428-2959, United States. Individual reprints (single or multiple copies) of this standard may be obtained by contacting ASTM at the above address or at 610-832-9585 (phone), 610-832-9555 (fax), or [service@astm.org](mailto:service@astm.org) (e-mail); or through the ASTM website ([www.astm.org](http://www.astm.org)). Permission rights to photocopy the standard may also be secured from the Copyright Clearance Center, 222 Rosewood Drive, Danvers, MA 01923, Tel: (978) 646-2600; <http://www.copyright.com/>*