



Standard Guide to Interpretation of Radiographs of Semiconductors and Related Devices¹

This standard is issued under the fixed designation E431; the number immediately following the designation indicates the year of original adoption or, in the case of revision, the year of last revision. A number in parentheses indicates the year of last reapproval. A superscript epsilon (ϵ) indicates an editorial change since the last revision or reapproval.

1. Scope

1.1 This guide provides illustrations of radiographs of semiconductors and related devices. Low powered transistors (through the TO-11 case configuration), diodes, low-power rectifiers, power devices, and integrated circuits are illustrated with common assembly features. Particular areas of construction are featured for these devices detailing critical points of design or assembly.

1.2 *This standard does not purport to address all of the safety concerns, if any, associated with its use. It is the responsibility of the user of this standard to establish appropriate safety and health practices and determine the applicability of regulatory limitations prior to use.*

2. Referenced Documents

2.1 *ASTM Standards:*²

E801 Practice for Controlling Quality of Radiological Examination of Electronic Devices

E1161 Practice for Radiologic Examination of Semiconductors and Electronic Components

E1255 Practice for Radioscopy

E1316 Terminology for Nondestructive Examinations

3. Terminology

3.1 Definitions of terms used in these reference illustrations may be found in Terminology **E1316**, Section D.

4. Significance and Use

4.1 Illustrations provided in this guide are intended for use as references to aid in interpreting film or nonfilm images

¹ This guide is under the jurisdiction of ASTM Committee **E07** on Nondestructive Testing and is the direct responsibility of Subcommittee **E07.02** on Reference Radiological Images.

Current edition approved June 1, 2016. Published June 2016. Originally approved in 1971. Last previous edition approved in 2011 as E431 - 96(2011). DOI: 10.1520/E0431-96R16.

² For referenced ASTM standards, visit the ASTM website, www.astm.org, or contact ASTM Customer Service at service@astm.org. For *Annual Book of ASTM Standards* volume information, refer to the standard's Document Summary page on the ASTM website.

resulting from x-ray examinations (see **Table 1**) to ascertain quality of assembly and workmanship.

4.2 Required attributes of the design features or other construction details are not provided but are to be established as mutually agreed upon by manufacturers and users of these devices. Many devices share common assembly features; thus, these interpretations can be used for components not illustrated.

5. Use of Illustrations

5.1 The illustrations in this guide are for use in interpreting radiographs of semiconductors and related devices. They provide reference points and information on the critical areas of such devices. These points must be clearly resolved in the radiographs being interpreted. The radiographs to be interpreted must comply with the requirements of Practice **E801** to ensure suitable image quality with minimal distortion. Additional information on the application of radiographic techniques to semiconductors and electronic components may be found in Test Method **E1161**.

5.2 The illustrations in this guide may also be used to interpret the radiosopic images of semiconductors and related devices when using radiosopic techniques. The radiosopic images to be interpreted must comply with the requirements of Practice **E801** to ensure suitable image quality with minimal distortion. Additional information on the application of radiosopic techniques may be found in Test Method **E1161** and Practice **E1255**.

6. Description

6.1 Description of irregularities and applicable figures are shown in **Table 1**.

7. Keywords

7.1 electronic devices; nondestructive testing; radiographs; radiography; reference illustrations; semiconductors; x-ray

TABLE 1 Irregularity Description and Figure References

Item and Irregularity	Expressed as	Figure Reference
Transistors, low-power (TO-11 and smaller packages)		
Extraneous matter	Any material contained in the semiconductor device that is not necessary for its manufacture or operation.	1
Internal lead irregularities, bond-to-post connection	Leads extending beyond attachment points at either end. Allowable extension should be stated in wire diameters.	2(a)
	Slack leads deviate from a straight line between attachment points. Allowable deviation should be stated in wire diameters.	2(b)
	Internal lead clearance is the distance between the edge of the chip and lead wire. Allowable clearance should be stated in wire diameters.	2(c)
Post-position irregularities	Allowable deviations of the post from its intended (design) position may be specified as minimum angle made by the post and header, or as clearance between post and post or post and case expressed in terms of post diameter.	3
Getter-position irregularities	In crimp-type devices, deviations of the getter ring from its intended (design) position are stated relative to the crimp. In noncrimp-type devices, deviations of the getter ring from its intended (design) position are stated as the angle between the actual and intended positions.	4(a)
		4(b)
Mounting paste	Mounting-paste buildup or expulsion, or both, is an excessive amount of material used to mount the semiconductor element on the header. Allowable excess should be measured relative to the surfaces, clearances, and shape of the deposit.	5
Post-connection solder or gold paste	Post-connection solder or gold-paste buildup is an excessive amount of such material at the termination. Excess is measured relative to the diameter at the attachment point and by the deposit shape.	6
Diodes and low-power rectifiers (whisker-type)		
Extraneous matter	Any material contained in the cavity of the device that is not part of its design and not required for its manufacture or operation.	7(a)
		7(b)
		7(c)
Whisker irregularities	Any whisker malformation from its intended shape caused by compression. Allowable compression is stated as a percentage of design length. Whisker cross-sectional—area deviations are stated as a percentage of cross section. Misalignment irregularities are described by device design and type of construction. Whisker contact to the post or lead is expressed as a percentage of the design contact area.	8(a)
		8(b)
		8(c)
Crimped lead devices	Minimum crimp length can be stated.	9
Crystal and crystal-mounting irregularities	Tilt is the deviation of the mounted crystal from its intended (design) mounting plane. Allowable deviation is expressed in degrees from normal to the main axis of the device.	10(a)
	Clearance is the distance from the edge of the crystal to the inside wall of the device cavity. It is expressed in units of length (millimetres or inches); if contact is permissible, it should be stated whether or not fusion is allowable.	10(b)
	Crystal fusion to the mount is an area of contact between the crystal and the designed mounting surface where fusion occurs. Minimum allowable fusion is stated as a percentage of the design mounting surface.	10(d)
	Mounting-paste expulsion is excessive mounting paste. Allowable expulsion is stated as deposit shape.	10(e)
Diodes and low-power rectifiers (whiskerless-type)		
Misalignment	Crystal position relative to the posts or the posts to one another or both. Allowable crystal misalignment is stated as a percentage of the largest post. Allowable post misalignment is expressed as a percentage of the diameter of the smallest post.	11(a)
		11(b)
Voids	Air bubbles in the encapsulation material used for the semiconductor device. Allowable voids are stated as a percentage of wall thickness and as the distance from the encapsulation ends to the lead seal.	12
Integrated circuits		
Extraneous matter	Any material contained in the integrated circuit that is not part of its design and not necessary for its manufacture or operation.	none
Clearances	Minimum allowable clearances are expressed in units of length (millimetres or inches) or lead-wire diameters. Internal clearances can be stated between parts as: (1) lead to case; (2) lead wire to lead wire; (3) lead wire to bond; (4) lead wire to chip; (5) chip to chip; (6) bond to bond; (7) lead wire to external lead.	13
Chip mounting	The minimum area of mounting paste used to secure the chip to the header is stated as a percentage of the design contact (chip) area.	14(a)
	Unacceptable configuration of voids should be described.	14(b)
	A misaligned chip is one misoriented with respect to its intended position. Misalignment is expressed as an angle or a case-to-chip distance.	none
Mounting-paste buildup or expulsion (or both)	An excessive amount of the material used to mount the semiconductor element to the header. Allowable excess is measured relative to the top surface of the semiconductor element and by deposit shape.	5
Internal lead irregularities, bond-to-external lead, and bond-to-bond or bond-to-bond leads	Leads extending beyond the attachment points at either end. Allowable extension is stated in wire diameters.	none
	Slack leads deviate from a straight line between the attachment points. Allowable deviation is expressed in wire diameters.	none
Power devices (transistors, rectifiers, and silicon-controlled rectifiers)		
Construction methods and designs	Because of the large variety of construction methods and designs, it will generally be necessary to state criteria for each type of device. The usual criteria should include examinations for: (1) extraneous matter; (2) internal clearances; (3) mounting-paste buildup and expulsion; (4) crimp irregularities, where internal leads are crimped into tubular, external leads; (5) internal-connection irregularities.	none

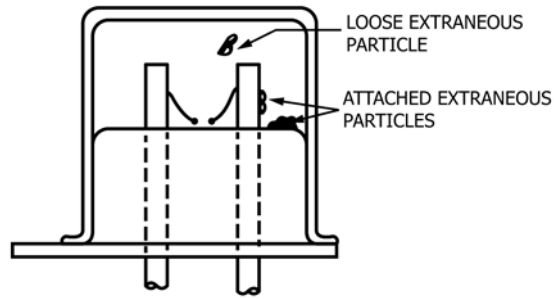


FIG. 1 Transistor—Extraneous Matter

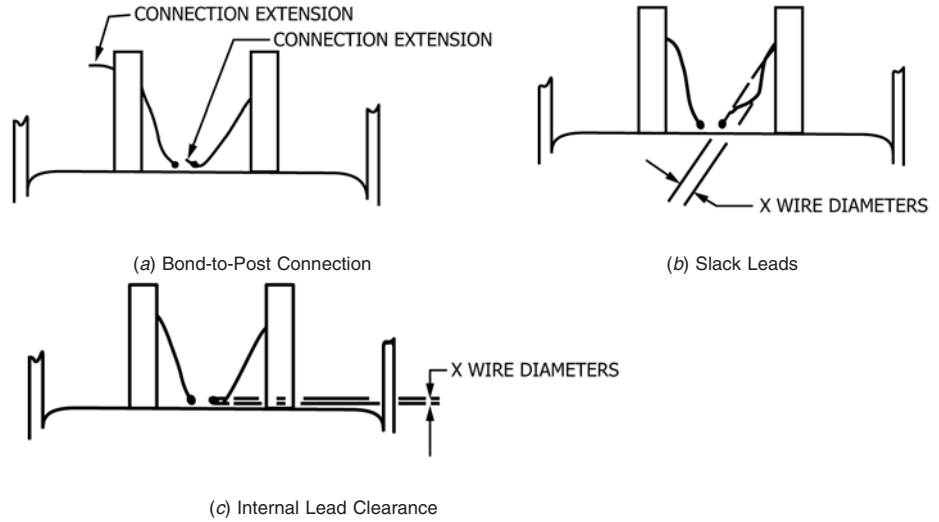


FIG. 2 Transistor—Internal Lead Irregularities

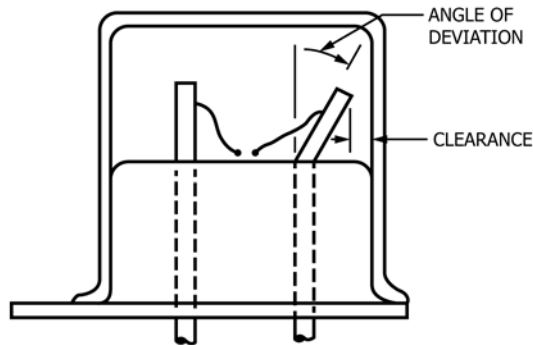


FIG. 3 Transistor—Post-Position Irregularities

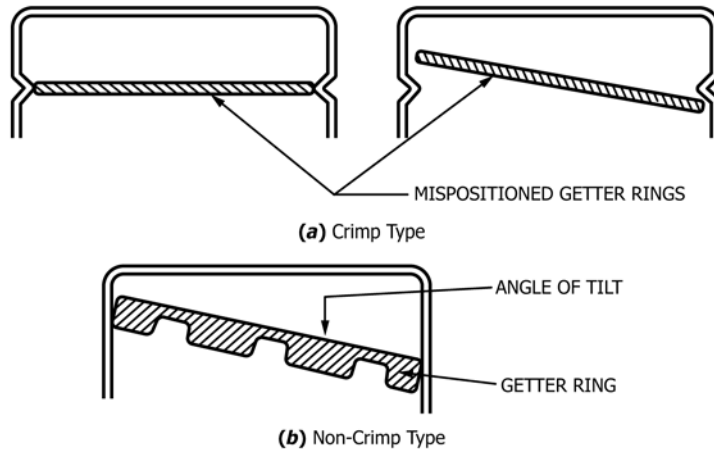


FIG. 4 Transistor—Getter Position Irregularities

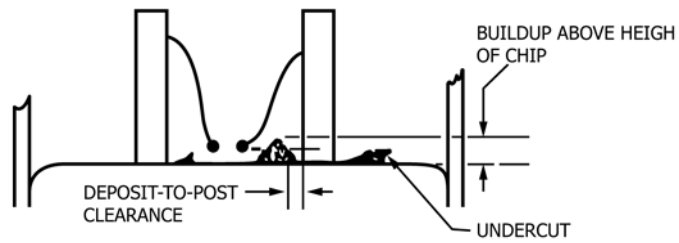


FIG. 5 Transistor—Mounting Paste Buildup or Expulsion or Both

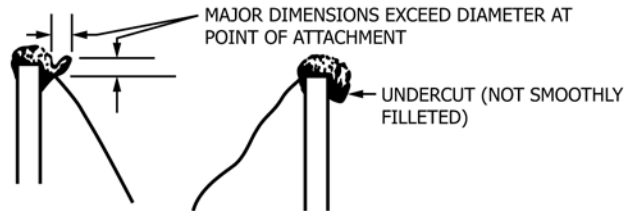
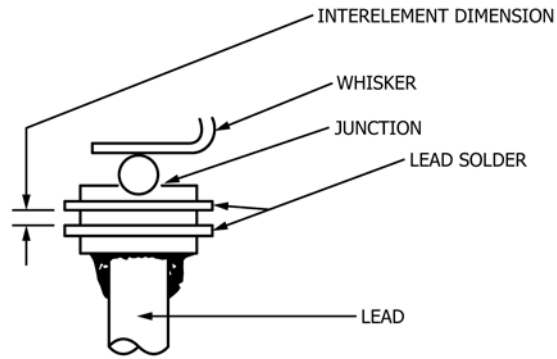
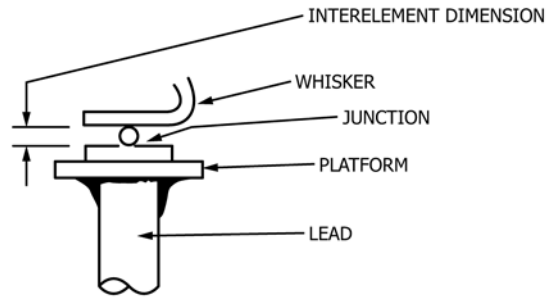


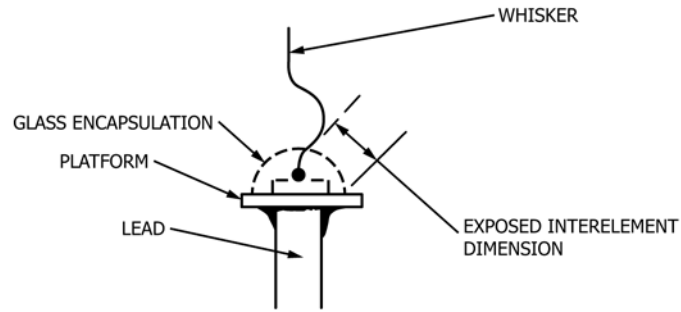
FIG. 6 Transistor—Post-Connection Solder or Paste Buildup



(a) Particle at Lead Solder Points



(b) Particle at Whisker-Junction



(c) Particle in Glass Encapsulated Assembly

FIG. 7 Diodes, Low-Power Rectifiers (Whisker-Type)—
Extraneous Matter

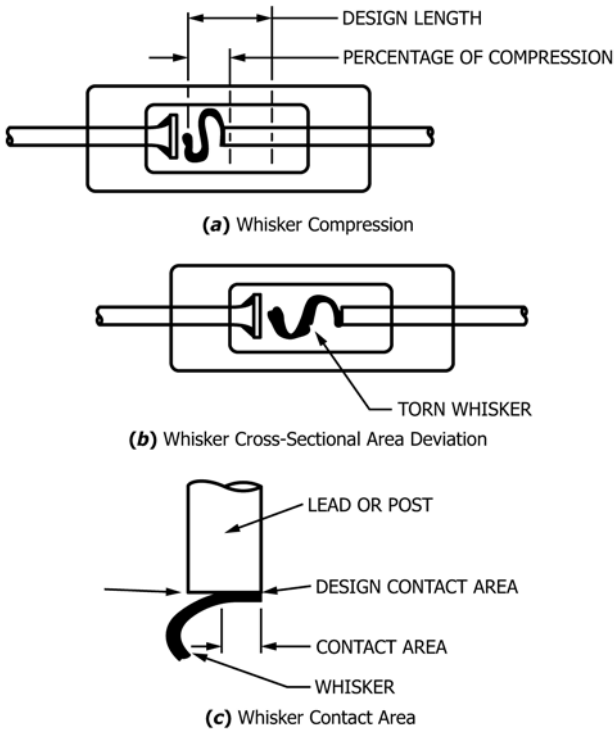


FIG. 8 Diodes, Low-Power Rectifiers (Whisker-Type)—Whisker Irregularities

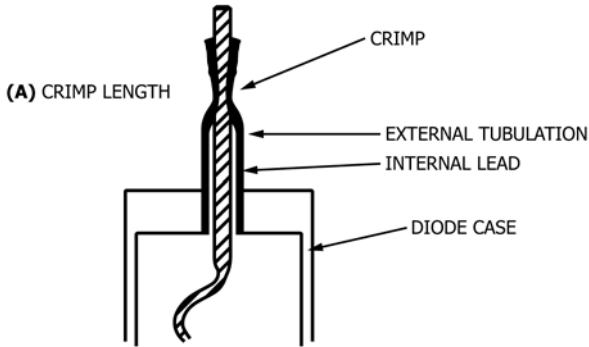


FIG. 9 Diodes, Low-Power Rectifiers (Crimped Lead Devices)

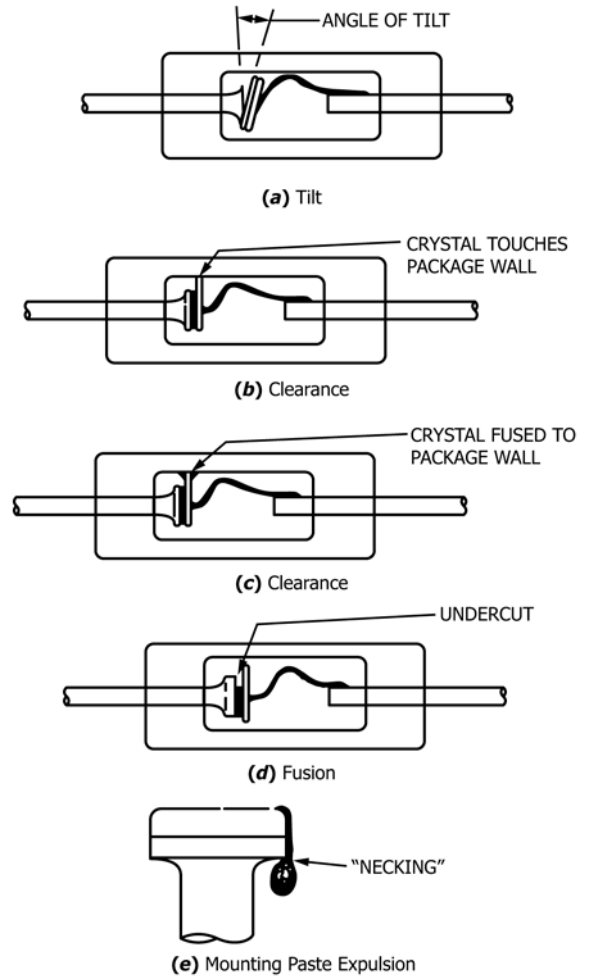


FIG. 10 Diodes, Low-Power Rectifiers (Whisker-Type)—Crystal and Crystal Mounting Irregularities

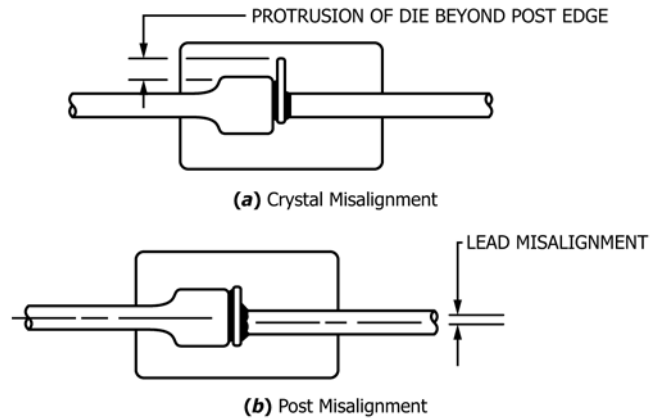


FIG. 11 Diodes and Low-Power Rectifiers (Whiskerless-Type)—Misalignment

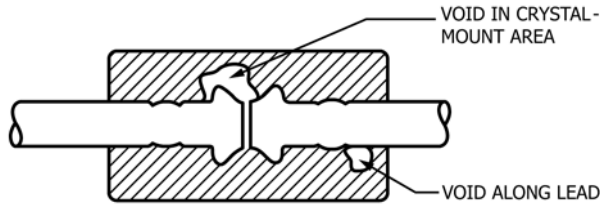


FIG. 12 Diodes and Low-Power Rectifiers (Whiskerless-Type)—Voids

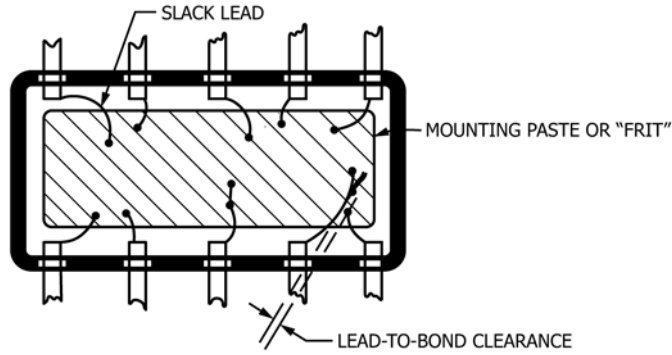


FIG. 13 Integrated Circuits—Internal Clearances

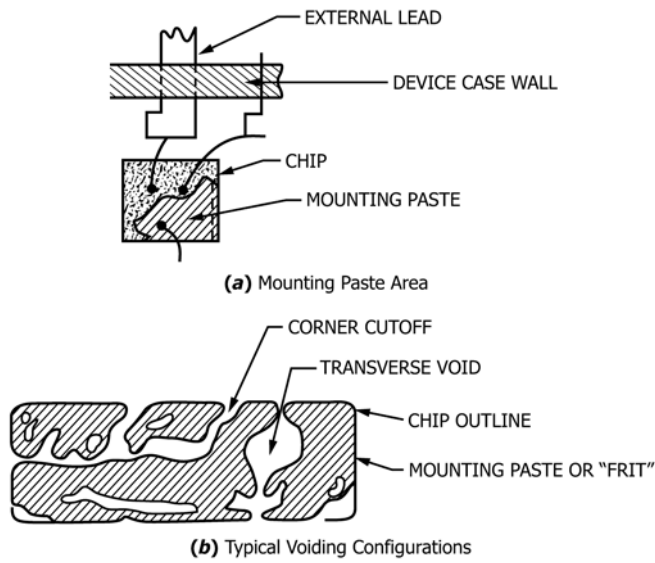


FIG. 14 Integrated Circuits—Chip Mounting

ASTM International takes no position respecting the validity of any patent rights asserted in connection with any item mentioned in this standard. Users of this standard are expressly advised that determination of the validity of any such patent rights, and the risk of infringement of such rights, are entirely their own responsibility.

This standard is subject to revision at any time by the responsible technical committee and must be reviewed every five years and if not revised, either reapproved or withdrawn. Your comments are invited either for revision of this standard or for additional standards and should be addressed to ASTM International Headquarters. Your comments will receive careful consideration at a meeting of the responsible technical committee, which you may attend. If you feel that your comments have not received a fair hearing you should make your views known to the ASTM Committee on Standards, at the address shown below.

This standard is copyrighted by ASTM International, 100 Barr Harbor Drive, PO Box C700, West Conshohocken, PA 19428-2959, United States. Individual reprints (single or multiple copies) of this standard may be obtained by contacting ASTM at the above address or at 610-832-9585 (phone), 610-832-9555 (fax), or service@astm.org (e-mail); or through the ASTM website (www.astm.org). Permission rights to photocopy the standard may also be secured from the Copyright Clearance Center, 222 Rosewood Drive, Danvers, MA 01923, Tel: (978) 646-2600; <http://www.copyright.com/>