



# Standard Practice for Radiographic Examination<sup>1</sup>

This standard is issued under the fixed designation E1742/E1742M; the number immediately following the designation indicates the year of original adoption or, in the case of revision, the year of last revision. A number in parentheses indicates the year of last reappraisal. A superscript epsilon ( $\epsilon$ ) indicates an editorial change since the last revision or reappraisal.

*This standard has been approved for use by agencies of the U.S. Department of Defense.*

## 1. Scope\*

1.1 This practice<sup>2</sup> establishes the minimum requirements for radiographic examination for metallic and nonmetallic materials.

1.2 *Applicability*—The criteria for the radiographic examination in this practice are applicable to all types of metallic and nonmetallic materials. The requirements expressed in this practice are intended to control the quality of the radiographic images and are not intended to establish acceptance criteria for parts and materials.

1.3 *Basis of Application*—There are areas in this practice that may require agreement between the cognizant engineering organization and the supplier, or specific direction from the cognizant engineering organization. These items should be addressed in the purchase order or the contract.

- 1.3.1 DoD contracts.
- 1.3.2 Personnel qualification, 5.1.1.
- 1.3.3 Agency qualification, 5.1.2.
- 1.3.4 Digitizing techniques, 5.4.5.
- 1.3.5 Alternate image quality indicator (IQI) types, 5.5.3.
- 1.3.6 Examination sequence, 6.6.
- 1.3.7 Non-film techniques, 6.7.
- 1.3.8 Radiographic quality levels, 6.9.
- 1.3.9 Film density, 6.10.
- 1.3.10 IQI qualification exposure, 6.13.3.
- 1.3.11 Non-requirement for IQI, 6.18.
- 1.3.12 Examination coverage for welds, A2.2.2.
- 1.3.13 Electron beam welds, A2.3.
- 1.3.14 Geometric unsharpness, 6.23.
- 1.3.15 Responsibility for examination, 6.27.1.
- 1.3.16 Examination report, 6.27.2.
- 1.3.17 Retention of radiographs, 6.27.8.
- 1.3.18 Storage of radiographs, 6.27.9.
- 1.3.19 Reproduction of radiographs, 6.27.10 and 6.27.10.1.

1.3.20 Acceptable parts, 6.28.1.

1.4 *Units*—The values stated in either SI units or inch-pound units are to be regarded separately as standard. The values stated in each system may not be exact equivalents; therefore, each system shall be used independently of the other. Combining values from the two systems may result in non-conformance with the standard.

1.5 *This standard does not purport to address all of the safety concerns, if any, associated with its use. It is the responsibility of the user of this standard to establish appropriate safety and health practices and determine the applicability of regulatory limitations prior to use.*

## 2. Referenced Documents

2.1 The following documents form a part of this practice to the extent specified herein:

- 2.2 *ASTM Standards*:<sup>3</sup>
  - E94 Guide for Radiographic Examination
  - E543 Specification for Agencies Performing Nondestructive Testing
  - E747 Practice for Design, Manufacture and Material Grouping Classification of Wire Image Quality Indicators (IQI) Used for Radiology
  - E801 Practice for Controlling Quality of Radiological Examination of Electronic Devices
  - E999 Guide for Controlling the Quality of Industrial Radiographic Film Processing
  - E1025 Practice for Design, Manufacture, and Material Grouping Classification of Hole-Type Image Quality Indicators (IQI) Used for Radiology
  - E1030 Test Method for Radiographic Examination of Metallic Castings
  - E1032 Test Method for Radiographic Examination of Weldments
  - E1079 Practice for Calibration of Transmission Densitometers

<sup>1</sup> This practice is under the jurisdiction of ASTM Committee E07 on Nondestructive Testing and is the direct responsibility of Subcommittee E07.01 on Radiology (X and Gamma) Method.

Current edition approved Nov. 1, 2012. Published November 2012. Originally approved in 1995. Last previous edition approved in 2011 as E1742 - 11. DOI: 10.1520/E1742\_E1742M-12.

<sup>2</sup> This practice replaced MIL-STD-453.

<sup>3</sup> For referenced ASTM standards, visit the ASTM website, www.astm.org, or contact ASTM Customer Service at service@astm.org. For *Annual Book of ASTM Standards* volume information, refer to the standard's Document Summary page on the ASTM website.

\*A Summary of Changes section appears at the end of this standard

**E1165** Test Method for Measurement of Focal Spots of Industrial X-Ray Tubes by Pinhole Imaging

**E1254** Guide for Storage of Radiographs and Unexposed Industrial Radiographic Films

**E1255** Practice for Radioscopy

**E1316** Terminology for Nondestructive Examinations

**E1390** Specification for Illuminators Used for Viewing Industrial Radiographs

**E1411** Practice for Qualification of Radioscopic Systems

**E1416** Test Method for Radioscopic Examination of Weldments

**E1815** Test Method for Classification of Film Systems for Industrial Radiography

**E2033** Practice for Computed Radiology (Photostimulable Luminescence Method)

**E2698** Practice for Radiological Examination Using Digital Detector Arrays

2.3 *AWS Document:*

**AWS A2.4** Standard Symbols for Welding, Brazing, and Nondestructive Examination<sup>4</sup>

2.4 *Aerospace Industries Association Document:*

**NAS 410** Certification & Qualification of Nondestructive Test Personnel<sup>5</sup>

2.5 *ASNT Documents:*<sup>6</sup>

**SNT-TC-1A** Recommended Practice for Personnel Qualification and Certification in Nondestructive Testing

**ANSI/ASNT-CP-189** ASNT Standard for Qualification and Certification of Nondestructive Testing Personnel

2.6 *NCRP Documents:*<sup>7</sup>

**NCRP 116** Limitation of Exposure to Ionizing Radiation

**NCRP 144** Radiation Protection for Particle Accelerator Facilities

**NCRP 147** Structural Shielding Design for Medical X-ray Imaging Facilities

2.7 *CEN Standards:*<sup>8</sup>

**EN 444** Non-Destructive Testing- General Principles for Radiographic Examination of Metallic Materials by X-and Gamma-Rays

2.8 *ANSI/ISO Standards:*<sup>9</sup>

**ANSI/NCSL Z540-3** Requirements for the Calibration of Measuring and Test Equipment

**ISO 10012** Measurement Management Systems—Requirements for Measurement Processes and Measuring Equipment

**ISO 5579** Non-Destructive Testing-Radiographic Examination of Metallic Materials by X-and Gamma-Rays-Basic Rules

2.9 *Military Standard:*

**MIL-STD-410** Nondestructive Testing Personnel Qualification and Certification (Eddy Current, Liquid Penetrant, Magnetic Particle, Radiographic and Ultrasonic)<sup>10</sup>

NOTE 1—*DoD Contracts:* Unless otherwise specified, the issues of the documents that are DoD adopted are those listed in the issue of the DoDISS (Department of Defense Index of Specifications and Standards) cited in the solicitation.

NOTE 2—*Order of Precedence:* In the event of conflict between the text of this practice and the references cited herein, the text of this practice takes precedence. Nothing in this practice, however, supersedes applicable laws and regulations unless a specific exemption has been obtained.

### 3. Terminology

3.1 *Definitions*—Definitions relating to radiographic examination, which appear in Terminology **E1316**, shall apply to the terms used in this practice.

3.2 *Definitions of Terms Specific to This Standard:*

3.2.1 *cognizant engineering organization*—the company, government agency, or other authority responsible for the design, or end use, of the system or component for which radiographic examination is required. This, in addition to design personnel, may include personnel from engineering, material and process engineering, stress analysis, NDT, or quality groups and others, as appropriate.

3.2.2 *component*—the part(s) or element of a system, assembled or processed to the extent specified by the drawing, purchase order, or contract.

3.2.3 *energy*—a property of radiation that determines its penetrating ability. In X-ray radiography, energy machine rating is determined by kilovolts (keV), million electronvolts (MeV). In gamma ray radiography, energy is a characteristic of the source used.

3.2.4 *like section*—a separate section of material that is similar in shape and cross section to the component or part being radiographed, and is made of the same or radiographically similar material.

3.2.5 *material group*—materials that have the same predominant alloying elements and which can be examined using the same IQI. A listing of common material groups is given in Practice **E1025**.

3.2.6 *NDT facility*—the NDT facility performing the radiographic examination.

3.2.7 *radiographic quality level*—The ability of a radiographic procedure to demonstrate a certain IQI sensitivity.

### 4. Significance and Use

4.1 This practice establishes the basic parameters for the application and control of the radiographic method. This practice is written so it can be specified on the engineering drawing, specification, or contract. It is not a detailed how-to procedure to be used by the NDT facility and, therefore, must be supplemented by a detailed procedure (see **6.1**). Test

<sup>4</sup> Available from American Welding Society (AWS), 550 NW LeJeune Rd., Miami, FL 33126, <http://www.aws.org>.

<sup>5</sup> Available from Aerospace Industries Association of America, Inc. (AIA), 1000 Wilson Blvd., Suite 1700, Arlington, VA 22209-3928, <http://www.aia-aerospace.org>.

<sup>6</sup> Available from American Society for Nondestructive Testing (ASNT), P.O. Box 28518, 1711 Arlington Ln., Columbus, OH 43228-0518, <http://www.asnt.org>.

<sup>7</sup> Available from National Council on Radiation Protection and Measurements, NCRP Publications, 7910 Woodmount Ave., Suite 800, Bethesda, MD 20814.

<sup>8</sup> Available from CEN-European Committee for Standardization, Rue De Stassart 36, Bruxelles, Belgium B-1050, <http://www.cen.eu>

<sup>9</sup> Available from American National Standards Institute (ANSI), 25 W. 43rd St., 4th Floor, New York, NY 10036, <http://www.ansi.org>.

<sup>10</sup> Available from Standardization Documents Order Desk, DODSSP, Bldg. 4, Section D, 700 Robbins Ave., Philadelphia, PA 19111-5098, <http://www.dodssp.daps.mil>.

Methods [E1030](#), [E1032](#), and [E1416](#) contain information to help develop detailed technique/procedure requirements.

## 5. General Practice

### 5.1 Qualification:

5.1.1 *Personnel Qualification*—Personnel performing examinations in accordance with this practice shall be qualified in accordance with MIL-STD-410, NAS 410, ANSI/ASNT-CP-189, or SNT-TC-1A and certified by the employer or certifying agency as applicable. Other equivalent qualification documents may be used when specified in the contract or purchase order.

5.1.2 *Agency Evaluation*—If specified in the contractual agreement, NDT agencies shall be qualified and evaluated in accordance with Practice [E543](#). The applicable revision of Practice [E543](#) shall be specified in the contractual agreement.

### 5.2 Laboratory Installations:

5.2.1 *Safety*—The premises and equipment shall present no hazards to the safety of personnel or property. NCRP 147, NCRP 116, and NCRP 144 may be used as guides to ensure that radiographic procedures are performed so that personnel shall not receive a radiation dosage exceeding the maximum permitted by city, state, or national codes.

5.2.2 *Radiographic Exposure Areas*—Radiographic exposure areas shall be clean and equipped so that acceptable radiographs may be produced in accordance with the requirements of this practice.

5.2.3 *Darkroom*—Darkroom facilities, including equipment and materials, shall be capable of producing uniform radiographs free of blemishes or artifacts, which might interfere with interpretation in the area of interest.

5.2.4 *Film Viewing Area*—The film viewing room or enclosure shall be an area with subdued lighting to preclude objectionable reflective glare from the surface of the film under examination, (see [6.27.6](#)).

### 5.3 Materials:

5.3.1 *Film*—Film selection for production radiographs should be based on radiation source energy level, part thickness/configuration, and image quality. Only film systems having cognizant engineering organization approval or meeting the class requirements of Test Method [E1815](#) shall be used.

5.3.1.1 *Non-film Recording Media*—Other recording media, such as paper and analog tape, may be used when approved by the cognizant engineering organization.

5.3.2 *Film Processing Solutions*—Production radiographs shall be processed in solutions capable of consistently producing radiographs that meet the requirements of this practice. Solution control shall be in accordance with [Annex A4](#). Guide [E999](#) should be consulted for guidance on film processing.

### 5.4 Equipment:

#### 5.4.1 Radiation Sources.

5.4.1.1 *X-Radiation Sources*—Selection of appropriate X-ray voltage and current levels is dependent upon variables regarding the specimen being examined (material type and thickness) and exposure time. The suitability of these exposure parameters shall be demonstrated by attainment of the required radiographic quality level and compliance with all other requirements stipulated herein.

5.4.1.2 *Gamma Radiation Sources*—Isotope sources that are used shall be capable of demonstrating the required radiographic quality level.

5.4.2 *Film Holders and Cassettes*—Film holders and cassettes shall be light tight, constructed of materials that do not interfere with the quality or sensitivity of radiographs, and shall be handled properly to reduce damage. In the event that light leaks into the film holder and produces images on the radiograph, the radiograph need not be rejected unless the images obscure, or interfere with, the area of interest. If the film holder exhibits light leaks it shall be further repaired before use, or discarded. Film holders and cassettes should be routinely examined for cracks or other defects to minimize the likelihood of light leaks.

#### 5.4.3 Intensifying Screens:

5.4.3.1 *Lead Foil Screens*—When using a source greater than 150 keV, intensifying screens of the lead foil type are recommended. Screens shall have the same area dimensions as the film being used and shall be in intimate contact with the film during exposure. Recommended screen thicknesses are listed in [Table 1](#) for the applicable voltage range being used. Screens shall be free from any cracks, creases, scratches, or foreign material that could render undesirable nonrelevant images on the film.

5.4.3.2 *Fluorescent, Fluorometallic, or Other Metallic Screens*—Fluorescent, fluorometallic, or other metallic screens may be used. However, they must be capable of demonstrating the required penetrameter (IQI) sensitivity. Fluorescent or fluorometallic screens may cause limitations in image quality (see Guide [E94](#), Appendix X1).

5.4.4 *Film Viewers*—Viewers used for final interpretation shall meet the following requirements:

**TABLE 1 Lead Screen Thickness<sup>A</sup>**

Energy Range/ Isotopes	Front Screen	Back Screen Minimum	Front and Back Screens <sup>B</sup>
	in.	in.	mm
0 – 150 keV <sup>C</sup>	0.000 to 0.001	0.005 <sup>D</sup>	0-0.15
151 – 200 keV	0.000 to 0.005	0.005 <sup>D</sup>	0.02-0.15
201 – 320 keV	0.001 to 0.010	0.005	0.02-0.2
Se-75	0.001 to 0.010	0.005	0.1-0.2
321 – 450 keV	0.005 to 0.015	0.01	0.1-0.2
Ir-192	0.005 to 0.015	0.01	0.02-0.2
451 keV – 2 MeV	0.005 to 0.020	0.01	0.1-0.5
Co-60	0.005 to 0.020	0.01	0.1-0.5
2 – 4 MeV	0.010 to 0.020	0.01	0.1-0.5
4 – 10 MeV	0.010 to 0.030	0.01	0.5-1.0
10 – 25 MeV	0.010 to 0.050	0.01	1.0-2.0

<sup>A</sup> The lead screen thickness listed for the various energy ranges are recommended thicknesses and not required thicknesses. Other thicknesses and materials may be used provided the required radiographic quality level, contrast, and density are achieved.

<sup>B</sup> Lead screen thicknesses in accordance with EN 444 and ISO 5579 in SI units. For energy ranges of Co-60 and 451 keV to 4 MeV, steel or copper screens of 0.1 to 0.5 mm may be used. For energy ranges above 4 MeV to 10 MeV, 0.5-1.0 mm steel or copper or up to 0.5 mm tantalum screens are recommended. Additional back scatter shielding may be achieved by additional lead screens behind the cassettes.

<sup>C</sup> Prepackaged film with lead screens may be used from 80 to 150 keV. No lead screens are recommended below 80 keV. Prepackaged film may be used at higher energy levels provided the contrast, density, radiographic quality level, and backscatter requirements are achieved. Additional intermediate lead screens may be used for reduction of scattered radiation at higher energies.

<sup>D</sup> No back screen is required provided the backscatter requirements of [6.22](#) are met.

5.4.4.1 The viewer shall contain a variable control to allow the selection of optimum intensities for film with varying densities.

5.4.4.2 The light source shall have sufficient intensity to enable viewing of film densities in the area of interest (see 6.27.4).

5.4.4.3 The light enclosure shall be designed to provide a uniform brightness level over the entire viewing screen.

5.4.4.4 The viewer shall be equipped with a suitable fan, blower, or other means to provide stable temperature at the viewing port to avoid damaging the radiographic film while viewing.

5.4.4.5 The viewer shall be equipped with a translucent material front in each viewing port, except for localized high-intensity viewing of high-density film areas through separate viewing ports, apertures, or other suitable openings.

5.4.4.6 A set of opaque masks, an iris-type aperture, or any other method to reduce the viewing area to suit the size of the area of interest shall be provided.

5.4.4.7 Illuminators procured to, or meeting the requirements of, Guide E1390 are acceptable for use.

5.4.5 *Digitizing Techniques*—The use of film digitizing techniques is acceptable when approved by the cognizant engineering organization.

5.4.6 *Densitometers*—The densitometer shall be capable of measuring the light transmitted through a radiograph with a film density up to 4.0 with a density unit resolution of 0.02. When film densities greater than 4.0 are permitted, a densitometer capable of measuring densities up to the maximum density permitted is required.

5.4.7 *Film Viewing Aids*—Magnifiers shall be available to provide magnification between 3× and 10× to aid in interpretation and determine indication size, as applicable. The specific magnifier used should be determined by the interpretation requirements. Devices used for determining defect size shall be calibrated as scheduled in Table 2.

5.4.8 Luminance/illuminance light meters are procured and calibrated in accordance with Table 2.

### 5.5 Image Quality Indicators (IQI's):

5.5.1 *Image Quality Indicators (IQI's)*—The IQI's shall be in accordance with contract requirements. Hole-type IQI's in accordance with this practice, Practice E1025, or the alternate design of Annex A1, or wire-type IQI's in accordance with Practice E747, shall be used when IQI's are required. If wire IQI's are used, they shall be correlated to hole-type radiographic quality levels in accordance with Practice E747. For the radiography of electronic devices, Practice E801 shall be used.

5.5.2 *Radiographically Similar IQI Material*—Materials shall be considered radiographically similar if the following requirements are satisfied. Two blocks of equal thickness, one of the material to be radiographed and one of the material of which the IQI's are made, shall be exposed together on the same film at the lowest energy level to be used for production radiographs. If the film density of the IQI material to be radiographed is within the range from 0 to +15 % of the material to be radiographed, it shall be considered radiographically similar. The film density readings shall be between 2.0

**TABLE 2 Process Control Checks**

Check	Frequency	Paragraph
Discontinuity Image Measuring Device	<sup>A,B</sup>	5.4.7
Image Quality Indicators:		
Certified	When procured	5.5.4
Check (Condition)	prior to use <sup>C</sup>	5.5.4
Automatic Processing:		
Processor Performance	Daily <sup>D</sup>	A4.2.1
Base Fog	Daily <sup>D</sup>	A4.2.5
Developer Temperature	Prior to use <sup>C</sup>	A4.2.3
Replenishment Rate	<sup>E</sup>	A4.2.2
Transport Speed	<sup>F</sup>	A4.2.4
Manual Processing:		
Processing Performance	Daily	A4.3.1
Base plus Fog	Monthly	A4.2.5
Developer Temperature	Prior to use <sup>G</sup>	A4.3.2
Densitometer:		
Verification Check	Each shift <sup>H</sup>	6.27.5
Calibration Check	90 days <sup>I</sup>	6.27.5
Light Meters	Annual	6.27.4/6.27.6
Viewer Light Intensity		6.27.4
Thermometer Calibration	6 months <sup>B</sup>	A4.2.3
Ambient Visible Light	6 months <sup>J</sup>	6.27.6
Stepwedge Calibration	Annual	6.27.5

<sup>A</sup> *Optical Devices*— When procured; mechanical devices (see Footnote B).

<sup>B</sup> Calibrated and recorded in accordance with ANSI Z540-3, or ISO 10012, as applicable.

<sup>C</sup> Documentation of this check not required.

<sup>D</sup> May be extended to weekly when substantiated by actual technical/reliability data and approved by the cognizant engineering organization.

<sup>E</sup> Measured and recorded when solutions are changed during preventative maintenance or repair.

<sup>F</sup> Measured and recorded during preventative maintenance or repair.

<sup>G</sup> Temperatures shall be checked prior to each use. Daily documentation of this check is required.

<sup>H</sup> Each shift or when maintenance is performed (bulb or aperture changed).

<sup>I</sup> Every 90 days or whenever the densitometer verification check is not within tolerance.

<sup>J</sup> Fixed viewing locations with acceptable and controlled ambient lighting conditions need not be re-verified as long as those conditions are maintained.

and 4.0 for both materials. An IQI with a lower radiation attenuation may be used.

5.5.3 *Alternate IQI Types*—The use of other types of IQI's, or modifications to types specified in 5.5.1, is permitted upon approval of the cognizant engineering organization. Details of the design, materials designation, and thickness identification of the IQI's shall be in the written procedure, or documented on a drawing that shall be referenced in the written procedure (see 6.1).

5.5.4 *IQI Control*—The IQI's shall be procured or fabricated to the requirements of Practice of E1025, or the alternate design of Annex A1, as applicable, with a manufacturer's certification of compliance with respect to alloy and dimensions. Users shall visually inspect IQI's for damage and cleanliness in accordance with Table 2.

## 6. Detail Requirements

6.1 *Written Procedure*—It shall be the responsibility of the NDT facility to develop a workable examination technique recorded as a written procedure that is capable of consistently producing the desired results and radiographic quality level. When required by contract or purchase order, the procedure shall be submitted to the cognizant engineering organization



for approval. The written procedure shall contain, as a minimum, the following information:

6.1.1 A drawing, sketch, or photograph of the component showing the location of the film and IQI with respect to the radiation source for each exposure.

6.1.2 The angle of the radiation beam in relation to the component, the source-to-film distance, and any blocking or masking, if used.

6.1.3 Part zones, if applicable, should be included (see 6.2). This may be accomplished through drawings and tables or by reference to documents where such information is found.

6.1.4 The nominal exposure for X-ray machines, the voltage, milliamperes, time (or rads as applicable), and effective focal spot size. For radioisotope sources, the isotope type, source strength (curies), exposure time, and source size.

6.1.5 Film designation (for example, brand, type, and processing parameters), intensifying screens (for example, type and thickness of screens), or filters (for example, filter material, thickness, and location) if used, film loading instructions (for example, when using multiple film exposure techniques), and the desired film density range.

6.1.6 Thickness and type of material.

6.1.7 The IQI size and type, and the required radiographic quality level. If alternate IQI's are used (see 5.5.3), include details of the design or reference to documents where such information is found.

6.1.8 Thickness and type of material for shims or blocks, or both, if used.

6.1.9 Name and address of the NDT facility and the date, or revision, of the procedure.

6.1.10 Radiographic identification scheme used to correlate part-to-film. If the examination procedures are similar for many components, a master written procedure may be used that covers the details common to a variety of components. All written procedures shall be approved by an individual qualified and certified as a Level III for radiography in accordance with 5.1.1.

6.2 *Acceptance Requirements*—When examination is performed in accordance with this practice, engineering drawings, specifications, or other applicable documents shall indicate the criteria by which the components are judged acceptable. Complex components may be divided into zones and separate criteria assigned to each zone in accordance with its design requirements. When used, direct references to ASTM reference radiographic standards shall include the grade level for each type of discontinuity permitted for each part or zone.

NOTE 3—Information on reference radiographs can be obtained from the *Annual Book of ASTM Standards*, Vol 03.03 or from ASTM Headquarters.

6.3 *Surface Preparation*—Components may be examined without surface preparation or conditioning except as required to remove surface conditions that may interfere with proper interpretation of radiographs.

6.3.1 Castings, forgings, and weldments may be radiographed in the as-cast, as-forged, or as-welded conditions provided the following requirements are met.

6.3.1.1 For castings and forgings, the surface condition shall not interfere with evaluation.

6.3.1.2 Accessible surfaces of welds shall be prepared in accordance with A2.1.

6.4 *Radiographic Identification*—Each radiograph shall carry the identification or serial number of the component and view number, when multiple views are taken. Each radiograph shall also carry the identification of the NDT facility examining the component and the date of the examination. Radiographs of a repair area shall be identified with *R1*, *R2*, *R3*, and so forth, indicating the number of times that repairs were attempted. Alternative schemes may be used for identification of repair radiographs so long as each film is clearly identified to relate to a particular repair area. For explosives and propellants, the conditioning temperature shall be identified on each X-ray film if the ordnance has been conditioned to a temperature other than facility ambient for purposes of examination.

6.5 *Examination and Coverage*—The number of parts examined, and the radiographic coverage of each part shall be as specified by drawings, radiographic techniques, radiographic manuals, handbooks for aircraft technical orders, or other specifications, as applicable. Areas to be examined shall be identified on the drawing by using the symbols in accordance with AWS A2.4 or other systems of designations that are easily identified on the drawing. If the number of parts to be examined and the amount of coverage of each part is not specified, all parts shall be examined and shall receive 100 % radiographic coverage.

6.6 *Examination Sequence*—The sequence for radiographic examination in the production operation should be specified in the manufacturing or assembly process specification, contract, or purchase order. If not specified, radiographic examination shall be performed at a stage in the process of manufacturing or assembly at which discontinuities can be detected. Radiographic examination may be performed before heat treatment, provided liquid penetrant or magnetic particle examinations are performed after heat treatment.

6.7 *Nonfilm Techniques*—When permitted by purchase order, contract, or specification, radioscopic/radiological examinations using nonfilm techniques shall be in accordance with Practices E1255, E2033 or E2698 or a nonfilm specification approved by the CEO as required. Prior approval shall be obtained from the Level III radiographer of the cognizant engineering organization (see 5.1.1).

6.8 *Multi-Film Techniques*—Film techniques with two or more films of the same or different speeds in the same film holder, to be used in either single or superimposed film viewing, shall be permitted provided that the applicable radiographic quality level, and film density requirements (see 6.9 and 6.10), are achieved for the area of interest.

6.9 *Radiographic Quality Levels*—The five quality levels listed in Table 3 may be assigned on the basis of IQI thickness and the perceptibility of one, two, or three holes in the hole-type IQI image on the radiograph. If the quality level is not specified on the drawing or other applicable documents, it shall be Level 2-2T. Unless otherwise specified by the cognizant engineering organization, hole-type IQIs used for examination of material 0.25 in. (6.35 mm) or less in thickness shall be 0.005-in. (0.127-mm) minimum thickness.

**TABLE 3 Quality Levels of Examination**

IQI Designation	Radiographic Quality Level	Maximum IQI Thickness, % <sup>A</sup>	Minimum Hole Diameter <sup>B</sup>	Equivalent IQI Sensitivity, % <sup>C</sup>
00	1-1T	1	1T	0.7
0	1-2T	1	2T	1.0
1	2-1T	2	1T	1.4
2	2-2T	2	2T	2.0
3	2-4T	2	4T	2.8

<sup>A</sup> Expressed as a percentage of material thickness.

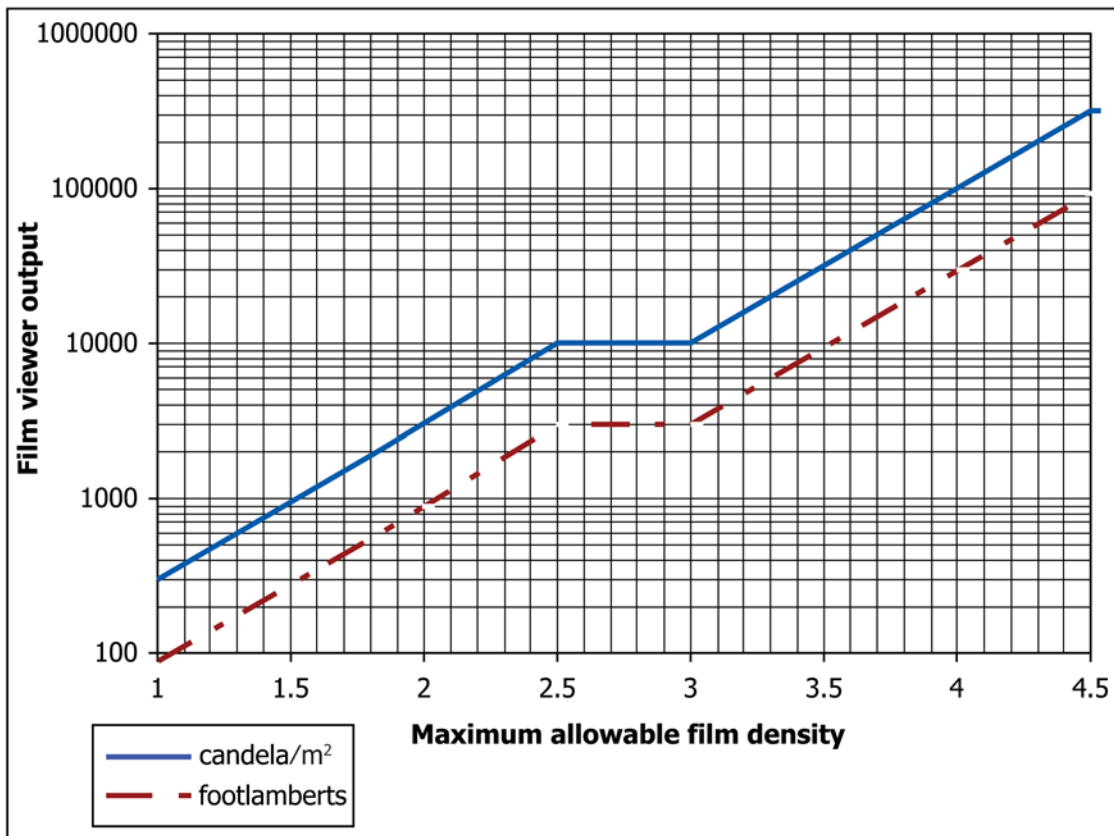
<sup>B</sup> Expressed as multiple thickness of IQI.

<sup>C</sup> Equivalent IQI sensitivity is that thickness of the IQI expressed as a percentage of the specimen thickness in which a 2T hole would be clearly visible under the same radiographic conditions.

6.10 *Film Density*—For single-film viewing, the film density shall be  $\geq 1.5$  in the area of interest. Where superimposed

film viewing is used, the film density of the superimposed films shall be from 2.0 in the area of interest, and each individual film shall not have a film density below 1.0 in the area of interest. Film densities above 4.0 are permitted when agreed upon between the cognizant engineering organization and the NDT facility (see **Note 1** of **Fig. 1**). In no case shall the maximum film density exceed 4.5. For single-film viewing, film densities less than 1.5 are permitted only when items not requiring an IQI (see 6.18) are examined. The maximum readable film density depends on the film viewer used and its maximum luminance (see 6.27.4). The maximum readable film density shall always be posted on the viewer.

6.11 *Processing Radiographs*—Radiographs shall be free from blemishes which may interfere with film interpretation.



NOTE 1—This figure is a depiction of the abscissa axis: Maximum Allowable Film Density versus ordinate axis: Candela/m<sup>2</sup> and footlamberts in graphical format from tabular data derived from Guide E1390 and ISO 5580 (also known as EN 25580). Conversion from tabular data to a graph accounts for the step in the line. For Film Viewer Output of 10 000 Candela/m<sup>2</sup> (2919 Footlamberts), the Maximum Allowable Film Density shall be 3.0. Regarding the ordinate axis: Candela/m<sup>2</sup>, the minimum luminance level required for the average human eye to achieve photopic eye response (that is where maximum resolution and contrast discrimination occurs) is at 10 candela/m<sup>2</sup>. At levels below this value the eye responds scotopically which means lower contrast discrimination and resolution. While photopic vision typically occurs at a threshold of 10 candela/m<sup>2</sup> for the average human eye, this curve takes advantage of the fact that at lower film densities most viewers can achieve an amount of light that guarantees that virtually all operators will be viewing film in the photopic vision mode, that is 30 candela/m<sup>2</sup> for densities <2.5. A theoretical advantage of this curve is that it compensates for the reduced contrast sensitivity of radiographic film at lower densities.

NOTE 2—NDT film systems, classified corresponding to E1815 system classes “Special, I and II”, with or without lead screens, are suitable for the extended viewing range above a density of 4, due to their high gradient ( $G_{D-D0=4} > 6$ ) at  $D = 4$  above fog and base. These double sided NDT film systems have a high silver content and do not saturate as early as medical and classes III, W-A, W-B and W-C film systems. The basic advantage of increasing the density is the increase of contrast with density. Since the contrast/noise ratio also increases (with the square root of density), the perception of indications of small flaws improves with higher density significantly. The operator should mask all film areas of lower density to avoid blinding (dazzling). Blinding reduces the eye perception and requires longer eye adaptation time. High brightness viewing stations also heat up films depending on the density and viewing time. The operator shall prevent overheating to protect the film integrity.

**FIG. 1 Maximum Allowable Film Density with Film Viewer Output**

6.12 *IQI Selection*—The IQI thickness shall be based on a thickness not greater than the nominal thickness to be radiographed. For double-wall exposures and double-wall viewing techniques, the IQI shall be based on the double-wall thickness of the component. The IQI thicknesses that are in between, or smaller than, the thickness increments in Fig. A1.1 (for example, a hole-type IQI that is 0.0025 or 0.006 in. thick) may be used but are not mandatory. For double-wall exposures and single-wall viewing techniques, the IQI shall be based on the single-wall thickness of the component. In no case shall the IQI thickness be based on a thickness greater than the thickness to be radiographed. For fabrication welds the IQI shall be selected in accordance with Annex A2. For explosive/propellants, rocket motors, and their components, IQI selection shall be as specified in accordance with Annex A3.

6.13 *Placement of IQI's*—An IQI shall be placed on each part radiographed for the duration of exposure, unless a number of identical parts are simultaneously exposed on a single film. In such a case, a single IQI shall be placed upon the source side of a part at the outer edge of the cone of radiation or farthest extremity of the exposure setup (that is, farthest from the radiation beam centerline). For examination of irregular objects, the IQI shall be placed on the area of the part farthest from the film. The IQI's shall be placed adjacent to the area of interest, since accept/reject decisions cannot be made in the area directly beneath the IQI. Where it is not practicable to place the IQI on the part, the separate block technique in 6.13.1, or the film-side technique in 6.13.2, may be used as applicable.

6.13.1 *Shim, Separate Block, or Like-Section IQI Technique*—Where it is impractical to place the IQI upon the part radiographed, the IQI may be placed on the source side of a separate shim, block, or like section, from the same material group (or material that is radiographically similar, see 5.5.2) as either the IQI or the part. The shim, block, or like section and IQI shall be placed on the outer edge of the cone of radiation. The shim, block, or like section shall exceed the IQI dimensions so that at least three sides of the IQI shall be visible on the radiograph. If required by the Cognizant Engineering Organization (CEO), the shim shall be placed on a low absorptive material (such as polystyrene plastic or its equivalent) to ensure that the IQI shall not be any closer to the film than the source side of the part, or area of interest being evaluated.

6.13.2 *Film-Side IQI Placement*—When examining double-walled parts such as tubing or hollow castings, and it is not practical to place an IQI on the source side of the part, IQI's may be placed on the film side of the part as specified in 6.13.2.1 and 6.13.2.2. A letter “F” shall be placed adjacent to the IQI.

6.13.2.1 *Film-Side IQI's (Double Wall-Double Image)*—When performing double-wall radiography in which both walls are viewed for acceptance, the film-side radiographic technique shall be demonstrated on an exposure of a like section in which the required IQI shall be placed on the source side, and sets of wire IQI's, (or a series of hole-type IQI's) ranging in thickness from that of the required IQI to one fourth that thickness shall be placed on the film side. If the required IQI on the source side

indicates the specified radiographic quality level, then the image of either the smallest IQI hole in the thinnest IQI, or the image of the smallest wire, visible on the film side, shall be used to determine the proper film-side IQI to be used for production radiographs.

6.13.2.2 *Film-Side IQI's (Double Wall-Single Image)*—When performing double-wall radiography in which only the wall portion next to the film is viewed for acceptance, the film-side radiographic technique shall be demonstrated on an exposure of a like section in which the required IQI is placed on the inside of the part and a set of IQI's, as specified in 6.13.2.1, are placed on the film side. If the IQI on the inside indicates the required radiographic quality level, then the image of either the smallest IQI hole in the thinnest IQI, or the image of the smallest wire, visible on the film side, shall be used to determine the proper film-side IQI to be used for production radiographs.

6.13.3 *IQI Qualification Exposure*—When included in the written procedure and approved by the Level III radiographer of the cognizant engineering organization, a single exposure with the applicable IQI may be made to qualify the examination process.

6.13.3.1 *Qualification Exposure*—When it is impractical to continually place IQIs on a part requiring more than one exposure, a single exposure of the IQI may be made to qualify the examination process. As long as the radiographic technique is not changed, subsequent exposures may be performed without an IQI. A new qualification exposure with an IQI shall be made daily, or whenever any of the following parameters are changed:

- (1) Energy level (kilovolts or Megavolts),
- (2) Exposure (milliamperere × time),
- (3) Source to film distance,
- (4) Screens, collimation, masking, or filters,
- (5) Film type, or
- (6) Film processing parameters.

6.13.3.2 *Subsequent Exposures*—Subsequent exposures shall be positively tied to the qualification exposure by serialization or other methods. A copy of the qualification shall be provided to all parties with review authority.

6.13.4 *Re-radiography*—Whenever there is a reasonable doubt as to the interpretation or clarity of the radiograph because of film artifacts or improper technique, re-radiography is required.

6.14 *Masking*—Shot, masking solutions, sheet lead and foils, polytetrafluoroethylene (PTFE), plastic, or other low-density, nonmetallic absorbers may be used as masking to minimize the effects of scattered radiation or undercutting. The shot may be a mixture of many diameters to provide a uniform density. Heavy chemical solutions used for masking may be toxic; the proper health and safety precautions and markings shall be used.

6.15 *Filters*—Filters may be used whenever the contrast reductions caused by low-energy scattered radiation occurring on production radiographs are of significant magnitude to cause difficulty in meeting the radiographic quality level or radiographic coverage requirements as specified in the contract, purchase order, or drawing.

6.16 *Multiple-Film-Cassette Exposure*— Where more than one film cassette is used to cover the area of interest in a single exposure, an IQI image shall appear on at least one radiograph at the edge of the film most distant from the center of the radiation beam. When the source is placed on the axis of the object, and the complete circumference is radiographed with a single exposure, at least three equally spaced IQI's are to be used if possible.

6.17 *Applicable IQI Area of Interest*—One IQI shall represent an area within which radiographic densities do not vary more than +30 to -15 % from the density measured through the body of the IQI. At least one IQI per radiograph shall be used, except as specified in 6.16, 6.17.1, and 6.18. Accept/reject decisions shall not be made directly beneath the IQI shim combination.

6.17.1 *Radiograph Qualification Using Two IQI's*—When the film density varies by more than is specified in 6.17, two IQI's used in the following manner are acceptable. If one IQI shows an acceptable sensitivity in the most dense portion of the radiograph, and the second IQI shows an acceptable sensitivity in the least dense portion of the radiograph, the two IQI's shall serve to qualify the radiograph within these density limits. Additional IQI's may be used, as necessary in subsequent exposures, to cover the entire thickness range of the object. For components such as castings and forgings, where there are changes in wall thickness and wall alignment and the use of two IQI's is not possible, the use of one IQI is acceptable. The IQI thickness shall be based on the thinnest wall being radiographed and shall be placed on the thickest wall section. The required +30 to -15 % density tolerance (see 6.17), need not be met; however, the density in the areas of interest shall be between 1.5 and 4.0 and the required radiographic quality level shall be obtained.

6.18 *Non-Requirement of IQI's*—The IQIs are not required when:

- 6.18.1 Examining assemblies for debris,
- 6.18.2 Conducting radiography for defect removal provided final examination of the area includes an IQI,

6.18.3 Examining to show material details or contrast between two or more dissimilar materials in component parts or assemblies including honeycomb areas for the detection of fabrication irregularities or the presence or absence of material, or

6.18.4 When surfaces are inaccessible an alternate method of qualification shall be used subject to the approval of the cognizant engineering organization.

6.19 *Fabrication Welds*—Fabrication welds shall be processed in accordance with Annex A2.

6.20 *IQI Selection for Explosives/Propellants, Rocket Motors, and Their Components*—These devices shall be radiographed in accordance with Annex A3.

6.20.1 *Single-Wire IQI's*—Single-wire IQI's of a denser (metallic) material may be used provided the thickness of metal upon which the IQI is based has been equated to the equivalent explosive/propellant thickness. Wire thickness shall be equated to hole-type radiographic quality levels (as specified in Table 3) by the following method:

$$\text{Wire IQI diameter} = TPY/XF \tag{1}$$

where:

- T = total equivalent thickness, or thickness of explosive/propellant material,
- P = required sensitivity as a percentage of material thickness (that is, equivalent IQI sensitivity),
- Y = density of explosive/propellant,
- X = density of IQI material, and
- F = form factor for round wire (0.7854).

6.21 *Contrast*—The contrast of the radiograph shall be determined by measuring the difference in density of the film through the IQI and the adjacent material. The minimum density difference shown in Fig. 2 shall be achieved between the IQI and the base metals for Radiographic Quality Levels 1 and 2.

6.22 *Back Scatter Radiation*—During each exposure the film shall be monitored for back scatter. Each film holder shall

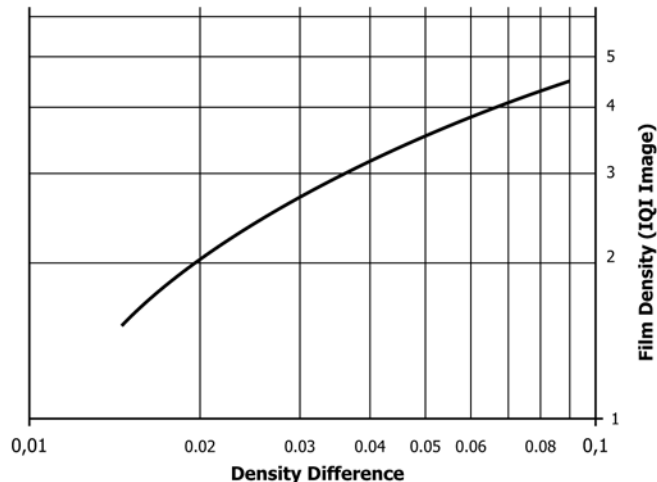


FIG. 2 Minimum Film Density Difference Between IQI and Adjacent Base Metal Material Images



have a lead letter “B” a minimum of ½ in. (12.7 mm) high and a minimum of ¼ in. (1.6 mm) thick positioned behind the film and within the general area of the film to be viewed. Should the image of the lead letter “B” appear on the film as a light image, the film should be considered unacceptable and screens, lead backing, or other appropriate measures shall be implemented on subsequent exposures to reduce back scatter. The appearance of a dark image (higher density “B” image) should be disregarded unless the dark image could be confused with, or interfere with, interpretation in the area of interest. When identical parts, or segments of parts, are to be examined by the same technique, the letter “B” may be used to qualify the initial exposure only and may be omitted for subsequent exposures as long as the proximity and nature of backscattering objects and similar conditions are maintained constant. A new qualification exposure shall be made whenever any of the following parameters are changed:

- 6.22.1 X-ray machine energy (kilovolts, Megavolts, or gamma source type),
- 6.22.2 Exposure time (milliampere-time),
- 6.22.3 Source-to-film distance,
- 6.22.4 Screens, collimation, masking, or filters,
- 6.22.5 Film type,
- 6.22.6 Film processing parameters,
- 6.22.7 Type or amount of backing material, or
- 6.22.8 Radiation source change or relocation.

6.23 *Source-to-Film Distance*—The minimum allowable source-to-film distance shall be calculated by the following equation, using the material thicknesses and geometric unsharpness values in [Table 4](#), unless otherwise specified by the cognizant engineering organization.

$$SFD = (F/Ug) + t \quad (2)$$

where:

- SFD* = source-to-film distance,
- Ug* = geometric unsharpness,
- F* = size of radiation source, using the manufacturer’s nominal size or the effective focal spot size in accordance with Test Method [E1165](#), and
- t* = distance from the source side of the object to the film (regardless of whether or not the object is in contact with the film).

NOTE 4—Unit of measurement for *SFD*, *Ug*, *F*, and *t* may be in either English or SI units as long as they are consistent (not mixed).

6.24 *Identification*—Marking of the radiographic film and component shall be provided so that the radiograph may be traced to the component being examined (see [6.28.6](#)).

6.25 *Location Markers*—The images of location markers for coordination of the part with the film(s) shall appear on the film without interfering with interpretation and with such an ar-

angement that it is evident that complete coverage was obtained. The location marker positions shall be established on the part, and the position of the markers shall be maintained on the part during radiography. If the entire part can be radiographed with one film for each view, and the orientation of the part with respect to the film is obvious, then location markers are not required.

6.25.1 As an alternative to markers, view numbers (see [6.4](#)), may be used provided orientation of the radiographs to the part can demonstrate the required radiographic coverage and the location of defects can be accomplished.

6.26 *Crack Detection*—When parts are radiographed to detect in-service cracks in aircraft assemblies and the parts being examined are covered by aircraft skin, only the area of the film that falls within a 10° cone of radiation (10° total solid angle, apex at the radiation source, central axis of cone equal to central axis of radiation beam) shall be considered valid for interpretation.

6.27 *Quality Assurance Provisions:*

6.27.1 *Responsibility for Examination*—The NDT facility is responsible for furnishing all supplies in conformance to contract or purchase order requirements and, unless otherwise specified in the contract or purchase order, the performance of all examination requirements contained herein. The examination provisions contained herein shall become a part of the NDT facility overall examination system or quality program.

6.27.2 *Examination Report*—The results of all radiographic examinations shall be recorded and kept on file in accordance with the contract or purchase order. The examination reports shall reference this practice, or the applicable specification and provide for traceability to the specific part or lot examined and shall include the examiner’s identification, the date of the examination, the disposition of the component (accept or reject), and the reason for rejection of any items.

6.27.3 *Film Processing Control*—Film processing shall be controlled and monitored in accordance with [Annex A4](#).

6.27.4 *Viewers*—Maximum readable density shall be determined as follows and measurements shall be in accordance with [Guide E1390](#):

6.27.4.1 The maximum light intensity for each viewing port shall be determined using a light meter that measures luminance in candelas/m<sup>2</sup> or footlamberts and controlled in accordance with [Fig. 1](#). Divide candela/m<sup>2</sup> by 3.426 for conversion to footlamberts.

6.27.4.2 Readings shall be taken at the center of spot viewers, and at the visually dimmest area of the viewing surface for all other types of viewers. Light levels shall be recorded in accordance with [Table 2](#).

6.27.4.3 The maximum readable film density shall be determined in accordance with [Fig. 1](#) and posted on each viewer for each viewer port.

6.27.4.4 Maximum readable film density values shall be established when the viewer is procured, and shall be re-established when the viewer is repaired, altered, or a bulb is changed.

6.27.5 *Densitometer Calibration and Verification Check*—The densitometer shall be calibrated and verified in accordance with [Practice E1079](#) and [Table 2](#) requirements. Calibration of

**TABLE 4 Geometric Unsharpness (Ug) (Maximum)**

Material Thickness, in. (mm)	Ug, in.	Ug, mm
Under 2 (50.8)	0.020	0.5
2 (50.8) through 4 (101.6)	0.030	0.75
Over 4 (101.6)	0.040	1.0

the stepwedge film shall be verified by comparison to a NIST-serialized step tablet (SRM 1001, or SRM 38100C, or both). Stepwedge calibration frequency shall be in accordance with [Table 2](#).

6.27.6 *Ambient Light*—Subdued lighting in the viewing room is preferred rather than total darkness. Background illumination lighting shall be arranged such that light reflections do not interfere with review of radiographs. Background ambient light levels shall not exceed 30 lux (3fc); light levels shall be measured at the viewer surface, with the viewer off, and recorded in accordance with [Table 2](#).

6.27.7 *Dark Adaptation*—The interpreter should wait sufficient time, after entering the viewing area, before interpreting radiographs that the features of the IQI are visible (hole and IQI outline). If the eyes are momentarily subjected to the full brightness of the illuminator, at least 30-s readaptation should be allowed.

6.27.8 *Retention of Radiographs*—Retention and delivery of radiographs and other records (see [6.1](#), written procedure; and [6.27.2](#), examination report) shall be in accordance with the provisions specified in the contract. For DoD contracts they shall be in accordance with the contract data requirements list (see [7.1](#)). If no specific requirements are specified for retention or delivery of radiographs, they shall become the property of the purchaser of the component.

6.27.9 *Storage of Radiographs*—When storage of radiographs is required by contract or purchase order, the radiographs shall be stored in an area with sufficient environmental control to preclude image deterioration or other damage for the required storage duration. The radiographs storage duration requirements and location shall be as agreed upon between purchaser and supplier. (See [Guide E1254](#) for storage information.)

6.27.10 *Reproduction of Radiographs*—When radiographs are reproduced for the cognizant engineering organization, the quality assurance program shall include a procedure for controlling and monitoring the accuracy of the process, so that the radiograph, when reproduced to its original size, will provide the IQI image and required holes as on the original radiograph.

6.27.10.1 The reproduction process shall be subject to the approval of the cognizant engineering organization.

6.27.10.2 Procedures for microfilming shall contain applicable requirements pertaining to exposure, scanning, focusing, contrast, resolution, and distinguishing film artifacts that might appear as material discontinuities in the reproduced image.

6.27.10.3 The reproduction process for radiographs may use an image projection system when the process provides the IQI image and required holes as in the original radiograph when the image is projected to its original size.

6.27.10.4 When the reproduction process consists of an Image Projection System the projected image shall be projected to the radiograph's original size; the IQI image and required hole(s) shall be the same as the original radiograph.

## 6.28 *Marking*:

6.28.1 *Acceptable Parts*—Parts that conform satisfactorily to applicable radiographic examination requirements shall be marked in accordance with the applicable drawing, purchase order, contract, or as specified herein. Markings shall be

applied in such a manner and location as to be harmless to the part. Identification shall not be smeared or obliterated by subsequent handling. When subsequent processing would remove identification, the applicable marking shall be affixed to the records accompanying the parts or assembly.

6.28.2 *Impression Stamping, Laser Marking, or Vibro Engraving*—Impression stamping, laser marking, or vibro engraving shall be used only where permitted by the applicable specifications or drawings. Unless otherwise specified, marking shall be located in areas adjacent to the part number.

6.28.3 *Etching*—When impression stamping, laser marking, or vibro engraving is prohibited, parts may be marked by etching. Suitable etchants and application methods shall be employed. Etching methods other than fluid etching may be used.

6.28.4 *Dyeing*—Where etching, impression stamping, laser marking, or vibro engraving are not appropriate, identification may be accomplished by dyeing or ink stamping.

6.28.5 *Other Identification*—Other means of identification, such as tagging, may be applied to parts for which construction, finish, or functional requirement preclude the use of etching, impression stamping, vibro engraving, laser marking, dyeing, or ink stamping.

6.28.6 *Symbols*—Each part that has successfully passed radiographic examination shall be marked as follows:

6.28.6.1 When impression stamping, laser marking, vibro engraving, etching, or ink stamping is applicable, symbols shall be used. The symbol shall contain an identification symbol of the facility.

(1) Except for specialized applications, use the symbol “X” enclosed in a circle to denote 100 % radiographic examination.

(2) *When Sampling is Used*—Parts actually radiographed shall be marked as specified in (1). All items in the lot accepted on a sampling basis (part of the lot but not actually radiographed) shall be marked using the symbol “X” enclosed in an ellipse.

6.28.6.2 When dyeing is applicable, blue dye shall be used to indicate 100 % radiographic examination. When sampling is used, orange dye shall be used to indicate parts accepted on a sampling basis (part of the lot not actually examined), while the parts of the lot actually examined shall receive blue dye.

## 7. Notes

### 7.1 *Government Contracts*:

7.1.1 *Data Requirements*—The following Data Item Descriptions (DID's) must be listed, as applicable on the Contract Data Requirement List (DD Form 1423) when this practice is applied on a contract, in order to obtain the data, except where DoD FAR Supplement 27.475-1 exempts the requirement for a DD Form 1423.

7.1.2 The current issue of DoD 5010.12-L, Acquisition Management Systems and Data Requirements Control List (AMSDL), must be researched to ensure that only current, cleared DID's are cited on the DD Form 1423. Reference DID number DI-MISC-80653, Test Reports.

## 8. Keywords

8.1 image quality indicator; nondestructive testing; penetrating radiation; radiographic; radiographic examination; radiography; radioscopy; X-ray

## ANNEXES

### (Mandatory Information)

#### A1. ALTERNATE TYPE IQI DESIGN (MIL-STD-453)

A1.1 *Alternate Hole-Type IQI's*—The IQI design shall be as follows:

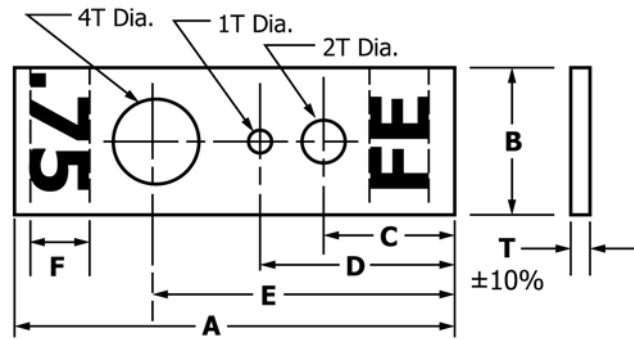
A1.1.1 Image quality indicator dimensions shall be in accordance with Fig. A1.1.

A1.1.2 The IQI's shall be fabricated from the same material group (see 3.2.5) or radiographically similar materials (see 5.5.2) as the object to be radiographed.

A1.1.3 The IQI's shall be identified as to material group (see Fig. A1.1) and thickness relative to the thickness of the component to be radiographed. Identification shall consist of lead letters and numbers, or a material of similar radiographic opacity.

A1.1.4 Material identification shall be the chemical symbol of the predominant element. For example, if iron is the predominant element, “FE” shall be used. Identification of some common materials are listed in Fig. A1.1. When the material is a composite or does not have a predominant element, a controlled system for IQI identification shall be established and referenced in the written procedure (see 6.1).

A1.1.5 The IQI thickness identification shall consist of a two-digit number that expresses the material thickness in one hundredths of an inch, .XX. For example, a specimen thickness of  $\frac{3}{4}$  in. requires an IQI identified by the two-digit number .75.



T, in.	Increments, in.	A, in.	B, in.	C, in.	D, in.	E, in.	F, in.
0.005 - 0.020, incl	0.0025	2.000	0.500	0.520	0.800	1.150	0.250
0.025 - 0.050, incl	0.005	2.000	0.500	0.520	0.800	1.150	0.250
0.060 - 0.160, incl	0.010	2.8	1.000	0.800	1.250	1.900	0.375

NOTE 1—

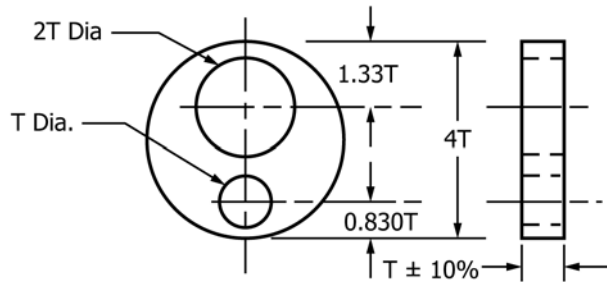
Minimum IQI thickness = 0.005 in.  $\pm 10\%$ .

Minimum diameter for 1T hole = 0.010 in.  $\pm 10\%$ . (Hole is not 1T for thicknesses less than 0.010 in.)

Minimum diameter for 2T hole = 0.020 in.  $\pm 10\%$ . (Hole is not 2T for thicknesses less than 0.010 in.)

Minimum diameter for 4T hole = 0.040 in.  $\pm 10\%$ . (Hole is not 4T for thicknesses less than 0.010 in.)

**Design for IQI Thicknesses up to and Including 0.160 in.**



**Design for IQI Thickness of 0.180 in. and Over made in 0.020 in. Increments**

Symbol	Material
SS	Stainless steel
AL	Aluminum
FE	Steel
MG	Magnesium
CU	Copper
TI	Titanium

NOTE 2—All Dimensions in inches.

NOTE 3—Holes shall be true and normal to the surface of the IQI. Do not chamfer.

NOTE 4—Tolerances on IQI thickness and hole diameter shall be  $\pm 10\%$  or  $\frac{1}{2}$  of the thickness increment between IQI sizes, whichever is smaller.

NOTE 5—Steel IQI's (FE) and stainless steel IQI's (SS) shall be considered to be from the same material group.

**FIG. A1.1 Alternate Hole Type IQI**



## A2. FABRICATION WELDS

A2.1 *Fabrication Welds*—Accessible surfaces of welds to be radiographed shall be prepared as necessary in accordance with the welding process specification if applicable, and the valleys between beads, weld ripples, or other surface irregularities are blended to a degree such that the resulting radiographic contrast due to surface condition cannot mask or be confused with that of any defect.

A2.2 *IQI Selection for Welds*—For butt joints on simple structures such as pipe or plate, the thickness on which the IQI is based shall be the single-wall thickness plus any reinforcement allowed. For T-joints, lap joints, corner joints, fillet welds, weld surfacing, or for joints in complex assemblies where both sides of the joint are not accessible, the IQI shall be based on the total thickness through which the X-ray beam will pass. If different size sections are joined, the IQI shall be based on the thinner wall section. Backing strips or rings are not considered as a part of the weld, base material, or reinforcement (bead) thickness upon which the IQI is based. If subsequent machining or mechanical preparation reduces the weld thickness, IQI shall be based on final product thickness. If the required sensitivity cannot be obtained, radiographic examination shall be required after final machining or mechanical preparation.

A2.2.1 *IQI Placement for Welds*—The IQI's shall be placed on the source side parallel with, and at least  $\frac{1}{8}$  in. (3.2 mm), and not more than  $1\frac{1}{4}$  in. (32 mm) from the weld being radiographed. When the weld is not radiographically similar or where part geometry precludes placement, the IQI wire or hole of the required sensitivity, as applicable, may be placed over the weld but outside of the area of interest. When weld-reinforcement (weld bead), backing rings or strips are not removed, a shim of the same material group or radiographically similar material (see 5.5.2) shall be placed between the IQI and base material to provide approximately the same thickness of material under the IQI as the average thickness of the weld reinforcement plus the wall thickness and backing strip or ring.

A2.2.2 *Examination Coverage for Welds*—Unless otherwise specified on the engineering drawing or other contractual documents, welded parts requiring radiography shall be radiographed for 100 % of the length of the weld zone, including the weld heat affected zone.

A2.2.3 *Longitudinal Circumferential Weld Junctures*—Where portions of longitudinal welds adjoining a circumferential weld are being examined simultaneously with the circumferential weld, additional IQI's shall be placed on the longitudinal weld at the outer edge of the cone of radiation used to radiograph the circumferential weld.

A2.2.4 *Longitudinal Welds*—For longitudinal welds, an IQI shall be placed at the extreme end of the area to be interpreted.

The long axis of the IQI shall be parallel with and at least  $\frac{1}{8}$  in. (3.2 mm), but not more than  $1\frac{1}{4}$  in. (32 mm) from the weld edge.

A2.2.5 *Circumferential Welds*—Except as provided in A2.2.5.1 and A2.2.5.2, radiography shall be performed in which the radiation passes through only one wall. When double-wall techniques are used, either superimposed or elliptical (offset) projections may be used.

A2.2.5.1 *Double-Wall Exposure, Double-Wall Image*—Welds in pipe and tubes  $3\frac{1}{2}$  in. (88.9 mm) and less in nominal size (diameter) may be radiographed using the double-wall method where the radiation passes through both walls and both walls are viewed together for acceptance. An IQI, based on the double-wall thickness plus twice the weld reinforcement, as applicable, shall be placed on the source side, on top of a shim approximately equal to twice the weld reinforcement. As an alternate, the same IQI and shim may be placed on the source side of a like section that is placed adjacent to the weld being radiographed. When impractical to do the preceding, the IQI may be placed on top of a block that is approximately equal to twice the wall thickness plus twice the weld reinforcement, as applicable. The IQI and block shall be placed on a low-density material (such as polystyrene plastic or its equivalent), adjacent to the weld being examined, so that the top of the block is level with the upper surface of the tube or pipe. The minimum source-to-film distance shall be calculated using the outside diameter of the pipe or section as the material thickness “t” (see 6.23).

A2.2.5.2 *Double-Wall Exposure, Single-Wall Image*—For welds in pipe and tubes greater than  $3\frac{1}{2}$  in. (88.9 mm) in nominal size (diameter), only the weld closest to the film shall be viewed for acceptance. An IQI, corresponding to the single-wall thickness plus any single-wall weld reinforcement, shall be placed adjacent to the weld on the inner wall on top of a shim equal to the weld reinforcement. When this is not possible, the same IQI and shim may be placed on the inner wall of a like section of a tube or pipe placed adjacent to the weld being radiographed. When a like section of the tube or pipe is unavailable, the IQI may be placed on a block adjacent to the weld being radiographed. The block thickness shall be equivalent to twice the wall thickness plus any single-wall weld reinforcement. The top of the block shall not be any lower than the inner surface of the inner wall of the tube or pipe. The minimum source-to-film distance shall be calculated using the single-wall material thickness as “t” (see 6.23).

A2.3 *Electron Beam (EB) Welds*—The central beam of radiation shall be in line with and parallel to the fusion interface. Cognizant Engineering Organization approval is required when the beam to weld angle exceeds  $2^\circ$ .

### A3. PROPELLANTS/EXPLOSIVES

A3.1 *Installed Explosives/Propellants*—For the radiography of explosives/propellants contained within a vessel, the IQI shall be based on a chord length thickness of the explosive/propellant that is traversed by the X-ray beam. When it is not possible to obtain the required radiographic quality level using an IQI that is based only on the explosive/propellant thickness, the chord lengths through the vessel wall material layers may be used in determining the total equivalent thickness of explosive/propellant upon which the IQI thickness is to be determined. The equivalencies shall be determined in the following manner:

$$ET = AC/B \quad (A3.1)$$

For energy levels of 320 keV and less, the following equation shall be used:

$$ET = M_a AC/M_b B \quad (A3.2)$$

where:

- A = physical density of the vessel section,
- B = physical density of propellant/explosive,
- C = thickness of vessel section traversed by the center of the X-ray beam,
- ET = equivalent thickness of propellant/explosive for each vessel wall material traversed by the center of the X-ray beam,
- $M_a$  = mass attenuation coefficient of the predominant element of the vessel section, and
- $M_b$  = Mass attenuation coefficient of the predominant chemical element of the propellant/explosive.

NOTE A3.1—These relationships were derived experimentally and have been determined adequate for the evaluation of vessels containing explosives/propellants.

The IQI's may be fabricated from inert materials that have approximately the same physical density as the propellant/explosive to be radiographed. As an alternate, the IQI may be fabricated from, and based on, a more dense material with a thickness that has been equated to the total equivalent propellant/explosive thickness as determined by the method previously shown.

A3.2 *Single-Wire IQI's*—Single-wire IQI's of a denser (metallic) material may be used provided the thickness of metal upon which the IQI is based has been equated to the equivalent explosive/propellant thickness by the method shown in A3.1. Wire thickness shall be equated to hole-type radiographic quality levels (as specified in Table 3 by the following method:

$$\text{Wire IQI diameter} = TPY/XF \quad (A3.3)$$

For energy levels of 320 keV and less, the following equation shall be used:

$$\text{Wire IQI diameter} = M_a TPY/M_b XF \quad (A3.4)$$

where:

- T = total equivalent thickness, or thickness of explosive/propellant material,
- P = required sensitivity as a percentage of material thickness (that is equivalent IQI sensitivity),
- Y = density of explosive/propellant,
- X = density of IQI material,
- F = form factor for round wire (0.7854),
- $M_a$  = mass attenuation coefficient of the predominant element of the vessel section, and
- $M_b$  = mass attenuation coefficient of the predominant chemical element of the propellant/explosive.

### A4. FILM PROCESSING SOLUTION CONTROL

A4.1 *Processing Equipment and Solutions*—For both automated and manual processing, solutions and equipment shall be maintained per manufacturer's recommendations to ensure a consistent and acceptable level of performance. Guide E999 should be consulted for guidance on film processing. The following shall be performed and recorded:

#### A4.2 Automated Processing:

A4.2.1 *Processor Performance*—Processor performance shall be determined by comparing a Monitor Film to a Control Film, as scheduled in A4.2.1.1 and Table 2 in freshly mixed seasoned developer.

A4.2.1.1 *Control Film*, shall be a sensitometric film strip, or pre-exposed film of a standard test piece (see Note A4.1). When using the standard Test Piece Method to produce the Control Film, establish a standardized technique and dedicate one batch of film to reduce variables. The Control Film shall have at least one area with a density of 2.0 to 2.5 H&D

inclusive, and can include an unexposed area of the film for monitoring base fog. (Sufficient blocking should be used to ensure that the area for monitoring base fog receives no radiation exposure.) Control Film densities shall be measured and recorded, establishing nominal control values. (Newly changed solutions should be seasoned in accordance with Guide E999 prior to processing the Control Film.)

NOTE A4.1—The test piece shall be a block of uniform thickness, or a stepwedge. Both the block and stepwedge shall be large enough to ensure that no radiation due to undercutting has affected the area of interest.

A4.2.1.2 *Monitor Film*—To monitor processor performance, a Monitor Film shall be processed to the standardized technique or a sensitometric film strip shall be used. The Monitor Film density shall be measured in the same areas as the Control Film and compared to the Control Film densities. The Monitor Film densities shall be within  $\pm 10\%$  of the current Control Film. If the Monitor Film density is out of tolerance, necessary steps shall be taken to correct the problem, and another

Monitor Film shall be processed to verify that the problem has been corrected. Monitor Film for the past four weeks shall be maintained for auditing purposes. Any production film processed from the last successful check need not be discarded provided the radiographic quality level and density requirements of 6.9 and 6.10 are achieved. Density measurements shall be recorded as scheduled in **Table 2**.

**A4.2.2 Replenishment Rates**—The rate at which developer and fixer are replenished shall be maintained within the manufacturer’s recommended range and checked when solutions are changed, during preventative maintenance, or maintenance associated with the replenishment system. Replenishment rates shall be checked in accordance with the manufacturer’s instructions (preventative maintenance does not include the daily cleaning of the cross-overs, and so forth). Flow rates shall be recorded as scheduled in **Table 2**.

**A4.2.3 Developer Temperature**—The temperature of the developer shall be maintained within the manufacturer’s limits and checked on the processor prior to use. A calibrated thermometer shall be used to verify temperature during preventative maintenance.

**A4.2.4 Transport Speed**—The transport speed shall be set as prescribed by the manufacturer. It shall be measured and recorded as scheduled in **Table 2**.

**A4.2.5 Base Fog**—The base fog level shall be monitored and can be included with the test film as an unexposed portion

of the film. The maximum base fog shall be 0.30 for Class I, II, or special film systems. It shall be measured and recorded as scheduled in **Table 2**.

**A4.2.6 Wash**—Maintain water flow to ensure proper washing to remove residual fixer from film which could cause subsequent damage (staining) and deterioration of the radiographic image. The effectiveness of washing may be checked by using the method prescribed in Guide **E999**.

#### **A4.3 Manual Processing:**

**A4.3.1 Processing Performance**—Film processing shall be monitored by processing a sensitometric or a pre-exposed film of a standard test piece as prescribed in **A4.2.1.2**. The test shall be run daily or before use.

**A4.3.2 Developer Temperature**—A time-temperature system shall be maintained within the manufacturer’s recommendations. The developer solution shall be stirred and the temperature checked prior to development.

**A4.3.3 Film Processing Log**—A log shall be maintained to show the number, size, and date of film processed.

**A4.3.4 Replenishment Rates**—Replenishment shall be in accordance with the manufacturer’s recommendations. The replenishing dates and the mixing dates of new solution shall be recorded.

## **APPENDIX**

### **(Nonmandatory Information)**

#### **X1. HOLE TYPE IQI (SI UNITS)—NOT TO BE USED FOR MANUFACTURE**

**X1.1** The conversion to SI units for thicknesses and hole diameters is for reference use only.

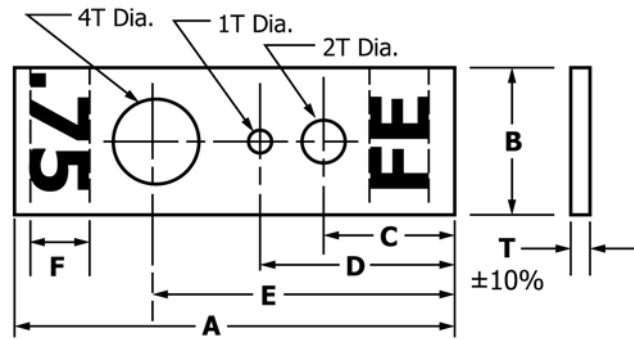
**X1.1.1** The IQI is identified as to material group (see **Fig. X1.1**) and thickness relative to the thickness of the component to be radiographed. Identification consists of lead letters and numbers, or a material of similar radiographic opacity.

**X1.1.2** Material identification is the chemical symbol of the predominant element. For example, if iron is the predominant

element, “FE” is used. Identification of some common materials is listed in **Fig. X1.1**.

**X1.1.3** The IQI thickness identification consists of a two-digit number. For example, a specimen thickness of  $\frac{3}{4}$  in. (19.05 mm) requires an IQI identified by the two-digit number .75 (19.05 mm).

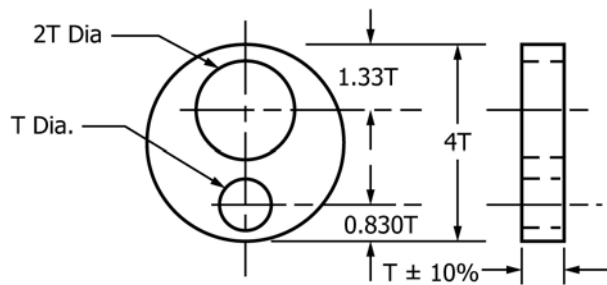
**X1.1.4** **Notes 1-5** represent direct conversion to SI units for reference use only.



T, (mm)	Increments, (mm)	A, (mm)	B, (mm)	C, (mm)	D, (mm)	E, (mm)	F, (mm)
0.127 - 0.508	0.064	50.8	12.7	13.2	20.3	29.2	6.35
0.635 - 1.27	0.127	50.8	12.7	13.2	20.3	29.2	6.35
1.52 - 4.06	0.254	71.1	25.4	20.3	31.8	48.3	9.53

NOTE 1—Minimum IQI thickness = 0.127 mm ± 10 %.  
 Minimum diameter for 1T hole = 0.254 mm ± 10 %. (Hole is not 1T for thicknesses less than 0.254 mm).  
 Minimum diameter for 2T hole = 0.508 mm ± 10 %. (Hole is not 2T for thicknesses less than 0.254 mm).  
 Minimum diameter for 4T hole = 1.016 mm ± 10 %. (Hole is not 4T for thicknesses less than 0.254 mm).

**IQI Thicknesses up to and Including 4.06 mm**



**IQI Thickness of 4.57 mm and Over made in 0.0508 mm Increments**

Symbol	Material
SS	Stainless steel
AL	Aluminum
FE	Steel
MG	Magnesium
CU	Copper
TI	Titanium

NOTE 2—All Dimensions in mm.  
 NOTE 3—Holes shall be true and normal to the surface of the IQI. Do not chamfer.  
 NOTE 4—Tolerances on IQI thickness and hole diameter shall be ±10 % or ½ of the thickness increment between IQI sizes, whichever is smaller.  
 NOTE 5—Steel IQI's (FE) and stainless steel IQI's (SS) shall be considered to be from the same material group.

**FIG. X1.1 Hole Type IQI (SI Units) for reference use only**



**SUMMARY OF CHANGES**

Committee E07 has identified the location of selected changes to this standard since the last issue (E1742 - 11) that may impact the use of this standard. (November 1, 2012)

- (1) Added paragraph reference (A4.3.2) for “Developer Temperature” under Processing Performance in **Table 2**.
- (2) Revised **A4.3.2**.
- (3) Revised **6.1.5** to add example for film loading instructions.
- (4) Added “geometric” to **6.23** and **Table 4**’s title.
- (5) Revised **6.27.9**.
- (6) Added **Appendix X1** to provide SI units for the Hole Type IQI design.
- (7) Revised **6.7** to include the current nonfilm technique references. Also, added newly referenced ASTM standards to **2.2**.

*ASTM International takes no position respecting the validity of any patent rights asserted in connection with any item mentioned in this standard. Users of this standard are expressly advised that determination of the validity of any such patent rights, and the risk of infringement of such rights, are entirely their own responsibility.*

*This standard is subject to revision at any time by the responsible technical committee and must be reviewed every five years and if not revised, either reapproved or withdrawn. Your comments are invited either for revision of this standard or for additional standards and should be addressed to ASTM International Headquarters. Your comments will receive careful consideration at a meeting of the responsible technical committee, which you may attend. If you feel that your comments have not received a fair hearing you should make your views known to the ASTM Committee on Standards, at the address shown below.*

*This standard is copyrighted by ASTM International, 100 Barr Harbor Drive, PO Box C700, West Conshohocken, PA 19428-2959, United States. Individual reprints (single or multiple copies) of this standard may be obtained by contacting ASTM at the above address or at 610-832-9585 (phone), 610-832-9555 (fax), or [service@astm.org](mailto:service@astm.org) (e-mail); or through the ASTM website ([www.astm.org](http://www.astm.org)). Permission rights to photocopy the standard may also be secured from the Copyright Clearance Center, 222 Rosewood Drive, Danvers, MA 01923, Tel: (978) 646-2600; <http://www.copyright.com/>*