



# Standard Test Method for Fire Testing of Mattresses<sup>1</sup>

This standard is issued under the fixed designation E1590; the number immediately following the designation indicates the year of original adoption or, in the case of revision, the year of last revision. A number in parentheses indicates the year of last reapproval. A superscript epsilon ( $\epsilon$ ) indicates an editorial change since the last revision or reapproval.

## 1. Scope\*

1.1 This is a fire-test-response standard.

1.2 This test method provides a means of determining the burning behavior of mattresses used in public occupancies by measuring specific fire test responses when the test specimen, a mattress or mattress with foundation, is subjected to a specified flaming ignition source under well ventilated conditions.

1.3 This is a test method for mattresses or mattresses with foundations.

1.4 Test data are obtained describing the burning behavior, following application of a specific ignition source, from ignition until all burning has ceased, a period of 1 h has elapsed, or flashover appears inevitable.

1.5 This test method does not provide information on the fire performance of mattresses under fire conditions other than those specified in this test method. In particular, this test method does not apply to smoldering ignition by cigarettes. See 5.12 for further information.

1.6 The rate of heat release of burning test specimen is measured by an oxygen consumption method. See 5.12.4 for further information.

1.7 Other measurements are the production of light-obscuring smoke and the concentrations of certain toxic gas species in the combustion gases. See 5.12.5 for further information.

1.8 The burning behavior is documented visually by photographic or video recordings.

1.9 Use the SI system of units in referee decisions; see IEEE/ASTM SI-10. The units given in parentheses are for information only.

1.10 *This standard is used to measure and describe the response of materials, products, or assemblies to heat and flame under controlled conditions, but does not by itself*

*incorporate all factors required for fire hazard or fire risk assessment of the materials, products or assemblies under actual fire conditions*

1.11 *Fire testing is inherently hazardous. Adequate safeguards for personnel and property shall be employed in conducting these tests.*

1.12 *This standard does not purport to address all of the safety concerns, if any, associated with its use. It is the responsibility of the user of this standard to establish appropriate safety and health practices and determine the applicability of regulatory limitations prior to use.*

## 2. Referenced Documents

2.1 *ASTM Standards:*<sup>2</sup>

- D123 Terminology Relating to Textiles
- E84 Test Method for Surface Burning Characteristics of Building Materials
- E176 Terminology of Fire Standards
- E603 Guide for Room Fire Experiments
- E691 Practice for Conducting an Interlaboratory Study to Determine the Precision of a Test Method
- E800 Guide for Measurement of Gases Present or Generated During Fires
- E1354 Test Method for Heat and Visible Smoke Release Rates for Materials and Products Using an Oxygen Consumption Calorimeter
- E1474 Test Method for Determining the Heat Release Rate of Upholstered Furniture and Mattress Components or Composites Using a Bench Scale Oxygen Consumption Calorimeter
- E1537 Test Method for Fire Testing of Upholstered Furniture
- E2067 Practice for Full-Scale Oxygen Consumption Calorimetry Fire Tests
- E2257 Test Method for Room Fire Test of Wall and Ceiling Materials and Assemblies
- IEEE/ASTM SI-10 International System of Units (SI): The Modern Metric System

<sup>1</sup> This test method is under the jurisdiction of ASTM Committee E05 on Fire Standards and is the direct responsibility of Subcommittee E05.15 on Furnishings and Contents.

Current edition approved March 1, 2017. Published March 2017. Originally approved in 1994. Last previous edition approved in 2016 as E1590 – 16. DOI: 10.1520/E1590-17.

<sup>2</sup> For referenced ASTM standards, visit the ASTM website, www.astm.org, or contact ASTM Customer Service at service@astm.org. For *Annual Book of ASTM Standards* volume information, refer to the standard's Document Summary page on the ASTM website.

\*A Summary of Changes section appears at the end of this standard

## 2.2 ISO Standards:<sup>3</sup>

**ISO 4880** Burning Behaviour of Textiles and Textile Products—Vocabulary

**ISO 9705** Fire Tests—Full Scale Room Test for Surface Products

**ISO 13943** Fire Safety—Vocabulary

## 2.3 UL Standards:<sup>4</sup>

**UL 1056** Fire Test of Upholstered Furniture (withdrawn)

**UL 1895** Fire Test of Mattresses (withdrawn)

## 2.4 CA Standards:<sup>5</sup>

**CA Technical Bulletin 121** Flammability Test Procedure for Mattresses for Use in Public Occupancies

**CA Technical Bulletin 129** Flammability Test Procedure for Mattresses for Use in Public Buildings

**CA Technical Bulletin 133** Flammability Test Procedure for Seating Furniture for Use in Public Occupancies

## 2.5 Other Documents:

**CFR Part 1632** Standard for the Flammability of Mattresses and Mattress Pads (formerly DOC FF4-72, 40 FR 59940)<sup>6</sup>

**Nordtest Method NT Fire 032** Upholstered Furniture: Burning Behavior—Full Scale Test<sup>7</sup>

## 2.6 NFPA Standards:<sup>8</sup>

**NFPA 265** Standard Methods of Fire Tests for Evaluating Room Fire Growth Contribution of Textile Coverings on Full Height Panels and Walls

**NFPA 286** Standard Methods of Fire Tests for Evaluating Contribution of Wall and Ceiling Interior Finish to Room Fire Growth

## 3. Terminology

3.1 *Definitions*—For definitions of terms used in this test method and associated with fire issues, refer to the terminology contained in Terminology **E176** and ISO 13943. In case of conflict, the definitions given in Terminology **E176** shall prevail. For definitions of terms used in this test method and associated with textile issues, refer to the terminology contained in Terminology **D123** and ISO 4880. In case of conflict, the definitions given in Terminology **D123** shall prevail.

### 3.2 *Definitions of Terms Specific to This Standard:*

3.2.1 *product, n*—mattress, or mattress with foundation, for which fire-test-response characteristics are to be measured.

3.2.2 *specimen, n*—the manufactured item of the product, or representative prototype of the product.

## 4. Summary of Test Method

4.1 This fire-test-response test method determines a number of fire-test-response characteristics associated with a full-scale

<sup>3</sup> Available from International Organization for Standardization (ISO), 1, ch. de la Voie-Creuse, Case postale 56, CH-1211, Geneva 20, Switzerland, <http://www.iso.ch>.

<sup>4</sup> Available from Underwriters Laboratories (UL), 333 Pfingsten Rd., Northbrook, IL 60062-2096, <http://www.ul.com>.

<sup>5</sup> Available from Bureau of Electronic and Appliance Repair, Home Furnishings and Thermal Insulation, State of California, Dept. of Consumer Affairs, 3485 Orange Grove Ave., North Highlands, CA 95660-5595, [www.bhfti.ca.gov](http://www.bhfti.ca.gov).

<sup>6</sup> Available from U.S. Consumer Product Safety Commission (CPSC), 4330 East West Hwy., Bethesda, MD 20814, <http://www.cpsc.gov>.

<sup>7</sup> Available from Nordtest, P.O. Box 22, SF-00341, Helsingfors, Finland.

<sup>8</sup> Available from National Fire Protection Association (NFPA), 1 Batterymarch Park, Quincy, MA 02169-7471, <http://www.nfpa.org>.

test specimen, mattress or mattress with foundation, ignited with a propane gas burner. Measurements to be made include the rate of heat and smoke release, total amount of heat released, rates and concentrations of carbon oxides released, and rates and amounts of mass of test specimen lost. Other optional measurements are also described.

4.2 In Test Configurations A and B, the test specimen is placed on a weighing platform located in a test room. An exhaust hood, connected to a duct, is located at the doorway of the room.

4.3 In Test Configuration C, the test specimen is placed on a weighing platform located directly under a hood.

4.4 Heat, smoke, and combustion gas release instrumentation is placed in the duct.

4.5 Additional (optional) instrumentation placed in the test room is also described.

## 5. Significance and Use

5.1 This test method provides a means of measuring a variety of fire-test-response characteristics resulting from burning a test specimen, mattress or mattress with foundation. After ignition using a propane gas burner, the test specimen is permitted to burn freely under well-ventilated conditions. The most important fire-test-response characteristic measured in this test method is the rate of heat release, which quantifies the intensity of the fire generated.

5.2 The rate of heat release is measured by the principle of oxygen consumption. **Annex A3** discusses the assumptions and limitations.

5.3 This test method also provides measures of other fire-test-response characteristics, including smoke obscuration (as the rate of smoke release, total smoke released, or optical density of smoke), combustion gas release (as concentrations of combustion gases), and mass loss, which are important to making decisions on fire safety.

5.4 In the majority of fires, the most important gaseous components of smoke are the carbon oxides, present in all fires. They are indicators of the toxicity of the atmosphere and of the completeness of combustion. Measurement of concentrations of carbon oxides are useful for two purposes: (1) as part of fire hazard assessment calculations and (2) to improve the accuracy of heat release measurements. Other toxic combustion gases, which are specific to certain materials, are also indicators of the toxicity of the atmosphere, but are less crucial for determining combustion completeness and are optional measures; however, fire hazard assessment often requires their measurement.

5.5 The type of ignition chosen (flaming source) is common in both accidental and intentional fires in public occupancies. The test method is thus applicable to mattresses in public occupancies. Such facilities include, but are not limited to, health-care facilities, old age convalescent and board and care homes, and college dormitories and residence halls.

5.6 One of the following three configurations is to be used in this test method:

5.6.1 *Test Configuration A*—A test room with the following dimensions: 3.66 by 2.44 by 2.44 m (12 by 8 by 8 ft) high.

5.6.2 *Test Configuration B*—A test room with the following dimensions: 3.66 by 3.05 by 2.44 m (12 by 10 by 8 ft) high.

5.6.3 *Test Configuration C*—An open calorimeter (or furniture calorimeter).

5.7 Rooms of other dimensions are acceptable where it has been shown that equivalent test results are obtained.

5.8 Measurements in the three test configurations listed in 5.6 have been shown to give similar results for heat release in the duct, and mass loss, up to a rate of heat release of 600 kW (1).<sup>9</sup>

5.9 Measurements of temperatures, gas concentrations, and smoke obscuration in the room are dependent on room size.

5.10 This test method has been designed to provide details for the means to build and operate equipment capable of running tests as required by CA TB 129. However, this test method is more general than that technical bulletin.

5.11 Studies on the flammability performance of mattresses indicate that bench scale fire tests are useful for preliminary evaluations of component materials for substitution purposes (see Appendix X3).

5.12 *Limitations:*

5.12.1 This test method is not applicable to ignition by cigarettes, or by any other smoldering source.

5.12.2 The ignition source in this test method is a flaming source, and it has been shown that mattresses, particularly in public occupancies, are involved in fires with flaming ignition sources. Moreover, this particular ignition source has been shown to be able to provide a distinction between different kinds of mattress items. However, the fraction of actual flaming mattress fires occurring with ignitions more or less intense than that used here is not known.

5.12.3 It is not known whether the results of this test method will be equally valid when a mattress is burned under conditions different from those specified. In particular, it is unclear whether the use of a different ignition source, or the same ignition source but having a different duration of flame exposure or a different gas-flow rate, will change the results.

5.12.4 The value of rate of heat release corresponding to the critical limit between propagating mattress fires and non-propagating fires is not known.

5.12.5 As yet, there is not a known direct correlation between smoke obscuration or smoke toxicity measurements in the exhaust duct and overall fire hazard.

5.12.6 This test method does not address changes in fire performance that might occur due to vandalism or to other misuse.

6. Apparatus

6.1 *Room Layout and Instrumentation:*

6.1.1 *Test Room Layout (Test Configuration A)*—The test room shall have dimensions of 2.44 m ± 25 mm by 3.66 m ±

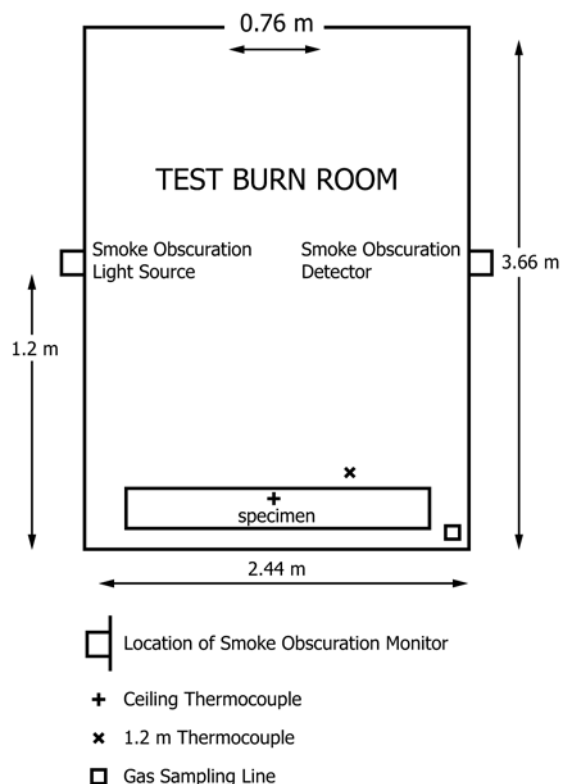
25 mm by 2.44 m ± 25 mm (8 by 12 by 8 ft) high. The room shall have no openings other than a doorway opening 0.76 m ± 6.4 mm by 2.03 m ± 6.4 mm (30 by 80 in.), located as indicated in Fig. 1, and other small openings, as necessary, to make test measurements. Construct the test room of wooden or metal studs, and line it with fire-rated gypsum wallboard or calcium silicate wallboard. Position a hood, as described in Annex A1, outside of the room doorway, such that it collects all of the combustion gases. There shall be no obstructions to the air supply to the test setup.

NOTE 1—Both Type X gypsum wallboard and calcium silicate wallboard with a thickness of at least 13 mm (0.5 in.) have been found acceptable. If the thickness of the wallboard is larger, it will not affect the results of this test method.

6.1.2 *Test Room Layout (Test Configuration B)*—The test room shall have dimensions of 3.05 m ± 25 mm by 3.66 m ± 25 mm by 2.44 m ± 25 mm (10 by 12 by 8 ft) high. The room shall have no openings other than a doorway opening 0.97 m ± 6.4 mm by 2.06 m ± 6.4 mm (38 by 81 in.), located as indicated in Fig. 2, and other small openings, as necessary, to make test measurements. Construct the test room of wooden or metal studs, and line it with fire-rated gypsum wallboard or calcium silicate wallboard. Position a hood, as described in Annex A1, outside of the room doorway, such that it collects all of the combustion gases. There shall be no obstructions to the air supply to the test method setup. (See Note 1.)

6.1.3 *Open Calorimeter Layout (Test Configuration C):*

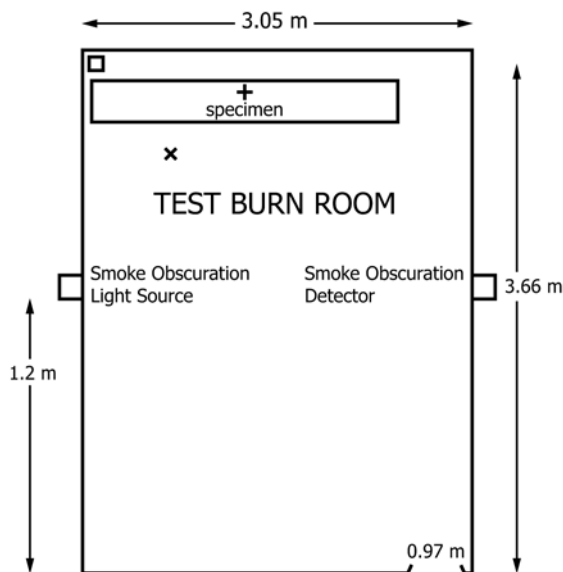
6.1.3.1 The area surrounding the test specimen in an open calorimeter layout shall be sufficiently large that there are no

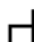





NOTE 1—See text for tolerances; room instrumentation is optional.

FIG. 1 Test Room Configuration A

<sup>9</sup> The boldface numbers in parentheses refer to the list of references at the end of this test method.



-  Location of Smoke Obscuration Monitor
-  Ceiling Thermocouple
-  1.2 m Thermocouple
-  Gas Sampling Line

NOTE 1—See text for tolerances; room instrumentation is optional.

FIG. 2 Test Room Configuration B

heat radiation effects from the walls or any other nearby objects. The airflow to the test specimen shall be symmetrical from all sides.

6.1.3.2 If the heat release rate of the test specimen is below 600 kW, a load cell sited under a hood, and where the distance between the test specimen and any wall is 1 m (3.3 ft) or more, is acceptable.

6.1.3.3 The air supply to the calorimeter shall be sufficient so that it does not affect the burning process.

6.1.4 *General Discussion of Room Layout*—Heat release measurements in the duct, made in Test Configurations A, B, and C, have been shown to yield similar results for heat release rates below 600 kW (see X1.4) (1).

6.1.5 *Other Test Room Furnishings*—The test room shall contain no furnishings except for the test specimen.

6.1.6 *Location of Test Specimen, for Test Configurations A or B*—Position the test specimen on a weighing platform in a corner. Ensure that the test specimen is at a distance of between 0.10 and 0.25 m (4 and 10 in.) from both walls (Fig. 1 and Fig. 2).

6.1.7 *Location of Test Specimen, for Test Configuration C*—Position the test specimen on a weighing platform underneath the hood (Fig. 3).

## 6.2 Ignition Source:

6.2.1 As the ignition source, use a gas burner in the shape of a T, as described in Fig. 4.

6.2.2 Construct the burner of stainless steel, with wall thicknesses of  $0.89 \pm 0.05$  mm ( $0.035 \pm 0.002$  in.). Make the

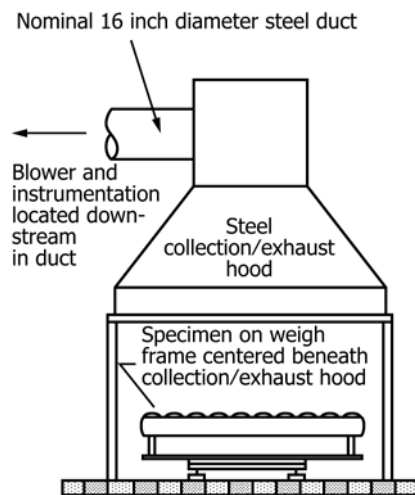


FIG. 3 Test Configuration for Mattress in Furniture Calorimeter

head of the T205  $\pm 10$  mm (approximately  $8 \pm 0.4$  in.) long and  $13 \pm 1$  mm ( $0.5 \pm 0.04$  in.) in outer diameter. Plug the ends of the T. As shown in Fig. 4a and Fig. 4b, construct the burner with two sets of holes equally spaced and centered along the head of the burner and oriented  $90^\circ$  to one another. One set consists of 14 holes and the other of nine holes, with each hole spaced  $13 \pm 1$  mm ( $0.5 \pm 0.04$  in.) from the next. Make the holes  $1 \pm 0.04$  mm ( $0.039 \pm 0.002$  in.) in diameter.

NOTE 2—**Caution:** It is common for the burner holes to become clogged up following a test. Inspect burner holes after each test, and clean thoroughly, if required. Take care not to enlarge the holes when cleaning them.

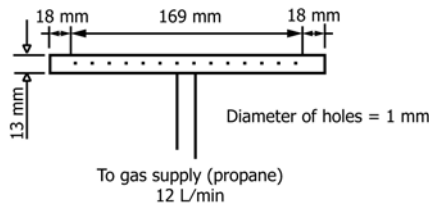
6.2.3 Construct the *handle* of the burner of stainless steel, with the same diameter and thickness as the head. Weld it to the head in the orientation shown in Fig. 4c. When the 14 holes in the head are oriented  $45^\circ$  above the horizontal and the nine holes are oriented  $45^\circ$  below the horizontal, the handle is approximately  $30^\circ$  above the horizontal. Construct the handle such that it is at least 450 mm (approximately 18 in.) long, in order to facilitate its attachment to the support and the propane line.

NOTE 3—In order to align the burner to the test specimen properly, it is necessary to position the head as described below; therefore, the angle between the handle and the head is not critical.

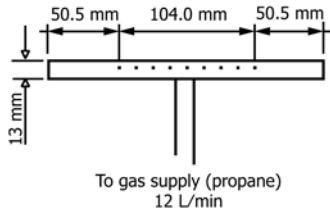
6.2.4 Use propane gas, with a known net heat of combustion of  $46.5 \pm 0.5$  MJ/kg, as a fuel for this ignition source. Meter the flow rate of propane at  $12 \pm 0.25$  L/min, at a pressure of  $101 \pm 5$  kPa (standard atmospheric pressure, measured at the flow gage) and a temperature of  $20 \pm 5^\circ\text{C}$ , or at a flow calculated to be equivalent to these values. To deliver the propane to the burner, use flexible tubing fed into the handle of the burner. Maintain the flow rate of propane constant while the propane gas flame is lit. Mount the burner on an adjustable pole, with a counterweight if necessary, in order to allow the burner to be positioned in the proper location for ignition of the test specimen and then swung out of the way after the propane gas flame is turned off.

6.2.5 The approximate ratio of heat release rate output to gas-flow rate is 1.485 kW min/L under standard conditions.

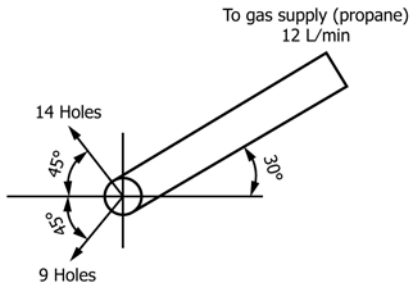




(a) T-Burner Top View



(b) T-Burner Bottom View



(c) T-Burner End View

NOTE 1—See text for tolerances.

**FIG. 4 View of T-shaped Gas Burner: 4a, Burner Head Showing Top Set of Holes; 4b, Burner Head Showing Bottom Set of Holes; and 4c, Side View of Burner Showing Orientation of the Head with the Handle**

The calculated rate of heat release from the burner at the temperature and pressure given above is 17.8 kW.

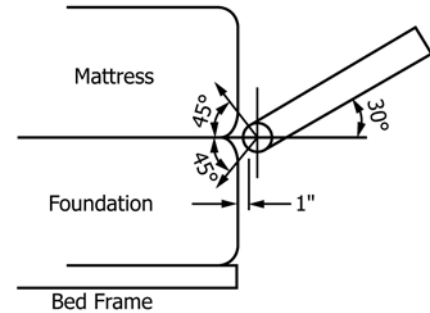
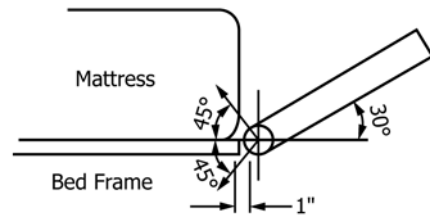
6.2.6 Location of Gas Burner:

6.2.6.1 Orient the burner with respect to the test specimen as shown in Fig. 5.

6.2.6.2 Ensure that the horizontal plane of the head of the burner (depicted in Fig. 4c) is level with the bottom horizontal surface of the test specimen. This orientation shall be such that the 14 holes are directed at the test specimen at an angle of 45° above the horizontal and the nine holes are directed under the test specimen (at the mattress or mattress foundation, if one is used) at an angle 45° below the horizontal. The handle will thus be set, nominally, at a 30° angle above the horizontal.

6.2.6.3 Locate the burner during ignition in such a way that the nearest point of the head of the burner is  $25 \pm 2$  mm ( $1 \pm 0.1$  in.) from the vertical edge of the test specimen.

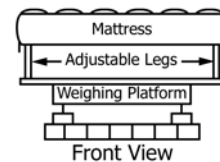
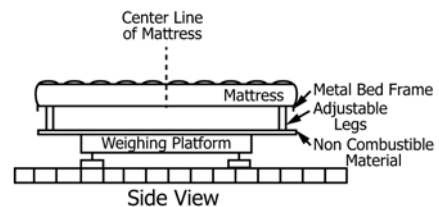
6.3 Mass Loss Measurements:



**FIG. 5 T-Burner Impingement With And Without A Mattress Foundation**

6.3.1 Use a weighing platform to measure the mass of the burning test specimen continuously. Construct a weighing platform, consisting of a horizontal thermal barrier, as described in 6.3.2, and placed on top of a mass measuring device (Fig. 6).

6.3.2 Construct a thermal barrier large enough to prevent melting or falling material from the tested mattress specimen from falling off the thermal barrier. The barrier shall consist of a galvanized steel pan with a gypsum lining placed under the mattress specimen. The barrier shall be used to protect the load cell. The pan shall be constructed of nominally 1.6 mm ( $\frac{1}{16}$  in.) thick steel, and have dimensions of  $1.2 \pm 0.1$  by  $2.4 \pm 0.1$  m ( $4 \text{ ft} \pm 4 \text{ in.}$  by  $8 \text{ ft} \pm 4 \text{ in.}$ ), with a uniform raised lip of the same material,  $100 \pm 10$  mm (approximately 4 in.) high, on each side, to catch falling material. The bottom of the pan shall be covered by a tight fitting section of standard gypsum board (finish side up), of nominally 13 mm (0.5 in.) thickness. The gypsum board shall be clean before the start of a test; the board shall be replaced for each test.



**FIG. 6 Setup for Mass Loss Measurement**

6.3.3 Measure the test specimen mass continuously with a device capable of an accuracy of no less than  $\pm 150$  g, up to at least 90 kg. Install it in such a way that neither the heat from the burning test specimen nor any eccentricity of the load will affect the accuracy. Do not make any range shifts during measurements. Install all parts of the mass measuring device below the top level of the thermal barrier.

6.3.4 The distance from the upper surface of the thermal barrier to floor level shall not exceed 0.3 m (12 in.). The area between the thermal barrier and the floor level shall be shielded, by providing a skirt at the perimeter of the barrier, in order to prevent lifting forces, due to fire-induced air flow, that influence the measurement.

6.3.5 Alternatively, use a suspension-gage weighing system to measure the mass loss of the test specimen in a test room. For this test method, suspend the bed frame from the ceiling with chains (Fig. 7), resulting in penetration through the ceiling of the test room. Keep the hole at the ceiling at an absolute minimum size.

6.4 Exhaust Collection System:

6.4.1 General:

6.4.1.1 Construct the exhaust collection system with the following minimal requirements: a blower, steel hood, duct, bidirectional probe, thermocouple(s), oxygen measurement system, smoke obscuration measurement system (white light photocell lamp/detector or laser), and combustion gas sampling and analysis system. Construct the exhaust collection system as shown in Fig. 8 and as explained in Annex A1.

6.4.1.2 Ensure that the system for collecting the smoke (which includes gaseous combustion products) has sufficient exhaust capacity and is designed in such a way that all of the combustion products leaving the burning test specimen are collected. Design the capacity of the evacuation system such that it will exhaust, minimally, all combustion gases leaving the test specimen (see A1.1.4),

6.4.1.3 Place probes for the sampling of combustion gas and measurement of flow rate in accordance with 6.5.

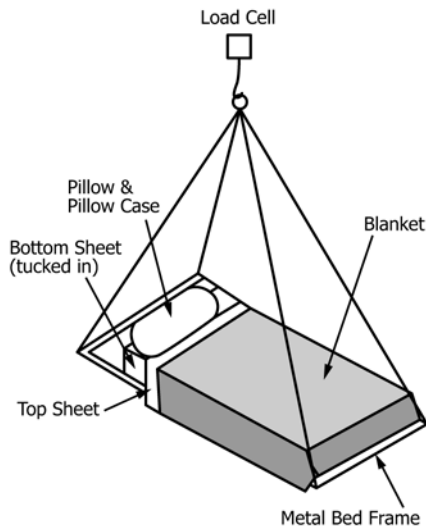


FIG. 7 Bed Assembly With Suspending Strain Gage Load Cell

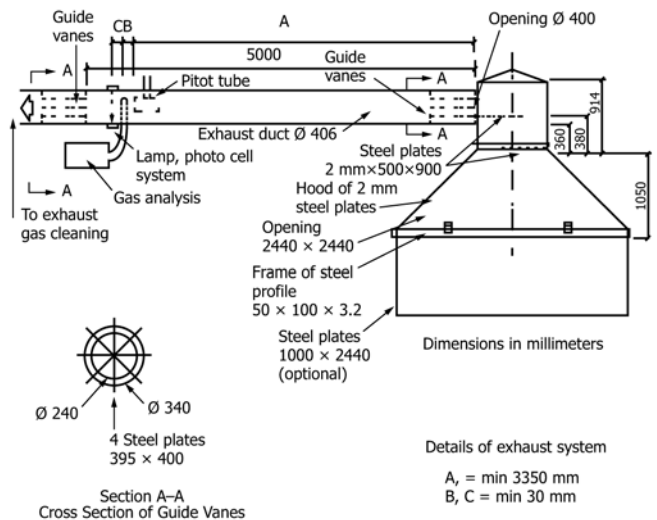


FIG. 8 Design of Hood and Exhaust System

6.4.1.4 Make all measurements of smoke obscuration, gas concentrations, or flow rates at a position in the exhaust duct where the exhaust is mixed uniformly so that there is a nearly uniform velocity across the duct section.

6.4.1.5 To ensure uniform mixing of the exhaust, provide a straight section of duct before the measuring system having a length equal to at least eight times the inside diameter of the duct. If a measuring system is positioned at a distance of less than 8 diameters, demonstrate the achievement of equivalent results.

6.5 Instrumentation in Exhaust Duct:

6.5.1 The following specifications are minimum requirements for exhaust duct instrumentation. Additional information is given in Annex A2.

6.5.2 Flow Rate—Measure the flow rate in the exhaust duct by means of a bidirectional probe, or an equivalent measuring system, with an accuracy of at least  $\pm 6\%$  (see Annex A2 for further details). The response time to a stepwise change of the duct flow rate shall not exceed 5 s to reach 90 % of the final value.

6.6 Combustion Gas Analysis:

6.6.1 Sampling Line—Construct the sampling line tubes of a material not influencing the concentration of the combustion gas species to be analyzed. The following sequence of the gas train has been shown to be acceptable: sampling probe, soot filter, cold trap, gas path pump, vent valve, plastic drying column and carbon dioxide removal columns (if used), flow controller, and oxygen analyzer (see Fig. 9 and Annex A2 for further details). Alternative designs of the sampling line must yield equivalent results. The gas train shall also include appropriate spanning and zeroing facilities.

6.6.2 Oxygen Measurement—Measure the oxygen concentration with an accuracy of  $\pm 0.01$  vol % oxygen, or better, in order to have adequate measurements of the rate of heat release. Take the combustion gas sample from the end of the sampling line. Calculate the time delay, including the time constant of the instrument, from the test room; it is a function

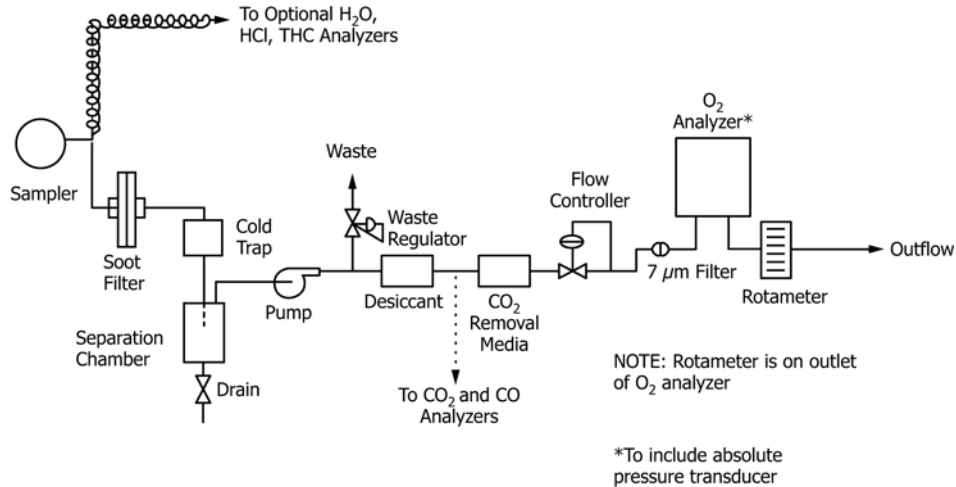


FIG. 9 Schematic of Gas Train

of the exhaust duct flow rate. This time delay shall not exceed 60 s (see Annex A2 for further details).

6.6.3 *Carbon Monoxide and Carbon Dioxide Measurement*—Measure the combustion gas species with an instrument having an accuracy of at least ±0.1 vol % for carbon dioxide and ±0.02 vol % for carbon monoxide. A suitable output range is from 0 to 1 vol % for carbon monoxide and from 0 to 6 vol % for carbon dioxide. Take the combustion gas sample from the end of the sampling line. Calculate the time delay, including the time constant of the instrument, from the test room; it is a function of the exhaust duct flow rate. It shall be a maximum of 60 s (see Annex A2 for further details).

6.7 *Smoke Obscuration Measurement:*

6.7.1 Install an optical system for measurement of the light obscuration across the centerline of the exhaust duct. Determine the optical density of the smoke by measuring the light transmitted with a photometer system consisting of a white light source and a photocell/detector or a laser system for measurement of light obscuration across the centerline of the exhaust duct.

6.7.2 One photometer system found suitable consists of a lamp, lenses, an aperture, and a photocell (see Fig. 10 and Annex A2 for further details). Construct the system so that soot deposits on the optics during a test do not reduce the light transmission by more than 5 %.

6.7.3 Alternatively, instrumentation constructed using a 0.5 to 2.0-mW helium-neon laser, instead of a white light system, is also acceptable (see Fig. 10 and Annex A2, as well as Fig. 11

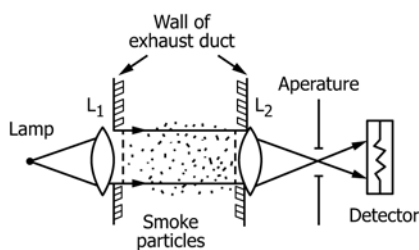


FIG. 10 Optical System Using a White Light

and A2.4, for further details). It has been shown that white light and laser systems will provide similar results (see Refs (2-5)).

7. Test Specimen

7.1 As the test specimen, use an actual manufactured mattress, or prototype thereof, in the configuration of its intended use.

7.1.1 Use the foundation in tests of mattresses intended for use with a foundation.

7.1.2 If the foundation consists exclusively of metallic components, it is acceptable to replace it, for the test, by the bed frame described in 7.4.

7.2 The mattress size to be tested is twin, which has the following dimensions: 0.97 by 1.89 m (38.0 by 74.5 in.). Twin size mattresses have varying thicknesses.

7.2.1 If the intended use of the product requires a size different from twin, the test specimen used shall be the size representative of the intended use. Report the dimensions of the test specimen.

7.3 In all respects, the prototype test specimen shall reflect the construction of the actual mattress that it is intended to represent.

7.4 Support the test specimen by means of a metal bed frame. Construct the bed frame of heavy angle-section iron, with all joints welded and with sinusoidal no-sag type springs.

7.5 Ensure that the top surface of the test specimen is not more than 0.9 m (35.4 in.) from the floor.

8. Calibration

8.1 Calibrate all instruments carefully with standard sources after initial installation. Among the instruments to be calibrated are load cells or weighing platforms, smoke meters, flow or velocity transducers, and gas analyzers. Perform recalibration tests on the entire system, for example, using standard output burners.

8.2 Heat Release:

8.2.1 Perform the calibration of the heat release instrumentation in the exhaust duct by burning propane or methane gas

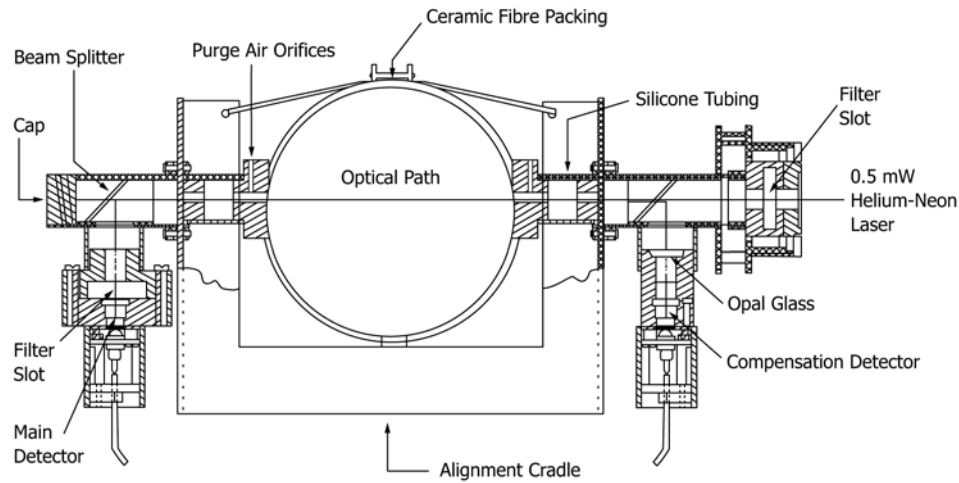


FIG. 11 Laser Extinction Beam

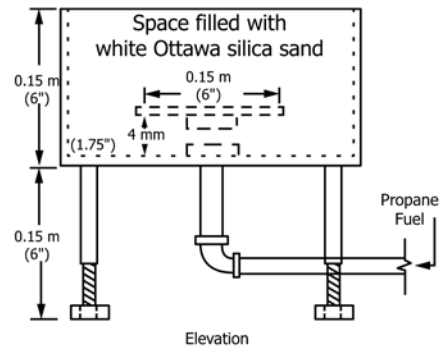
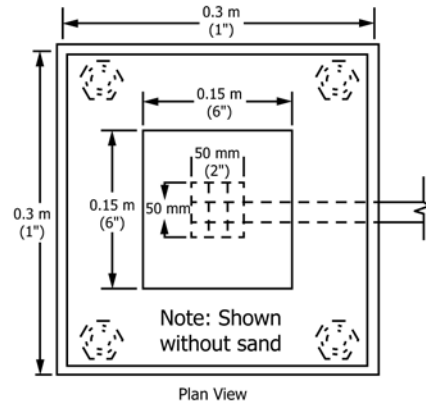
and comparing the heat release rates calculated from the metered gas input and those calculated from the measured oxygen consumption. The value of net heat of combustion for methane is 50.0 MJ/kg, and that for propane is 46.5 MJ/kg. Position the burner in the same location that the test specimen is to be placed during the test. Measure the gas flow rate at a pressure of  $101 \pm 5$  kPa (standard atmospheric pressure, measured at the flow gage) and a temperature of  $20 \pm 5^\circ\text{C}$ .

8.2.2 A suitable calibration burner is a sand diffusion burner with a 0.3 by 0.3-m (12 by 12-in.) top surface and a 0.15-m (6-in.) depth. Construct such a gas burner with a 25-mm (1-in.) thick plenum. Alternatively, use a minimum 100-mm (4-in.) layer of Ottawa sand to provide the horizontal surface through which the gas is supplied. This type of burner is shown in Fig. 12. The gas supply to the burner shall be propane, of the same quality as that used for the ignition burner, or methane. The gas for the burner flame shall not be premixed with air. Meter the flow rate of gas, and keep it constant throughout the calibration test.

8.2.3 Another suitable calibration burner is a pipe, with an inner diameter of  $100 \pm 1.5$  mm (4 in.), supplied with gas from beneath (ISO 9705). The gas for the burner flame shall not be premixed with air.

8.2.4 Obtain a minimum of two calibration points. Obtain a lower heat release rate value of 40 kW and then a higher heat release rate value of 160 kW. Approximate propane flow rates for any required heat release rate value are estimated using the following constant: 1.485 kW min/L, determined at a pressure of  $101 \pm 5$  kPa (standard atmospheric pressure, measured at the flow gage) and a temperature of  $20 \pm 5^\circ\text{C}$ .

8.2.5 Take measurements at least once every 6 s, and start 1 min prior to ignition of the burner. Determine the average rate of heat release over a period of at least 1 min by (1) the oxygen consumption method and (2) calculating the heat release rate from the gas mass flow rate and the net heat of combustion. The difference between the two values shall not exceed 5%. This comparison shall be made only after steady-state conditions have been reached.



NOTE 1—See text for tolerances.  
FIG. 12 Calibration Gas Burner

8.2.6 Perform a calibration test in accordance with to 8.5 prior to each continuous test series. Perform a full basic calibration on a new system or when modifications are introduced.

8.2.7 When calibrating a new system, or modifications are introduced, check the response time of the measuring system by the following test sequence:



Time	Burner output, kW
0 to 5 min	0
5 to 10 min	40
10 to 15 min	160
15 to 20 min	0

The response of the system to a stepwise change of the heat output from the burner shall be a maximum of 12 s to 90 % of final value.

8.2.8 Perform the calibration given in 8.2.7 with the initial duct air flow rate equal to that to be used in the test procedure.

8.2.9 The change in measured rate of heat release, comparing time average values over 1 min, shall not be more than 10 % of the actual heat output from the burner.

8.2.10 The use of a higher rate of heat release for calibration, for example, 500 kW, will generally lead to higher accuracy in the test results.

8.3 *Mass Loss*—Perform calibration of the mass-measuring device by loading the weighing platform with known masses corresponding to the measuring range of interest, to ensure that the requirements of accuracy in 6.3.3 are fulfilled. Conduct this calibration daily, prior to testing.

8.4 *Smoke Obscuration*—Calibrate the smoke meter initially to read correctly for two neutral density filters of significantly different values, and also at 100 % transmission. The use of neutral-density filters at 0.5 and 1.0 values of optical density has been shown to be satisfactory for this calibration. Once this calibration is set, only the zero value of extinction coefficient (100 % transmission) must be verified each day, prior to testing. Investigate any excessive departure from the zero line at the end of a test, and correct it.

8.5 *Gas Analysis*—Calibrate the gas analyzers daily, prior to testing (see Guide E800 for further guidance).

## 9. Conditioning

9.1 Prior to testing, condition the specimen for at least 48 h in an atmosphere at a temperature of  $21 \pm 4^\circ\text{C}$  ( $70 \pm 7^\circ\text{F}$ ) and a relative humidity of less than 60 %. Test the specimens as soon as possible after removal from such conditions if the test room conditions differ from the above. Report the time between removal from conditioning room and the start of testing.

## 10. Procedure

### 10.1 Initial Conditions:

10.1.1 The ambient temperature shall be above  $15^\circ\text{C}$  ( $60^\circ\text{F}$ ), and the relative humidity shall be below 75 %.

10.1.2 The horizontal air flow, measured at both the surface and a horizontal distance of 0.5 m (20 in.) from the edge of the weighing platform, shall not exceed  $0.5 \text{ ms}^{-1}$ .

10.1.3 Position the test specimen and metal bed frame centrally on the weighing platform.

10.1.4 Have means available for extinguishing a fully developed fire.

### 10.2 Test Procedure:

10.2.1 Weigh the test specimen immediately upon removal from the conditioning room and immediately before the start of testing.

10.2.2 Place the T-shaped propane gas burner at the side of the test specimen, as specified in 6.2.6.

10.2.3 Begin all recording and measuring devices 2 min before starting the ignition burner.

10.2.4 Light the ignition burner.

10.2.5 Expose the test specimen to the gas burner flames for 180 s, at a flow rate of 12 L/min, determined at a pressure of  $101 \pm 5 \text{ kPa}$  (standard atmospheric pressure, measured at the flow gage) and a temperature of  $20 \pm 5^\circ\text{C}$ .

10.2.6 Extinguish the gas flame and remove the burner after the specified burning period (180 s).

10.2.7 Perform a photographic or a video recording before and during each test. An indication of elapsed time, giving time to the nearest 1 s, shall appear in all photographic records.

10.2.8 During the test, record the following events and the time when they occur, with respect to the time of ignition of the burner:

10.2.8.1 Ignition of the test specimen,

10.2.8.2 Position of the flame front at various appropriate times,

10.2.8.3 Melting and dripping,

10.2.8.4 Formation of flaming droplets,

10.2.8.5 Occurrence of pool fire under the test specimen,

10.2.8.6 General description of the burning behavior, and

10.2.8.7 Any other event of special interest.

10.2.9 Terminate the test after the first of the following:

10.2.9.1 All signs of combustion have ceased,

10.2.9.2 One hour of testing has elapsed, or

10.2.9.3 Flashover appears inevitable.

10.2.10 Note, from visual inspection of the specimen after the test, the approximate percentage of each surface that was burned or charred, and the approximate depth of fire damage.

## 11. Calculation

11.1 Considerations for heat release measurements are presented in Annex A3. Calculate the heat release data using the equations presented in A4.1. The testing laboratory shall choose one of the equations given in A4.1 for calculating heat release, based on the gas analyzers installed.

11.2 Calculate the smoke release data using the equations presented in A4.2.

11.3 Calculate the gas yield data using the equations presented in A4.3.

## 12. Report

12.1 Report the following descriptive information:

12.1.1 Name and address of the testing laboratory;

12.1.2 Date and identification number of the report;

12.1.3 Name and address of the test requester;

12.1.4 Test configuration used: A, B, or C;

12.1.5 Name of the product manufacturer or supplier, if known;

12.1.6 Name or other identification marks and description of the product;

12.1.7 Density, or mass per unit surface area, total mass, thickness of the main components in the test specimen, and mass of combustible portion of test specimen, if known;

12.1.7.1 Weight change of the test specimen between removal from the conditioning room and the start of testing;

12.1.8 Description of the test specimen, if different from the product;

12.1.9 Conditioning of the test specimen;

12.1.10 Date of the test;

12.1.11 Test number and any special remarks; and

12.1.12 Time between the removal from the conditioning room and the start of testing.

12.2 Report the following test results:

12.2.1 Table of numerical results containing the following:

12.2.1.1 Peak rate of heat release, kW, and the time at which it occurred;

12.2.1.2 Total heat released, MJ;

12.2.1.3 Total heat released at 10 min, MJ;

12.2.1.4 Peak rate of smoke release,  $\text{m}^2\text{s}^{-1}$ , and the time at which it occurred;

12.2.1.5 Total smoke released,  $\text{m}^2$ ;

12.2.1.6 Total smoke released at 10 min,  $\text{m}^2$ ;

12.2.1.7 Total mass loss, kg;

12.2.1.8 Total mass loss at 10 min, kg;

12.2.1.9 Total percentage of mass loss, %;

12.2.1.10 Peak concentration of carbon monoxide, ppm;

12.2.1.11 Peak temperatures,  $^{\circ}\text{C}$ ;

12.2.1.12 Equation used to calculate rate of heat release;

12.2.1.13 Peak optical density of smoke (optional);

12.2.1.14 Average optical density of smoke, over the 10-min period, including the peak (optional);

12.2.1.15 Total percentage of combustible mass loss, % (optional);

12.2.1.16 Average yield of carbon monoxide, g CO/g fuel (optional);

12.2.1.17 ) Average yield of carbon dioxide, g  $\text{CO}_2$ /g fuel (optional);

12.2.1.18 Carbon monoxide/carbon dioxide molar yield ratio (optional); and

12.2.1.19 Average yield of any other measured combustion gas, g combustion gas/g fuel (optional).

12.2.2 *Graphical Results (Optional):*

12.2.2.1 Plot of rate of heat release versus time;

12.2.2.2 Plot of rate of smoke release versus time;

12.2.2.3 Plot of optical density versus time;

12.2.2.4 Plot of mass loss versus time;

12.2.2.5 Plot of concentration of carbon monoxide versus time;

12.2.2.6 Plot of concentration of carbon dioxide versus time;

12.2.2.7 Plots of concentration of any other measured combustion gas versus time;

12.2.2.8 Plot of mass flow rate in the exhaust duct versus time;

12.2.2.9 Plot of duct temperature versus time; and

12.2.2.10 Smoke obscuration, carbon monoxide, and temperature measurements in the room in the same fashion, if they have been made.

12.2.3 *Descriptive Results:*

12.2.3.1 Photographs or videotape of the fire development; and

12.2.3.2 All available information requested in 10.2.8 – 10.2.10.

### 13. Precision and Bias

13.1 *Precision*—An interlaboratory test program was conducted in 1997 using six laboratories. These six laboratories constituted approximately half of all laboratories known to the committee to be capable of executing the test method at the time.<sup>10</sup>

13.1.1 Three replicate samples each of four mattresses were tested. Three samples were polyurethane foam mattress designs with identical construction, but with only the thickness of the polyurethane foam pad varying in each design. The polyurethane foam pads used were 6 mm ( $\frac{1}{4}$  in.), 13 mm ( $\frac{1}{2}$  in.), and 19 mm ( $\frac{3}{4}$  in.) thick. The foam pads were covered by identical top and bottom layers of fabric ticking quilted to a polyurethane foam topper pad and a polypropylene netting insulator, separated by a wire coil construction. Borders were slit from the quilt assemblies used for each design.

13.1.2 The fourth sample was one version of a currently manufactured hospital mattress. This mattress consists of identical top and bottom layers of poly (vinyl chloride) mattress ticking (cover reinforced), boric acid powder treated cotton padding, a 15-mm ( $\frac{5}{8}$ -in.) polyurethane foam pad, a spring insulator consisting of polypropylene-netting, and an inner spring unit made of wire coil construction.

13.1.3 All major required properties were determined for each construction. A statistical analysis is presented in **Table 1** containing precision information for seven fire-test-response characteristics: peak rate of heat release (in kW), total heat released (in MJ), time to peak rate of heat release (in s), total mass loss (in kg), total smoke released (in  $\text{m}^2$ ), peak rate of smoke release (in  $\text{m}^2/\text{s}$ ) and time to peak rate of smoke release (in s). The statistical parameters presented, calculated with the equations in Practice **E691**, are the average of each property from all laboratories (Ave), the repeatability standard deviation ( $s_r$ ), the reproducibility standard deviation ( $s_R$ ), and the number of laboratories reporting each property.

13.2 This is a preliminary study since not all laboratories followed all procedures as detailed in this standard.

13.2.1 The test program encountered a number of problems, which are likely to have contributed to errors in the measurements. Some of the variations are described, in 13.2.1.1 through 13.2.1.4.

13.2.1.1 The tests were conducted in three different types of configurations, namely standard test configurations A, B, and C: two laboratories used configuration A, three laboratories used configuration B and one laboratory used configuration C.

13.2.1.2 The laboratory using configuration C also used sand as a covering on the thermal barrier (see 6.3.2) under the mattress, instead of gypsum board, and a burner with misaligned burner jets. One of the laboratories using configuration B also used misaligned burner jets. The use of sand facilitates cleanup but is likely to lead to a significant decrease in the heat release measured, as burning of the molten material is inhibited

<sup>10</sup> Supporting data have been filed at ASTM International Headquarters and may be obtained by requesting Research Report RR: RR:E05-1011.

**TABLE 1 Precision Estimates from Interlaboratory Round Robin<sup>10</sup>**

	Ave	$s_r$	$S_R$	No. of Laboratories
Peak Rate of Heat Release (kW)				
6 mm	153	22.2	62.1	6
13 mm	288	71.2	129.1	6
19 mm <sup>A</sup>	544	216.0	319.4	6
Hospital <sup>B</sup>	185	87.8	138.8	6
Total Heat Released @ 10 min (MJ)				
6 mm	34.2	8.8	13.7	6
13 mm	49.9	15.4	22.0	6
19 mm	63.0	14.7	24.7	6
Hospital <sup>B</sup>	15.8	7.7	19.4	6
Time to Peak Rate of Heat Release (s)				
6 mm	187.1	45.0	49.2	6
13 mm	179.4	23.2	54.1	6
19 mm	146.4	45.5	51.8	6
Hospital <sup>C</sup>	819.8	551.0	551.0	6
Total Mass Loss (kg)				
6 mm	1.64	0.15	0.25	6
13 mm	2.21	0.29	0.47	6
19 mm	2.86	0.25	0.59	6
Hospital <sup>D</sup>	4.04	1.22	1.32	5
Total Smoke Release (m <sup>2</sup> )				
6 mm	46.2	18.8	27.5	4
13 mm	77.4	17.2	29.7	4
19 mm	134.8	63.8	63.8	4
Hospital	759.7	160.2	471.8	4
Peak Rate of Smoke Release (m <sup>2</sup> /s)				
6 mm	0.29	0.07	0.13	4
13 mm	0.63	0.27	0.35	4
19 mm	1.63	1.01	1.01	4
Hospital	3.06	0.60	2.13	4
Time to Peak Rate of Smoke Release (s)				
6 mm	218.1	67.6	67.6	5
13 mm	188.3	29.3	53.1	5
19 mm	161.2	42.4	44.2	5
Hospital	637.2	478.3	479.1	5

<sup>A</sup> One of the 19-mm (¾-in.) mattresses reached flashover in one test and had a value over three times higher than any other reading. As the test method states that the test shall be terminated “when flashover appears inevitable” that reading was lowered to the flashover value of 1300 kW.

<sup>B</sup> One laboratory reported two test results only with the hospital mattress.

<sup>C</sup> Two laboratories reported two test results only with the hospital mattress.

<sup>D</sup> One laboratory reported two test results only with the hospital mattress.

by the sand. See also [Appendix X5](#) for a revised precision statement excluding these two laboratories.

13.2.1.3 It is not known to the committee whether different computational methods were used by any of the laboratories.

13.2.2 The thermal barrier specified in [6.3.2](#) was incorporated into the test method as a result of this interlaboratory study.

### 13.3 Further Observations:

13.3.1 For all the properties reported, repeatability and reproducibility (that is,  $s_r$  and  $s_R$ ) tend to increase with the property value. Such trends have not been quantified.

13.3.2 *Reproducibility*—Since there are only a small fixed number of possible laboratories, the usual interpretation of reproducibility as a measure of random variation among laboratories does not apply. The primary cause of a high reproducibility standard deviation appears to be because some laboratories show consistent, and significantly different, results: one has consistently high values and one has consistently low values.

NOTE 4—[Appendix X5](#) contains precision estimates that are calculated with the two laboratories that used the misaligned burner configuration removed. One of those laboratories also used sand in the thermal barrier under the mattress, instead of gypsum board.

### 13.4 Bias:

13.4.1 No information is presented on the bias of the procedure in this test method because correct values of the fire-test-response characteristics of mattresses can be defined only in terms of a test method. Within this limitation, this test method has no known bias and is acceptable as a reference method.

13.4.2 For solid test specimens of unknown chemical composition, as used in building materials, furnishings, and common occupant fuel load, it has been documented that the use of the oxygen consumption standard value of 13.1 MJ/kg oxygen for the net amount of heat released per unit of oxygen consumed for complete consumption results in an expected error band of  $\pm 5\%$  compared to the true value. For homogeneous materials with only a single pyrolysis mechanism, this uncertainty is reduced by determining the net heat of combustion from oxygen-bomb measurements and the stoichiometric oxygen/fuel mass ratio from ultimate elemental analysis. For testing relevant to this test method, this is not practical since the test specimens are finished products, some of which are nonhomogeneous and capable of exhibiting degradation reactions. Therefore, for unknown test specimens, a  $\pm 5\%$  accuracy limit is observed. For reference materials, however, it is likely that careful determination of the net heat released per unit of oxygen consumed will make this source of uncertainty substantially less.

## 14. Keywords

14.1 calorimetry; carbon dioxide; carbon monoxide; fire; fire-test-response; heat release; ignition; mattress; oxygen consumption; smoke obscuration; toxic combustion gases

ANNEXES

(Mandatory Information)

A1. DESIGN OF EXHAUST SYSTEM

A1.1 Design of Hood and Exhaust Duct:

A1.1.1 Collect the combustion gases from the burning test specimen by means of a hood. A system is described below that has been tested in practice and proven to fulfill the specifications given in the test method.

A1.1.2 The hood is located just outside the room doorway. The following bottom dimensions have been found satisfactory: 2.4 by 2.4 m (8 by 8 ft), with the height of the hood itself 1.0 m (3 ft, 4 in.) (see Fig. 8). The hood feeds into a plenum having a 0.9 by 0.9-m (3 by 3-ft) cross-sectional area. The plenum has a height of 0.9 m (3 ft). The maximum acceptable plenum height is 1.8 m (6 ft), depending on building constraints. A system with different dimensions is acceptable, provided that equivalence has been demonstrated.

A1.1.3 In the plenum chamber, it has been found that the incorporation of two plates approximately 0.5 by 0.9 m in size (see Fig. 8) is a satisfactory way of increasing mixing of the combustion gases. Alternative gas mixing methods are acceptable if equivalence has been demonstrated. Design and manufacture the hood so that no leakage exists.

A1.1.4 If a laser beam is used, a suitable means of mounting the beam together with the combustion gas sampling probes is shown in Fig. A1.1.

A1.1.5 Connect an exhaust duct to the plenum chamber. The inner diameter of the exhaust duct is 0.4 to 1.0 m (16 to 40 in.). To facilitate flow measurements, guide vanes, if needed, are located at both ends of the exhaust duct (Fig. 8). Alternatively, the rectilinear part of the exhaust duct must have a length such that a fully developed flow profile is established at the point of measurement. Connect the exhaust duct to an evacuation system.

A1.1.6 Design the capacity of the evacuation system to exhaust, minimally, all combustion gases leaving the test specimen. This requires an exhaust capacity of at least  $2.7 \text{ kgs}^{-1}$  (approximately  $8000 \text{ m}^3\text{h}^{-1}$  at standard atmospheric conditions) corresponding to a driving under pressure of approximately 2 kPa at the end of the duct. Provide a means of controlling the exhaust flow from approximately  $0.5 \text{ kgs}^{-1}$  up to maximum flow, as stated above, during the test process. Ensure that the measurement system has a sensitivity sufficient for measuring low rates of heat release. Mixing vanes in the

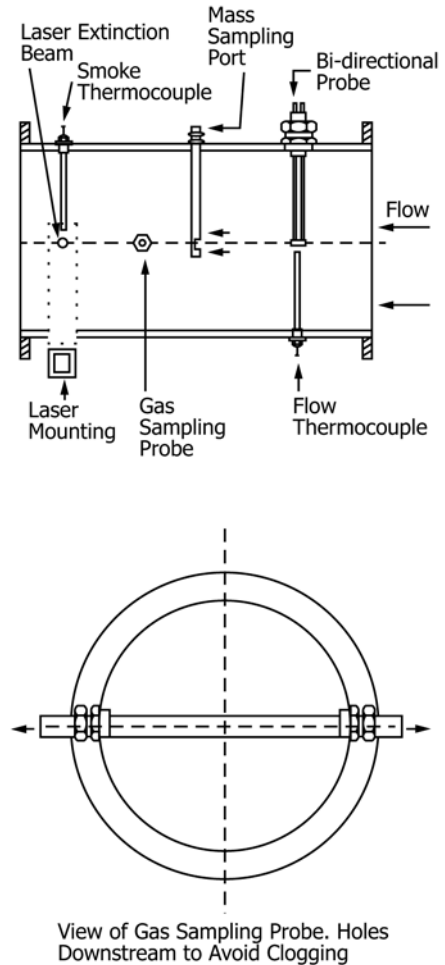


FIG. A1.1 Recommendations for Mounting the Laser Beam and Other Instrumentation in Exhaust Duct

duct are an adequate means of solving the problem if concentration gradients are found to exist.

A1.1.7 An alternative exhaust system design is acceptable if it is shown to produce equivalent results. Equivalency is demonstrated by meeting the calibration requirements given in Section 8. Exhaust system designs based on natural convection are unacceptable.



A2. INSTRUMENTATION IN EXHAUST DUCT

A2.1 Flow Measurement:

A2.1.1 One technique for measuring the flow is a bidirectional probe located at the center line of the duct. The probe shown in Fig. A2.1 consists of a stainless steel cylinder 44 mm (1.75 in.) long and with an inner diameter of 22 mm (0.875 in.). The cylinder has a solid diaphragm in the center, dividing it into two chambers. The pressure difference between the two chambers is measured by a differential pressure transducer.

A2.1.2 Use a differential pressure transducer with an accuracy of at least  $\pm 0.25$  Pa (0.001 in. of water) and of the capacitance type. A suitable range of measurement is from 0 to 150 Pa.

A2.1.3 Place one thermocouple within 152 mm (6 in.) of the bidirectional probe. Use an Inconel sheathed thermocouple, Type K chromel-alumel. The wire gage shall be in the range from 24 to 30 AWG (0.51 to 0.36-mm diameter). Place the thermocouple wire, within 13 mm (0.5 in.) of the bead, along expected isotherms to minimize conduction errors. Use an insulation between the chromel and alumel wires that is stable to at least 1100°C (2000°F). Ensure that the thermocouple does not disturb the flow pattern around the bidirectional probe.

A2.2 Sampling Line:

A2.2.1 Place the sampling probe in a position where the exhaust duct flow is mixed uniformly. To minimize disturbance of the air flow in the duct, construct the probe with a cylindrical

cross section. Collect the combustion gas samples across the entire diameter of the exhaust duct (see Fig. A2.2).

A2.2.2 Remove the particulates contained in the combustion gases with inert filters, to the degree required by the gas analysis equipment. Conduct the filtering procedure in more than one step. Cool the combustion gas mixture to a maximum of 10°C. The combustion gas samples taken to each analyzer shall be dried completely.

A2.2.3 Transport the combustion gases by a pump. Use a pump that does not allow the gases to contact oil, grease, or similar products, all of which can contaminate the gas mixture. A diaphragm pump (coated with polytetrafluoroethylene) is suitable. Alternative pumps shown to have the same effect are acceptable, but they have often been shown to need frequent replacement.

A2.2.4 Suitable sampling probes are shown in Fig. A2.2 and Fig. A2.3. These sampling probes are of the bar and cross type. Ring-type sampling probes are also acceptable, although they do not collect gas samples across the full diameter of the duct. Turn the intake of the sampling probe downstream to avoid soot clogging the probe.

A2.2.5 A suitable pump has a capacity of 10 to 50 Lmin<sup>-1</sup> at 10 kPa (minimum), as each gas analysis instrument consumes approximately 1 Lmin<sup>-1</sup>. A pressure differential of at least 10 kPa, as generated by the pump, reduces the risk of smoke clogging the filters.

A2.2.6 Install a soot filter, capable of removing all particles >25 μm in size.

A2.2.7 The recommended approach to a cooling column (to remove water from the combustion gases) is to use a refrigerated column and separation chamber with a drain plug from which the collected water is removed from time to time (see Fig. 9). Alternate devices shown to give equivalent results are also acceptable.

A2.2.8 If carbon dioxide is to be removed, use carbon dioxide removal media, as indicated in Fig. 9.

A2.3 Combustion Gas Analysis:

A2.3.1 Oxygen Concentration—Use an oxygen analyzer, meeting the specifications under 6.6.2, preferably of the

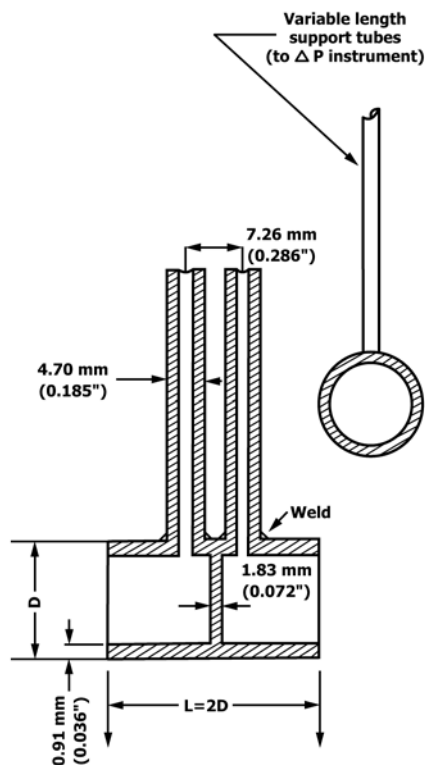


FIG. A2.1 Bidirectional Probe

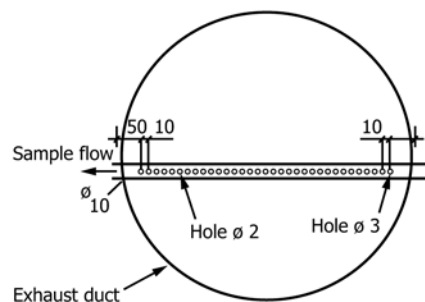


FIG. A2.2 Sampling Probe of the Bar Type

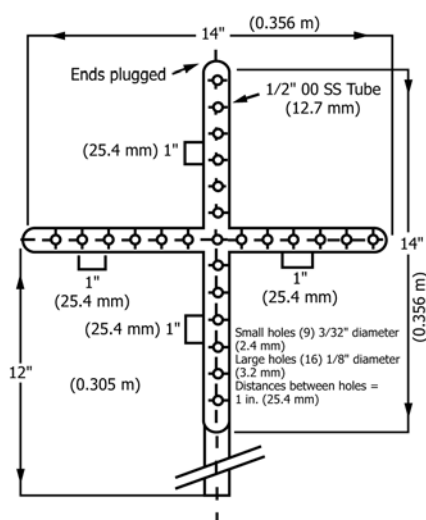
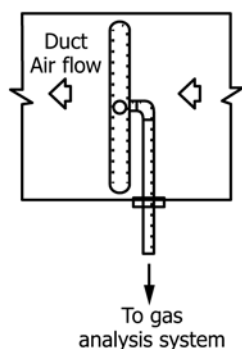


FIG. A2.3 Sampling Probe of the Cross-Shaped Type

paramagnetic type, and including an absolute pressure transducer, to compensate for gas pressure variations. Locate a rotameter on the outlet of the oxygen analyzer (see Fig. 9).

A2.3.2 *Carbon Monoxide and Dioxide Concentration*—Analyzers found suitable are nondispersive infrared analyzers. See Guide E800 for further guidance.

A2.3.3 *Other Combustion Gases*—Use Guide E800 for details of suitable analyzers when the concentrations of other combustion gases, such as water, total hydrocarbon, nitrogen oxide, hydrogen cyanide, or hydrogen chloride, are to be measured, for special purposes.

A2.3.4 *Time Shift*—Combustion gas concentration measurements require the use of appropriate time shifts in order to account for the time required for gas analyzer response and for combustion gas transit time within the sampling system. For each gas analyzer used, determine the system delay time for the analyzer to reach a 90 % response to a step change in the gas concentration.

## A2.4 Smoke Obscuration:

### A2.4.1 White Light System:

A2.4.1.1 One suitable light measuring system based on white light has the following components: a lamp, plano convex lenses, an aperture, a photocell, and an appropriate power supply. Mount the lenses, lamp, and photocell inside two housings, located on the exhaust duct, diametrically opposite each other. It has been found that in some cases a system consisting solely of a white light and a photocell, along the exhaust duct, across from each other and at an angle to the vertical, is satisfactory.

A2.4.1.2 Use a lamp of the incandescent filament type, which operates at a color temperature of  $2900 \pm 100^\circ\text{K}$ . Supply the lamp with stabilized direct current, stable within  $\pm 0.2\%$  (including temperature and short- and long-term stability). Center the resultant light beam on the photocell. See A2.4.1.6 for an example of a system that has been found suitable.

A2.4.1.3 Select the lens system such that the lens  $L_2$ , according to Fig. 10, has a diameter,  $d$ , chosen with regard to the focal length,  $f$ , of  $L_2$  so that  $d/f \geq 0.04$ . See A2.4.1.6 for an example of a system that has been found suitable.

A2.4.1.4 Place the aperture in the focus of lens  $L_2$  in accordance with Fig. 10. See A2.4.1.6 for an example of a system that has been found suitable.

A2.4.1.5 Use a detector with a spectrally distributed response in accordance with the CIE photopic curve and linear within 5 % over an output range of at least 3.5 decades. Check this linearity over the entire range of the instrument periodically, with calibrated optical filters. See A2.4.1.6 for an example of a system that has been found suitable.

A2.4.1.6 The system described as follows is an example of a light measuring system that has been found to be satisfactory: (1) *Lenses*—Plano convex, diameter 40 mm, focal length 50 mm; (2) *Lamp*—Osram Halo Stars, 64410, 6 V, 10 W, or equivalent; (3) *Photocell*—United Detector Technology, PIN 10 AP, or equivalent; and (4) *Voltage Supply*—Gresham Lion Ltd, Model G x 012, or equivalent.

A2.4.1.7 Design a system that is purged easily against soot deposits. The use of holes in the periphery of the two housings is a means of achieving this objective.

A2.4.2 *Laser System*—An acceptable alternate system for measurements of smoke obscuration uses a helium-neon laser, and silicon photodiodes as main beam and reference detectors, respectively, and appropriate electronics to derive an extinction coefficient, and to set a zero reading. The system is designed for split yoke mounting in two pieces that are rigidly coupled together, but resiliently attached to the exhaust duct by means of refractory gasketing. The assembly will project an 0.5 to 2.0 mW helium-neon laser beam horizontally across the exhaust duct (see Fig. 11).

### A3. CONSIDERATIONS FOR HEAT RELEASE MEASUREMENTS

#### A3.1 *Measurement of Rate of Heat Release by Oxygen Consumption:*

A3.1.1 *Introduction*—In 1917, Thornton (6) showed that for a large number of organic fuels, a more or less constant net amount of heat is released per unit of oxygen consumed for complete combustion. Huggett (7) obtained an average value for this constant of 13.1 MJ/kg of O<sub>2</sub>. This value may be used for practical applications and is accurate, with very few exceptions, to within ± 5 %.

A3.1.2 Thornton's rule indicates that it is sufficient to measure the oxygen consumed in a combustion system in order to determine the net heat released. This is particularly useful for full-scale fire test applications. For example, for compartment fires, the oxygen consumption technique is much more accurate and easier to implement than methods based on measuring all of the terms in a heat balance of the compartment.

A3.1.3 Perhaps the first application of the oxygen consumption principle in fire research was by Parker (8), using Test Method E84 (the tunnel test). Sensenig applied it later to an intermediate scale room test (9). During the late 1970s and early 1980s, the O<sub>2</sub> consumption technique was refined at the National Institute for Standards and Technology (NIST, formerly National Bureau of Standards). A paper by Parker (10) provides equations for calculating the rate of heat release by oxygen consumption for various applications. The technique is now used extensively in many laboratories all over the world, both in bench-scale (11) and full-scale (12) fire-test applications, including test methods such as Test Method E2257, NFPA 265, NFPA 286 and ISO 9705.

A3.1.4 The objective of this section is to provide a comprehensive set of equations and guidelines for determining the rate of heat release in full-scale fire tests based on the O<sub>2</sub> consumption principle. The approach followed here is somewhat different from that of Parker (10), as the emphasis is on full-scale fire-test applications, and the use of volumetric flow rates is avoided. Volumetric flow rates require the specification of temperature and pressure. Various investigators have used different combinations of reference pressure and temperature. This leads to confusion, which is greatly minimized if mass flow rates are used.

A3.1.5 The basic requirement is that all combustion products be collected in a hood and removed through an exhaust duct. At a distance downstream of the hood sufficient for adequate mixing, both the flow rate and composition of the combustion gases are measured. It is assumed here that it is not possible to measure the air flow rate into the system, as this is generally the case for full-scale fire tests. The differences in treatment and equations to be used are due mainly to the extent to which combustion gas analysis is made. Oxygen shall be measured in all cases. However, heat release rate measurements will be more accurate by measuring CO<sub>2</sub> and CO additionally.

A3.1.6 It must be emphasized that the analysis is approximate. The following list describes the main simplifying assumptions made:

A3.1.6.1 The amount of energy released by complete combustion per unit of oxygen consumed is taken as  $E = 13.1$  MJ/kg of O<sub>2</sub>.

A3.1.6.2 All combustion gases are considered to behave as ideal gases. In other words, one mole of any gas is assumed to occupy a constant volume at the same pressure and temperature.

A3.1.6.3 Incoming air consists of O<sub>2</sub>, CO<sub>2</sub>, H<sub>2</sub>O, and N<sub>2</sub>. Concentrations of all inert gases, which do not take part in the combustion reactions, are included with that of the nitrogen.

A3.1.6.4 The O<sub>2</sub>, CO<sub>2</sub>, and CO are measured on a dry basis. In other words, water vapor is removed from the sample before combustion gas analysis measurements are made.

A3.1.7 In the analysis to follow, initial emphasis will be placed on the flow rate measurement. Equations for calculating flow rate are applicable, unless otherwise indicated, regardless of the configuration of the combustion gas analysis system. Distinction is made in subsequent sections between various combustion gas analyzer combinations.

#### A3.2 *Flow Measurements:*

A3.2.1 Two techniques are most often used to measure mass flow rate in the exhaust duct of full-scale fire tests.

A3.2.2 The first technique measures mass flow rate by means of the pressure drop across, and temperature at, an orifice plate (Eq A4.1). If the test is conducted within a narrow range of conditions, the orifice-plate coefficient,  $C$ , is approximately constant. Determine the value of the orifice-plate coefficient using a gas burner calibration or an alternative method that provides equivalent results. However, if flow rates are varied during a test or temperature changes are considerable, the effect on  $C$  of the Reynolds number and pressure at the downstream side of the orifice plate must be taken into account. Information on such corrections and various design options (for example, the location of the pressure taps) can be found in Ref (13).

A3.2.3 The second technique is to measure velocity at one point in the duct, usually along the center line. The flow rate is then calculated using a predetermined shape of the velocity profile in the duct. The latter is obtained by measuring velocity at a sufficient number of representative points over the diameter or cross section of the duct prior to any fire tests. Detailed procedures for obtaining this profile are described in Ref (14). Conditions in full-scale fire tests are usually such that the flow in the duct is turbulent, resulting in a shape factor  $k_o$  (= ratio of the average velocity to the velocity along the centerline) close to 1.

A3.2.4 Due to considerable soot production in many fires, pitot static tubes cannot be used because of the potential for clogging of the holes. In order to deal with this problem, a more robust bidirectional probe was designed by McCaffrey

and Heskestad (15). This involves measuring the differential pressure across the probe and the centerline velocity (Eq A4.2) and is valid in the range of Reynolds numbers, Re:

$$40 < \text{Re} < 3800 \quad (\text{A3.1})$$

In many full-scale fire test applications, duct diameter and flow rate are such that the Reynolds number is as follows:

$$\text{Re} > 3800 \quad (\text{A3.2})$$

In this case,  $f(\text{Re})$  is taken as a constant (1.08), which simplifies the calculations greatly. In the system described, the Reynolds number is usually greater than 3800, so that  $f(\text{Re}) = 1.08$ . Further details of this and of all other calculations discussed in this annex are presented in a paper by Janssens (16). For additional details, see also ISO 9705.

### A3.3 Rate of Heat Release Measurement if Only Oxygen Concentration Measurements are Used for Calculation:

A3.3.1 In this case, all water vapor and  $\text{CO}_2$  are eliminated by the use of appropriate filtering media. This leads to the assumption that the sample combustion gas consists of only  $\text{O}_2$  and  $\text{N}_2$ . This is approximately true, provided that CO production is negligible. Since the composition of the incoming air is unlikely to change during a test, and since the temperatures in building fires are usually not high enough to generate noticeable amounts of nitrogen oxides by nitrogen fixation, the mole fraction of  $\text{O}_2$  in the air as measured by the analyzer prior to a test is written on the basis of  $\text{O}_2$  and  $\text{N}_2$  exclusively. The mole fraction of  $\text{O}_2$  in the exhaust combustion gases, as measured by the oxygen analyzer, is written in a similar manner. As nitrogen is conserved and does not participate in the combustion reactions, the equations are derived on the basis of its conservation.

A3.3.2 In this case, the rate of heat released (in kW) is calculated as a function of (1) the heat released per unit of oxygen consumed ( $E$ , 13.1 MJ/kg of  $\text{O}_2$ ), (2) the ratio of the molecular weight of oxygen ( $M_1$ , 32.0 kg/kmol) and the molecular weight of the incoming air ( $M_2$ , generally taken as 28.97 kg/kmol), and (3) the mass flow rate of the incoming air (kg/s). The flow rate measured is that of the smoke within the exhaust duct and not that of the incoming air. In order to find a relation between the two, it is necessary to define the oxygen depletion factor, which is the fraction of the incoming air that is fully depleted of its oxygen (Eq A4.4). It has been demonstrated (see the Appendix in Test Method E1354) that the rate of heat release is a function of  $E$ ,  $M_1$ ,  $M_2$ , and the oxygen depletion factor, plus the expansion factor.

A3.3.2.1 The expansion factor value must be assigned. Use 1.105, the value for methane, for testing. Other values are 1.084 (for propane), 1.0 (for carbon in dry air), and 1.21 (for hydrogen). Use 1.084 for calibrations made with propane gas.

A3.3.3 The resulting equation, (Eq A4.5), is expected to be accurate to within  $\pm 5\%$ , provided that combustion is complete. In other words, all of the carbon is converted to  $\text{CO}_2$ . Errors will be greater if CO or soot production is considerable or a significant amount of the combustion products is other than  $\text{CO}_2$  and  $\text{H}_2\text{O}$ . It is unlikely that these errors will be of concern for a single mattress test specimen.

A3.4 Rate of Heat Release Measurement if Oxygen and Carbon Dioxide Concentration Measurements are Used for Calculation—This case is similar to that covered in the former selection. It is now assumed that only water vapor is trapped before the sample reaches the combustion gas analyzers. Again, the equations are derived on the basis of nitrogen conservation. The mole fraction of  $\text{CO}_2$  in the incoming air is taken to be 330 ppm. A new equation is now required for the oxygen depletion factor: Eq A4.7. Again, the equation for rate of heat release (Eq A4.5) is accurate to within  $\pm 5\%$ , provided that combustion is complete. In other words, all of the carbon is converted to  $\text{CO}_2$ .

A3.5 Rate of Heat Release Measurement if Oxygen, Carbon Dioxide, and Carbon Monoxide Concentration Measurements are Used for Calculation—This case reverts to that covered in A3.4 if CO production is negligible. Taking CO into account, however, changes the equations. It means that a new oxygen depletion factor is required (Eq A4.7), as well as a new rate of heat release equation altogether (Eq A4.8).

### A3.6 Calculation of Heat Released by Igniting Fuel:

A3.6.1 Part of the oxygen depletion in the exhaust duct is due to combustion of the ignition source fuel. This part must be subtracted from the total oxygen depletion in order to determine the net rate of heat release of the test specimen.

A3.6.2 For a gas burner, Janssens (16) has derived an equation to take into account this value. This equation is acceptable, but its use is accompanied by some difficulties, such as the delay in the response of the instrumentation in the exhaust duct, the problem of filling of an enclosure, and other experimental difficulties. A simpler alternative way of measuring the net heat released by the test specimen is to subtract the heat release measured in the calibration from the heat obtained in the equations. This heat yields a baseline rate of heat release curve.

### A3.7 Conclusions:

A3.7.1 Depending on the configuration of combustion gas analyzers and the type of flow rate measurement, one of the following procedures shall be used to calculate the rate of heat release:

A3.7.2 Case 1—Only  $\text{O}_2$  concentration measurements are used.

A3.7.2.1 Calculate the mass flow rate of the exhaust combustion gases.

A3.7.2.2 Calculate the oxygen depletion factor.

A3.7.2.3 Calculate the rate of heat release.

A3.7.3 Case 2—Both  $\text{O}_2$  and  $\text{CO}_2$  concentration measurements are used.

A3.7.3.1 Calculate the mass flow rate of the exhaust combustion gases as in A3.7.2.

A3.7.3.2 Calculate the new oxygen depletion factor.

A3.7.3.3 Calculate the new rate of heat release.

A3.7.4 Case 3— $\text{O}_2$ ,  $\text{CO}_2$ , and CO concentration measurements are used.



A3.7.4.1 Calculate the mass flow rate of the exhaust combustion gases as in A3.7.2.

A3.7.4.2 Calculate the new oxygen depletion factor.

A3.7.4.3 Calculate the new rate of heat release.

A3.7.5 If a CO<sub>2</sub> analyzer is used, this eliminates the need for removal of CO<sub>2</sub> from the combustion gas sample. This is mainly of practical importance since the scrubbing agent used to remove CO<sub>2</sub> usually requires careful handling and is rather expensive. If significant amounts of CO are produced (for example, at or beyond flashover in ventilation-controlled room

fires), the accuracy of the rate of heat release measurement is improved if CO is measured.

A3.7.6 The presence of a water vapor analyzer simplifies the analysis and improves accuracy even more. Unfortunately, the implementation of a water vapor analyzer is not straightforward because sampling lines, filters, etc. must be heated to prevent condensation. The use of a water vapor analyzer thus precludes the need to estimate the expansion factor. However, for this test method, the use of water analyzers is not recommended.

#### A4. MEASUREMENT EQUATIONS

A4.1 *Rate of Heat Release*—Symbols are explained in A4.4.

A4.1.1 *Flow Rate:*

A4.1.1.1 Pressure drop measurement (Eq A4.1):

$$\dot{m}_e = C \times \sqrt{\left[\frac{\Delta p}{T_e}\right]} \quad (\text{A4.1})$$

A4.1.1.2 Velocity measurement (Eq A4.2):

$$\dot{m}_e = 26.54 \times \frac{A \times k_c}{f(\text{Re})} \times \sqrt{\left[\frac{\Delta p}{T_e}\right]} \quad (\text{A4.2})$$

If (Eq A4.2) is used, determine  $k_o$  whenever the bidirectional probe or duct is replaced. Do this by correlating the velocity measured by the bidirectional probe with a reference method, such as a pitot-static tube.

A4.1.1.3 The function of the Reynolds number  $f(\text{Re})$  has been described, by McCaffrey and Heskestad (8), as responding to Eq A4.3:

$$\begin{aligned} f(\text{Re}) = & 1.533 - 1.366 \times 10^{-3} \text{Re} \quad (\text{A4.3}) \\ & + 1.688 \times 10^6 \text{Re}^2 - 9.705 \times 10^{11} \text{Re}^3 \\ & + 2.555 \times 10^{-13} \text{Re}^4 - 2.484 \times 10^{-17} \text{Re}^5 \end{aligned}$$

A4.1.1.4 If  $\text{Re} > 3800$ , then  $f(\text{Re}) = 1.08$ .

A4.1.2 *Case 1*—Only O<sub>2</sub> concentration measurements are used. Calculate the rate of heat release in accordance with Eq A4.4:

$$\begin{aligned} \dot{Q}(t) = & E \times 1.10 \times C \sqrt{\left[\frac{\Delta p}{T_e}\right]} \times \left[ \frac{(X_{O_2}^o - X_{O_2})}{1.105 - 1.5 \times X_{O_2}} \right] \times (1 \\ & - X_{H_2O}^o) \quad (\text{A4.4}) \end{aligned}$$

Set the value of E for the test specimen equal to  $13.1 \times 10^3$  kJ/kg unless a more exact value is known for the test material.

A4.1.3 *Case 2*—Only O<sub>2</sub> and CO<sub>2</sub> concentration measurements are used. Calculate the mass flow rate in accordance with Eq A4.1 or Eq A4.2 and the oxygen depletion factor in accordance with Eq A4.5:

$$\phi = \frac{X_{O_2}^o \times [1 - X_{CO_2}] - X_{O_2} \times [1 - X_{CO_2}^o]}{X_{O_2}^o \times [1 - X_{O_2} - X_{CO_2}] - X_{O_2} \times [1 - X_{O_2}^o - X_{CO_2}]} \quad (\text{A4.5})$$

and the rate of heat release in accordance with Eq A4.6:

$$\dot{Q}(t) = E \times \frac{\phi}{1 - \phi(\alpha - 1)} \times \dot{m}_e \times \frac{M_{O_2}}{M_a} \times (1 - X_{H_2O}^o - X_{CO_2}^o) \times X_{O_2}^o \quad (\text{A4.6})$$

A4.1.4 *Case 3*—O<sub>2</sub> and CO<sub>2</sub> and CO concentration measurements are used. Calculate the mass flow rate in accordance with Eq A4.1 or Eq A4.2 and the oxygen depletion factor in accordance with Eq A4.7:

$$\phi = \frac{X_{O_2}^o \times [1 - X_{CO_2} - X_{CO}] - X_{O_2} \times [1 - X_{CO_2}^o]}{X_{O_2}^o \times [1 - X_{O_2} - X_{CO_2} - X_{CO}] - X_{O_2} \times [1 - X_{O_2}^o - X_{CO_2}^o - X_{CO}]} \quad (\text{A4.7})$$

Finally, calculate the rate of heat release in accordance with Eq A4.8:

$$\begin{aligned} \dot{Q}(t) = & \left[ E \times \phi - (E_{CO} - E) \times \frac{1 - \phi}{2} \times \frac{X_{CO}}{X_{O_2}} \right] \times \frac{\dot{m}_e}{1 + \phi(\alpha - 1)} \\ & \times \frac{M_{O_2}}{M_a} \times (1 - X_{H_2O}^o) \times X_{O_2}^o \quad (\text{A4.8}) \end{aligned}$$

A4.2 *Smoke Measurement Equations:*

A4.2.1 Optical density (OD) (Eq A4.9):

$$\text{OD} = \log[I_o/I] \quad (\text{A4.9})$$

A4.2.2 Extinction coefficient ( $k$ ) (Eq A4.10):

$$k = (1/L_p) \times \ln(I_o/I) \quad (\text{A4.10})$$

A4.2.3 The volumetric flow rate is calculated as the product of the mass flow rate and density of air, at the corresponding temperature. Both the volumetric flow and density of air must thus undergo temperature corrections. The volumetric duct flow rate ( $\dot{V}$ ) is adjusted because it is measured in the exhaust duct but required at the temperature near the photodetector, as shown in Eq A4.11:

$$\dot{V}_s = \dot{V}_e \times \left(\frac{T_s}{T_e}\right) \quad (\text{A4.11})$$

A4.2.4 The density of air is adjusted between the literature value, measured at 273.15 K, and the value at the temperature in the exhaust duct, as shown in Eq A4.12:

$$\rho = \rho_o \times \frac{273.15}{T_e} \quad (\text{A4.12})$$

A4.2.5 Then, the final equation for the volumetric flow rate is Eq A4.13:

$$\dot{V}_s = \frac{\dot{m}_e}{\rho_o} \times \frac{T_e}{273.15} \quad (\text{A4.13})$$

A4.2.6 The rate of smoke release (RSR) is defined by Eq A4.14:

$$\text{RSR} = [\dot{V}_s \times k] \quad (\text{A4.14})$$

A4.2.7 The total smoke released (TSR) is defined by Eq A4.15:

$$\text{TSR} = \int \text{RSR} dt \quad (\text{A4.15})$$

#### A4.3 Gas Yield Measurement Calculations:

A4.3.1 Calculate the gas yields ( $f$ ) using the following equation:

$$f_x = \int \frac{\text{mass flow rate of gas}_x dt}{\text{mass loss of test specimen}} \quad (\text{A4.16})$$

A4.3.2 The numerator in this equation is calculated by adding the product of the fraction of combustion gas by the total mass flow rate, measured at each scan, multiplying it by the total time period involved, and dividing by the number of scans, as shown in Eq A4.17:

$$f_x = \frac{(\sum_i ([x]_i \times \dot{m}_{e(i)} \times \Delta t_i)) \times 0.001 \times \frac{M_x}{M_a}}{\text{mass loss of test specimen}} \quad (\text{A4.17})$$

A4.3.3 In Eq A4.17,  $[x]$ , the concentration of gas  $x$ , is expressed in ppm;  $\dot{m}_e$ , the mass flow rate, calculated by Eq A4.1 or Eq A4.2, is expressed in kg/s;  $M_x$  is the molecular weight of gas species  $x$ ;  $M_a$  is the molecular weight of exhaust air (29 kg/kmol);  $\Delta t$  is the scan period and mass loss of specimen is the mass lost over the period over which the gas yield is calculated and is expressed in g, with 0.001 a conversion factor, to account for the unit changes.

A4.3.4 Report gas concentrations on a dry gas basis, unless water concentrations are being measured.

#### A4.4 Symbols:

$A$  = cross-sectional area of duct,  $\text{m}^2$ .  
 $C$  = orifice plate coefficient,  $\text{kg}^{1/2} \text{m}^{1/2} \text{K}^{1/2}$ .  
 $E$  = net heat released for complete combustion, per unit of oxygen consumed (13 100 kJ/kg  $\text{O}_2$ ).  
 $E_o$  = net heat released for complete combustion per unit of oxygen consumed, for CO (17 600 kJ/kg  $\text{O}_2$ ).  
 $f(\text{Re})$  = Reynolds number correction (nondimensional).  
 $f_x$  = yield of gas  $x$ , g/g.  
 $I$  = light intensity for a parallel light beam having traversed a certain length of smoky environment and reaching photodetector (nondimensional).

$I_o$  = light intensity for a beam of parallel light rays, measured in a smoke-free environment, with a detector having the same spectral sensitivity as the human eye and reaching the photodetector (nondimensional).  
 $k$  = extinction coefficient, 1/m.  
 $k_o$  = velocity profile shape factor (nondimensional).  
 $L_p$  = light path length of beam through smoky environment, m.  
 $\dot{m}_e$  = mass flow rate in exhaust duct, kg/s.  
 $\dot{m}_e$  =  $C (\Delta p/T_e)^{1/2}$  (mass flow rate, by measurement of pressure drop, kg/s, in accordance with Eq A4.1).  
 $\dot{m}_e$  =  $(26.54 \times A \times k_o / (f(\text{Re}))) \times (\alpha/T_e)^{1/2}$  (mass flow rate, by measurement of velocity drop, kg/s, in accordance with (Eq A4.2)).  
 $M_a$  = molecular weight of incoming and exhaust air (29 kg/kmol).  
 $M_{CO}$  = molecular weight of carbon monoxide (28 kg/kmol).  
 $M_{CO_2}$  = molecular weight of carbon dioxide (44 kg/kmol).  
 $M_{H_2O}$  = molecular weight of water (18 kg/kmol).  
 $M_{N_2}$  = molecular weight of nitrogen (28 kg/kmol).  
 $M_{O_2}$  = molecular weight of oxygen (32 kg/kmol).  
 $OD$  = optical density (nondimensional).  
 $\Delta P$  = pressure drop across the orifice plate or bidirectional probe (in Pa).  
 $\dot{Q}(t)$  = heat release rate, as a function (in kW).  
 $RSR$  = rate of smoke release,  $\text{m}^2/\text{s}$ .  
 $T_e$  = combustion gas temperature at the orifice plate, K.  
 $T_s$  = combustion gas temperature (near photodetector), K.  
 $TSR$  = total smoke released,  $\text{m}^2$ .  
 $\dot{V}_e$  = volumetric flow rate in exhaust duct (at the measuring location of the mass flow rate),  $\text{m}^3/\text{s}$ .  
 $\dot{V}_s$  = volumetric flow rate at the location of the smoke meter (value adjusted for smoke measurement calculations),  $\text{m}^3/\text{s}$ .  
 $[x]$  = concentration of gas  $x$ , ppm.  
 $X_{CO}$  = measured mole fraction of CO in exhaust flow (nondimensional).  
 $X_{CO_2}$  = measured mole fraction of  $\text{CO}_2$  in exhaust flow (nondimensional).  
 $X_{H_2O}^o$  = measured mole fraction of  $\text{O}_2$  in exhaust flow (nondimensional).  
 $X_{O_2}^o$  = measured mole fraction of  $\text{O}_2$  in incoming air (nondimensional).  
 $\alpha$  = combustion expansion factor (nondimensional; normally a value of 1.105).  
 $\rho$  = density of air at the temperature in exhaust duct,  $\text{kg}/\text{m}^3$ .  
 $\rho_o$  = density of air at 273.15 K (1.293 ( $\text{kg}/\text{m}^3$ )).  
 $\varphi$  = oxygen depletion factor (nondimensional).

**APPENDIXES**
**(Nonmandatory Information)**
**X1. COMMENTARY**

X1.1 *Introduction*—This commentary is provided to give some insight into development of the test method and to describe a rationale for various features used. Further guidance on conducting large scale experiments and on full scale oxygen consumption calorimetry tests can be found in Guide **E603** and Practice **E2067**.

**X1.2 Measurements:**
**X1.2.1 Rate of Heat Release:**

X1.2.1.1 The rate of heat release is one of the most important variables, and may even be the single most important variable, in determining the hazard from a fire (**17-21**). In particular, the rate of heat release is a measure of the intensity of the fire. The rate of heat release and amount of heat released will determine the extent to which other materials, products, or assemblies in the fire compartment will be ignited and spread the fire further. An item that releases heat very rapidly (that is, has a high rate of heat release) is thus more likely to ignite a nearby article than one that has a low rate of heat release. The mass loss rate is usually a direct function of the heat release rate.

X1.2.1.2 It is important to note that the heat released by a product composed of more than one material can often not be predicted from the individual heats released by the individual components. Some recent literature describes heat release by materials (**22, 23**) and the entire issue of heat release rate (**24**).

X1.2.1.3 The rate of heat release can be determined by measuring the oxygen concentration in a fire atmosphere (**25-27**). Oxygen concentration measurement devices, of the paramagnetic type, are now sufficiently precise to measure the small differences in oxygen concentration required for determining the rate of heat release.

X1.2.1.4 Heat release, smoke release, and combustion gas release measurements in the duct, and mass loss measurements, made in rooms of a height of  $2.44 \pm 25$  mm (8 ft), with one horizontal dimension of between 2.41 and 3.69 m and the other horizontal dimension such that the total floor area of the test room lies between 8.7 and 11.4 m<sup>2</sup>, are likely to be equivalent. Similarly, those results will also be equivalent when measured in an open calorimeter.

X1.2.2 *Smoke Obscuration*—The visibility in a fire atmosphere will adversely affect the ability of victims to escape and the ability of fire brigades to fight the fire.

X1.2.2.1 It has been shown that the smoke release measured with a laser beam and with a white light system are equivalent, unless the scanning time is very long (>5 s). This has been determined both with small-scale instruments (**2, 3**) and in full-scale cable tray testing facilities (**4, 5**).

X1.2.2.2 The Beer-Lambert equation that relates the concentration of particles to light beam attenuation is defined for individual wavelengths. Theoretically, a monochromatic light

beam, as from a laser, will thus yield more accurate results than a polychromatic light beam, as from white light.

X1.2.3 *Smoke Toxicity*—The victims of a fire are often overcome by the toxicity of the atmosphere. This is determined by the concentration of smoke (see Terminology **E176**) and the toxicity of its individual components. The overall amount of smoke generated can be measured by means of the mass loss rate, which is equivalent to the rate of smoke generation. In the majority of fires, the single most important individual toxicant in a fire atmosphere is carbon monoxide, which is present in all fires together with carbon dioxide and water (**28, 29**). Some other combustion gases, such as acrolein, hydrogen cyanide, and hydrogen chloride, are also frequently present and thus may also contribute to the toxicity of the fire atmosphere.

**X1.3 Mattresses and Bed Clothing:**

X1.3.1 Fire statistics have shown that a significant proportion of fires begin in mattresses or bed clothing. It is therefore of considerable importance to develop a test procedure that can determine the contribution of individual mattresses to a fire. Initial work was conducted at NIST in the 1970s (**30**). This was followed by the promulgation of CA TB 121, in 1980 that uses, as the ignition source, a set of ten double sheets of newspaper (185 g) placed in a galvanized metal container at the geometric center and beneath the bottom mattress surface.

X1.3.2 A recent study investigated the hazards due to furniture fires and the applicability of a full-scale test similar to that described here for assessing such fire hazard (**31**). Similar studies have also been performed for mattresses and bed clothing systems (**32, 33**). Following this work, the Sleep Products Safety Council sponsored a study at the California Bureau of Home Furnishings and Thermal Insulation that led to the development of CA TB 129 in 1992. The test method described here is a more specific description of the test procedure used for compliance with CA TB 129, but it is generic enough that it can be used for other mattress and bed-clothing systems (**Appendix X3**).

X1.3.3 The CA TB 129 has superseded CA TB 121 to a large extent. However, the latter is still mandatory in California for some high-risk applications, namely, correctional institutions.

X1.3.4 A federal flammability standard also exists that addresses the smoldering ignition of mattress components by cigarettes, namely, CFR Part 1632.

**X1.4 Test Facility:**

X1.4.1 It has been determined that the rate of heat release of upholstered furniture in the standard ASTM room (used in Test Configuration A of this test method, 8 by 12 by 8 ft high), in the room described in CA TB 129 and 133 (used in Test Configuration B of this test method, 10 by 12 by 8 ft high), and in a

furniture calorimeter (such as those described in UL 1056 (withdrawn) and UL 1895 (withdrawn) or in Nordtest Method NT Fire 032) are similar, unless the heat release rate exceeds 600 kW (1). It is of interest that the rate of heat release criteria of CA TB 129 or 133 can be met by using a furniture calorimeter or a room of different dimensions than that specified in the test method. This concept has also been incorporated into Test Method E1537 for real-scale upholstered furniture items.

X1.4.2 It has also been determined that the increase in temperature in the fire room can be represented by the rate of heat release measured in the duct: a rate of heat release of 65 kW is roughly equivalent to an increase in temperature of 111°C (200°F) at a location 25 mm below the ceiling of the room in Configuration B of this test method, directly above the burning item (34).

X1.4.3 Current practice recommends that combustion gas measurements be made in the exhaust collection duct. If the gases are all collected by the exhaust system and are mixed properly, such instrumentation offers the possibility of a largely apparatus-independent measurement.

X1.4.4 The variable that is fully independent of (reasonable) variations in magnitudes such as room size, room geometry, and duct air flow rate is the gas yield. For any gas  $x$ , the yield is computed as shown in Eq A4.15 and Eq A4.16. If the flow rate is constant, the numerator of this equation is simply the product of the mass flow rate and time period. This gas yield is nondimensional.

X1.4.5 In order to obtain gas yields, it is thus necessary to measure mass losses, with a load cell of the burning test specimen, as well as concentrations of the gas species in question.

X1.4.6 An example of the application of gas yields to fire hazard analysis is presented in reference (34).

#### X1.5 *Ignition Source:*

X1.5.1 It has been determined that a square gas burner ignition source, when used at a propane flow rate of 13 L/min, for 80 s, is an adequate (and more reproducible) substitute for the traditional newspaper ignition source formerly used in CA TB 133 (five sheets of newspaper, each formed into a loose wad and covered by a sheet metal and wire mesh box and ignited with a match) (35). The January 1991 version of CA TB 133 thus relegated the newspaper ignition source to a secondary role as a screening test. There has been no work conducted to determine the applicability of that square burner defined under any conditions other than those that mirror the CA TB 133 ignition source.

X1.5.2 It has been shown that the burner defined in this test method, when used at a propane gas flow rate of 12 L/min, for 180 s, is adequate for the ignition of mattresses (33).

X1.5.3 Of course, the gas burner defined can be used at other gas flow rates or for other time periods. However, the range of applicability of such an ignition source has yet to be determined.

## X2. METHOD OF DETERMINING SUITABILITY OF OXYGEN ANALYZERS FOR MAKING HEAT RELEASE MEASUREMENTS

X2.1 *General*—The type of oxygen analyzer best suited for fire gas analysis is of the paramagnetic type. Electrochemical analyzers or analyzers using zirconia sensors have generally been found not to have adequate sensitivity or suitability for this type of work. The normal range of the instrument to be used is 0 to 25 vol % oxygen. The linearity of paramagnetic analyzers is normally better than can be checked by a user laboratory, thus, verifying their linearity is not necessary. It is important, however, to confirm the noise and short-term drift of the instrument used.

### X2.2 *Procedure:*

X2.2.1 Connect two gas bottles having different levels of oxygen approximately two percentage points apart (for example, 15 and 17 vol %, or normal, clean, dry air, and 19 vol %) to a selector valve at the inlet of the analyzer.

X2.2.2 Connect the electrical power and let the analyzer warm up for up to 24 h with one of the test gases from X2.2.1 flowing through it.

X2.2.3 Connect a data acquisition system to the output of the analyzer. Quickly switch from the first gas bottle to the second bottle and immediately start collecting data, taking one data point per second. Collect data for 20 min.

X2.2.4 Determine the drift by using a least-squares analysis fitting procedure to pass a straight line through the last 19 min of data. Extrapolate the line back through the first minute of data. The difference between the readings at 1 min and at 20 min on the fitted straight line represents the short-term drift. Record the drift in units of parts per million of oxygen.

X2.2.5 The noise is represented by the root-mean-square deviation around the fitted straight line. Calculate that root-mean-square value and record it in units of parts per million of oxygen.

X2.2.6 The analyzer is suitable for use in heat release measurements if the sum of the drift plus the noise terms is  $\leq 50$  ppm oxygen (note that both terms shall be expressed as positive numbers).

X2.3 *Additional Precautions*—A paramagnetic oxygen analyzer is directly sensitive to barometric pressure changes at its outlet port and to flow rate fluctuations in the sample supply stream. It is essential that the flow rate be regulated. Use either a flow rate regulator of the mechanical diaphragm type, or an electronic mass flow rate controller. In order to protect against errors due to changes in barometric pressure, one of the following procedures should be used: (1) control the back pressure to the analyzer with a back pressure regulator of the



absolute-pressure type, or (2) measure the actual pressure electrically at the detector element and provide a signal

correction for the analyzer output.

### **X3. SMALL-SCALE SCREENING OF MATERIALS**

X3.1 Studies on the flammability performance of mattresses indicate that bench-scale fire tests are useful for preliminary evaluations of component materials for substitution purposes.

X3.2 An adequate procedure is as follows:

X3.2.1 Conduct a full-scale fire test on the original mattress or bed-clothing system.

X3.2.2 If the original mattress complies with the requirements of the full-scale test method, conduct bench-scale test(s) on a combination of the component materials of the original mattress.

X3.2.3 Conduct bench-scale test(s) on the substitute component materials.

X3.2.4 Compare the peak heat release and total heat release of the two bench-scale tests. If the corresponding values of the substitute materials are below those of the original mattress, a mattress made of the substitute components is expected to be in compliance with the full-scale test method.

X3.2.5 If the substitute component materials produce higher heat release values than those of the original mattress, the necessity for validating the results with full-scale tests of the substitute mattress is indicated.

X3.3 For a complete description of the bench-scale test method, see Test Method [E1474](#).

### **X4. TESTING OF MATTRESS AND BED-CLOTHING SYSTEMS**

X4.1 In addition to testing mattresses with foundations, this apparatus and test procedure are adequate for special purposes, for evaluating mattresses and bed-clothing systems, for example:

X4.1.1 A mattress alone,

X4.1.2 A foundation alone,

X4.1.3 A mattress with bed clothing,

X4.1.4 A mattress and foundation with bed clothing, and

X4.1.5 Bed clothing only.

X4.2 The California Bureau of Home Furnishings and Thermal Insulation has used the following items for tests with bed clothing: two sheets, one pillowcase, one acrylic blanket, and one polyester-filled pillow. The sheets and pillowcase used have been either cotton or cotton/polyester ([33](#)).

X4.3 Describe all bed clothing used in detail.

X4.4 The results from tests using bed clothing are not directly comparable to the results of standard tests with a mattress only.

X4.5 When bed clothing alone is tested, use a non-combustible substrate as an inert mattress. Ensure that the inert mattress resembles the dimensions and feel of a typical mattress closely.

X4.6 One example of an inert mattress is that constructed by using fiberglass insulation batts of the desired thickness wrapped in fire barrier-type cover fabric, such as fiberglass interliner material. Precondition the inert mattress to minimize the potential contribution of the binder used in the fiberglass batts. An acceptable conditioning method involves covering the inert mattress with two bed sheets, which are ignited and burned prior to conducting actual tests.

X4.7 When bed-clothing systems are tested, as described in this section, only the mattress and bed-clothing components to be tested shall be in the test room.

**X5. MODIFIED PRECISION STATEMENT**

X5.1 **Table 1**, in Section 13, is calculated from the total of the six laboratories that participated in the 1997 interlaboratory test program. As described in 13.2.1.1 through 13.2.1.4, two of the laboratories used a misaligned burner configuration and one of these laboratories used sand on the thermal barrier under the mattress, instead of gypsum board.

X5.2 **Table X5.1** is a calculation of the precision in which two of the laboratories that deviated from the test standard have been removed.

**TABLE X5.1 Modified Precision Estimates from Interlaboratory Round Robin (Two Laboratories Removed)**

	Ave	$s_r$	$S_R$	# Laboratories
Peak Rate of Heat Release (kW)				
6 mm	177.4	24.1	56.9	4
13 mm	334.7	70.3	110.7	4
19 mm <sup>A</sup>	666.9	261.9	300.9	4
Hospital <sup>B</sup>	225.8	89.0	148.4	4
Total Heat Release @ 10 min (MJ)				
6 mm	36.7	7.8	10.3	4
13 mm	56.2	17.8	19.0	4
19 mm	70.7	17.3	17.4	4
Hospital <sup>B</sup>	21.0	9.4	22.7	4
Time to Peak Rate of Heat Release (s)				
6 mm	174.8	33.9	43.2	4
13 mm	180.8	25.7	68.3	4
19 mm	144.7	52.1	63.0	4
Hospital <sup>C</sup>	795.4	552.2	552.2	4
Total Mass Loss (kg)				
6 mm	1.70	0.11	0.25	4
13 mm	2.40	0.24	0.40	4
19 mm	3.06	0.23	0.48	4
Hospital <sup>D</sup>	3.92	1.49	1.49	4
Total Smoke Release (m <sup>2</sup> )				
6 mm	38.8	21.5	27.6	3
13 mm	68.6	19.2	28.5	3
19 mm	134.7	71.1	71.1	3
Hospital	597.7	184.5	369.4	3
Peak Rate of Smoke Release (m <sup>2</sup> /s)				
6 mm	0.25	0.07	0.12	3
13 mm	0.63	0.31	0.42	3
19 mm	1.83	1.15	1.15	3
Hospital	2.16	0.66	1.41	3
Time to Peak Rate of Smoke Release (s)				
6 mm	220.6	75.1	75.1	4
13 mm	189.6	31.0	60.1	4
19 mm	161.6	46.6	49.5	4
Hospital	784.9	487.3	492.6	4

<sup>A</sup> One of the 19-mm (¾-in.) mattresses reached flashover in one test and had a value over three times higher than any other reading. As the test method states that the test shall be terminated “when flashover appears inevitable” that reading was lowered to the flashover value of 1300 kW.

<sup>B</sup> One lab reported two test results only with the hospital mattress.

<sup>C</sup> Two laboratories reported two test results only with the hospital mattress.

<sup>D</sup> One laboratory reported two test results only with the hospital mattress.

## REFERENCES

- (1) Parker, W. J., Tu, K.-M., Nurbakhsh, S., and Damant, G. H., "Furniture Flammability: An Investigation of the California Technical Bulletin 133 Test, Part III: Full Scale Chair Burns," NISTIR 90-4375, 1990.
- (2) Coaker, A. W., Hirschler, M. M., Shakir, S., and Shoemaker, C. L., "Flammability Testing of New Vinyl Compounds with Low Flammability and Low Smoke Release in Cables," Proc. 39th Int. Wire and Cable Symposium, US Army CECOM, Fort Monmouth, NJ, 1990, pp. 643–654.
- (3) Coaker, A. W., Hirschler, M. M., and Shoemaker, C. L., "Rate of Heat Release Testing for Vinyl Wire and Cable Materials with Reduced Flammability and Smoke: Full Scale Cable Tray Tests and Small Scale Tests," *Fire Safety Journal*, 1992, pp. 19–53.
- (4) Ostman, B., "Comparison of Smoke Release from Building Products," Int. Conf. FIRE: Control the Heat ... Reduce the Hazard, Fire Research Station, London, United Kingdom, Paper 8, October 1988.
- (5) Mikkola, E., (VTT, Finland), First Int. Cone Calorimeter Users' Seminar and Workshop, London, United Kingdom, Jan. 19, 1990.
- (6) Thornton, W., "The Relation of Oxygen to the Heat of Combustion of Organic Compounds," *Philosophical Magazine and Journal of Science*, Vol 33, No. 196, 1917.
- (7) Huggett, C., "Estimation of Rate of Heat Release by Means of Oxygen Consumption Measurements," *Fire and Materials*, Vol 4, 1980, pp. 61–65.
- (8) Parker, W., "An Investigation of the Fire Environment in the ASTM E-84 Tunnel Test," NBS Technical Note 945, Note 1977.
- (9) Sensenig, D., "An Oxygen Consumption Technique for Determining the Contribution of Interior Wall Finishes to Room Fires," NBS Technical Note 1182, Note 1980.
- (10) Parker, W., "Calculations of the Heat Release Rate by Oxygen Consumption for Various Applications," NBSIR 812-2427-1, 1982.
- (11) Babrauskas, V., "Development of the Cone Calorimeter—A Bench-Scale Rate of Heat Release Apparatus Based on Oxygen Consumption," NBSIR 82-2611, 1982.
- (12) Babrauskas, V., Lawson, J., Walton, W., and Twilley, W., "Upholstered Furniture Heat Release Rates Measured with the Furniture Calorimeter," NBSIR 82-2604, 1983.
- (13) "Fluid Meters—Their Theory and Applications," Report of the ASME Committee on Fluid Meters, Ed. H. Bean, 6th ed., ASME, 1971.
- (14) Ower, E., and Pankhurst, R., *The Measurement of Air Flow*, Pergamon Press, 5th ed., 1977, pp. 112–147.
- (15) McCaffrey, B., and Heskestad, G., *Combustion and Flame*, Vol 26, 1976, pp. 125–127.
- (16) Janssens, M. L., "Measuring Rate of Heat Release by Oxygen Consumption," *Fire Technology*, Vol 27, 1991, pp. 234–249.
- (17) Babrauskas, V., Lawson, J., Walton, W., and Twilley, W., "Upholstered Furniture Heat Release Rates Measured with the Furniture Calorimeter," NBSIR 82-2604, 1983.
- (18) Thomas, P. H., "Int. Conf. FIRE: Control the Heat ... Reduce the Hazard," QMC Fire and Materials Centre, London, United Kingdom, Paper 1, October 1988.
- (19) Babrauskas, V., "Int. Conf. FIRE: Control the Heat ... Reduce the Hazard," QMC Fire and Materials Centre, London, United Kingdom, Paper 4, October 1988.
- (20) Babrauskas, V., and Peacock, R. D., "Heat Release Rate, The Single Most Important Variable in Fire Hazard," Fire Retardant Chemicals Association 1990 Fall Technical Meeting, Pontevedra Beach, FL, October 1990.
- (21) Hirschler, M. M., "How to Measure Smoke Obscuration in a Manner Relevant to Fire Hazard Assessment: Use of Heat Release Calorimetry Test Equipment," *Journal of Fire Sciences*, Vol 9, 1991, pp. 183–222.
- (22) Tran, H., "Experimental Data on Wood Materials," *Heat Release in Fires*, Elsevier, London, United Kingdom, Eds. V. Babrauskas and S. J. Grayson, 1992, Chapter 11b, pp. 357–373.
- (23) Hirschler, M. M., "Heat Release from Plastic Materials," *Heat Release in Fires*, Elsevier, London, United Kingdom, Eds. V. Babrauskas and S. J. Grayson, 1992, Chapter 12a, pp. 375–422.
- (24) Babrauskas, V., and Grayson, S. J., Ed. *Heat Release in Fires*, Elsevier, London, United Kingdom, 1992.
- (25) Huggett, C., "Estimation of Rate of Heat Release by Means of Oxygen Consumption Measurements," *Fire and Materials*, Vol 4, 1980, pp. 61–65.
- (26) Parker, W. J., "Calculations of the Heat Release Rate by Oxygen Consumption for Various Applications," NBSIR 82-2427-1, 1982.
- (27) Parker, W. J., "Calculations of the Heat Release Rate by Oxygen Consumption for Various Applications," *Journal of Fire Sciences*, Vol 2, September/October 1984, pp. 380–395.
- (28) Hirschler, M. M., "General Principles of Fire Hazard and the Role of Smoke Toxicity," *Fire and Polymers: Hazards Identification and Prevention*, in Ed. G. L. Nelson, ACS Symposium Series 425, Developed from Symp. at 197th ACS Mtg, Dallas, TX, April 9–14, 1989, Amer. Chem. Soc., Washington, DC, Chapter 28, 1990, pp. 462–478.
- (29) Debanne, S. M., Hirschler, M. M., and Nelson, G. L., "The Importance of Carbon Monoxide in the Toxicity of Fire Atmosphere," San Antonio, TX, *Fire Hazard and Fire Risk Assessment, ASTM STP 1150*, ASTM, Philadelphia, PA, Ed. M. M. Hirschler, pp. 9–23.
- (30) Babrauskas, V., "Combustion of Mattresses Exposed to Flaming Ignition Sources, Part I: Full Scale Tests and Hazard Analysis," NBSIR 77-1290, 1977.
- (31) Quintiere, J. G., "Furniture Flammability: An Investigation of the California Technical Bulletin 133 Test, Part I: Measuring the Hazards of Furniture," NISTIR 90-4360, 1990.
- (32) Damant, G. H., Nurbakhsh, S., and Mikami, J., "Fire Tests of Mattresses for College Dormitories," California Dept. Home Furnishings and Thermal Insulation, June 1991.
- (33) Damant, G. H., and Nurbakhsh, S., "Heat Release Tests of Mattresses and Bedding Systems," *Journal of Fire Sciences*, Vol 10, 1992, pp. 386–410.
- (34) Babrauskas, V., Harris, R. H., Braun, E., Levin, B. C., Paabo, M., and Gann, R. G., "The Role of Bench-Scale Data in Assessing Real-Scale Fire Toxicity," NIST Technical Note No. 1284, NIST, Gaithersburg, MD, 1991.
- (35) Ohlemiller, T. J., and Villa, K., "Furniture Flammability: An Investigation of the California Technical Bulletin 133 Test, Part II: Characterization of the Ignition Source and a Comparable Gas Burner," NISTIR 90-4348, 1990.

**SUMMARY OF CHANGES**

Committee E05 has identified the location of selected changes to this standard since the last issue (E1590-16) that may impact the use of this standard. (Approved March 1, 2017.)

(I) **5.12.6** was added

Committee E05 has identified the location of selected changes to this standard since the last issue (E1590-13) that may impact the use of this standard. (Approved Nov. 15, 2016.)

(I) **10.2.8.4** was added

*ASTM International takes no position respecting the validity of any patent rights asserted in connection with any item mentioned in this standard. Users of this standard are expressly advised that determination of the validity of any such patent rights, and the risk of infringement of such rights, are entirely their own responsibility.*

*This standard is subject to revision at any time by the responsible technical committee and must be reviewed every five years and if not revised, either reapproved or withdrawn. Your comments are invited either for revision of this standard or for additional standards and should be addressed to ASTM International Headquarters. Your comments will receive careful consideration at a meeting of the responsible technical committee, which you may attend. If you feel that your comments have not received a fair hearing you should make your views known to the ASTM Committee on Standards, at the address shown below.*

*This standard is copyrighted by ASTM International, 100 Barr Harbor Drive, PO Box C700, West Conshohocken, PA 19428-2959, United States. Individual reprints (single or multiple copies) of this standard may be obtained by contacting ASTM at the above address or at 610-832-9585 (phone), 610-832-9555 (fax), or [service@astm.org](mailto:service@astm.org) (e-mail); or through the ASTM website ([www.astm.org](http://www.astm.org)). Permission rights to photocopy the standard may also be secured from the Copyright Clearance Center, 222 Rosewood Drive, Danvers, MA 01923, Tel: (978) 646-2600; <http://www.copyright.com/>*