



# Standard Practice for Analysis of Strain Gage Rosette Data<sup>1</sup>

This standard is issued under the fixed designation E1561; the number immediately following the designation indicates the year of original adoption or, in the case of revision, the year of last revision. A number in parentheses indicates the year of last reapproval. A superscript epsilon ( $\epsilon$ ) indicates an editorial change since the last revision or reapproval.

## INTRODUCTION

There can be considerable confusion in interpreting and reporting the results of calculations involving strain gage rosettes, particularly when data are exchanged between different laboratories. Thus, it is necessary that users adopt a common convention for identifying the positions of the gages and for analyzing the data.

### 1. Scope

1.1 The two primary uses of three-element strain gage rosettes are (a) to determine the directions and magnitudes of the principal surface strains and (b) to determine residual stresses. Residual stresses are treated in a separate ASTM standard, Test Method E837. This practice defines a reference axis for each of the two principal types of rosette configurations used and presents equations for data analysis. This is important for consistency in reporting results and for avoiding ambiguity in data analysis—especially when computers are used. There are several possible sets of equations, but the set presented here is perhaps the most common.

### 2. Referenced Documents

2.1 *ASTM Standards:*<sup>2</sup>

E6 Terminology Relating to Methods of Mechanical Testing  
E837 Test Method for Determining Residual Stresses by the Hole-Drilling Strain-Gage Method

### 3. Terminology

3.1 The terms in Terminology E6 apply.

3.2 *Definitions of Terms Specific to This Standard:*

3.2.1 *reference line*—the axis of the *a* gage.

3.3 *Symbols:*

3.3.1 *a, b, c*—the three-strain gages making up the rosette.

3.3.1.1 *Discussion*—For the  $0^\circ - 45^\circ - 90^\circ$  rosette (Fig. 1) the axis of the *b* gage is located  $45^\circ$  counterclockwise from the *a* (reference line) axis and the *c* gage is located  $90^\circ$  counterclockwise from the *a* axis. For the  $0^\circ - 60^\circ - 120^\circ$  rosette (Fig. 2) the axis of the *b* gage is located  $60^\circ$  counterclockwise from the *a* axis and the *c* axis is located  $120^\circ$  counterclockwise from the *a* axis.

3.3.2  $\epsilon_a, \epsilon_b, \epsilon_c$ —the strains measured by gages *a, b, and c*, respectively, positive in tension and negative in compression.

3.3.2.1 *Discussion*—After corrections for thermal effects and transverse sensitivity have been made, the measured strains represent the surface strains at the site of the rosette. It is assumed here that the elastic modulus and thickness of the test specimen are such that mechanical reinforcement by the rosette are negligible. For test objects subjected to unknown combinations of bending and direct (membrane) stresses, the separate bending and membrane stresses can be obtained as shown in 4.4.

3.3.3  $\epsilon'_a, \epsilon'_b, \epsilon'_c$ —reduced membrane strain components (4.4).

3.3.4  $\epsilon''_a, \epsilon''_b, \epsilon''_c$ —reduced bending strain components (4.4).

3.3.5  $\epsilon_1$ —the calculated maximum (more tensile or less compressive) principal strain.

3.3.6  $\epsilon_2$ —the calculated minimum (less tensile or more compressive) principal strain.

3.3.7  $\gamma_M$ —the calculated maximum shear strain.

3.3.8  $\theta_1$ —the angle from the reference line to the direction of  $\epsilon_1$ .

3.3.8.1 *Discussion*—This angle is less than or equal to  $180^\circ$  in magnitude.

3.3.9 *C, R*—values used in the calculations. *C* is the location, along the  $\epsilon$ -axis, of the center of the Mohr's circle for strain and *R* is the radius of that circle.

<sup>1</sup> This practice is under the jurisdiction of ASTM Committee E28 on Mechanical Testing and is the direct responsibility of Subcommittee E28.01 on Calibration of Mechanical Testing Machines and Apparatus.

Current edition approved April 15, 2014. Published August 2014. Originally approved in 1993. Last previous edition approved in 2009 as E1561-93(2009). DOI: 10.1520/E1561-93R14.

<sup>2</sup> For referenced ASTM standards, visit the ASTM website, www.astm.org, or contact ASTM Customer Service at service@astm.org. For *Annual Book of ASTM Standards* volume information, refer to the standard's Document Summary page on the ASTM website.

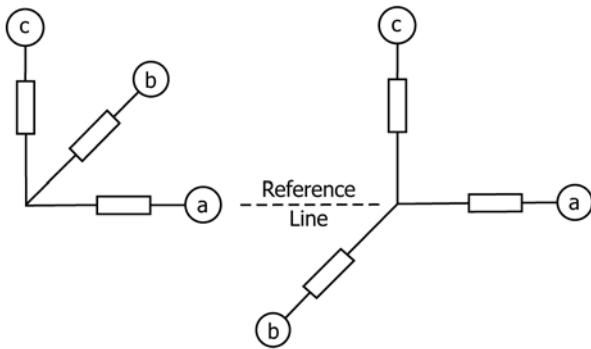


FIG. 1 0° – 45° – 90° Rosette

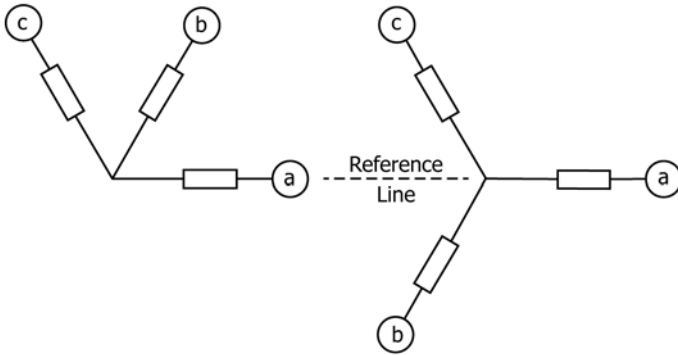


FIG. 2 0° – 60° – 120° Rosette

4. Procedure

4.1 Fig. 3 shows a typical Mohr’s circle of strain for a 0° – 45° – 90° rosette. The calculations when  $\epsilon_a$ ,  $\epsilon_b$ ,  $\epsilon_c$ , are given are:

$$C = \frac{\epsilon_a + \epsilon_c}{2} \tag{1}$$

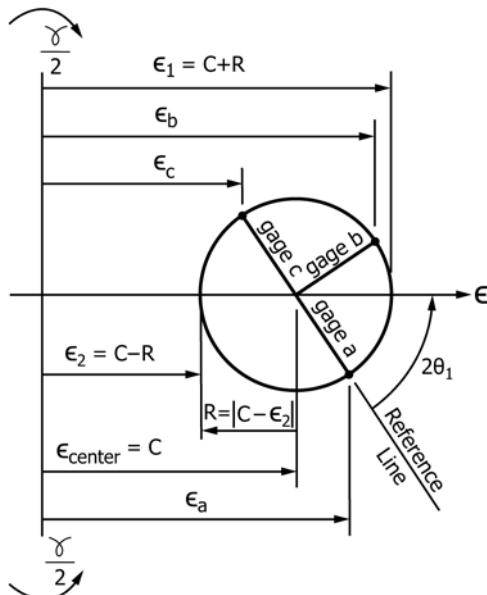


FIG. 3 Typical Mohr’s Circle of Strain for a 0° – 45° – 90° Rosette

$$R = \sqrt{(\epsilon_a - C)^2 + (\epsilon_b - C)^2} \tag{2}$$

$$\epsilon_1 = C + R \tag{3}$$

$$\epsilon_2 = C - R$$

$$\gamma_M = 2R$$

$$\tan 2\theta_1 = 2(\epsilon_b - C) / \epsilon_a - \epsilon_c \tag{4}$$

4.1.1 If  $\epsilon_b < C$ , then the  $\epsilon_I$ -axis is clockwise from the reference line.

4.1.2 If  $\epsilon_b > C$ , then the  $\epsilon_I$ -axis is counterclockwise from the reference line.

4.2 Fig. 7 shows a typical Mohr’s circle of strain for a 0° – 60° – 120° rosette. The calculations when  $\epsilon_a$ ,  $\epsilon_b$ ,  $\epsilon_c$ , are given are:

$$C = \frac{\epsilon_a + \epsilon_b + \epsilon_c}{3} \tag{5}$$

$$R = \sqrt{2/3[(\epsilon_a - C)^2 + (\epsilon_b - C)^2 + (\epsilon_c - C)^2]} \tag{6}$$

$$\epsilon_1 = C + R \tag{7}$$

$$\epsilon_2 = C - R$$

$$\gamma_M = 2R$$

$$\tan 2\theta_1 = \frac{(\epsilon_b - \epsilon_c)}{\sqrt{3}(\epsilon_a - C)} \tag{8}$$

4.2.1 If  $\epsilon_c - \epsilon_b < 0$ , then the  $\epsilon_I$ -axis is counterclockwise from the reference line.

4.2.2 If  $\epsilon_c - \epsilon_b = 0$ , then  $\theta_1 = 0^\circ$ .

4.2.3 If  $\epsilon_c - \epsilon_b > 0$ , then the  $\epsilon_I$ -axis is clockwise from the reference line (see Note 1).

4.3 Identification of the Maximum Principal Strain Direction:

4.3.1 Care must be taken when determining the angle  $\theta_1$  using (Eq 10) or (Eq 14) so that the calculated angle refers to the direction of the maximum principal strain  $\epsilon_I$  rather than the minimum principal strain  $\epsilon_2$ . Fig. 10 shows how the double angle  $2\theta_1$  can be placed in its correct orientation relative to the reference line shown in Fig. 1 and Fig. 2. The terms “numerator” and “denominator” refer to the numerator and denominator of the right-hand sides of (Eq 10) and (Eq 14). When both numerator and denominator are positive, as shown in Fig. 10, the double angle  $2\theta_1$  lies within the range  $0^\circ \leq 2\theta_1 \leq 90^\circ$  counterclockwise of the reference line. Therefore, in this particular case, the corresponding angle  $\theta_1$  lies within the range  $0^\circ \leq \theta_1 \leq 45^\circ$  counterclockwise of the reference line.

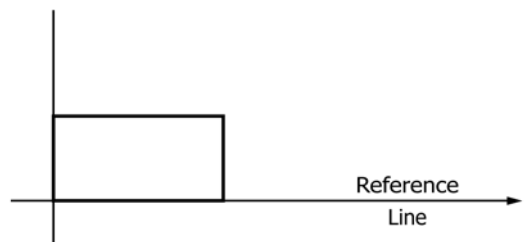


FIG. 4 Differential Element on the Undeformed Surface

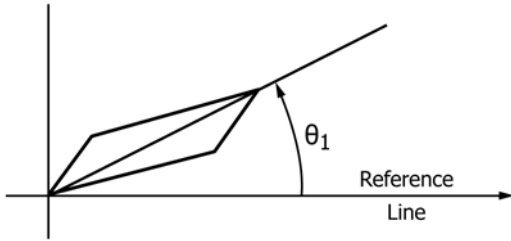


FIG. 5 Deformed Shape of Differential Element

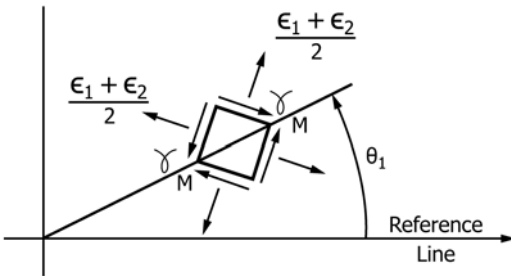


FIG. 6 Planes of Maximum Shear Strain

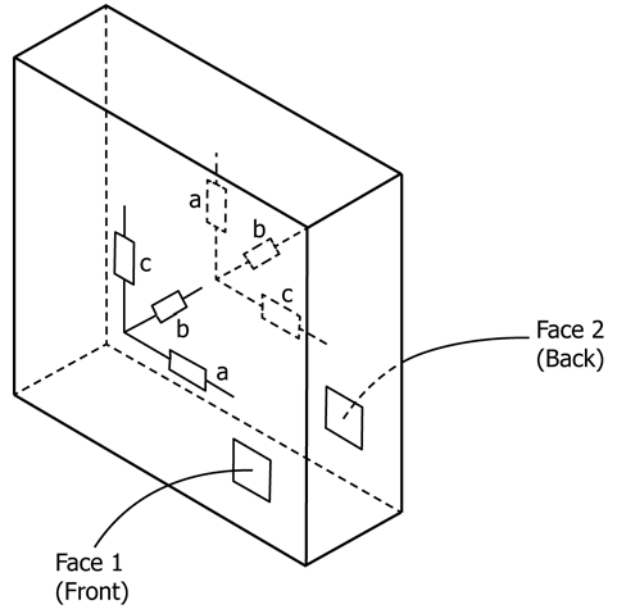


FIG. 8 Gage Labeling for Back-to-Back Rosettes

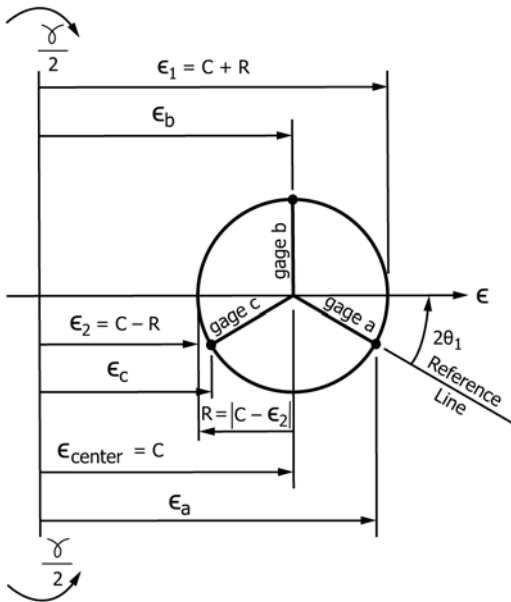


FIG. 7 Typical Mohr's Circle of Strain for a 0° - 60° - 120° Rosette

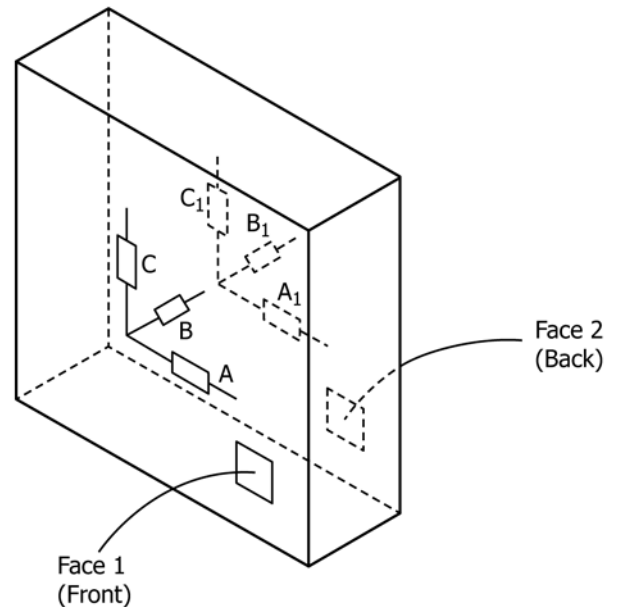


FIG. 9 Gage Labeling for Back-to-Back Rosettes

4.3.2 Several computer languages have arctangent functions that directly place the angle  $2\theta_1$  in its correct orientation in accordance with the scheme illustrated in Fig. 10. When working in Fortran or C, the two-argument arctangent functions ATAN2 or atan2 can be used for evaluating (Eq 10) and (Eq 14).

4.4 Interpretation of Maximum Shear Strain—Ordinarily the sense of the maximum shear strain is not significant when analyzing the behavior of isotropic materials. It can, however, be important for anisotropic materials, such as composites. Mohr's circle for strain can be used for interpretation of the sense of the shear strain. Fig. 3 shows a typical circle for a 0°-45°-90° rosette. A differential element along and perpen-

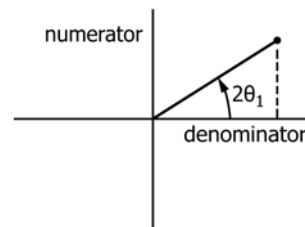


FIG. 10 Correct Placement of the Double Angle  $2\theta_1$

dicular to the reference line is initially as shown in Fig. 4. Its deformed shape, corresponding to the assumed strains, is shown in Fig. 5. The planes of maximum shear strain are at 45° to the  $\theta_1$  direction as in Fig. 6 (see Note 2).

#### 4.5 Back-to-Back Rosettes:

4.5.1 When the loading of a member or structure may introduce bending strains in the surface at the intended site of the rosette, back-to-back rosette installations are commonly employed, as shown in Fig. 8 and Fig. 9, to permit separate determination of the bending and membrane strains.

4.5.2 When rosettes are used on both sides of thin materials, the labeling alternatives are:

4.5.2.1 Label as in Fig. 8, which follows the sign convention of Fig. 1 and Fig. 2 as the observer faces each of the rosettes.

4.5.2.2 Label, for example, the gage on face 1 in the counterclockwise direction and the gage on face 2 in the clockwise direction, both as seen by an observer facing the rosette (see Fig. 9).

4.5.2.3 Labeling (4.5.2.1) requires no sign change in the data reduction equations or in the interpretation of the angles. Results are still interpreted as the observer faces the rosette.

4.5.2.4 Labeling as described in 4.5.2.2, wherein the observer fixes the *a* legs of the rosettes on both sides of the plate or skin to coincide in direction, is particularly convenient for the separation of bending and membrane strains. It also reduces the likelihood of a wiring or computational error which may occur in converting from the labeling in 4.5.2.1 to accomplish the basic purpose of back-to-back rosette installations. The following procedure is limited to test materials which are homogeneous in the thickness direction, or are symmetrically inhomogeneous with respect to the midpoint of the thickness, as in many laminated composite materials.

NOTE 1—The equations in 4.1 and 4.2 are derived from infinitesimal (linear) strain theory. They are very accurate for the low strain levels normally encountered in the stress analysis of typical metal test objects. They start to become detectably inaccurate for strain levels greater than about 1 %. Rosette data reduction for large strains is beyond the scope of this guide.

NOTE 2—The Mohr's circle for strain is constructed in generally the same manner as the Mohr's circle for stress. Normal strains,  $\epsilon$ , are plotted as abscissae-positive for elongation and negative for contraction. One-half the shear strains,  $\gamma/2$ , are plotted as ordinates. If the shear strains on opposite sides of an element of area appear to form a clockwise couple, then  $\gamma/2$  is plotted on the upper half of the axis. Similarly shear strains which appear to form a counterclockwise couple plot on the lower half. With this convention, angular directions on the circle are the same as angular directions on the specimen. See Fig. 3.

4.6 In those cases where the gages are not wired to automatically cancel the bending components of strain within the Wheatstone bridge circuit, the following relationships can be employed with the rosette labeling in Fig. 9 to separately determine the membrane and bending strain components.

4.6.1 For the membrane components of the strain (that is, the through-the-thickness uniform strains, after removing the superimposed bending strains):

$$\epsilon'_a = (\epsilon_A + \epsilon_{A1})/2 \quad (9)$$

$$\epsilon'_b = (\epsilon_B + \epsilon_{B1})/2 \quad (10)$$

$$\epsilon'_c = (\epsilon_C + \epsilon_{C1})/2 \quad (11)$$

4.6.2 For the bending components of strain, at both surfaces of the test object:

$$\epsilon''_a = \pm(\epsilon_A - \epsilon_{A1})/2 \quad (12)$$

$$\epsilon''_b = \pm(\epsilon_B - \epsilon_{B1})/2 \quad (13)$$

$$\epsilon''_c = \pm(\epsilon_C - \epsilon_{C1})/2 \quad (14)$$

where:

$\epsilon'_a, \epsilon'_b, \epsilon'_c$  = reduced membrane strain components in the directions of the three rosette legs when labeled in accordance with Fig. 9.

$\epsilon''_a, \epsilon''_b, \epsilon''_c$  = reduced bending strain components in the directions of the three rosette legs when labeled in accordance with Fig. 9.

4.6.3 The strain terms in (Eq 15) through (Eq 20) with capitalized subscripts represent the measured strains (after customary corrections) from the corresponding rosette legs as shown in Fig. 9.

## 5. Report

5.1 The rosette data analysis may be part of the report on a test program. Report the following information:

- 5.1.1 Description of gages and measuring equipment,
- 5.1.2 Location and orientation of strain gage rosette,
- 5.1.3 Measured strains (corrected), and
- 5.1.4 Calculation of principal strains.

## 6. Keywords

6.1 bending strain; Mohr's circle for strain; rosette; shear strain; strain; strain gages; tensile strain

*ASTM International takes no position respecting the validity of any patent rights asserted in connection with any item mentioned in this standard. Users of this standard are expressly advised that determination of the validity of any such patent rights, and the risk of infringement of such rights, are entirely their own responsibility.*

*This standard is subject to revision at any time by the responsible technical committee and must be reviewed every five years and if not revised, either reapproved or withdrawn. Your comments are invited either for revision of this standard or for additional standards and should be addressed to ASTM International Headquarters. Your comments will receive careful consideration at a meeting of the responsible technical committee, which you may attend. If you feel that your comments have not received a fair hearing you should make your views known to the ASTM Committee on Standards, at the address shown below.*

*This standard is copyrighted by ASTM International, 100 Barr Harbor Drive, PO Box C700, West Conshohocken, PA 19428-2959, United States. Individual reprints (single or multiple copies) of this standard may be obtained by contacting ASTM at the above address or at 610-832-9585 (phone), 610-832-9555 (fax), or service@astm.org (e-mail); or through the ASTM website (www.astm.org). Permission rights to photocopy the standard may also be secured from the Copyright Clearance Center, 222 Rosewood Drive, Danvers, MA 01923, Tel: (978) 646-2600; http://www.copyright.com/*