



# Standard Specification for Pipet, Sahli Hemoglobin<sup>1</sup>

This standard is issued under the fixed designation E1045; the number immediately following the designation indicates the year of original adoption or, in the case of revision, the year of last revision. A number in parentheses indicates the year of last reapproval. A superscript epsilon ( $\epsilon$ ) indicates an editorial change since the last revision or reapproval.

## 1. Scope

1.1 This specification covers reusable pipets calibrated “to contain” 20 cmm of whole blood and used for hemoglobin determinations.

1.2 The values stated in SI units are to be regarded as standard. No other units of measurement are included in this standard.

## 2. Referenced Documents

2.1 *ASTM Standards*:<sup>2</sup>

E920 Specification for Commercially Packaged Laboratory Apparatus

E921 Specification for Export Packaged Laboratory Apparatus

E1133 Practice for Performance Testing of Packaged Laboratory Apparatus for United States Government Procurements

E1157 Specification for Sampling and Testing of Reusable Laboratory Glassware

## 3. Materials

3.1 The pipets shall be made of common spirit bore white back tubing or of clear glass with a white stripe applied to the outer surface of the tubing.

## 4. Design

4.1 *Shape*—Pipets shall be straight and of one-piece construction. Any cross section of a pipet taken in a plane perpendicular to the longitudinal axis should be circular.

4.2 *Delivery Tips*—Delivery tips shall be made with a gradual or concave taper to a length of 10 to 25 mm. The tip end shall be ground and tapered with fine abrasive, or fire-polished. Dimensions of the delivery tip shall be as specified in Fig. 1.

<sup>1</sup> This specification is under the jurisdiction of ASTM Committee E41 on Laboratory Apparatus and is the direct responsibility of Subcommittee E41.01 on Laboratory Ware and Supplies.

Current edition approved Sept. 1, 2016. Published September 2016. Originally approved in 1985. Last previous edition approved in 2010 as E1045 – 00 (2010). DOI: 10.1520/E1045-00R16.

<sup>2</sup> For referenced ASTM standards, visit the ASTM website, www.astm.org, or contact ASTM Customer Service at service@astm.org. For *Annual Book of ASTM Standards* volume information, refer to the standard's Document Summary page on the ASTM website.

4.3 The top of the pipet shall be ground to a taper or formed to a funnel shape according to the dimensions specified in Fig. 1.

## 5. Markings

5.1 *Graduation Line*—The pipet shall have one graduation line located 20 cmm from the pipet tip. The graduation line shall be located on the clear portion of the tubing and shall extend at least two thirds around the pipet and not exceed 0.4 mm in width.

5.2 *Volumetric Designation*—The pipet shall be marked 20CMM on the clear portion of the tubing with the markings located approximately 5 mm above the graduation line.

5.3 *Identification*—Each pipet shall be marked with the manufacturer's name or trademark on the white stripe portion of the pipet. Catalog number markings are optional. All markings shall be permanently fused onto the pipet. The markings shall be amber or black in color. When tested in accordance to 6.3, the pigmentation shall not discolor. The appearance of the markings, when viewed by the eye under normal room lighting, shall be the same before and after testing.

5.4 *Capacity Deviation*—Sahli Hemoglobin pipets are made with maximum capacity deviation of  $\pm 1.0\%$  or  $\pm 2.0\%$ . The selected capacity deviation shall be marked on the clear or white stripe portion of the pipet. The capacity of the pipet shall be within the selected capacity deviation marked on the pipet when tested as specified in 6.2.

## 6. Testing

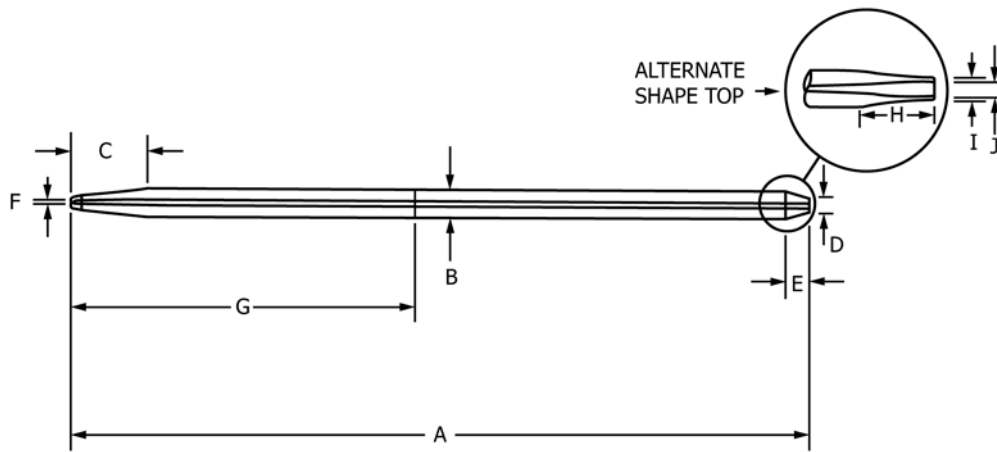
6.1 *Capacity Test*—The capacity of the pipet shall be determined by means of using distilled water and a weighing device with weight sensitivity not less than 0.001 mg.

6.1.1 The pipet shall be thoroughly cleaned, dried, and allowed to adjust to room temperature.

6.1.2 The pipet shall be weighed and the weight recorded.

6.1.3 The pipet shall be filled to the calibration line with distilled water and weighed, and the weight recorded.

6.1.4 The recorded weight of the clean and dry pipet shall be subtracted from the recorded weight of the distilled water-filled pipet providing the observed volumetric capacity ( $V_c$ ) of the pipet in grams.



FEATURE		DIMENSIONS WITH TOLERANCES IN MILLIMETERS
A	OVERALL LENGTH	125 – 135
B	OUTSIDE DIAMETER	4.5 – 5.5
C	TIP TO SHOULDER	10 – 15
D	TAPERED TOP, O.D.	2.0 – 3.0
E	LENGTH OF TAPER	4.0 – 6.0
F	INSIDE DIA. OF TIP	0.2 – 0.4
G	LINE LOCATION	50 – 70
H	LENGTH OF BLOWN TAPER	10 – 15
I	O.D. AT TOP	2.0 – 3.0
J	I.D. AT TOP	1.0 – 2.0

FIG. 1 Pipet, Sahli Hemoglobin

6.1.5 The observed volumetric capacity ( $V_t$ ) shall then be corrected to actual volumetric capacity at 20°C ( $V_c$ ), determined by:

$$V_c = \frac{V_t}{1 + a(t - 20^\circ\text{C})} \quad (1)$$

where:

- $V_t$  = observed volumetric capacity at  $t$  °C, grams,
- $V_c$  = corrected volumetric capacity at 20°C,
- $a$  = coefficient of cubical expansion of pipet glass, = 0.000072/°C – 0.000084/°C (dependent upon source of material), and
- $t$  = temperature recorded during weighing, °C.

6.2 *Capacity Deviation*—The capacity deviation of the pipet is the difference between the stated capacity  $V_1$  and the corrected observed capacity  $V_c$ , and is determined by the following expression:

$$\text{Capacity deviation, \%} = \frac{100(V_c - V_1)}{V_1} \quad (2)$$

6.3 *Pigmentation Test*—Prepare a fresh chromic acid cleaning solution by combining 200 g of solution dichromate ( $\text{Na}_2$

$\text{Cr}_2\text{O}_7 \cdot 2\text{H}_2\text{O}$ ), 1000 mL of water, and 1500 mL of sulfuric acid ( $\text{H}_2\text{SO}_4$ , ACS Reagent—95 to 98 %). Immerse the pipets in the chromic acid solution. Let stand at room temperature (20 to 25°C) for 15 min. Remove the pipets from the solution and thoroughly rinse in distilled water. Dry the pipets by rubbing vigorously, 5 to 10 strokes, with a laboratory cloth or tissue. The appearance of the markings should be the same as before the test, when judged by the eye under normal room lighting.

6.4 *Strain Free Test*—The pipets shall be free from strain when viewed under a polariscope.

## 7. Sampling and Testing

7.1 See Specification E1157.

## 8. Packaging

8.1 Select one from Specifications E920, E921 or Practice E1133.

## 9. Keywords

9.1 disposal; glass; tube; Westergren

*ASTM International takes no position respecting the validity of any patent rights asserted in connection with any item mentioned in this standard. Users of this standard are expressly advised that determination of the validity of any such patent rights, and the risk of infringement of such rights, are entirely their own responsibility.*

*This standard is subject to revision at any time by the responsible technical committee and must be reviewed every five years and if not revised, either reapproved or withdrawn. Your comments are invited either for revision of this standard or for additional standards and should be addressed to ASTM International Headquarters. Your comments will receive careful consideration at a meeting of the responsible technical committee, which you may attend. If you feel that your comments have not received a fair hearing you should make your views known to the ASTM Committee on Standards, at the address shown below.*

*This standard is copyrighted by ASTM International, 100 Barr Harbor Drive, PO Box C700, West Conshohocken, PA 19428-2959, United States. Individual reprints (single or multiple copies) of this standard may be obtained by contacting ASTM at the above address or at 610-832-9585 (phone), 610-832-9555 (fax), or [service@astm.org](mailto:service@astm.org) (e-mail); or through the ASTM website ([www.astm.org](http://www.astm.org)). Permission rights to photocopy the standard may also be secured from the Copyright Clearance Center, 222 Rosewood Drive, Danvers, MA 01923, Tel: (978) 646-2600; <http://www.copyright.com/>*