



## Standard Test Method for Flash and Fire Points by Cleveland Open Cup Tester<sup>1</sup>

This standard is issued under the fixed designation D92; the number immediately following the designation indicates the year of original adoption or, in the case of revision, the year of last revision. A number in parentheses indicates the year of last reapproval. A superscript epsilon ( $\epsilon$ ) indicates an editorial change since the last revision or reapproval.

*This standard has been approved for use by agencies of the U.S. Department of Defense.*

### INTRODUCTION

This flash point and fire point test method is a dynamic method and depends on definite rates of temperature increases to control the precision of the test method. Its primary use is for viscous materials having flash point of 79 °C (175 °F) and above. It is also used to determine fire point, which is a temperature above the flash point, at which the test specimen will support combustion for a minimum of 5 s. Do not confuse this test method with Test Method D4206, which is a sustained burning test, open cup type, at a specific temperature of 49 °C (120 °F).

Flash point values are a function of the apparatus design, the condition of the apparatus used, and the operational procedure carried out. Flash point can therefore only be defined in terms of a standard test method, and no general valid correlation can be guaranteed between results obtained by different test methods, or with test apparatus different from that specified.

### 1. Scope\*

1.1 This test method describes the determination of the flash point and fire point of petroleum products by a manual Cleveland open cup apparatus or an automated Cleveland open cup apparatus.

NOTE 1—The precisions for fire point were not determined in the current interlaboratory program. Fire point is a parameter that is not commonly specified, although in some cases, knowledge of this flammability temperature may be desired.

1.2 This test method is applicable to all petroleum products with flash points above 79 °C (175 °F) and below 400 °C (752 °F) except fuel oils.

NOTE 2—This test method may occasionally be specified for the determination of the fire point of a fuel oil. For the determination of the flash points of fuel oils, use Test Method D93. Test Method D93 should also be used when it is desired to determine the possible presence of small

<sup>1</sup> This test method is under the joint jurisdiction of ASTM Committee D02 on Petroleum Products, Liquid Fuels, and Lubricants and is the direct responsibility of Subcommittee D02.08 on Volatility. In the IP, this test method is under the jurisdiction of the Standardization Committee. This test method was adopted as a joint ASTM-IP standard in 1965.

Current edition approved Dec. 1, 2016. Published February 2017. Originally approved in 1921. Last previous edition approved in 2016 as D92 – 16a. DOI: 10.1520/D0092-16B.

but significant concentrations of lower flash point substances that may escape detection by Test Method D92. Test Method D1310 can be employed if the flash point is known to be below 79 °C (175 °F).

1.3 The values stated in SI units are to be regarded as the standard.

1.3.1 *Exception*—The values given in parentheses are for information only.

1.4 **WARNING**—Mercury has been designated by many regulatory agencies as a hazardous material that can cause central nervous system, kidney and liver damage. Mercury, or its vapor, may be hazardous to health and corrosive to materials. Caution should be taken when handling mercury and mercury containing products. See the applicable product Material Safety Data Sheet (MSDS) for details and EPA's website—<http://www.epa.gov/mercury/faq.htm>—for additional information. Users should be aware that selling mercury and/or mercury containing products in your state or country may be prohibited by law.

1.5 *This standard does not purport to address all of the safety concerns, if any, associated with its use. It is the responsibility of the user of this standard to establish appropriate safety and health practices and determine the applicability of regulatory limitations prior to use.* For specific warning statements, see 6.4, 7.1, 11.1.3, and 11.2.4.

\*A Summary of Changes section appears at the end of this standard

## 2. Referenced Documents

### 2.1 ASTM Standards:<sup>2</sup>

**D93** Test Methods for Flash Point by Pensky-Martens Closed Cup Tester

**D140** Practice for Sampling Bituminous Materials

**D1310** Test Method for Flash Point and Fire Point of Liquids by Tag Open-Cup Apparatus

**D4057** Practice for Manual Sampling of Petroleum and Petroleum Products

**D4177** Practice for Automatic Sampling of Petroleum and Petroleum Products

**D4206** Test Method for Sustained Burning of Liquid Mixtures Using the Small Scale Open-Cup Apparatus

**E1** Specification for ASTM Liquid-in-Glass Thermometers

**E300** Practice for Sampling Industrial Chemicals

### 2.2 Energy Institute Standard:<sup>3</sup>

**Specifications for IP Standard Thermometers**

### 2.3 ISO Standards:<sup>4</sup>

**Guide 34** General requirements for the competence of reference material producers

**Guide 35** Reference materials—General and statistical principles for certification

## 3. Terminology

### 3.1 Definitions:

3.1.1 *dynamic, adj*—in petroleum products, the condition where the vapor above the test specimen and the test specimen are not in temperature equilibrium at the time that the ignition source is applied.

3.1.1.1 *Discussion*—This is primarily caused by the heating of the test specimen at the constant prescribed rate with the vapor temperature lagging behind the test specimen temperature.

3.1.2 *fire point, n*—in flash point test methods, the lowest temperature of the test specimen, adjusted to account for variations in atmospheric pressure from 101.3 kPa, at which application of an ignition source causes the vapors of the test specimen to ignite and sustain burning for a minimum of 5 s under specified conditions of test.

3.1.3 *flash point, n*—in flash point test methods, the lowest temperature of the test specimen, adjusted to account for variations in atmospheric pressure from 101.3 kPa, at which application of an ignition source causes the vapors of the test specimen to ignite under specified conditions of test.

<sup>2</sup> For referenced ASTM standards, visit the ASTM website, [www.astm.org](http://www.astm.org), or contact ASTM Customer Service at [service@astm.org](mailto:service@astm.org). For *Annual Book of ASTM Standards* volume information, refer to the standard's Document Summary page on the ASTM website.

<sup>3</sup> Available from Energy Institute, 61 New Cavendish St., London, W1G 7AR, U.K., <http://www.energyinst.org>.

<sup>4</sup> Available from American National Standards Institute (ANSI), 25 W. 43rd St., 4th Floor, New York, NY 10036, <http://www.ansi.org>.

## 4. Summary of Test Method

4.1 Approximately 70 mL of test specimen is filled into a test cup. The temperature of the test specimen is increased rapidly at first and then at a slower constant rate as the flash point is approached. At specified intervals, a test flame is passed across the cup. The flash point is the lowest liquid temperature at which application of the test flame causes the vapors of the test specimen of the sample to ignite. To determine the fire point, the test is continued until the application of the test flame causes the test specimen to ignite and sustain burning for a minimum of 5 s.

## 5. Significance and Use

5.1 The flash point is one measure of the tendency of the test specimen to form a flammable mixture with air under controlled laboratory conditions. It is only one of a number of properties that should be considered in assessing the overall flammability hazard of a material.

5.2 Flash point is used in shipping and safety regulations to define flammable and combustible materials. Consult the particular regulation involved for precise definitions of these classifications.

5.3 Flash point can indicate the possible presence of highly volatile and flammable materials in a relatively nonvolatile or nonflammable material. For example, an abnormally low flash point on a test specimen of engine oil can indicate gasoline contamination.

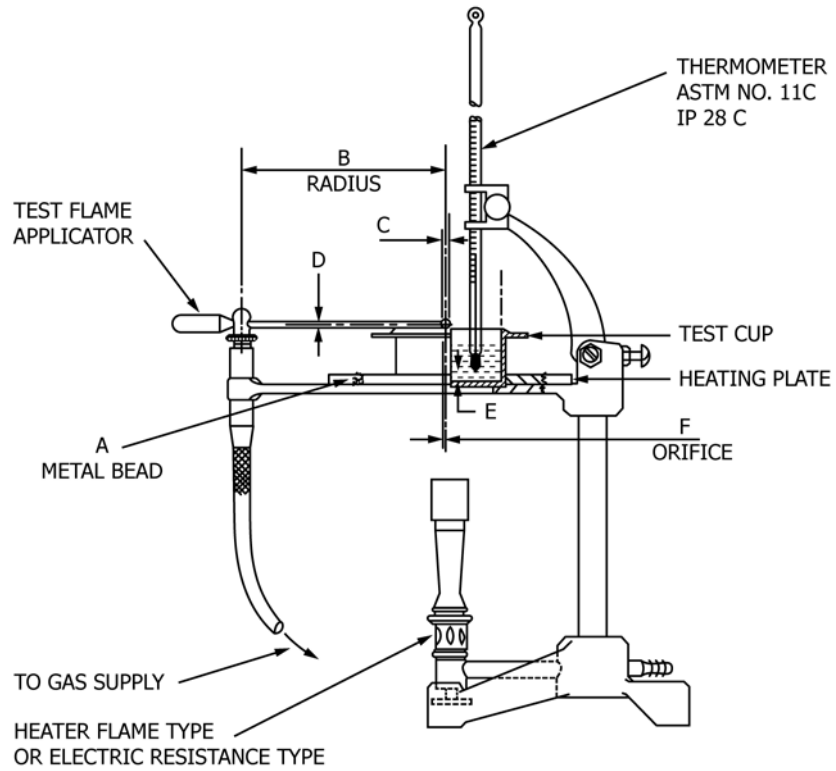
5.4 This test method shall be used to measure and describe the properties of materials, products, or assemblies in response to heat and a test flame under controlled laboratory conditions and shall not be used to describe or appraise the fire hazard or fire risk of materials, products, or assemblies under actual fire conditions. However, results of this test method may be used as elements of a fire risk assessment that takes into account all of the factors that are pertinent to an assessment of the fire hazard of a particular end use.

5.5 The fire point is one measure of the tendency of the test specimen to support combustion.

## 6. Apparatus

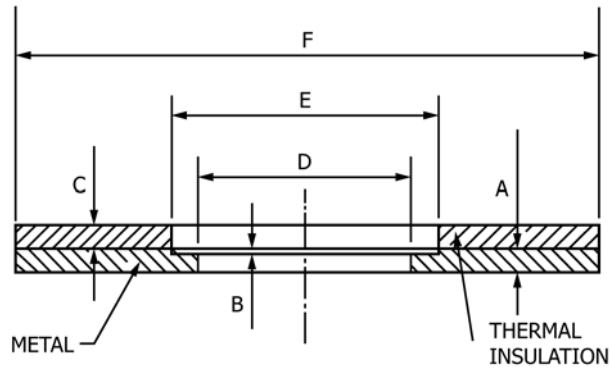
6.1 *Cleveland Open Cup Apparatus (manual)*—This apparatus consists of the test cup, heating plate, test flame applicator, heater, and supports described in detail in the **Annex A1**. The assembled manual apparatus, heating plate, and cup are illustrated in **Figs. 1-3**, respectively. Dimensions are listed with the figures.

6.2 *Cleveland Open Cup Apparatus (automated)*—This apparatus is an automated flash point instrument that shall perform the test in accordance with Section **11** Procedure. The apparatus shall use the test cup with the dimensions as described in **Annex A1** and the application of the test flame shall be as described in **Annex A1**.



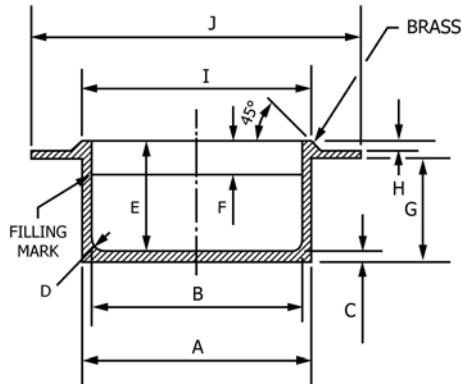
	millimetres		inches	
	min	max	min	max
A—Diameter	3.2	4.8	0.126	0.189
B—Radius	152	nominal	6	nominal
C—Diameter	1.6	nominal	0.063	nominal
D		2		0.078
E	6	7	0.236	0.276
F—Diameter	0.8	nominal	0.031	nominal

FIG. 1 Cleveland Open Cup Apparatus



	millimetres		inches	
	min	max	min	max
A	6	7	0.236	0.276
B	0.5	1.0	0.020	0.039
C	6	7	0.236	0.276
D—Diameter	55	56	2.165	2.205
E—Diameter	69.5	70.5	2.736	2.776
F—Diameter	146	159	5.748	6.260

FIG. 2 Heating Plate



	millimetres		inches	
	min	max	min	max
A	67.5	69	2.658	2.717
B	63	64	2.480	2.520
C	2.8	3.5	0.110	0.138
D—Radius	4	nominal	0.157	nominal
E	32.5	34	1.280	1.339
F	9	10	0.354	0.394
G	31	32.5	1.221	1.280
H	2.8	3.5	0.110	0.138
I	67	70	2.638	2.756
J	97	100	3.819	3.937

FIG. 3 Cleveland Open Cup

6.3 *Temperature Measuring Device*—A thermometer having the range as shown below and conforming to the requirements prescribed in Specification E1 or in the Specifications for IP Standard Thermometers, or an electronic temperature measuring device, such as a resistance thermometer or thermocouple. The device shall exhibit the same temperature response as the mercury thermometers.

Temperature Range	Thermometer Number
-6 °C to +400 °C	ASTM IP
20 °F to 760 °F	11C 28C
	11F

6.4 *Test Flame*—Natural gas (methane) flame and bottled gas (butane, propane) flame have been found acceptable for use as the ignition source. The gas flame device is described in

detail in [Annex A1](#). (**Warning**—Gas pressure supplied to the apparatus must not be allowed to exceed 3 kPa (12 in.) of water pressure.)

## 7. Reagents and Materials

7.1 *Cleaning Solvents*—Use suitable technical grade solvent capable of cleaning out the test specimen from the test cup and drying the test cup. Some commonly used solvents are toluene and acetone. (**Warning**—Toluene, acetone, and many solvents are flammable. Health hazard. Dispose of solvents and waste material in accordance with local regulations.)

## 8. Sampling

8.1 Obtain a sample in accordance with the instructions given in Practices [D140](#), [D4057](#), [D4177](#) or [E300](#).

8.2 At least 70 mL of sample is required for each test. Refer to Practice [D4057](#).

8.3 Erroneously high flash points may be obtained if precautions are not taken to avoid the loss of volatile material. Do not open containers unnecessarily; this will prevent loss of volatile material and possible introduction of moisture. Do not make a transfer of the sample unless the sample temperature is at least 56 °C (100 °F) below the expected flash point. When possible, flash point should be the first test performed on a sample and the sample should be stored at low temperature.

NOTE 3—Typical sample storage temperature is normal room temperature or lower.

8.4 Do not store samples in gas-permeable containers since volatile material may diffuse through the walls of the enclosure. Samples in leaky containers are suspect and not a source of valid results.

8.5 Light hydrocarbons may be present in the form of gases, such as propane or butane, and may not be detected by testing because of losses during sampling and filling of the test cup. This is especially evident on heavy residuums or asphalts from solvent extraction processes.

8.6 Samples of very viscous materials can be warmed until they are reasonably fluid before they are tested. However, no sample shall be heated more than is absolutely necessary. It shall never be heated above a temperature of 56 °C (100 °F) below its expected flash point. When the sample has been heated above this temperature, allow the sample to cool until it is at least 56 °C (100 °F) below the expected flash point before transferring.

NOTE 4—Typically, the sample containers for these types of samples will remain closed during the warming process.

8.7 Samples containing dissolved or free water can be dehydrated with calcium chloride or by filtering through a qualitative filter paper or a loose plug of dry absorbent cotton. Samples of very viscous materials can be warmed until they are reasonably fluid before they are filtered, but they shall not be heated for prolonged periods or above a temperature of 56 °C (100 °F) below its expected flash point.

NOTE 5—If the sample is suspected of containing volatile contaminants, the treatment described in [8.6](#) and [8.7](#) should be omitted.

## 9. Preparation of Apparatus

9.1 Support the manual or automated apparatus on a level steady surface, such as a table.

9.2 Tests are to be performed in a draft-free room or compartment. Tests made in a laboratory hood or in any location where drafts occur are not to be relied upon.

NOTE 6—A draft shield is recommended to prevent drafts from disturbing the vapors above the test cup. This shield should cover at least three sides of the test cup vicinity. Some apparatus may already include a built-in draft shield.

NOTE 7—With some samples whose vapors or products of pyrolysis are objectionable, it is permissible to place the apparatus along with a shield into a hood, the draft of which is adjusted so that the vapors may be withdrawn without causing air currents over the test cup during the final 56 °C (100 °F) rise in temperature prior to the flash point.

9.3 Wash the test cup with the cleaning solvent to remove any test specimen or traces of gum or residue remaining from a previous test. If any deposits of carbon are present, they should be removed with a material such as a very fine grade of steel wool. Ensure that the test cup is completely clean and dry before using again. If necessary, flush the test cup with cold water and dry for a few minutes over an open flame or a hot plate to remove the last traces of solvent and water. Cool the test cup to at least 56 °C (100 °F) below the expected flash point before using.

9.4 Support the temperature measuring device in a vertical position with the bottom of the device located 6.4 mm ± 0.1 mm ( $\frac{1}{4}$  in. ±  $\frac{1}{50}$  in.) up from the bottom of the inside of the test cup and located at a point halfway between the center and the side of the test cup on a diameter perpendicular to the arc (or line) of the sweep of the test flame and on the side opposite to the test flame applicator mounting position. It is permissible for electronic temperature measuring devices to be mounted in a non-vertical position provided that performance is in accordance with the requirements given in [6.3](#).

NOTE 8—The immersion line engraved on the ASTM or IP thermometer will be 2 mm ± 0.1 mm ( $\frac{3}{64}$  in. ±  $\frac{1}{50}$  in.) below the level of the rim of the cup when the thermometer is properly positioned.

NOTE 9—Some automated apparatus is capable of positioning the temperature measuring device automatically. Refer to the manufacturer's instructions for proper installation and adjustment.

9.5 Prepare the manual apparatus or the automated apparatus for operation according to the manufacturer's instructions for calibrating, checking, and operating the equipment.

## 10. Calibration and Standardization

10.1 Adjust the automated flash point detection system, when used, according to the manufacturer's instructions.

10.2 Calibrate the temperature measuring device according to the manufacturer's instructions.

10.3 Verify the performance of the manual apparatus or the automated apparatus at least once per year by determining the flash point of a certified reference material (CRM), such as those listed in [Annex A2](#), which is reasonably close to the expected temperature range of the samples to be tested. The material shall be tested according to the procedure of this test method and the observed flash point obtained in [11.1.10](#) or [11.2.5](#) shall be corrected for barometric pressure (see Section



12). The flash point obtained shall be within the limits stated in [Table A2.1](#) for the identified CRM or within the limits calculated for an unlisted CRM (see [Annex A2](#)).

10.4 Once the performance of the apparatus has been verified, the flash point of secondary working standards (SWSs) can be determined along with their control limits. These secondary materials can then be utilized for more frequent performance checks (see [Annex A2](#)).

NOTE 10—The verification fluid is a material with a predetermined, interlaboratory tested, flash point temperature that is used to verify proper operation of the apparatus. Calibration is undertaken by the operator according to the apparatus manufacturer's instructions should the result of the verification be outside the stated reproducibility.

10.5 When the flash point obtained is not within the limits stated in [10.3](#) or [10.4](#), check the condition and operation of the apparatus to ensure conformity with the details listed in [Annex A1](#), especially in regard to the position of the temperature measuring device, the application of the test flame, and the heating rate. After adjustment of the apparatus, repeat the test with a fresh test specimen (see [10.3](#)) with special attention to the procedural details prescribed in [Section 11](#).

## 11. Procedure

### 11.1 Manual Apparatus:

11.1.1 Fill the test cup with the sample so that the top of the meniscus of the test specimen is level with the filling mark, and position the test cup on the center of the heating plate. The temperature of the test cup and the sample shall not exceed 56 °C (100 °F) below the expected flash point. If too much test specimen has been added to the cup, remove the excess using a syringe or similar device for withdrawal of fluid. However, if there is test specimen on the outside of the test cup, empty, clean, and refill it. Destroy any air bubbles or foam on the surface of the test specimen with a sharp knife or other suitable device and maintain the required level of test specimen. If a foam persists during the final stages of the test, terminate the test and disregard any results.

NOTE 11—Initially the test cup may be filled below the filling mark to allow for thermal expansion of the sample.

11.1.2 Solid material shall not be added to the test cup. Solid or viscous samples shall be heated until they are fluid before being poured into the test cup; however, the temperature of the sample during heating shall not exceed 56 °C (100 °F) below the expected flash point.

11.1.3 Light the test flame and adjust it to a diameter of 3.2 mm to 4.8 mm ( $\frac{1}{8}$  in. to  $\frac{3}{16}$  in.) or to the size of the comparison bead, if one is mounted on the apparatus (see [Annex A1](#)). (**Warning**—Gas pressure supplied to the apparatus must not be allowed to exceed 3 kPa (12 in.) of water pressure.) (**Warning**—Exercise care when using a gas test flame. If it should be extinguished it will not ignite the vapors in the test cup, and the gas for the test flame that then enters the vapor space can influence the result.) (**Warning**—The operator shall exercise care and take appropriate safety precautions during the initial application of the test flame since test specimens containing low-flash material can give an abnormally strong flash when the test flame is first applied.) (**Warning**—As a safety practice, it is strongly advised, when using automated or

manual apparatus, before heating the test cup and specimen, to pass the test flame across the specimen in the test cup to check for the presence of unexpected volatile material.) (**Warning**—The operator shall exercise care and take appropriate safety precautions during the performance of this test method. The temperatures attained during this test, up to 400 °C (752 °F), are considered hazardous.)

NOTE 12—Some further preliminary test flame applications during the initial heating phase may be useful in detecting whether unexpected volatile material is present in the sample. A typical interval is at the beginning of the initial heating phase and then every 10 °C up to the standard test flame application temperature. See [11.1.5](#).

11.1.4 Apply heat initially at such a rate that the temperature as indicated by the temperature measuring device increases 5 °C to 17 °C (9 °F to 30 °F)/min. When the test specimen temperature is approximately 56 °C (100 °F) below the expected flash point, decrease the heat so that the rate of temperature rise during the last 28 °C (50 °F) before the flash point is 5 °C to 6 °C (9 °F to 11 °F)/min.

NOTE 13—With low flash point material or with highly viscous material, it is advised to use the 5 °C/min to 6 °C/min heating rate from the start of the test to the end.

11.1.5 Apply the test flame when the temperature of the test specimen is approximately 28 °C below the expected flash point and each time thereafter at a temperature reading that is a multiple of 2 °C. Pass the test flame across the center of the test cup at right angles to the diameter, which passes through the temperature measuring device. With a smooth, continuous motion, apply the test flame either in a straight line or along the circumference of a circle having a radius of at least 150 mm  $\pm$  1 mm (6.00 in.  $\pm$  0.039 in.). The center of the test flame shall move in a horizontal plane not more than 2 mm ( $\frac{5}{64}$  in.) above the plane of the upper edge of the test cup and passing in one direction only. At the time of the next test flame application, pass the test flame in the opposite direction of the preceding application. The time consumed in passing the test flame across the test cup in each case shall be approximately 1 s  $\pm$  0.1 s.

NOTE 14—Some automated apparatus pass the test flame in one single direction. Apparatus that operate in this manner will typically shut off the test flame gas after each application, return to the starting position without creating a draft near and over the test cup, and the test flame will be relighted in such a manner that no fuel gas enters the cup vapor space before the next test application.

NOTE 15—When determining the flash point of asphalt, it is recommended to carefully move fully to one side, such as with a spatula, any surface film formed before each application of the ignition source. Available data indicate that higher flash point is observed for asphalt samples when surface film formed is not moved aside, compared to the flash point observed when the surface film is moved aside prior to the application of the ignition source.

NOTE 16—An alternative to the moving aside of the formed surface film can be found in [Appendix X1](#).

11.1.6 During the last 28 °C (50 °F) rise in temperature prior to the expected flash point, care shall be taken to avoid disturbing the vapors in the test cup with rapid movements or drafts near the test cup.

11.1.7 When a foam persists on top of the test specimen during the last 28 °C (50 °F) rise in temperature prior to the expected flash point, terminate the test and disregard any results.

11.1.8 Meticulous attention to all details relating to the test flame, size of the test flame, rate of temperature increase, and rate of passing the test flame over the test specimen is required for proper results.

11.1.9 When testing a sample whose expected flash point temperature is not known, bring the test specimen in the test cup to a temperature no greater than 50 °C (122 °F), or if the sample required heating to be transferred into the test cup, bring the test specimen in the test cup to that temperature. Apply the test flame, in the manner described in 11.1.5, beginning at least 5 °C (9 °F) above the starting temperature. Continue heating the test specimen at 5 °C to 6 °C (9 °F to 11 °F)/min and testing the test specimen every 2 °C (5 °F) as described in 11.1.5 until the flash point is obtained.

NOTE 17—Flash point results determined in an unknown expected flash point mode should be considered approximate. This value can be used as the expected flash point when a fresh specimen is tested in the standard mode of operation.

11.1.10 Record, as the observed flash point, the reading on the temperature measuring device at the time the test flame causes a distinct flash in the interior of the test cup.

11.1.10.1 The sample is deemed to have flashed when a large flame appears at any point on the surface of the test specimen and instantaneously propagates itself over the surface of the test specimen.

11.1.11 The application of the test flame can cause a blue halo or an enlarged flame prior to the actual flash point. This is not a flash point and shall be ignored.

11.1.12 When a flash point or fire point is detected during any preliminary test flame application, or on the first application of the test flame, see 11.1.5, the test shall be discontinued, the result discarded, and the test repeated with a fresh test specimen. The first application of the test flame with the fresh test specimen shall be at least 28 °C (50 °F) below the temperature found when the flash point was detected under the conditions in 11.1.12.

11.1.13 When the apparatus has cooled down to a safe handling temperature, less than 60 °C (140 °F), remove the test cup and clean the test cup and the apparatus as recommended by the manufacturer.

NOTE 18—Exercise care when cleaning the apparatus so as not to damage or dislocate the automated flash detection system, when used, or temperature measuring device. See the manufacturer's instructions for proper care and maintenance.

11.1.14 To determine the fire point, continue heating the test specimen after recording the flash point such that the test specimen temperature increases at a rate of 5 °C to 6 °C (9 °F to 11 °F)/min. Continue the application of the test flame at 2 °C (5 °F) intervals until the test specimen ignites and sustains burning for a minimum of 5 s. Record the temperature of the test specimen when the test flame, which caused the test specimen to ignite was applied. Sustain burning as the observed fire point of the test specimen.

11.1.15 When the apparatus has cooled down to a safe handling temperature, less than 60 °C (140 °F), remove the test cup and clean the test cup and the apparatus as recommended by the manufacturer.

## 11.2 Automated Apparatus:

11.2.1 The automated apparatus shall be capable of performing the procedure as described in 11.1, including control of the heating rate, application of the test flame, detection of the flash point, or fire point, or both, and recording the flash point or fire point, or both.

11.2.2 Fill the test cup with the sample so that the top of the meniscus of the test specimen is level with the filling mark, and position the test cup on the center of the heating plate. The temperature of the test cup and the sample shall not exceed 56 °C (100 °F) below the expected flash point. If too much test specimen has been added to the cup, remove the excess using a syringe or similar device for withdrawal of fluid; however, if there is test specimen on the outside of the test cup, empty, clean, and refill it. Destroy any air bubbles or foam on the surface of the test specimen with a sharp knife or other suitable device, and maintain the required level of test specimen. If a foam persists during the final stages of the test, terminate the test, and disregard any results.

NOTE 19—Initially the test cup may be filled below the filling mark to allow for thermal expansion of the sample.

11.2.3 Solid material shall not be added to the test cup. Solid or viscous samples shall be heated until they are fluid before being poured into the test cup; however, the temperature of the sample during heating shall not exceed 56 °C (100 °F) below the expected flash point.

11.2.4 Light the test flame, when necessary, and adjust it to a diameter of 3.2 mm to 4.8 mm ( $\frac{1}{8}$  in. to  $\frac{3}{16}$  in.) or to the size of the comparison bead, if one is mounted on the apparatus. (**Warning**—Gas pressure supplied to the apparatus must not be allowed to exceed 3 kPa (12 in.) of water pressure.) (**Warning**—Exercise care when using a gas test flame. If it should be extinguished it will not ignite the vapors in the test cup, and the gas for the test flame that then enters the vapor space can influence the result.) (**Warning**—The operator shall exercise care and take appropriate safety precautions during the initial application of the test flame since test specimens containing low-flash material can give an abnormally strong flash when the test flame is first applied.) (**Warning**—The operator shall exercise care and take appropriate safety precautions during the performance of this test method. The temperatures attained during this test, up to 400 °C (752 °F), are considered hazardous.)

NOTE 20—Some automated apparatus can perform preliminary test flame applications during the initial heating phase.

NOTE 21—Some automated apparatus can light the test flame automatically and the size of the flame is preset.

NOTE 22—Test samples containing >1 % silicones can create an insulating deposit on ionization ring flash detectors, as used on most automated apparatus, that can lead to erroneous results. If test samples are known to contain silicones, the use of the manual test is recommended. Ionization ring flash detectors suspected of giving erroneous results can be cleaned using a suitable solvent.

11.2.5 Start the automated apparatus according to the manufacturer's instructions. The apparatus shall follow the procedural details described in 11.1.4 through 11.1.15.

## 12. Calculations

12.1 Observe and record the ambient barometric pressure (see Note 23) at the time of the test. When the pressure differs

from 101.3 kPa (760 mm Hg), correct the flash point or fire point, or both, as follows:

$$\text{Corrected flash point} = C + 0.25 (101.3 - K) \quad (1)$$

$$\text{Corrected flash point} = F + 0.06 (760 - P) \quad (2)$$

$$\text{Corrected flash point} = C + 0.033 (760 - P) \quad (3)$$

where:

$C$  = observed flash point, °C,

$F$  = observed flash point, °F,

$P$  = ambient barometric pressure, mm Hg, and

$K$  = ambient barometric pressure, kPa.

NOTE 23—The barometric pressure used in this calculation is the ambient pressure for the laboratory at the time of test. Many aneroid barometers, such as those used at weather stations and airports, are precorrected to give sea level readings and would not give the correct reading for this test.

12.2 Using the corrected flash point or fire point, or both, as determined in 12.1, round the values to the nearest 1 °C (2 °F) and record.

### 13. Report

13.1 Report the corrected flash point or fire point value, or both, as the Test Method D92 Cleveland open cup flash point or fire point, or both, of the test specimen.

### 14. Precision and Bias

14.1 *Precision*—The precision of this test method as determined by the statistical examination of the interlaboratory test results is as follows:

14.1.1 *Repeatability*—The difference between successive results, obtained by the same operator with the same apparatus under constant operating conditions on identical test material, would in the long run, in the normal and correct operation of the test method, exceed the following values in 1 case in 20.

Flash point	8 °C (15 °F)
Fire point	8 °C (15 °F)

14.1.2 *Reproducibility*—The difference between two single and independent results, obtained by different operators working in different laboratories on identical material, would in the long run, in the normal and correct operation of the test method, exceed the following values only in 1 case in 20.

Flash point	18 °C (32 °F)
Fire point	14 °C (25 °F)

14.2 The precision data for fire point is not known to have been developed in accordance with Precision Manual RR:D02-1007.

NOTE 24—The precisions for fire point were not determined in the current interlaboratory program. Fire point is a parameter that is not commonly specified, although in some cases, this temperature may be desired.

NOTE 25—The precision for asphalt type samples which have had any formed surface film removed has not been determined.

NOTE 26—The precision for asphalt type samples which have utilized the procedure in Appendix X1 have not been determined.

14.3 *Bias*—The procedure of this test method has no bias because flash point and fire point can be defined only in terms of this test method.

14.4 *Relative Bias*—Statistical evaluation of the data did not detect any significant difference between the reproducibility variances of manual and automated Cleveland flash point results for the samples studied with the exception of multi-viscosity lubricating oil and white mineral oil. Evaluation of the data did not detect any significant difference between averages of manual and automated Cleveland flash point for the samples studied with the exception of multi-viscosity lubricating oil, which showed some bias. In any case of dispute, the flash point as determined by the manual procedure shall be considered the referee test.

14.5 The precision data for flash point were developed in a 1991 cooperative test program using seven samples of base oils, asphalt, and lubricating oils. Five laboratories participated with the manual apparatus and eight laboratories participated with the automated equipment. Information on the type of samples and their average flash point are in the research report available at ASTM Headquarters.<sup>5</sup>

### 15. Keywords

15.1 automated Cleveland open cup; Cleveland open cup; fire point open cup for flash point; flammability; flash point; petroleum products

<sup>5</sup> Supporting data have been filed at ASTM International Headquarters and may be obtained by requesting Research Report RR:S15-1009.

## ANNEXES

### (Mandatory Information)

#### A1. CLEVELAND OPEN CUP TESTER

A1.1 *Test Cup*, conforming to Fig. 3 with dimensions as shown with the figure. The cup shall be made of brass or other non-rusting metal of equivalent heat conductivity. The cup may be equipped with a handle.

A1.2 *Heating Plate*, shall be of sufficient dimension and materials to ensure that thermal heat to the test cup is only applied to the bottom of the test cup and that extraneous heat

to the test cup other than to the bottom is minimized. An example for manual apparatus that utilize Bunsen burners or exposed electric heating elements is shown in Fig. 2.

A1.3 *Ignition Source Applicator*—The device for applying the test flame may be of any suitable type. When using a test flame, it is suggested that the tip be 1.6 mm ± 0.05 mm (1/16 in.) in diameter at the end, and that the orifice be



approximately 0.8 mm ± 0.05 mm (1/32 in.) in diameter. The device for operating the test flame applicator may be mounted in such a manner as to permit automated duplication of the sweep of the test flame, the radius of swing being not less than 150 mm (6 in.). The center of the test flame should be supported so that it swings in a plane not greater than 2 mm (5/64 in.) above the plane of the rim of the cup. It is desired that a bead, having a diameter of 3.2 mm to 4.8 mm (1/8 in. to 3/16 in.), be mounted in a convenient position on the apparatus so that the size of the test flame can be compared to it.

NOTE A1.1—A test flame relighting device, such as a pilot flame, is sometimes used to automatically relight the test flame in the event that it is extinguished during the test. This device should be designed such that the unburned gas will not spread out over the test cup during the relighting.

A1.4 *Heater*—Heat may be supplied from any convenient source. The use of a gas burner or alcohol lamp is permitted,

but under no circumstances are products of combustion or free flame to be allowed to come up around the cup. An electric heater which can be controlled automatically or controlled by the user is preferred. The source of heat shall be centered under the opening of the heating plate with no local superheating. Flame-type heaters may be protected from drafts or excessive radiation by any suitable type of shield that does not project above the level of the upper surface of the heating plate.

A1.5 *Temperature Measuring Device Support*—Any convenient device that will hold the temperature measuring device in the specified position during a test and that will permit easy removal of the temperature measuring device from the test cup upon completion of a test may be used.

A1.6 *Heating Plate Support*—Any convenient support that will hold the heating plate level and steady may be employed.

## A2. VERIFICATION OF APPARATUS PERFORMANCE

A2.1 *Certified Reference Material (CRM)*—CRM is a stable, pure (99 + mole % purity) hydrocarbon or other stable petroleum product with a method-specific flash point established by a method-specific interlaboratory study following RR:D02-1007<sup>6</sup> guidelines or ISO Guide 34 and 35.

A2.1.1 Typical values of the flash point corrected for barometric pressure for some reference materials and their typical limits are given in Table A2.1 (see Note A2.2). Suppliers of CRM's will provide certificates stating the method-specific flash point for each material of the current production batch. Calculation of the limits for these other CRM's can be determined from the reproducibility values of

this test method multiplied by 0.7. This value provides a nominal coverage of at least 90 % with 95 % confidence.

NOTE A2.1—Supporting data for the interlaboratory study to generate the flash point in Table A2.1 can be found in research report RR:S15-1010.<sup>7</sup>

NOTE A2.2—Materials, purities, flash point values, and limits stated in Table A2.1 were developed in an ASTM interlaboratory program to determine suitability of use for verification fluids in flash point test methods. Other materials, purities, flash point values, and limits can be suitable when produced according to the practices of RR:D02-1007 or ISO Guides 34 and 35. Certificates of performance of such materials should be consulted before use, as the flashpoint value will vary dependent on the composition of each CRM batch.

A2.2 *Secondary Working Standard (SWS)*—SWS is a stable, pure (99 + mole % purity) hydrocarbon, or other petroleum product whose composition is known to remain appreciably stable.

A2.2.1 Establish the mean flash point and the statistical control limits (3σ) for the SWS using standard statistical techniques.<sup>8</sup>

<sup>6</sup> Supporting data have been filed at ASTM International Headquarters and may be obtained by requesting Research Report RR:D02-1007.

<sup>7</sup> Supporting data have been filed at ASTM International Headquarters and may be obtained by requesting Research Report RR:S15-1010.

<sup>8</sup> MNL7, *Manual on Presentation of Data and Control Chart Analysis*, 6th ed., ASTM International, 1990.

**TABLE A2.1 D92 Typical Flash Point Values and Typical Limits for CRM**

Hydrocarbon	Purity (mole %)	Flash Point (°C)	Tolerance Limits (0.7R) (°C)
<i>n</i> -tetradecane	99 +	115.5	12.5
<i>n</i> -hexadecane	99 +	138.8	12.5

APPENDIX

(Nonmandatory Information)

**X1. TECHNIQUE TO PREVENT SURFACE SKIN FORMATION WHEN TESTING FLASH POINT OF ASPHALTS BY TEST METHOD D92**

**X1.1 Introduction**

X1.1.1 This technique to prevent surface skin formation when testing flash point of asphalts by Test Method D92 was developed by Imran Hussami of Frontier El Dorado Refining Company.

**X1.2 Materials Required**

X1.2.1 *Filter Paper*, qualitative, No. 417 (or equivalent), 7.5 cm diameter.

X1.2.2 *Restraining Tension Ring*, metal wire, circular, but with its 15 mm straight ends folded inwards, parallel to each other (see Fig. X1.1). Dimensions: wire about 2 mm thick, 62 to 63 outside diameter with bent ends 15 mm apart along the circumference of the circle. Total length of wire is about 210

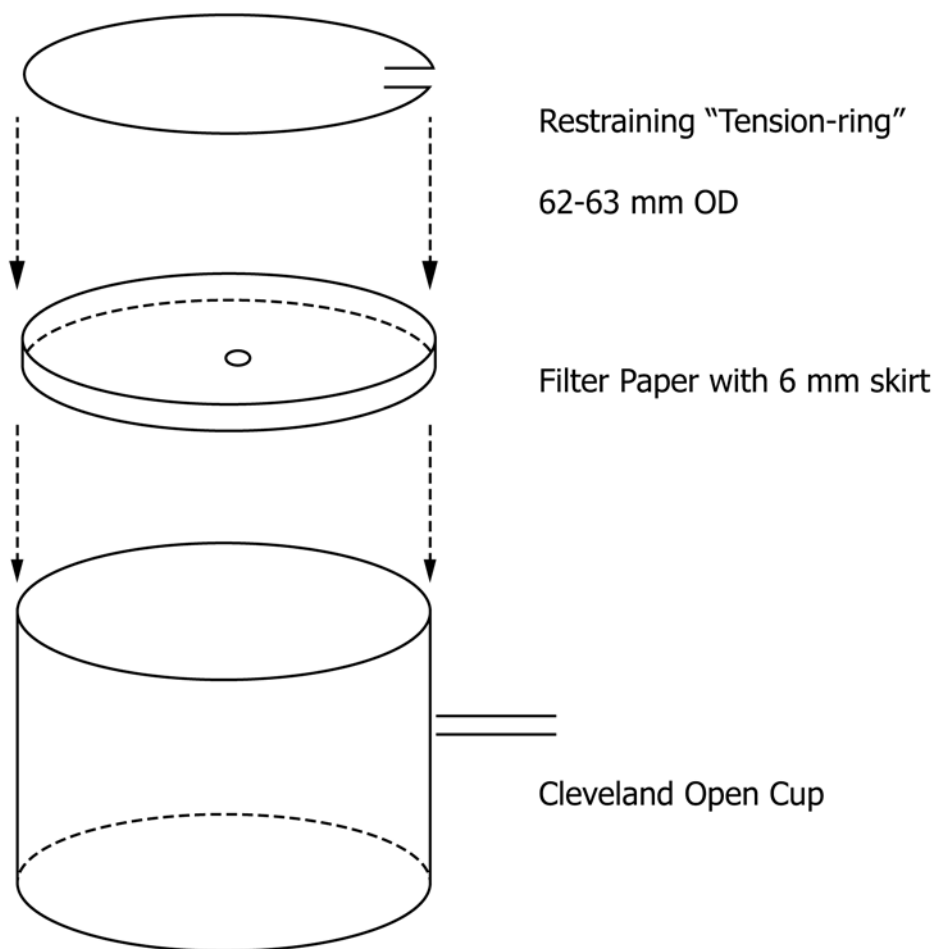
mm. An ordinary metal coat hanger or similar material can be used to make the tension-ring.

X1.2.3 *Single-Hole Punch*, (or equivalent) capable of making a 6 mm diameter hole in the center of the filter paper.

**X1.3 Procedure**

X1.3.1 Determine the center of the filter paper by means of a ruler. Using the single-hole punch, punch a 6 mm diameter hole in the center of the 7.5 cm diameter qualitative filter paper.

X1.3.2 Curl up the sides of the filter paper, about 6 mm all around, and place it in the base of the Cleveland open cup flash point test cup, with the 6 mm skirt facing upward (see Fig. X1.1).



NOTE 1—Use of this alternate technique may cause bubbling in some samples. Bubbling could interfere with automatic flash detection devices, and it also may cause a slower heating rate in some samples.

**FIG. X1.1 Technique to Prevent Surface Skin Formation When Testing Flash Point of Asphalts by Test Method D92**

X1.3.3 Place the restraining tension-ring snugly over the curved portion of the filter paper in the base of the cup. (The tension-ring prevents the filter paper from moving upward during the test.)

X1.3.4 Fill the cup with the sample *4 mm to 5 mm below the filling mark* (this is to compensate for the sample that is absorbed by the filter paper which will be released during the

test). (**Warning**—Filling all the way to the filling mark could produce premature flash point results.)

X1.3.5 Start the test either using a manual tester or an automatic unit (following manufacturer's instructions) and determine the flash point.

X1.3.6 Report the flash point corrected for barometric pressure to the nearest 1 °C.

## SUMMARY OF CHANGES

Subcommittee D02.08 has identified the location of selected changes to this standard since the last issue (D92 – 16a) that may impact the use of this standard. (Approved Dec. 1, 2016.)

(1) Added new **Note 11** and **Note 19**.

Subcommittee D02.08 has identified the location of selected changes to this standard since the last issue (D92 – 16) that may impact the use of this standard. (Approved Oct. 1, 2016.)

(1) Updated subsection **A2.1.1** and **Table A2.1**, removal of the interlaboratory effect.

Subcommittee D02.08 has identified the location of selected changes to this standard since the last issue (D92 – 12b) that may impact the use of this standard. (Approved June 1, 2016.)

(1) Update definition of *flash point* and *fire point*.

*ASTM International takes no position respecting the validity of any patent rights asserted in connection with any item mentioned in this standard. Users of this standard are expressly advised that determination of the validity of any such patent rights, and the risk of infringement of such rights, are entirely their own responsibility.*

*This standard is subject to revision at any time by the responsible technical committee and must be reviewed every five years and if not revised, either reapproved or withdrawn. Your comments are invited either for revision of this standard or for additional standards and should be addressed to ASTM International Headquarters. Your comments will receive careful consideration at a meeting of the responsible technical committee, which you may attend. If you feel that your comments have not received a fair hearing you should make your views known to the ASTM Committee on Standards, at the address shown below.*

*This standard is copyrighted by ASTM International, 100 Barr Harbor Drive, PO Box C700, West Conshohocken, PA 19428-2959, United States. Individual reprints (single or multiple copies) of this standard may be obtained by contacting ASTM at the above address or at 610-832-9585 (phone), 610-832-9555 (fax), or service@astm.org (e-mail); or through the ASTM website (www.astm.org). Permission rights to photocopy the standard may also be secured from the Copyright Clearance Center, 222 Rosewood Drive, Danvers, MA 01923, Tel: (978) 646-2600; http://www.copyright.com/*