



# Standard Test Method for Determination of Contaminants in Gas Turbine and Diesel Engine Fuel by Rotating Disc Electrode Atomic Emission Spectrometry<sup>1</sup>

This standard is issued under the fixed designation D6728; the number immediately following the designation indicates the year of original adoption or, in the case of revision, the year of last revision. A number in parentheses indicates the year of last reapproval. A superscript epsilon ( $\epsilon$ ) indicates an editorial change since the last revision or reapproval.

## 1. Scope\*

1.1 This test method covers the determination of contaminants and materials as a result of corrosion in gas turbine or diesel engine fuels by rotating disc electrode atomic emission spectroscopy (RDE-AES).

1.1.1 The test method is applicable to ASTM Grades 0-GT, 1-GT, 2-GT, 3-GT, and 4-GT gas turbine fuels and Grades Low Sulfur No. 1-D, Low Sulfur No. 2-D, No. 1-D, No. 2-D, and No. 4-D diesel fuel oils.

1.1.1.1 Trace metal limits of fuel entering turbine combustor(s) are given as 0.5 mg/kg each for vanadium, sodium + potassium, calcium, and lead in Specification [D2880](#) for all GT grades.

1.1.2 This test method provides a rapid at-site determination of contamination and corrosive elements ranging from fractions of mg/kg to hundreds of mg/kg in gas turbine and diesel engine fuels so the fuel quality and level of required treatment can be determined.

1.1.3 This test method uses oil-soluble metals for calibration and does not purport to quantitatively determine or detect insoluble particles.

1.2 The values stated in SI units are to be regarded as standard. No other units of measurement are included in this standard. The preferred units are mg/kg (ppm by mass).

1.3 *This standard does not purport to address all of the safety concerns, if any, associated with its use. It is the responsibility of the user of this standard to establish appropriate safety and health practices and determine the applicability of regulatory limitations prior to use.*

<sup>1</sup> This test method is under the jurisdiction of ASTM Committee [D02](#) on Petroleum Products, Liquid Fuels, and Lubricants and is the direct responsibility of Subcommittee [D02.03](#) on Elemental Analysis.

Current edition approved June 1, 2016. Published June 2016. Originally approved in 2001. Last previous edition approved in 2011 as D6728 – 11. DOI: 10.1520/D6728-16.

## 2. Referenced Documents

### 2.1 ASTM Standards:<sup>2</sup>

[D975](#) Specification for Diesel Fuel Oils

[D2880](#) Specification for Gas Turbine Fuel Oils

[D4057](#) Practice for Manual Sampling of Petroleum and Petroleum Products

[D4177](#) Practice for Automatic Sampling of Petroleum and Petroleum Products

[D5854](#) Practice for Mixing and Handling of Liquid Samples of Petroleum and Petroleum Products

[D6299](#) Practice for Applying Statistical Quality Assurance and Control Charting Techniques to Evaluate Analytical Measurement System Performance

## 3. Terminology

### 3.1 Definitions:

3.1.1 *burn, vt—in emission spectroscopy*, to vaporize and excite a specimen with sufficient energy to generate spectral radiation.

3.1.2 *calibration, n*—the determination of the values of the significant parameters by comparison with values indicated by a set of reference standards.

3.1.3 *calibration curve, n*—the graphical or mathematical representation of a relationship between the assigned (known) values of standards and the measured responses from the measurement system.

3.1.4 *calibration standard, n*—a standard having an accepted value (reference value) for use in calibrating a measurement instrument or system.

3.1.5 *detection limit, n*—the smallest concentration of an element that can be measured for specific analysis conditions and data collection periods.

<sup>2</sup> For referenced ASTM standards, visit the ASTM website, [www.astm.org](http://www.astm.org), or contact ASTM Customer Service at [service@astm.org](mailto:service@astm.org). For *Annual Book of ASTM Standards* volume information, refer to the standard's Document Summary page on the ASTM website.

\*A Summary of Changes section appears at the end of this standard

3.1.6 *emission spectroscopy, n*—measurement of energy spectrum emitted by or from an object under some form of energetic stimulation; for example, light, electrical discharge, and so forth.

3.2 *Definitions of Terms Specific to This Standard:*

3.2.1 *arc discharge, n*—a self-sustaining, high current density, high temperature discharge uniquely characterized by a cathode fall nearly equal to the ionization potential of the gas or vapor in which it exists.

3.2.2 *check sample, n*—a reference material usually prepared by a single laboratory for its own use as a measurement control standard, or for the qualification of a measurement method.

3.2.3 *contaminant, n*—material in a fuel sample that may cause ash deposition or high temperature corrosion.

3.2.4 *graphite disc electrode, n*—a soft form of the element carbon manufactured into the shape of a disc for use as an electrode in arc/spark spectrometers for oil and fuel analysis.

3.2.5 *graphite rod electrode, n*—a soft form of the element carbon manufactured into the shape of a rod for use as a counter electrode in arc/spark spectrometers for oil and fuel analysis.

3.2.6 *profiling, n*—to set the actual position of the entrance slit to produce optimum measurement intensity.

3.2.7 *standardization, n*—the process of reestablishing and correcting a calibration curve through the analysis of at least two known oil standards.

3.2.8 *uptake rate, n*—the amount of oil or fuel sample that is physically carried by the rotating disc electrode into the arc for analysis.

#### 4. Summary of Test Method

4.1 A fuel test specimen is excited by a controlled arc discharge using the rotating disk technique. The radiant energies of selected analytical lines and a reference are collected and stored by way of photomultiplier tubes, charge coupled devices, or other suitable detectors. A comparison is made of the emitted intensities of the elements in the fuel test specimen against those measured with calibration standards. The concentration of the elements present in the fuel test specimen are calculated and displayed.

#### 5. Significance and Use

5.1 Operating experience of gas turbines and diesel engines has shown that some of the ash-forming substances present in a fuel can lead to high temperature corrosion, ash deposition, and fuel system fouling. Ash-forming materials may be in a fuel as oil-soluble metallo-organic compounds as water-soluble salts or as solid foreign contamination. Their presence and concentration varies with the geographical source of a crude oil and they are concentrated in the residual fractions during the refining process. Although distillate fuel oils are typically contaminant free, ash-forming materials may be introduced later in the form of salt-bearing water or by contact with other petroleum products during transportation and storage. Specifications of gas turbine and diesel engine fuels and the signifi-

cance of contamination and trace metals are detailed in Specifications **D2880** and **D975**.

5.1.1 Pre-conditioning of the fuel before it reaches the gas turbine or diesel engine has become a prerequisite for installations that use heavy petroleum fuel, and also for sites that use light distillate fuel oils. On-site fuel analysis to determine the extent of contamination is an integral part of a fuel quality management program. It is used first to determine the extent of the required treatment, and later, the effectiveness of the treatment. It starts with the delivery of the fuel, continues throughout fuel handling and ends only as the fuel is injected into the turbine or engine.

5.1.2 Fuel contamination specifications vary among the different gas turbine manufacturers. However, without exception, each requires that contaminants must be as low as possible. In most power generation installations, it is the owner who has the responsibility of verifying fuel cleanliness in compliance with the turbine manufacturer's warranty specifications. This leads to an on-site analytical instrument performance requirement of below 1.0 mg/kg for several elements.

#### 6. Interferences

6.1 *Spectral*—Most spectral interferences can be avoided by judicious choice of spectral lines. High concentrations of some elements can have an interfering influence on the spectral lines used for determining trace levels of contaminants. Instrument manufacturers usually compensate for spectral interferences during factory calibration. A background correction system, which subtracts unwanted intensities on the side of the spectral line, shall also be used for this purpose. When spectral interferences cannot be avoided with spectral line selection and background correction, the necessary corrections shall be made using the computer software supplied by the instrument manufacturer.

6.2 *Viscosity Effects*—Differences in viscosity of fuel samples will cause differences in uptake rates. Internal references of the instrument will compensate for a portion of the differences. Without a reference, the analysis will be adversely affected if the test specimen has a different viscosity from the calibration samples. The hydrogen 486.10 nm spectral line shall be used for light fuels, and the CN 387.10 nm spectral line shall be used for heavy fuels as an internal reference to compensate for viscosity effects.

6.3 *Particulate*—When large particles over 10  $\mu\text{m}$  in size are present, the analytical results will be lower than the actual concentration they represent. Large particles may not be effectively transported by the rotating disk electrode sample introduction system into the arc, nor will they be fully vaporized.

#### 7. Apparatus

7.1 *Electrode Sharpener*—An electrode sharpener to remove the contaminated portion of the rod electrode remaining from the previous determination. It also forms a new 160° angle on the end of the electrode.

7.2 *Rotating Disc Electrode Atomic Emission Spectrometer*—A simultaneous spectrometer consisting of excitation source, polychromator optics, and readout system.

**TABLE 1 Elements and Recommended Wavelengths**

Element	Wavelength, nm	Element	Wavelength, nm
Aluminum	308.21	Magnesium	280.20, 518.36
Calcium	393.37	Nickel	341.48
Chromium	425.43	Potassium	766.49
Copper	324.75	Silicon	251.60
Iron	259.94	Sodium	588.99
Lead	283.31	Vanadium	290.88, 437.92
Lithium	670.78	Zinc	213.86
Manganese	403.07		

Suggested wavelengths are listed in Table 1. When multiple wavelengths are listed, they are in the order of preference or desired analytical range.

**7.3 Heated Ultrasonic Bath (Recommended)**—An ultrasonic bath to heat and homogenize fuel samples to bring particles into suspension. The ultrasonic bath shall be used on samples containing large amounts of debris, those that have been in transit or in storage for at least 48 h and for heavy residual fuels to reduce viscosity effects.

**7.4 Power Mixer**—A power mixer should be used before a sample is transferred from one container to another to ensure that a homogeneous mixture is created and maintained until the transfer is complete. Practice D5854 should be consulted for the mixing and handling of liquid samples.

**8. Reagents and Materials**

**8.1 Base Oil**—A 75 cSt (40 °C) base oil, free of analyte, to be used as a calibration blank or for blending calibration standards.

**8.2 Check Sample and Quality Control (QC) Samples**—One or more oil or fuel standards or samples of known concentration which are periodically analyzed as go/no-go samples to confirm the need for standardization based on an allowable accuracy limit as described in Appendix X1.

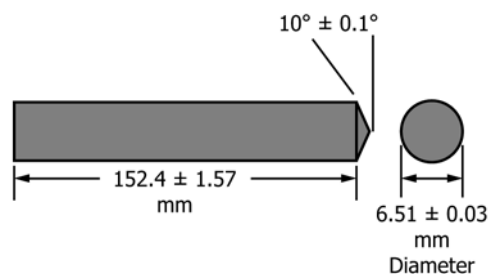
**8.3 Cleaning Solution**—An environmentally safe, non-chlorinated, rapid evaporating, and non-film producing solvent to remove spilled or splashed oil or fuel sample in the sample stand of the spectrometer.

**8.4 Counter Electrode**—The counter electrode is a rod electrode. The counter electrode shall be of high-purity graphite (spectroscopic grade). Dimensions of new counter electrodes shall conform to those shown in Fig. 1.

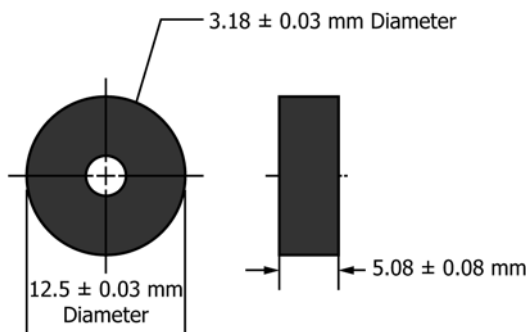
**8.5 Disc Electrode**—Graphite disc electrode of high-purity graphite (spectroscopic grade). Dimensions of the electrodes shall conform to those shown in Fig. 2.

**8.6 Glass Cleaning Solution**—Capable of cleaning and removing splashed oil or fuel sample from the quartz window that protects the entrance lens and fiber optic. Ammonia based window cleaner or 70 % isopropyl rubbing alcohol have been found to be suitable for this purpose.

**8.7 Organometallic Standards**—Single or multi-element blended standards for use as the high concentration standard for instrument standardization purposes or for use as a check sample to confirm calibration. Multi-element blends are used for fuel analysis applications that contain a 3:1 concentration



**FIG. 1 Graphite Counter Electrode**



**FIG. 2 Graphite Disc Electrode**

ratio of magnesium to all other metals present. The typical concentration for the upper calibration point is 10 mg/kg for light fuels when ASTM No. 0-GT, No. 1-GT, No. 2-GT, Grade 1-D, Grade 2-D, and Grade 4-D fuel samples are analyzed. The typical concentration for the upper calibration point is 100 mg/kg for heavy fuels when No. 3-GT and No. 4-GT fuel samples are analyzed.

**8.7.1 Standards** have a shelf-life and shall not be used to standardize an instrument if they have exceeded the expiration date.

**8.8 Specimen Holders**—A variety of specimen holders can be used for the analysis of fuel samples. Disposable specimen holders must be discarded after each analysis and reusable specimen holders must be cleaned after each analysis. All specimen holders must be free of contamination and shall be stored accordingly. Specimen holder covers shall be used on those fuel samples that may catch on fire during the analysis.

**9. Sampling**

**9.1** The fuel sample taken for the analysis must be representative of the entire system. Good sampling procedures are key to good analyses and samples must be taken in accordance with Practices D4057 or D4177.

**10. Preparation of Test Specimen**

**10.1 Homogenization**—Fuel samples may contain particulate matter and free water and, in order to be representative, must always be vigorously shaken prior to pouring a test specimen for analysis.

**10.2 Ultrasonic Homogenization**—Samples that have been in transit for several days, idle in storage or very viscous, shall be placed in a heated ultrasonic bath to break up clusters of particles and to bring them back into suspension. The samples

shall be vigorously shaken with a power mixer after being in the ultrasonic bath and prior to pouring a test specimen for analysis. The bath temperature shall be 60 °C for very viscous fuels and below the flash point of non viscous fuels. The total agitation time for a sample should be at least 2 min.

10.3 *Specimen Holders*—Fuel samples and oil standards shall be poured into a specimen holder of at least 1 mL capacity prior to analysis. Exercise care to pour the sample consistently to the same level in the specimen holders.

10.4 *Specimen Table*—The specimen table shall be adjusted so that when it is in the full raised position, at least one-third of the disc electrode diameter is immersed in the oil test specimen.

## 11. Preparation of Apparatus

11.1 *Warm-up Burns*—If the instrument has been idle for several hours, it may be necessary to conduct warm-up burns to stabilize the excitation source. The warm-up procedure can be performed with any fuel sample or standard. Consult the manufacturer’s instructions for specific warm-up requirements.

11.2 *Optical Profile*—Perform the normal optical profile procedure called for in the operation manual of the instrument. Optical profile shall also be performed if the instrument has been inoperative for an extended period of time or if the temperature has shifted more than 10 °C since the last calibration check.

11.3 *Validation Check*—A *go/no go* standardization check can be performed with one or more check samples or quality control samples to confirm calibration prior to the analysis of routine samples. A calibration standard or fuel sample with known contaminant concentration can be used for this purpose. The optical profile and standardization routine recommended by the instrument manufacturer shall be performed if the validation check fails to meet the accuracy guidelines for each element as described in [Appendix X1](#).

## 12. Calibration

12.1 *Factory Calibration*—The operational range for each element is established through the analysis of organometallic standards at known concentrations. A calibration curve for each element is established and correction factors are set to produce a linear response. Analyses of test specimens must be performed within the linear range of response.

12.2 *Routine Standardization*—A minimum of a two point routine standardization shall be performed if the instrument fails the validation check or at the start of each working shift. A minimum of three analyses shall be made using the blank and working standard.

## 13. Procedure

13.1 *Analysis of Fuel Samples*—Analyze the test specimen in the same calibration curve program and manner as the standardization standards. A new disc electrode and re-pointed rod electrode must be used for each analysis. A laboratory grade paper towel or installation tool shall be used to install the disc electrode in order to protect it from contamination due to

handling. Cleaning procedures recommended by the manufacturer shall be followed to avoid cross contamination or buildup of spilled sample.

13.2 *Number of Analysis per Specimen*—Fuel samples shall be analyzed three times by repeating the procedure in [13.1](#). The 20 % rule is used to reject one of the three analyses if it differs more than 20 % from the average of the others. At concentrations below 1 mg/kg, samples that differ more than 0.3 mg/kg can be rejected. Repeat the procedures in [13.1](#) until three similar analyses are obtained.

13.3 *Analysis of Flammable Samples*—A non-plastic specimen holder cover shall be used on the specimen holder when fuel samples that might catch on fire during the analysis are analyzed. The cover retards flaming that may attenuate the analytical signal. Most covers will fit on reusable or disposable specimen holders.

13.4 *Quality Control with a Check Sample*—Analyze a check sample at least every hour during continuous operation or every 25 samples during intermittent operation to confirm the performance of the instrument.

13.4.1 When Quality Control (QC)/Quality Assurance (QA) protocols are already established, the check sample can be used to confirm the reliability of the test result.

13.4.2 When there is no QC/QA protocol established, [Appendix X1](#) can be used as the QC/QA system.

## 14. Report

14.1 *Fuel Samples*—Fuel samples shall be reported as an average of three separate analyses made on the same sample. Data shall be in mg/kg and to one decimal place for concentrations below 99.9 mg/kg and in whole numbers for concentrations greater than 100 mg/kg.

## 15. Precision and Bias

15.1 *Precision*—The precision of this test method was determined by statistical analysis of interlaboratory results obtained by following this test method. A total of seven laboratories participated in the Interlaboratory Study (ILS) and sent in data on twelve fuel samples and standards analyzed in duplicate in accordance with the procedure described in [13.1 – 13.4](#). The samples in the ILS consisted of distillate fuel oils, crude oil, residual fuels and calibration standards. Data is available in a research report.<sup>3</sup>

15.1.1 *Repeatability*—The difference between two test results, obtained by the same operator with the same apparatus under constant operating conditions on identical test material would, in the long run, in the normal and correct operation of the test method, exceed the values in [Tables 2-5](#) only in one case in twenty. [Tables 2 and 3](#) are for light fuels (ASTM No. 0-GT, No. 1-GT, No. 2-GT, Grade 1-D, Grade 2-D, and Grade 4-D fuel oils) and [Tables 4 and 5](#) for heavy fuels (No. 3-GT and No. 4-GT fuel oils).

15.1.2 *Reproducibility*—The difference between two single and independent results, obtained by different operators working in different laboratories on identical test materials, would in

<sup>3</sup> Supporting data have been filed at ASTM International Headquarters and may be obtained by requesting Research Report RR:D02-1514.



**TABLE 2 Repeatability for Light Fuels (ASTM No. 0-GT, No. 1-GT, No. 2-GT, Grade 1-D, Grade 2-D, and Grade 4-D)**

NOTE 1—X = mean concentration in mg/kg.

Element	ILS Range, mg/kg	Repeatability, mg/kg
Aluminum	0.44-10.18	0.43(X) <sup>0.33</sup>
Calcium	0.002-10.2	0.33(X) <sup>0.43</sup>
Chromium	0.34-5.0	0.31(X) <sup>0.30</sup>
Copper	0.05-9.5	0.36(X) <sup>0.40</sup>
Iron	0.14-9.7	0.53(X) <sup>0.27</sup>
Lead	0.18-10.7	0.74(X+0.02) <sup>0.33</sup>
Magnesium	0.021-31.4	0.29(X+0.01) <sup>0.61</sup>
Nickel	0.01-10.0	0.35(X) <sup>0.44</sup>
Potassium	0.02-9.9	0.38(X) <sup>0.35</sup>
Silicon	0.002-9.7	0.52(X) <sup>0.48</sup>
Sodium	0.39-10.4	0.24(X) <sup>0.43</sup>
Vanadium	0.01-16	0.44(X) <sup>0.53</sup>
Zinc	0.07-9.6	0.34(X) <sup>0.41</sup>

**TABLE 3 Calculated Repeatability for Light Fuels at Selected Concentrations in mg/kg (ASTM No. 0-GT, No. 1-GT, No. 2-GT, Grade 1-D, Grade 2-D, and Grade 4-D)**

Element	ILS Range, mg/kg	0.1	1	10
Aluminum	0.44-10.18	...	0.4	0.9
Calcium	0.002-10.2	0.1	0.3	0.9
Chromium	0.34-5.0	0.2	0.3	...
Copper	0.05-9.5	0.1	0.4	...
Iron	0.14-9.7	...	0.5	...
Lead	0.18-10.7	...	0.7	1.6
Magnesium	0.021-31.4	...	0.3	1.2
Nickel	0.01-10.0	0.1	0.4	1.0
Potassium	0.02-9.9	0.2	0.4	0.8
Silicon	0.002-9.7	0.2	0.5	...
Sodium	0.39-10.4	0.1	0.4	1.5
Vanadium	0.01-16	0.1	0.4	1.5
Zinc	0.07-9.6	0.1	0.3	...

**TABLE 4 Repeatability for Heavy Fuels (ASTM No. 3-GT and No. 4-GT)**

NOTE 1—X = mean concentration in mg/kg.

Element	ILS Range, mg/kg	Repeatability, mg/kg
Aluminum	0.95-241.0	0.24(X+0.1) <sup>0.76</sup>
Calcium	1.08-241.8	0.16(X+0.18) <sup>0.88</sup>
Chromium	0.34-226.6	0.17(X+0.58) <sup>0.92</sup>
Copper	0.02-253.0	0.19(X+0.32) <sup>0.93</sup>
Iron	1.04-227.8	0.34(X) <sup>0.72</sup>
Lead	0.30-232.2	0.72(X+0.32) <sup>0.54</sup>
Magnesium	0.86-674.4	0.16(X) <sup>0.88</sup>
Nickel	0.99-235.4	0.19(X+0.13) <sup>0.82</sup>
Potassium	0.37-96.1	0.33(X) <sup>0.45</sup>
Silicon	0.16-228.9	0.53(X+0.09) <sup>0.54</sup>
Sodium	1.14-238.6	0.14(X) <sup>0.94</sup>
Vanadium	1.09-234.4	0.19(X+0.05) <sup>0.85</sup>
Zinc	0.17-166.1	0.23(X) <sup>0.87</sup>

**TABLE 5 Calculated Repeatability for Heavy Fuels at Selected Concentrations in mg/kg (ASTM No. 3-GT and No. 4-GT)**

Element	ILS Range, mg/kg	1	10	100
Aluminum	0.95-241.0	0.3	1.4	7.9
Calcium	1.08-241.8	0.2	1.2	9.3
Chromium	0.34-226.6	0.3	1.5	12.1
Copper	0.02-253.0	0.2	1.7	14.0
Iron	1.04-227.8	0.3	1.8	9.6
Lead	0.30-232.2	0.8	2.6	8.8
Magnesium	0.86-674.4	0.2	1.2	9.3
Nickel	0.99-235.4	0.2	1.3	8.4
Potassium	0.37-96.1	0.3	0.9	...
Silicon	0.16-228.9	0.6	1.8	6.3
Sodium	1.14-238.6	...	1.2	11.5
Vanadium	1.09-234.4	0.2	1.3	9.3
Zinc	0.17-166.1	0.2	1.7	12.7

**TABLE 6 Reproducibility for Light Fuels (ASTM No. 0-GT, No. 1-GT, No. 2-GT, Grade 1-D, Grade 2-D, and Grade 4-D)**

NOTE 1—X = mean concentration in mg/kg.

Element	ILS Range, mg/kg	Reproducibility, mg/kg
Aluminum	0.44-10.18	0.75(X) <sup>0.33</sup>
Calcium	0.002-10.2	0.49(X) <sup>0.43</sup>
Chromium	0.34-5.0	0.48(X) <sup>0.30</sup>
Copper	0.05-9.5	0.66(X) <sup>0.40</sup>
Iron	0.14-9.7	1.16(X) <sup>0.27</sup>
Lead	0.18-10.7	1.50(X+0.02) <sup>0.33</sup>
Magnesium	0.021-31.4	0.77(X+0.01) <sup>0.61</sup>
Nickel	0.01-10.0	0.92(X) <sup>0.44</sup>
Potassium	0.02-9.9	0.61(X) <sup>0.35</sup>
Silicon	0.002-9.7	0.6754(X) <sup>0.48</sup>
Sodium	0.39-10.4	0.48(X) <sup>0.43</sup>
Vanadium	0.01-16	0.70(X+0.01) <sup>0.53</sup>
Zinc	0.07-9.6	0.51(X) <sup>0.41</sup>

**TABLE 7 Calculated Reproducibility for Light Fuels at Selected Concentrations in mg/kg (ASTM No. 0-GT, No. 1-GT, No. 2-GT, Grade 1-D, Grade 2-D, and Grade 4-D)**

Element	ILS Range, mg/kg	0.1	1	10
Aluminum	0.44-10.18	...	0.7	1.6
Calcium	0.002-10.2	0.2	0.5	1.3
Chromium	0.34-5.0	0.2	0.5	...
Copper	0.05-9.5	0.3	0.7	...
Iron	0.14-9.7	0.6	...	...
Lead	0.18-10.7	...	1.5	3.2
Magnesium	0.021-31.4	...	0.8	3.1
Nickel	0.01-10.0	0.3	0.9	2.5
Potassium	0.02-9.9	0.3	0.8	1.9
Silicon	0.002-9.7	0.2	0.7	...
Sodium	0.39-10.4	...	0.5	1.3
Vanadium	0.01-16	0.2	0.7	2.4
Zinc	0.07-9.6	0.2	0.5	...

the long run, in the normal and correct operation of the test method, exceed the values in Tables 6-9 only in one case in twenty. Tables 6 and 7 are for light fuels (ASTM No. 0-GT, No. 1-GT, No. 2-GT, Grade 1-D, Grade 2-D, and Grade 4-D fuel oils) and Tables 8 and 9 for heavy fuels (No. 3-GT and No. 4-GT fuel oils).

15.2 *Bias*—Bias was evaluated by analyzing two samples prepared from calibration standards at the 5 mg/kg and

10 mg/kg concentrations for light fuels and 10 mg/kg and 30 mg/kg concentrations for heavy fuels. The t-test concluded for light fuels that the bias was insignificant with the exception of calcium, copper, sodium, and zinc at 5 mg/kg concentration, and for heavy fuels, aluminum and nickel at 30 mg/kg.

**16. Keywords**

16.1 ash-forming materials; contaminant; disc electrode; emission spectrometry; fuel analysis; RDE; rod electrode; rotating disc electrode spectrometer; trace metals

**TABLE 8 Reproducibility for Heavy Fuels (ASTM No. 3-GT and No. 4-GT)**

NOTE 1—X = mean concentration in mg/kg.

Element	ILS Range, mg/kg	Reproducibility, mg/kg
Aluminum	0.95-241.0	$0.40(X+0.07)^{0.767}$
Calcium	1.08-241.8	$0.2958(X+0.18)^{0.88}$
Chromium	0.34-226.6	$0.31(X+0.58)^{0.92}$
Copper	0.02-253.0	$0.285(X+0.32)^{0.93}$
Iron	1.04-227.8	$0.67(X)^{0.723}$
Lead	0.30-232.2	$1.33(X+0.32)^{0.54}$
Magnesium	0.86-674.4	$0.31(X)^{0.88}$
Nickel	0.99-235.4	$0.52(X+0.13)^{0.825}$
Potassium	0.37-96.1	$0.65(X)^{0.45}$
Silicon	0.16-228.9	$0.88(X+0.1)^{0.54}$
Sodium	1.14-238.6	$0.32(X)^{0.94}$
Vanadium	1.09-234.4	$0.55(X+0.05)^{0.85}$
Zinc	0.17-166.1	$0.41(X+0)^{0.87}$

**TABLE 9 Calculated Reproducibility for Heavy Fuels at Selected Concentrations in mg/kg (ASTM No. 3-GT and No. 4-GT)**

Element	ILS Range, mg/kgp	1	10	100
Aluminum	0.95-241.0	0.4	2.3	13.1
Calcium	1.08-241.8	0.3	2.3	17.2
Chromium	0.34-226.6	0.5	2.7	21.6
Copper	0.02-253.0	0.4	2.5	20.7
Iron	1.04-227.8	0.7	3.5	18.7
Lead	0.30-232.2	1.5	4.7	16.2
Magnesium	0.86-674.4	0.3	2.4	17.9
Nickel	0.99-235.4	0.6	3.5	23.2
Potassium	0.37-96.1	0.7	1.8	...
Silicon	0.16-228.9	0.9	3.1	10.5
Sodium	1.14-238.6	...	2.8	24.2
Vanadium	1.09-234.4	0.6	3.9	27.6
Zinc	0.17-166.1	0.4	3.0	22.5

## APPENDIX

### (Nonmandatory Information)

#### X1. QUALITY CONTROL

X1.1 Confirm the performance of the instrument or the test procedure by analyzing a quality control (QC) sample.

X1.2 Prior to monitoring the measurement process, the user of the method should determine the average value and control limits of the QC sample. See Practice [D6299](#) and *ASTM MNL7*.<sup>4</sup>

X1.3 Record the QC results and analyze by control charts or other statistically equivalent technique to ascertain the statistical control status of the total testing process. See Practice [D6299](#) and *ASTM MNL7*.<sup>4</sup> Any out-of-control data should trigger investigation for root cause(s). The results of this investigation may, but not necessarily, result in instrument calibration.

X1.4 In the absence of explicit requirements given in the test method, the frequency of QC testing is dependent on the criticality of the quantity being measured, the demonstrated stability of the testing process, and customer requirements. Generally, a QC sample is analyzed each testing day with routine samples. The QC frequency should be increased if a large number of samples are routinely analyzed. However, when it is demonstrated that the testing is under statistical control, the QC testing frequency may be reduced. The QC sample precision should be periodically checked against the ASTM method precision to ensure data quality.<sup>4</sup>

X1.5 It is recommended that, if possible, the type of QC sample that is regularly tested be representative of the samples routinely analyzed. An ample supply of QC sample material should be available for the intended period of use, and must be homogeneous and stable under the anticipated storage conditions.

<sup>4</sup> *ASTM MNL7*, Manual on Presentation of Data Control Chart Analysis, 6th ed., Section 3, Control Charts for Individuals, available from ASTM International Headquarters.

X1.6 See Practice **D6299** and *ASTM MNL7*<sup>4</sup> for further guidance on QC and control charting techniques.

## SUMMARY OF CHANGES

Subcommittee D02.03 has identified the location of selected changes to this standard since the last issue (D6728 – 11) that may impact the use of this standard. (Approved June 1, 2016.)

- (1) Added metal limits given in turbine fuel specifications in **1.1.1.1**.
- (2) Added Practice **D4177** to Referenced Documents.
- (3) Added reference to an additional sampling procedure in **9.1**.

*ASTM International takes no position respecting the validity of any patent rights asserted in connection with any item mentioned in this standard. Users of this standard are expressly advised that determination of the validity of any such patent rights, and the risk of infringement of such rights, are entirely their own responsibility.*

*This standard is subject to revision at any time by the responsible technical committee and must be reviewed every five years and if not revised, either reapproved or withdrawn. Your comments are invited either for revision of this standard or for additional standards and should be addressed to ASTM International Headquarters. Your comments will receive careful consideration at a meeting of the responsible technical committee, which you may attend. If you feel that your comments have not received a fair hearing you should make your views known to the ASTM Committee on Standards, at the address shown below.*

*This standard is copyrighted by ASTM International, 100 Barr Harbor Drive, PO Box C700, West Conshohocken, PA 19428-2959, United States. Individual reprints (single or multiple copies) of this standard may be obtained by contacting ASTM at the above address or at 610-832-9585 (phone), 610-832-9555 (fax), or [service@astm.org](mailto:service@astm.org) (e-mail); or through the ASTM website ([www.astm.org](http://www.astm.org)). Permission rights to photocopy the standard may also be secured from the Copyright Clearance Center, 222 Rosewood Drive, Danvers, MA 01923, Tel: (978) 646-2600; <http://www.copyright.com/>*