



Designation: D6595 – 17

Standard Test Method for Determination of Wear Metals and Contaminants in Used Lubricating Oils or Used Hydraulic Fluids by Rotating Disc Electrode Atomic Emission Spectrometry¹

This standard is issued under the fixed designation D6595; the number immediately following the designation indicates the year of original adoption or, in the case of revision, the year of last revision. A number in parentheses indicates the year of last reapproval. A superscript epsilon (ϵ) indicates an editorial change since the last revision or reapproval.

1. Scope*

1.1 This test method covers the determination of wear metals and contaminants in used lubricating oils and used hydraulic fluids by rotating disc electrode atomic emission spectroscopy (RDE-AES).

1.2 This test method provides a quick indication for abnormal wear and the presence of contamination in new or used lubricants and hydraulic fluids.

1.3 This test method uses oil-soluble metals for calibration and does not purport to relate quantitatively the values determined as insoluble particles to the dissolved metals. Analytical results are particle size dependent and low results may be obtained for those elements present in used oil samples as large particles.

1.4 The test method is capable of detecting and quantifying elements resulting from wear and contamination ranging from dissolved materials to particles approximately 10 μm in size.

1.5 The values stated in SI units are to be regarded as standard. No other units of measurement are included in this standard.

1.5.1 The preferred units are mg/kg (ppm by mass).

1.6 *This standard does not purport to address all of the safety concerns, if any, associated with its use. It is the responsibility of the user of this standard to establish appropriate safety and health practices and determine the applicability of regulatory limitations prior to use.*

1.7 *This international standard was developed in accordance with internationally recognized principles on standardization established in the Decision on Principles for the Development of International Standards, Guides and Recommendations issued by the World Trade Organization Technical Barriers to Trade (TBT) Committee.*

¹ This test method is under the jurisdiction of ASTM Committee D02 on Petroleum Products, Liquid Fuels, and Lubricants and is the direct responsibility of Subcommittee D02.03 on Elemental Analysis.

Current edition approved May 1, 2017. Published May 2017. Originally approved in 2000. Last previous edition approved in 2016 as D6595 – 16. DOI: 10.1520/D6595-17.

2. Referenced Documents

2.1 *ASTM Standards*:²

D4057 Practice for Manual Sampling of Petroleum and Petroleum Products

D4177 Practice for Automatic Sampling of Petroleum and Petroleum Products

3. Terminology

3.1 *Definitions*:

3.1.1 *burn, vt—in emission spectroscopy*, to vaporize and excite a specimen with sufficient energy to generate spectral radiation.

3.1.2 *calibration, n*—the determination of the values of the significant parameters by comparison with values indicated by a set of reference standards.

3.1.3 *calibration curve, n*—the graphical or mathematical representation of a relationship between the assigned (known) values of standards and the measured responses from the measurement system.

3.1.4 *calibration standard, n*—a standard having an accepted value (reference value) for use in calibrating a measurement instrument or system.

3.1.5 *emission spectroscopy, n*—measurement of energy spectrum emitted by or from an object under some form of energetic stimulation; for example, light, electrical discharge, and so forth.

3.2 *Definitions of Terms Specific to This Standard*:

3.2.1 *arc discharge, n*—a self-sustaining, high current density, high temperature discharge, uniquely characterized by a cathode fall nearly equal to the ionization potential of the gas or vapor in which it exists.

3.2.2 *check sample, n*—a reference material usually prepared by a laboratory for its own use as a calibration standard, as a measurement control standard, or for the qualification of a measurement method.

² For referenced ASTM standards, visit the ASTM website, www.astm.org, or contact ASTM Customer Service at service@astm.org. For *Annual Book of ASTM Standards* volume information, refer to the standard's Document Summary page on the ASTM website.

*A Summary of Changes section appears at the end of this standard

3.2.3 *contaminant, n*—material in an oil sample that may cause abnormal wear or lubricant degradation.

3.2.4 *counter electrode, n*—either of two graphite electrodes in an atomic emission spectrometer across which an arc or spark is generated.

3.2.5 *graphite disc electrode, n*—a soft form of the element carbon manufactured into the shape of a disc for use as a counter electrode in arc/spark spectrometers for oil analysis.

3.2.6 *graphite rod electrode, n*—a soft form of the element carbon manufactured into the shape of a rod for use as a counter electrode in arc/spark spectrometers for oil analysis.

3.2.7 *profiling, n*—to set the actual position of the entrance slit to produce optimum measurement intensity.

3.2.8 *standardization, n*—the process of reestablishing and correcting a calibration curve through the analysis of at least two known oil standards.

3.2.9 *uptake rate, n*—the amount of oil sample that is physically carried by the rotating disc electrode into the arc for analysis.

3.2.10 *wear metal, n*—material resulting from damage to a solid surface due to relative motion between that surface and a contacting substance or substances.

4. Summary of Test Method

4.1 Wear metals and contaminants in a used oil test specimen are evaporated and excited by a controlled arc discharge using the rotating disk technique. The radiant energies of selected analytical lines and one or more references are collected and stored by way of photomultiplier tubes, charge-coupled devices, or other suitable detectors. A comparison is made of the emitted intensities of the elements in the used oil test specimen against those measured with calibration standards. The concentrations of the elements present in the oil test specimen are calculated and displayed. They may also be entered into a data base for processing.

5. Significance and Use

5.1 *Used Lubricating Oil*—The determination of debris in used oil is a key diagnostic method practiced in machine condition monitoring programs. The presence or increase in concentration of specific wear metals can be indicative of the early stages of wear if there are baseline concentration data for comparison. A marked increase in contaminant elements can be indicative of foreign materials in the lubricants, such as antifreeze or sand, which may lead to wear or lubricant degradation. The test method identifies the metals and their concentration so that trends relative to time or distance can be established and corrective action can be taken prior to more serious or catastrophic failure.

6. Interferences

6.1 *Spectral*—Most spectral interferences can be avoided by judicious choice of spectral lines. High concentrations of additive elements can have an interfering influence on the spectral lines used for determining wear metals. Instrument manufacturers usually compensate for spectral interferences

during factory calibration. A background correction system, which subtracts unwanted intensities on either side of the spectral line, shall also be used for this purpose. When spectral interferences cannot be avoided with spectral line selection and background correction, the necessary corrections shall be made using the computer software supplied by the instrument manufacturer.

6.2 *Viscosity Effects*—Differences in viscosity of used oil samples will cause differences in uptake rates. Internal references of the instrument will compensate for a portion of the differences. In used oil applications, the hydrogen 486.10 nm spectral line has become the industry standard for use as an internal reference. Without a reference, trended data on used oil will be adversely affected if the sample base stock has a different viscosity from the base line samples.

6.3 *Particulate*—When large particles over 10 µm in size are detected, the analytical results will be lower than the actual concentration they represent. Large particles may not be effectively transported by the rotating disk electrode sample introduction system into the arc, nor will they be fully vaporized by the spark.

7. Apparatus

7.1 *Electrode Sharpener*—An electrode sharpener is necessary to remove the contaminated portion of the rod electrode remaining from the previous determination. It also forms a new 160° angle on the end of the electrode. Electrode sharpeners are not required for instruments using a pre-shaped disc electrode as the counter electrode.

7.2 *Rotating Disc Electrode Atomic Emission Spectrometer*, a simultaneous spectrometer consisting of excitation source, polychromator optics, and a readout system. Suggested elements and wavelengths are listed in **Table 1**. When multiple wavelengths are listed, they are in the order of preference or desired analytical range.

7.3 *Heated Ultrasonic Bath (Recommended)*, an ultrasonic bath to heat and homogenize used oil samples to bring particles into homogeneous suspension. The ultrasonic bath shall be used on samples containing large amounts of debris and those that have been in transit or stored for 48 h or longer.

8. Reagents and Materials

8.1 *Base Oil*, a 75 cSt base oil free of analyte to be used as a calibration blank or for blending calibration standards.

TABLE 1 Elements and Recommended Wavelengths

Element	Wavelength, nm	Element	Wavelength, nm
Aluminum	308.21	Nickel	341.48
Barium	230.48, 455.40	Phosphorus	255.32, 214.91
Boron	249.67	Potassium	766.49
Calcium	393.37, 445.48	Silicon	251.60
Chromium	425.43	Silver	328.07, 243.78
Copper	324.75, 224.26	Sodium	588.89, 589.59
Iron	259.94	Tin	317.51
Lead	283.31	Titanium	334.94
Lithium	670.78	Tungsten	400.87
Manganese	403.07, 294.92	Vanadium	290.88, 437.92
Magnesium	280.20, 518.36	Zinc	213.86
Molybdenum	281.60		

TABLE 2 Repeatability

NOTE 1—X = mean concentration in mg/kg.

Element	Range, mg/kg	Repeatability, mg/kg
Aluminum	0.23–101	0.5419(X+0.57) ^{0.45}
Barium	28–115	0.0694X ^{1.18}
Boron	0.14–120	0.4280(X+0.1028) ^{0.56}
Calcium	3.7–11460	0.1106(X+2.184)
Chromium	0.18–152	0.7285(X+0.0557) ^{0.41}
Copper	0.47–100	0.1631(X+0.3459) ^{0.85}
Iron	4.8–210	0.3159 (X+0.0141) ^{0.73}
Lead	0.43–101	1.062(X+0.6015) ^{0.34}
Magnesium	4.9–1360	0.1049X
Manganese	0.3–117	0.7017(X+0.3534) ^{0.34}
Molybdenum	0.21–100	0.9978(X+0.4795) ^{0.34}
Nickel	0.35–100	0.7142(X+0.3238) ^{0.40}
Phosphorus	52–2572	0.0761(X+14.76)
Potassium	0.35–247	0.4075(X+0.1154) ^{0.63}
Silicon	3.2–142	0.4015(X+0.1692) ^{0.63}
Silver	31–102	0.1523(X+1.2) ^{0.88}
Sodium	3.6–99.6	0.1231(X–2.674)
Tin	30–139	0.6777(X+0.6578) ^{0.45}
Titanium	6.8–103	0.5831(X+0.9304) ^{0.5}
Vanadium	2.1–101	0.6389(X+0.8418) ^{0.41}
Zinc	5.3–1345	0.2031(X+1.553) ^{0.87}

8.2 *Check Samples*, An oil standard or sample of known concentration which is periodically analyzed as a go/no-go sample to confirm the need for standardization based on an allowable $\pm 10\%$ accuracy limit.

8.3 *Cleaning Solution*, An environmentally safe, non-chlorinated, rapid evaporating, and non-film producing solvent, to remove spilled or splashed oil sample in the sample stand.

8.4 *Disc Electrode*, a graphite disc electrode of high-purity graphite (spectroscopic grade). Dimensions of the electrodes shall conform to those shown in Fig. 1.

8.5 *Glass Cleaning Solution*, capable of cleaning and removing splashed oil sample from the quartz window that protects the entrance lens and fiber optic. Isopropyl rubbing alcohol or ammonia-based window cleaner has been found to be suitable for this purpose.

8.6 *Organometallic Standards*, single or multi-element blended standards for use as the high concentration standard for instrument standardization purposes or for use as a check sample to confirm calibration. Typical concentrations in the upper calibration point standard for used oil applications is 100 mg/kg for wear metals and contaminants, and 900 mg/kg for additive elements.

8.6.1 Standards have a shelf life and shall not be used to standardize an instrument if they have exceeded the expiration date.

8.7 *Counter Electrode*—The counter electrode can be either a rod or a disc. The counter electrode must be high-purity graphite (spectroscopic grade). Dimensions of the counter electrodes shall conform to those shown in Fig. 2.

8.8 *Specimen Holders*—A variety of specimen holders can be used for the analysis of used oil samples. Disposable specimen holders must be discarded after each analysis and reusable specimen holders must be cleaned after each analysis. All specimen holders must be free of contamination and shall

be stored accordingly. Specimen holder and covers shall be used on hydraulic oil samples that may catch on fire during the analysis.

8.9 *Quality Control Samples*, preferably are portions of one or more liquid petroleum materials that are stable and representative of the samples of interest. These QC samples can be used to check the validity of the testing process as described in Section 13.

9. Sampling

9.1 The used oil sample taken for the analysis must be representative of the entire system. Good sampling procedures are key to good analyses and samples must be taken in accordance with Practice D4057 or D4177.

10. Preparation of Test Specimen

10.1 *Homogenization*—Used oil samples may contain particulate matter and, in order to be representative, must always be vigorously shaken prior to pouring a test specimen for analysis.

10.2 *Ultrasonic Homogenization*—Samples that have been in transit for several days, idle in storage, or very viscous shall be placed in a heated ultrasonic bath to break up clusters of particles and to bring them back into suspension. The samples shall be vigorously shaken after being in the ultrasonic bath and prior to pouring a test specimen for analysis. The bath temperature shall be at least 60 °C and the total agitation time at least 2 min.

10.3 *Specimen Holders*—Used oil samples and oil standards shall be poured into a specimen holder of at least 1 mL capacity prior to analysis. Exercise care to pour the sample consistently to the same level in the specimen holders to maintain good repeatability of analysis.

10.4 *Specimen Table*—The specimen table shall be adjusted so that when it is in the fully raised position, at least one-third of the disc electrode is immersed in the oil test specimen.

11. Preparation of Apparatus

11.1 *Warm-up Burns*—If the instrument has been idle for several hours, it may be necessary to conduct at least three warm-up burns to stabilize the excitation source. The warm-up procedure can be performed with any oil sample or standard. Consult the manufacturer's instructions for specific warm-up requirements.

11.2 *Optical Profile*—Perform the normal optical profile procedure called for in the operation manual of the instrument. An optical profile shall also be performed if the instrument has been inoperative for an extended period of time or if the temperature has shifted more than 10 °C since the last calibration check.

11.3 *Validation Check*—A go/no-go standardization check can be performed with one or more check samples to confirm calibration prior to the analysis of routine samples. A calibration standard or known oil sample can be used for this purpose. The optical profile and standardization routine recommended by the instrument manufacturer shall be performed if the

TABLE 3 Calculated Repeatability at Selected Concentrations in mg/kg

Element	1	10	100	1000
Aluminum	0.7	1.6	4.3	
Barium			16.2	
Boron	0.5	1.6	5.6	
Calcium		1.3	11.3	110.8
Chromium	0.7	1.9	4.8	
Copper	0.2	1.2	8.2	
Iron		1.7	9.3	
Lead	1.2	2.4	5.1	
Magnesium		1.0	10.5	104.9
Manganese	0.8	1.6	3.4	
Molybdenum	1.1	2.2	4.8	
Nickel	0.8	1.8	4.5	
Phosphorus		1.9	8.7	
Potassium	0.4	1.8	7.4	
Silicon		1.7	7.3	
Silver			8.9	
Sodium		0.9	12.0	
Tin			5.4	
Titanium		1.7	4.2	
Vanadium		1.7	4.2	
Zinc		1.7	11.3	82.9

TABLE 4 Reproducibility

NOTE 1—X = mean concentration in mg/kg.

Element	Range, mg/kg	Reproducibility, mg/kg
Aluminum	0.25–100	$1.457(X+0.57)^{0.45}$
Barium	28–115	$0.1317X^{1.18}$
Boron	0.14–120	$0.9726(X+0.1028)^{0.56}$
Calcium	3.7–11460	$0.2951(X+2.184)$
Chromium	0.18–152	$1.232(X+0.0557)^{0.41}$
Copper	0.47–100	$0.4386(X+0.3459)^{0.85}$
Iron	4.8–210	$0.8323(X+0.0141)^{0.73}$
Lead	0.43–101	$1.814(X+0.6015)^{0.34}$
Magnesium	4.9–1360	$0.3535X$
Manganese	0.3–117	$2.272(X+0.3534)^{0.34}$
Molybdenum	0.21–100	$2.089(X+0.4795)^{0.34}$
Nickel	0.35–100	$1.261(X+0.3238)^{0.40}$
Phosphorus	52–2572	$0.3016(X+14.76)$
Potassium	0.35–247	$1.023(X+0.1154)^{0.63}$
Silicon	3.2–142	$0.8796(X+0.1692)^{0.63}$
Silver	31–102	$0.4439(X+1.2)^{0.88}$
Sodium	3.6–99.6	$0.1075(X+26.36)$
Tin	30–139	$0.7967(X+0.6578)^{0.45}$
Titanium	6.8–103	$0.9682(X+0.9304)^{0.5}$
Vanadium	2.1–101	$1.983(X+0.8418)^{0.41}$
Zinc	5.3–1345	$0.5881(X+1.553)^{0.87}$

validation check fails to meet the $\pm 10\%$ accuracy guidelines for each element of interest.

12. Calibration

12.1 *Factory Calibration*—The analytical range for each element is established through the analysis of organometallic standards at known concentrations. A calibration curve for each element is established and correction factors are set to produce a linear response. Analyses of test specimens must be performed within the linear range of response. The typical elements and recommended wavelengths determined in the used oil analysis applications are listed in [Table 1](#).

12.2 *Routine Standardization*—A minimum of a two-point routine standardization shall be performed if the instrument fails the validation check or at the start of each working shift.

A minimum of three analyses shall be made using the blank and working standard.

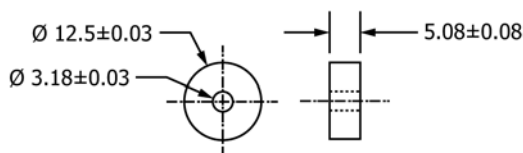
13. Procedure

13.1 *Analysis of Oil Samples*—Analyze the test specimen in the same calibration curve program and manner as the standardization standards. A new disc electrode and re-pointed rod electrode or new counter disc electrode must be used for each analysis. A laboratory-grade paper towel or installation tool shall be used to install the disc electrode in order to protect it from contamination from the fingers. Cleaning procedures recommended by the manufacturer shall be followed to avoid cross contamination or buildup of spilled sample.

13.2 *Analysis of Flammable Samples*—A non-plastic specimen holder cover shall be used on the specimen holder when

TABLE 5 Calculated Reproducibility at Selected Concentrations in mg/kg

Element	1	10	100	1000
Aluminum	1.8	4.2	11.6	
Barium			30.7	
Boron	1.0	3.6	12.8	
Calcium		3.6	30.2	295.7
Chromium	1.3	3.2	8.1	
Copper	0.6	3.2	22.0	
Iron		4.4	24.5	
Lead	2.1	4.0	8.7	
Magnesium		3.5	35.4	353.5
Manganese	2.5	5.0	10.9	
Molybdenum	2.4	4.6	10.0	131.3
Nickel	1.4	3.2	8.0	
Phosphorus		7.5	34.6	
Potassium	1.1	4.4	18.6	
Silicon		3.8	16.0	
Silver			25.8	
Sodium		3.9	13.6	
Tin			6.3	
Titanium		3.2	9.7	
Vanadium		5.3	13.1	
Zinc		4.9	32.8	240



NOTE 1—All dimensions are in millimetres; material is high-purity graphite (spectroscopic grade).

FIG. 1 Graphite Disc Electrode

hydraulic samples that might catch on fire during the analysis are analyzed. The cover retards flaming and minimizes smoke that will attenuate the analytical signal. Most covers will fit on reusable or disposable specimen holders.

13.3 *Quality Control with a Check Sample*—Analyze a check sample at least every hour during continuous operation or every 25 samples during intermittent operation to confirm that the instrument is still within the required $\pm 10\%$ accuracy guidelines for each element of interest.

14. Report

14.1 Report wear metals and contaminants in mg/kg and to one decimal place for concentrations below 10 mg/kg and in whole numbers for concentrations greater than 10 mg/kg. Report additive elements in milligrams per kilogram and in whole numbers up to three significant digits. One determination per used oil sample is the standard industry practice.

15. Precision and Bias

15.1 *Precision*—The precision of this test method was determined by statistical analysis of interlaboratory results obtained by following this method. A total of 16 laboratories participated in the Interlaboratory Study (ILS) of which 14 sent in data on eleven oil samples analyzed in duplicate. The eleven samples in the ILS were: two used automotive oils, one used

turbine oil, one used gear oil, one used diesel oil, one hydraulic oil, one mixture of oil standards, one military oil, and three calibration standards. Two determinations were made on each used oil sample and considered separately. Data is available in a research report.³

15.1.1 *Repeatability*—The difference between two test results, obtained by the same operator with the same apparatus under constant operating conditions on identical test material would, in the long run, in the normal and correct operation of the test method, exceed the values in **Tables 2 and 3** only in one case in twenty.

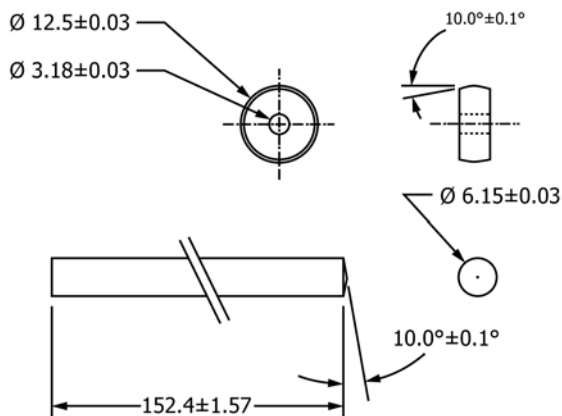
15.1.2 *Reproducibility*—The difference between two single and independent results, obtained by different operators working in different laboratories on identical test materials, would in the long run, in the normal and correct operation of the test method, exceed the values in **Tables 4 and 5** only in one case in twenty.

15.2 *Bias*—Bias was evaluated by analyzing three samples prepared from calibration standards at the 30 mg/kg, 50 mg/kg, and 100 mg/kg concentrations. The t-test concluded that the bias was insignificant for all elements with the exception of barium at 30 mg/kg concentration, nickel at the 50 mg/kg concentration, and titanium at the 100 mg/kg concentration. The calculated bias values are of lesser significance in used oil trending applications.

16. Keywords

16.1 additive elements; contaminant; disc electrode; emission spectrometry; lubricating oil; RDE; rod electrode; rotating disc electrode spectrometer; wear metal

³ Supporting data have been filed at ASTM International Headquarters and may be obtained by requesting Research Report RR:D02-1487. Contact ASTM Customer Service at service@astm.org.



NOTE 1—All dimensions are in millimetres; material is high-purity graphite (spectroscopic grade).

FIG. 2 Graphite Counter Electrode

SUMMARY OF CHANGES

Subcommittee D02.03 has identified the location of selected changes to this standard since the last issue (D6595 – 16) that may impact the use of this standard. (Approved May 1, 2017.)

(1) Corrected typos in [Table 3](#), [Table 4](#), and [Table 5](#).

Subcommittee D02.03 has identified the location of selected changes to this standard since the last issue (D6595 – 00 (2011)) that may impact the use of this standard. (Approved July 1, 2016.)

(1) Added Practice [D4177](#) to Referenced Documents and subsection [9.1](#) as an additional sampling procedure. (2) Added quality control sample in the reagents section as [8.9](#).

ASTM International takes no position respecting the validity of any patent rights asserted in connection with any item mentioned in this standard. Users of this standard are expressly advised that determination of the validity of any such patent rights, and the risk of infringement of such rights, are entirely their own responsibility.

This standard is subject to revision at any time by the responsible technical committee and must be reviewed every five years and if not revised, either reapproved or withdrawn. Your comments are invited either for revision of this standard or for additional standards and should be addressed to ASTM International Headquarters. Your comments will receive careful consideration at a meeting of the responsible technical committee, which you may attend. If you feel that your comments have not received a fair hearing you should make your views known to the ASTM Committee on Standards, at the address shown below.

This standard is copyrighted by ASTM International, 100 Barr Harbor Drive, PO Box C700, West Conshohocken, PA 19428-2959, United States. Individual reprints (single or multiple copies) of this standard may be obtained by contacting ASTM at the above address or at 610-832-9585 (phone), 610-832-9555 (fax), or service@astm.org (e-mail); or through the ASTM website (www.astm.org). Permission rights to photocopy the standard may also be secured from the Copyright Clearance Center, 222 Rosewood Drive, Danvers, MA 01923, Tel: (978) 646-2600; http://www.copyright.com/