



Standard Test Method for Determination of Gaseous Organic Compounds by Direct Interface Gas Chromatography-Mass Spectrometry¹

This standard is issued under the fixed designation D6420; the number immediately following the designation indicates the year of original adoption or, in the case of revision, the year of last revision. A number in parentheses indicates the year of last reapproval. A superscript epsilon (ϵ) indicates an editorial change since the last revision or reapproval.

1. Scope

1.1 This test method employs a direct interface gas chromatograph/mass spectrometer (GCMS) to identify and quantify the 36 volatile organic compounds (or sub-set of these compounds) listed as follows. The individual Chemical Abstract Service (CAS) numbers are listed after each compound.

Benzene-71432	Methylene chloride-75092
Bromodichloromethane-75274	1,1,2,2-Tetrachloroethane-79349
Carbon disulfide-75150	1,1,1-Trichloroethane-71556
Chloroform-67663	1,1,2-Trichloroethane-79005
Methyl iso-Butyl ketone-108101	p-Xylene-106423
Styrene-100425	Bromomethane-74839
Tetrachloroethylene-127184	Carbon tetrachloride-56235
Toluene-108883	Chlorobenzene-108907
Bromoform-75252	c-1,3-Dichloropropene-10061015
Vinyl acetate-108054	1,2-Dichloroethane-156592
Vinyl chloride-75014	1,1-Dichloroethene-75354
Chloromethane-74873	t-1,2-Dichloroethene-156605
cis-1,2-Dichloroethene-156592	Methyl ethyl ketone-78933
Dibromochloromethane-124481	2-Hexanone-591786
1,1-Dichloroethane-107062	t-1,3-Dichloropropene-542756
1,2-Dichloropropane-78875	Trichloroethene-79016
Ethylbenzene-100414	m-Xylene-108383
Ethyl chloride-75003	o-Xylene-95476

1.2 The test method incorporates a performance-based approach, which validates each GCMS analysis by placing boundaries on the instrument response to gaseous internal standards and their specific mass spectral relative abundance. Using this approach, the test method may be extended to analyze other compounds.

1.3 The test method provides on-site analysis of extracted, unconditioned, and unsaturated (at the instrument) gas samples from stationary sources. Gas streams with high moisture content may require conditioning to prevent moisture condensation within the instrument. For these samples, quality assurance (QA) requirements are provided in the test method to validate the analysis of polar, water-soluble compounds.

1.4 The instrument range should be sufficient to measure the listed volatile organic compounds from 150 ppb(v) to 100

ppm(v), using a full scan operation (between 45 and 300 atomic mass units). The range may be extended to higher or lower concentrations using either of the following procedures:

1.4.1 The initial three-point calibration concentrations and the continuing calibration checks are adjusted to match the stack concentrations, or

1.4.2 The three-point calibration is extended to include additional concentrations to cover the measurement range.

1.5 The minimum quantification level is 50 % of the lowest calibration concentration. Responses below this level are considered to be estimated concentrations, unless a calibration standard check is conducted at a lower concentration to demonstrate linearity. The sensitivity of the GCMS measurement system for the individual target analytes depends upon:

1.5.1 The specific instrument response for each target analyte and the number of mass spectral quantification ions available.

1.5.2 The amount of instrument noise, and

1.5.3 The percent moisture content of the sample gas.

1.6 *This standard does not purport to address all of the safety concerns, if any, associated with its use. It is the responsibility of the user of this standard to establish appropriate safety and health practices and determine the applicability of regulatory limitations prior to use.* Additional safety precautions are described in Section 9.

2. Referenced Documents

2.1 *ASTM Standards*:²

[D1356 Terminology Relating to Sampling and Analysis of Atmospheres](#)

[D3195 Practice for Rotameter Calibration](#)

2.2 *EPA Test Methods*:

[Method 1—Sample and Velocity Traverses for Stationary Sources](#)³

¹ This test method is under the jurisdiction of ASTM Committee D22 on Air Quality and is the direct responsibility of Subcommittee D22.03 on Ambient Atmospheres and Source Emissions.

Current edition approved Oct. 1, 2010. Published November 2010. Originally approved in 1999. Last previous edition approved in 2004 as D6420 - 99(2004). DOI: 10.1520/D6420-99R10.

² For referenced ASTM standards, visit the ASTM website, www.astm.org, or contact ASTM Customer Service at service@astm.org. For *Annual Book of ASTM Standards* volume information, refer to the standard's Document Summary page on the ASTM website.

³ Code of Federal Regulations 40 CFR Part 60, Appendix A, available from Superintendent of Documents, U.S. Government Printing Office, Washington, DC 20402.

Method 2—Determination of Stack Gas Velocity and Volumetric Flow Rate (Type S Pitot Tube)³

Method 3—Gas Analysis for Carbon Dioxide, Oxygen, Excess Air, and Dry Molecular Weight³

Method 4—Determination of Moisture Content in Stack Gases³

Method 624—Purgables⁴

3. Terminology

3.1 See Terminology **D1356** for definition of terms used in this test method.

3.2 *Definitions of Terms Specific to This Standard:*

3.2.1 *blank analysis, n*—injecting zero air or nitrogen into the GCMS to determine background levels of the target analytes.

3.2.2 *CCC, n—continuing calibration check*—injecting calibration gas standards into the GCMS to verify the calibration status.

3.2.2.1 *Discussion*—The continuing calibration check is performed before each testing day, before resuming sampling after instrument shutdown or malfunction, and before resuming sampling after 12 h of continuous instrument operation.

3.2.3 *quantification ion, n*—a specific ion in the analytes mass spectrum that is used for quantification.

3.2.4 *system calibration, n*—calibration obtained by injecting the calibration standard(s) through the entire sampling system.

3.2.5 *system zero, n*—zero obtained by injecting dry nitrogen or zero gas through the entire sampling system to determine the system background levels of the target analytes.

4. Summary of Test Method

4.1 *Analysis*—Volatile Organic Hazardous Air Pollutants (VOHAP) are analyzed using gas chromatography (GC) to separate the individual compounds and mass spectrometry (MS) to identify the compounds. The MS scans a defined mass range (usually from 45 to 300 atomic mass units (amu) for combustion sources) to identify the specific fragments for each molecule. The target analytes are identified positively by: (1) comparing eluting analyte GC peak retention times in the total ion chromatograph (TIC) to those contained in a three-point calibration, and (2) examining the mass spectral pattern of the eluted peaks. Internal standards are used to correct for hardware-related errors such as different injection volumes, operational temperature fluctuations, and electron multiplier drift.

4.2 *Sampling*—Samples are extracted from the stack or duct at a constant rate, filtered, conditioned (if required), and transported to the GCMS for analysis. Calibration gases are introduced at the extractive probe outlet, upstream of the primary particulate filter. All sample extraction components are maintained at temperatures that prevent moisture condensation within the measurement system components.

5. Significance and Use

5.1 This field test method determines the mass concentration of VOHAPs (or any subset) listed in Section 1.

5.2 Multiplying the mass concentration by the effluent volumetric flow rate (see 2.2) yields mass emission rates.

5.3 This field test method employs the typical laboratory GCMS techniques and QA/QC procedures.

5.4 This field test method provides data with accuracy and precision similar to most laboratory GCMS instrumentation.

NOTE 1—Supporting data are available from ASTM Headquarters Request RR:_____.

6. Interferences

6.1 *Analytical Interferences*—Analytical interferences occur when chromatographic peak(s) and quantification ion(s) overlap to such an extent that quantification of specific target compounds is prohibited. The nature of the GCMS technique virtually eliminates these types of analytical interferences. However, compounds having very simple mass spectra (that is, only one or two mass fragments) may be difficult to identify positively.

6.2 *Sampling System Interferences*—Sampling system interferences occur when target analytes are not transported to the instrumentation or when compounds damage the measurement system components. Water, reactive particulate matter, adsorptive sites within the sampling system components, and reactive gases are examples of such potential sampling system interferences. Specific provisions and performance criteria are included in this test method to detect and prevent the presence of sampling system interferences.

7. Apparatus

7.1 *Analytical Instrumentation:*

7.1.1 *Gas Chromatograph/Mass Spectrometer (GCMS)*, capable of separating the analyte mixture and detecting compounds in the 45 to 300 atomic mass unit (amu) range.

7.1.2 *Personal Computer*, with compatible GCMS software for control of the GCMS and for data quantification.

7.2 *Sampling System:*

7.2.1 *Sampling Probe*, glass, stainless steel, or other appropriate material of sufficient length and physical integrity to sustain heating, prevent adsorption of analytes, and to reach the gas sampling point.

7.2.2 *Calibration Assembly*, typically fabricated by user, to introduce calibration standards into the sampling system at the probe outlet, upstream of the primary particulate filter, at the same pressure and temperature as that of the effluent samples, with provisions for monitoring the sample pressure and temperature during continuing calibrations and effluent sampling.

7.2.3 *Particulate Filters*, rated at 0.3 μm , placed immediately after the heated probe and after the sample condenser system.

7.2.4 *Pump*, leak-free, with heated head, capable of maintaining an adequate sample flow rate (at least 1.5 L/min).

⁴ Code of Federal Regulations 40 CFR Part 136, Appendix A, available from Superintendent of Documents, U.S. Government Printing Office, Washington, DC 20402.

7.2.5 *Sampling Line*, of suitable internal diameter, heated to prevent sample condensation, made of stainless steel, tetrafluorocarbon polymer, or other material that minimizes adsorption of analytes, of minimal length.

7.2.6 *Sample Condenser System*, a refrigeration unit capable of reducing and removing the moisture of the sample gas to a level acceptable for sample injection.

7.2.7 *Sample Flow Rotameters*, capable of withstanding sample gas conditions, calibrated in accordance with Practice D3195.

7.2.8 *Sample Transfer Line*, to transport sample from sample interface to GCMS, heated to prevent sample condensation and fabricated of stainless steel, tetrafluorocarbon polymer, or other material to minimize adsorption of analytes, of minimal length.

7.3 *Auxiliary Equipment:*

7.3.1 *Calibration Gas Manifold*, capable of delivering nitrogen or calibration gases through sampling system or directly to the instrumentation, with provisions to provide for accurate dilution of the calibration gases as necessary. See Fig. 1 for an example schematic.

7.3.2 *Mass Flow Meters or Controllers*, with a stated accuracy and calibrated range ($\pm 2\%$ of scale from 0 to 500 mL/min or 0 to 5 L/min).

7.3.3 *Digital Bubble Meter (or equivalent)*, having a NIST-traceable calibration and accuracy of $\pm 2\%$ of reading, with an adequate range to calibrate mass flow meters or controllers and rotameters at the specific flow rates (within $\pm 10\%$) required to perform the test method.

7.3.4 *Tubing, tetrafluorocarbon polymer (or other material)*, of suitable diameter and length to connect cylinder regulators and minimize the adsorption of analytes on the tubing surface.

7.3.5 *Tubing, 316 stainless steel (or other material)*, of suitable diameter and length for heated connections.

7.3.6 *Gas Regulators*, appropriate for individual gas cylinders, constructed of materials that minimize adsorption of analytes.

8. Reagents and Materials

8.1 *Calibration Gases*, gas standards (in nitrogen balance or other inert gas) for those compounds identified in Section 1, certified by the manufacturer to be accurate to 5% or better, used for the initial and continuing calibrations.

NOTE 2—The analytical accuracy of the calibration standards must be known. The analytical accuracy for gas mixtures may be concentration dependent.

8.2 *Internal Standards*, manufacturer-certified mixtures for co-injection with sample gas.

8.3 *High Purity (HP) Nitrogen or Zero Air*, for purging sample lines and sampling system components, dilutions, and blank runs.

9. Hazards

9.1 *Target Analytes*—Many of the compounds listed in Section 1 are toxic and carcinogenic. Therefore, avoid exposure to these chemicals. Calibration standards are contained in compressed gas cylinders; exercise appropriate safety precautions to avoid accidents in their transport and use.

9.2 *Sampling Location*—This test method may involve sampling locations with high positive or negative pressures, high temperatures, elevated heights, or high concentrations of hazardous or toxic pollutants.

9.3 *Mobile or Remote Laboratory*—To avoid exposure to hazardous pollutants and to protect personnel in the laboratory, perform a leak check of the sampling system and inspect the sample exhaust equipment before sampling the calibration standards or effluent. Properly vent the exhaust gases.

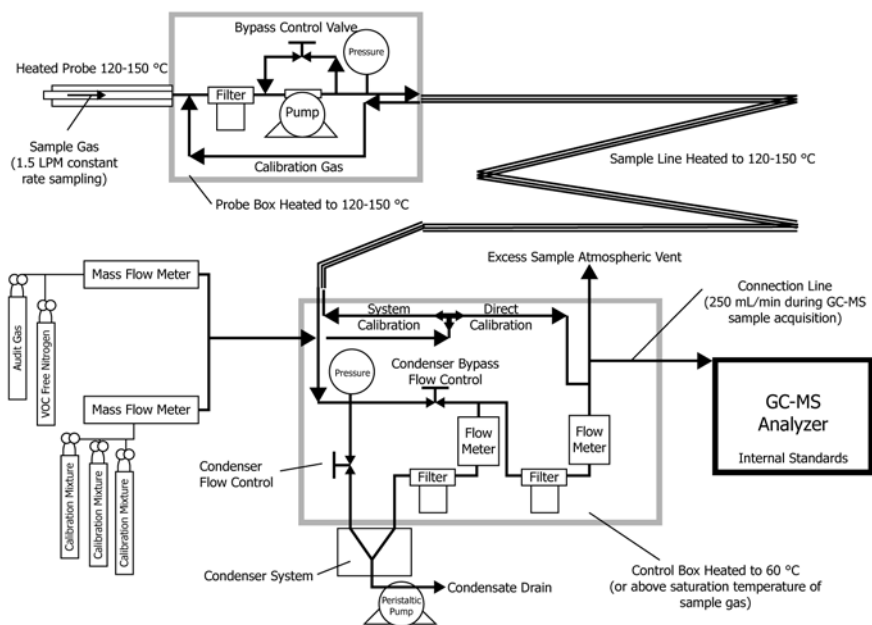


FIG. 1 Example Direct Interface GCMS Measurement System

10. Calibration and Standardization

10.1 *Calibration Standards*—Because of the incompatibility of some target compounds, many gas blends at each concentration may be needed to construct a calibration curve for all of the 36 target analytes listed in 1.1. Obtain or generate calibration standards of each target compound at nominal concentrations of 300 ppb(v), 1 ppm(v), and 10 ppm(v) by either of the following options:

10.1.1 *Option 1*—Obtain calibration gas standards for the target compounds at the three specified nominal concentrations.

10.1.2 *Option 2*—Obtain 10 ppm(v) calibration standards for the target analytes. Then successively dilute the 10 ppm(v) standard with ultra-pure nitrogen using mass flow meters. Dilute the 10 ppm(v) standard to 1 ppm(v) and then the 1 ppm(v) to 300 ppb(v). If Option 2 is used, analyze the calibration check (see Table 5) compounds directly as a QA audit of the dilution technique. The audit result using the calibrated GCMS must be within $\pm 20\%$ for the calibration to be valid.

10.1.3 Option 2 for preparation of the three-point calibration curve may also generate concentration levels above and below the suggested concentration range. It is necessary, when using this option, to audit the calibration curve using a certified calibration standard independent from those used to prepare the curve.

10.1.4 If the QA audit results are not within 20 % of the expected value, corrective action must be taken.

10.2 *Mass Flow Meters*—For Option 2, calibrate the mass flow meter using a digital bubble meter having a NIST-traceable calibration at the specific flow rates ($\pm 10\%$) necessary for diluting the calibration standards.

10.3 *MS Tune*—Follow the manufacturer’s written instructions for the set-up, tune, operation, and calibration of the GCMS instrument.

TABLE 2 Relative Ion Abundance Criteria for Bromofluorobenzene

Mass Fragment	Ion Abundance Criteria
50	15-40 %
75	30-60 %
95	Base peak
96	5-9 % of mass 95
173	<2 % of mass 174
174	>50 % of mass 95
175	5-9 % of mass 174
176	>95 % but <101 % of mass 174
177	5-9 % of mass 174

TABLE 3 Instrument Performance for Blended TRIS/BPFB Internal Standard Mixture in Tune

Mass Fragment	Recommended Percent Relative Low Abundance Criteria	Recommended Percent Relative High Abundance Criteria
50	5	8
55	5	8
69	33	36
93	39	45
117	100	100
167	50	65
248	30	99
263	20	50
282	10	30

10.3.1 If NIST library searchable mass spectra are needed to identify compounds not included in the three-point calibration or to facilitate comparison with other mass spectral analyses, the mass spectrometer tune must be able to produce mass spectra for bromofluorobenzene (BFB) that meet the relative abundance criteria in Table 2.

NOTE 3—BFB is a compound typically used to tune mass spectrometers for use in quantifying volatile organic compounds in accordance with EPA Method 624.⁴

10.3.2 Table 3 presents a specific example of applicable MS tune limits for the mixture of two recommended gaseous

TABLE 1 Calibration and Sampling QA/QC Criteria

Operational Mode	IS Recommended Requirements	GC Retention Time Requirements	Extracted Ion Chromatographic Criteria	Accuracy and Sensitivity
Mass Spectrometer Tune	See Table 3			
Three-Point Calibration	See Table 4	RTs for individual VOHAPS must be within $\pm 6\%$ of each other from run to run.	% RSDs calculated from the individual RRFs at each calibration point must be $\pm 20\%$ for each target analyte. The RFs of the internal standards must be within $-50 - 100\%$ of the mean for the initial three-point calibration.	ARRFs must be > 0.25 to ensure proper instrumental response. A signal to noise of 10:1 (measured in accordance with the instrument manufacturer’s procedures) is recommended for the low concentration level.
Surrogate Continuing Calibration Check (CCC)	See Table 4	RTs for individual VOHAPS must be within $\pm 6\%$ of the initial three-point calibration.	The RFs of the internal standards must be within $-50 - 100\%$ of their ARFs from the initial three-point calibration.	Surrogate continuing system calibration results must be within $\pm 20\%$ of the manufacturers certified value from analysis by the three-point calibration for valid continuing calibration.
Sampling	See Table 4	RTs for detected VOHAPS must be within $\pm 6\%$ of those in the initial three-point calibration.	The RFs of the internal standards must be within $-50 - 100\%$ of their ARFs from the initial three-point calibration.	Spectral ions of greater than 10 % abundance in the identified compounds mass spectrum must also be contained in the reference calibration spectrum for that particular target analyte.

TABLE 4 Instrument Performance for Separated Internal Standard Mixture

Internal Standard	Mass	Recommended Ion Abundance Criteria
TRIS	50	5-20 % of mass 69
	69	Base Peak
	75	40-60 % of mass 69
	213	50-90 % of mass 69
	263	75-95 % of mass 69
	282	30-70 % of mass 69
BPFB	93	20-50 % of mass 117
	117	Base Peak
	167	45-75 % of mass 117
	245	<2 % of mass 246
	246	>25 % of mass 117
	247	5-9 % of mass 246
	248	>25 % of mass 117
	249	5-9 % of mass 248

TABLE 5 Surrogate System Continuing Calibration Compounds

NOTE 1—The compounds listed in Table 5 represent certain class(es) of analytes known as surrogate mixture.

Compound	Class Representing	Molecular Weight	Quantification-Ion	Retention Time ^A
Methylene Chloride	Chlorinated	84	84	2:41 min
Methyl Ethyl Ketone (MEK)	Polar	72	72	2:57 min
Carbon tetrachloride	Chlorinated	152	117	3:35 min
Toluene	Aromatic	92	91	5:08 min
Chlorobenzene	Chlorinated aromatic	112	112	7:22 min
O-xylene	Aromatic	91	91	9:44 min

^ARetention time based on 60°C isothermal separation on a SPB-1 GC column 30 m long and 0.32 mm inside diameter.

internal standards—1,3,5 trifluoromethylbenzene (tris) and bromopentafluorobenzene (BPFB). These criteria have been used to demonstrate that the instrument produces an acceptable instrumental response for BFB. Table 4 presents a specific example of applicable ion abundance criteria for the two co-injected, GC separated gaseous internal standards. Meeting the QA criteria, in Tables 3 and 4 ensures proper and consistent GCMS response in each run, and thus allows meaningful searches of the NIST mass spectral library for data acquired under these conditions.

10.4 *Initial Three-Point Calibration*—Perform an initial three-point calibration for each target compound at each of the three nominal concentrations in 10.1 using duplicate analyses. Calculate relative response factors (RRFs) and average relative response factors (ARRFs) for each target compound at each of the three concentrations (Section 12, Eq 1 and 2). Calculate the percent RSD from these analyses for each target analyte. Verify that the QA/QC performance criteria in Table 1 are met.

10.5 System Continuing Calibration Check (CCC):

10.5.1 Introduce the six calibration check compounds identified in Table 5 at the calibration assembly port, and determine their concentrations using the appropriate three-point calibration curves generated for the 36 analytes listed in 1.1. Allow sufficient time for the system to equilibrate. The system equilibration time should be no longer than the GCMS run time. (The compounds listed in 1.1, and any subset of these compounds, and the internal standards can be separated and detected in a 10 to 15 min isothermal GC run.) Calculate the percent differences from the respective certified values. Percent

differences within $\pm 20\%$ indicate that the calibration of the GCMS system for the analytes is still valid.

10.5.2 Perform analysis of the CCC each day before measuring the effluent, before resuming sampling after each instrument shut down for maintenance or corrective action, and before analyzing additional samples after twelve hours of continuous operation. Repeat procedure if difference is greater than 20 % of expected value for any target VOHAP.

NOTE 4—If only a subset of compounds identified in Section 1 are the target analytes for the test situation, then only those surrogates needed to verify the calibration status of the subset must be analyzed. (See Table 5 for the list of surrogates and compounds for which they represent.) Alternately, all of the target analytes can be used to verify continuing calibration status.

10.5.3 If a moisture condenser is used, conduct an additional CCC immediately after each test run (that is, while the potential for residual moisture in the sampling system is greatest) when analyzing for polar, water-soluble compounds. This QA check is to determine whether loss of water-soluble compounds in the system occurred. Take corrective action, if necessary, before repeating the sample run.

10.6 *Consistency During Runs*—Use the same instrument conditions to quantify effluent and QA samples that were used to establish the three-point calibration curve.

11. Procedure

11.1 Pretest Preparations and Evaluations:

11.1.1 *Flow Rate and Moisture Determination*—If the effluent volumetric flow rate is required, perform EPA Methods 1 through 3. Determine the moisture content to within $\pm 2\%$ using EPA Method 4, wet-bulb dry-bulb measurements, saturation calculations, or other applicable means. If the moisture content of the flue gas is greater than the applicable instrument operating limit, remove the moisture (using a condenser system or other suitable apparatus) before introduction into the GCMS.

11.1.2 *Sample Interface Preparation*—Assemble the sampling system and allow the sample interface system components to reach operating temperatures. See Fig. 1 for an example schematic. Operate the sampling system at a constant sample flow rate during the entire test.

11.1.3 *Continuing Calibration Check*—Perform a CCC in accordance with 10.5. Verify that the results agree to within $\pm 20\%$ of the certified value before proceeding.

11.1.4 *System Zero Analysis*—After the CCC, perform a system zero (through the calibration assembly port) using nitrogen or zero air. Analyze nitrogen samples until the measurement system background levels are less than 50 ppb(v) for the target analytes of interest.

11.2 Sampling and Analysis:

11.2.1 Extract effluent sample gas for a period equal to the sample equilibration time (appropriate to the individual sampling system) before acquiring and analyzing the first sample. Co-inject the internal standards with each sample. Continuously extract the effluent between consecutive GCMS sample acquisitions to ensure constant sample equilibration within the sample interface system.

NOTE 5—The gaseous internal standards must be co-injected with the

sample gas on each GCMS run. The concentration should be no greater than 10 times the expected value of the sample, but in practice this may not be possible for some sources.

11.2.2 Analyze the sample using prepared calibration files and quantification algorithms. Identify and determine the concentration of the target VOHAP in accordance with 12.6. Verify that the QA/QC criteria listed in Table 1 are met for each run. Each sample analysis represents the emissions concentration over a period of approximately 15 min.

11.2.3 Typical test run durations are from 45 to 60 min. During each test run, analyze a minimum of three samples, unless otherwise specified.

11.3 *Data Storage*—Identify all samples with a unique file name. Store backup copies of data files.

12. Calculation

12.1 *Relative Response Factor (RRF)*—Calculate RRF as follows:

$$RRF = \frac{A_X}{A_{IS}} \frac{C_{IS}}{C_X} \quad (1)$$

where

RRF = relative response factor,

A_X = peak area of selected target VOHAP quantion,

A_{IS} = peak area of corresponding selected internal standard quantion,

C_{IS} = concentration of corresponding selected internal standard, and

C_X = concentration of target VOHAP.

12.2 *Average Relative Response Factor (ARRF)*—Calculate ARRF as follows:

$$ARRF = \frac{1}{n} \sum_{i=1}^n RRF_i \quad (2)$$

where:

ARRF = average relative response factor,

RRF = individual RRFs calculated from calibration run (12.1).

n = 6, sample size. (Duplicate samples at each of three concentration levels.)

12.3 *Standard Deviation(s)*—Calculate as follows:

$$s = \sqrt{\frac{\sum_{i=1}^n (RRF_i - ARRF)^2}{n - 1}} \quad (3)$$

where:

s = standard deviation,

RRF_i = individual relative response factor,

ARRF = average relative response factor, and

n = 6, sample size.

12.4 *Percent Relative Standard Deviation (%RSD)*. Calculate % RSD as follows:

$$\% RSD = \frac{s}{ARRF} \times 100 \quad (4)$$

where:

% RSD = percent relative standard deviation.

12.5 *Continuing Calibration Check (CCC) Percent Difference (%D)*. Calculate % D as follows:

$$\% D = \frac{(ARRF - RRF_{CCC})}{ARRF} \times 100 \quad (5)$$

where:

% D = percent difference between RRF_{CCC} and ARRF,
 RRF_{CCC} = target VOHAP RRF obtained from the continuing (system) calibration check, and

ARRF = average relative response factor from three-point calibration.

12.6 *Quantification of Results*—Calculate the VOHAP concentrations in gas samples as follows:

$$\text{Target VOHAP, ppm(v)} = \frac{A_X}{ARRF} \frac{C_{IS}}{A_{IS}} \quad (6)$$

where:

A_X = peak area of target VOHAP quantion,

A_{IS} = peak area of corresponding selected internal standard quantion,

C_{IS} = concentration of corresponding selected internal standard, and

ARRF = average relative response factor of target VOHAP calculated from three-point calibration.

12.7 *Alternative Quantification Calculations*—Alternative quantification algorithms, such as regression analyses, may be used to develop calibration files and sample analysis quantification. In some cases, calculation procedures allowing a non-zero y-axis intercept improve the accuracy and RSDs of measurement results. If the alternative is used, apply the same numerical procedure for the three-point calibration and all sample analyses for the test series.

13. Report

13.1 Report the results for the individual GCMS analyses, and the mean of all samples for each target analyte for each run.

13.2 Include copies of the three-point calibration including % RSD, RRFs and ARRFs, calibration check continuing system calibration(s) results and other test method QA/QC activities in the test report.

13.3 Store and include records of the manufacturer's certificates of calibration standards and internal standards.

14. Precision and Bias

14.1 *Data Quality Objectives*—The overall data quality objectives are within $\pm 20\%$ of the expected value. A precision value of 10 % for each measurement value has been achieved using this method as documented in the research report. Achieving the performance criteria listed in Tables 1-4 has demonstrated that these objectives can be met.⁵

⁵ "Evaluation of HAPSITE and a Direct Interface GCMS Test Method for Measurement of Volatile Organic Compounds in Stationary Source Effluent," Vols I and II, July 1997. Available from ASTM Headquarters. Request RR:D22-1028 .

15. Keywords

15.1 gas chromatography; mass spectrometry; stack gas analysis; stationary source; volatile organic hazardous air pollutant

ASTM International takes no position respecting the validity of any patent rights asserted in connection with any item mentioned in this standard. Users of this standard are expressly advised that determination of the validity of any such patent rights, and the risk of infringement of such rights, are entirely their own responsibility.

This standard is subject to revision at any time by the responsible technical committee and must be reviewed every five years and if not revised, either reapproved or withdrawn. Your comments are invited either for revision of this standard or for additional standards and should be addressed to ASTM International Headquarters. Your comments will receive careful consideration at a meeting of the responsible technical committee, which you may attend. If you feel that your comments have not received a fair hearing you should make your views known to the ASTM Committee on Standards, at the address shown below.

This standard is copyrighted by ASTM International, 100 Barr Harbor Drive, PO Box C700, West Conshohocken, PA 19428-2959, United States. Individual reprints (single or multiple copies) of this standard may be obtained by contacting ASTM at the above address or at 610-832-9585 (phone), 610-832-9555 (fax), or service@astm.org (e-mail); or through the ASTM website (www.astm.org). Permission rights to photocopy the standard may also be secured from the Copyright Clearance Center, 222 Rosewood Drive, Danvers, MA 01923, Tel: (978) 646-2600; <http://www.copyright.com/>