



Designation: D6333 – 17

Standard Practice for Collection of Dislodgeable Pesticide Residues from Floors¹

This standard is issued under the fixed designation D6333; the number immediately following the designation indicates the year of original adoption or, in the case of revision, the year of last revision. A number in parentheses indicates the year of last reapproval. A superscript epsilon (ϵ) indicates an editorial change since the last revision or reapproval.

1. Scope

1.1 This practice covers a procedure for collection of dislodgeable pesticide residues from indoor floor surfaces.

1.2 This practice and the sampling methodology described are applicable to bare floors or covered floor surfaces, for example, carpeting and vinyl flooring.

1.3 This practice and the sampling methodology described are applicable to all pesticides listed in Practice [D4861](#) whether applied directly to the floor surface or transported there by migration within the room or tracked in from outdoors.

1.4 Floor surfaces for which this practice has been successfully applied include nylon plush carpeting, polypropylene level-loop carpeting, and vinyl flooring.

1.5 Sample analysis will be dependent upon the nature of the pesticides targeted and is beyond the scope of this practice; however, the analytical procedures discussed in Practice [D4861](#) are applicable to this practice.

1.6 The values stated in SI units are to be regarded as the standard. No other units of measurement are included in this standard.

1.7 *This standard does not purport to address all of the safety concerns, if any, associated with its use. It is the responsibility of the user of this standard to establish appropriate safety and health practices and determine the applicability of regulatory limitations prior to its use.*

1.8 *This international standard was developed in accordance with internationally recognized principles on standardization established in the Decision on Principles for the Development of International Standards, Guides and Recommendations issued by the World Trade Organization Technical Barriers to Trade (TBT) Committee.*

¹ This practice is under the jurisdiction of ASTM Committee [D22](#) on Air Quality and is the direct responsibility of Subcommittee [D22.05](#) on Indoor Air.

Current edition approved March 1, 2017. Published March 2017. Originally approved in 1998. Last previous edition approved in 2010 as D6333 – 10. DOI: 10.1520/D6333-17.

2. Referenced Documents

2.1 *ASTM Standards:*²

[D1193](#) Specification for Reagent Water

[D1356](#) Terminology Relating to Sampling and Analysis of Atmospheres

[D4861](#) Practice for Sampling and Selection of Analytical Techniques for Pesticides and Polychlorinated Biphenyls in Air

[E1](#) Specification for ASTM Liquid-in-Glass Thermometers

[E337](#) Test Method for Measuring Humidity with a Psychrometer (the Measurement of Wet- and Dry-Bulb Temperatures)

3. Terminology

3.1 *Definitions*—For definitions of terms used in this practice, refer to Terminology [D1356](#).

3.1.1 *dislodgeable residue*—that part of the residue of a chemical deposited on a solid surface that may be transferred by direct contact to human skin or clothing (sometimes called *transferable residue*).

3.1.2 *sampling traverse*—the distance from the starting point to the end point over which the sampling media contacts the floor surface for collection of a single sample.

3.1.3 *transfer coefficient*—the ratio of the amount of pesticide residue collected by the sampling media to the area of the surface contacted by the media during a single sampling traverse.

3.1.4 *transfer efficiency*—the ratio of the transfer coefficient to the pesticide surface loading determined by analysis of deposition coupons placed strategically on the test surface before the pesticide application.

² For referenced ASTM standards, visit the ASTM website, www.astm.org, or contact ASTM Customer Service at service@astm.org. For *Annual Book of ASTM Standards* volume information, refer to the standard's Document Summary page on the ASTM website.

4. Summary of Practice

4.1 The sampling method described in this practice is taken from published work (1-4).³

4.2 Dislodgeable pesticide residues from floor surfaces are collected by transfer to an annular ring of polyurethane foam (PUF), which is rolled across the floor at a constant speed and applied pressure.

4.3 The PUF sampling ring is slipped over a cylindrical metal axle that functions as the front wheel of the PUF roller apparatus. The apparatus is typically constructed of aluminum and consists of a frame with two permanent rear wheels and the detachable axle cylinder on the front.

4.4 Weights are attached to the roller frame to apply the desired downward force on the PUF roller ring (sampling pressure). A total weight of 3.88 kg provides a sampling pressure of 8300 Pa, corresponding approximately to that of a 9 kg child crawling or walking.

4.5 A handle is connected at the rear of the roller frame to push or pull the device across the floor surface.

4.6 A template or similar measuring device is used to identify the area to be sampled. The axle cylinder is fitted with a clean PUF ring, and the roller is then pushed at a constant rate of approximately 10 cm/s over a distance of 1.0 m and then immediately pulled in the reverse direction back over the same sampling area at the same rate of speed, ending at the original starting position.

4.7 The PUF ring is removed from the detached axle cylinder and placed in a sealed container for transport to the laboratory for analysis.

4.8 The PUF ring is extracted and analyzed using specific analytical procedures for the pesticides of interest. Typical methods involve Soxhlet extraction with analysis of extracts by gas chromatography/mass spectrometry (GC/MS), gas chromatography/electron capture detection (GC/ECD), or other techniques noted in Practice D4861.

5. Significance and Use

5.1 This practice may be used to estimate the potential for human exposure to pesticide residues that may be dislodged from residential floor surfaces by dermal contact. The sampling device employed is designed to approximately replicate the pressure applied by a 9 kg child crawling or walking on the floor.

5.2 Laboratory tests and field studies have shown that the transfer coefficient of the sampling device for collection of dried pesticide residues from nylon plush carpets is two to three times higher than that of a dry hand (palm only) pressed ten times at 7300 Pa over the same area of carpet (2, 4, 5).

5.3 This practice has been found suitable for use on plush and level loop carpets and vinyl flooring (2, 3).

5.4 This practice does not describe procedures for evaluation of the safety of floor surfaces or the potential for human

exposure to dislodgeable pesticide residues. It is the user's responsibility to evaluate the data collected by this practice and make such determinations in the light of other available information.

6. Interferences

6.1 There are no known interferences to the collection of dislodgeable pesticide residues from floors using this practice. The presence of excessive moisture levels in carpeting, as may be the case shortly after a wet cleaning operation, may affect the dislodgeability of residues, possibly yielding higher than normal results.

6.2 Analytical interferences may be caused by contaminants in the sampling medium, solvents, and reagents and on glassware and other sampling or sample processing hardware that result in discrete artifacts and elevated baselines, or both, in the detector profiles. For potential analytical interferences, refer to Practice D4861.

7. Apparatus

7.1 *PUF Roller Sampler*, (as shown in Fig. 1) may be constructed by a machinist using primarily aluminum materials. The typical apparatus consists of a frame (12.4 by 25.4 cm) that is attached to a rear axle that holds a swivel joint in the center for attaching the handle and has two aluminum wheels (2.5-cm wide by 10.2-cm diameter). The distance between the outside of the two wheels is 21.6 cm and between the inside of the wheels is 16.5 cm. An aluminum cylinder (7.6-cm long by 4.3-cm diameter) is attached to the front of the sampler frame by 6-mm diameter hex head axle bolts on the cylinder that fit into slots on the frame. This cylinder serves as the front axle and also holds the PUF sampling medium (see 7.2). The front axle cylinder is secured in the slots by spring steel retaining clips that permit easy attachment and removal of the cylinder. The handle for the sampler is two pieces that screw together (102-cm long by 1.3-cm diameter, overall) and then screw into the swivel joint on the rear axle. Two stainless steel blocks, each measuring 12.7 by 7.3 by 2.5 cm and having a combined weight of 3.88 kg, are attached to the center of the frame through holes that fit over 3-mm diameter threaded posts on either side of the frame. The weights are secured to the frame with hand-tightened knurled nuts.

NOTE 1—Although the use of stainless steel to construct the weights is not required (other materials of similar density will suffice), the ease of cleaning and resistance to corrosion make this metal very useful.

7.2 *PUF Sampling Medium*—The sampling medium consists of an annular plug cut from a sheet of medium density (0.029 g/cm³) open-cell, polyether-type polyurethane foam, 7.6-cm thick.

NOTE 2—This foam is the type used commercially in upholstery and is widely used for air sampling. It is the same type as that described in Practice D4861, but has a higher density.

7.2.1 Cut the foam sheet stock with a high-speed cutting die lubricated with distilled water to produce an annular ring 8.9-cm O.D. by 4.2-cm I.D. Alternatively, the PUF sheet stock may be immersed in distilled water and compressed to achieve saturation prior to cutting.

³ The boldface numbers in parentheses refer to the list of references at the end of this standard.

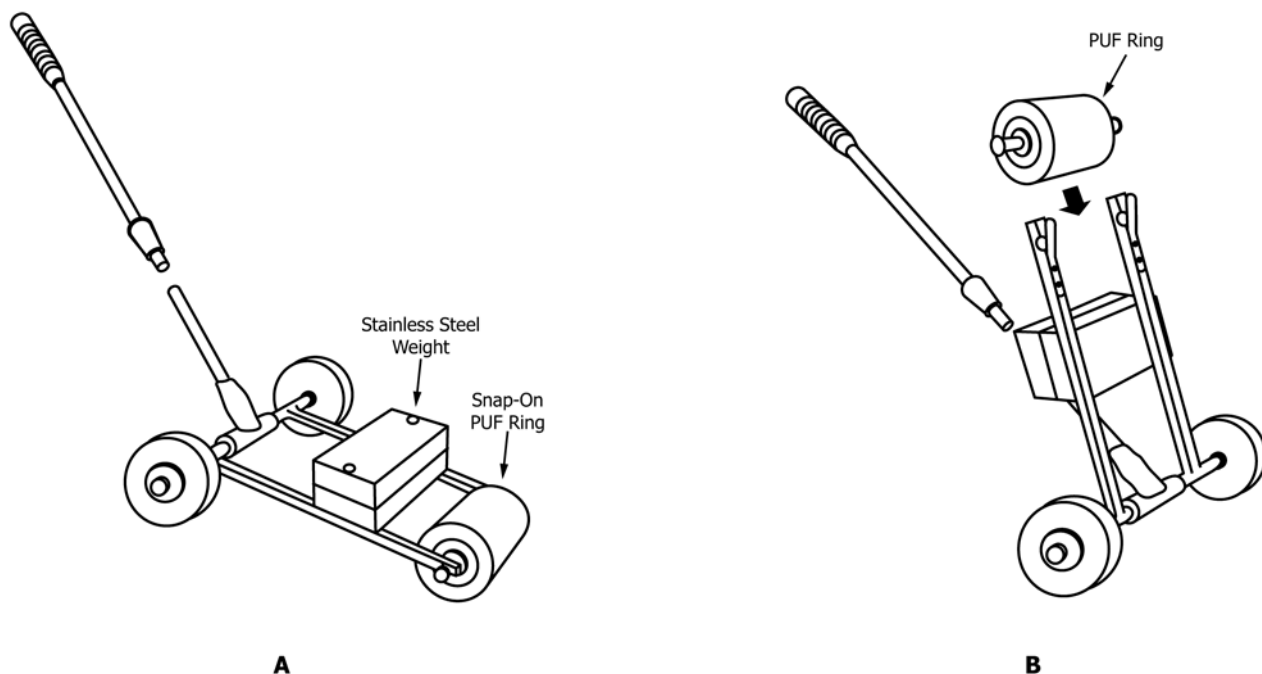


FIG. 1 PUF Roller: A. In Position for Sampling. B. Axle Cylinder/Frame Assembly.

7.2.2 After cutting, immerse the rings in pesticide grade acetone and compress to remove most of the distilled water. Repeat the process.

7.2.3 Extract the rings with acetone in a Soxhlet extractor for 24 h at 4 to 6 cycles/h, followed by a second extraction with 5 % diethyl ether in *n*-hexane for an additional 14 to 24 h at 4 to 6 cycles/h. A final 24-h extraction with acetone is recommended to ensure that the PUF ring retains its shape.

7.2.4 Upon completion of the Soxhlet extractions, transfer the PUF rings with solvent-rinsed tweezers into an open, pre-cleaned container (Refer to Practice D4861 for cleaning).

7.2.5 Place containers with PUF rings inside a vacuum drying oven and dry for 16 h under purified zero grade nitrogen.

7.2.6 Place the dried rings in clean, sealed containers for storage, preferably in an area protected from prolonged exposure to light.

7.3 *Guide Bar*—A flat bar or ruler approximately 1.4-m long can be used to guide the sampler during a traverse over the floor surface. For example, an aluminum bar 2.5-cm wide and 6-mm thick may be used in this application. The bar is clearly marked at the starting point and at 10-cm intervals along its length up to and including the ending point at the 1.0-m mark. The starting point is marked on the bar about 34 cm from one end so that the wheels of the sampler will contact the bar when the front of the sampler is in place to begin a sampling traverse.

7.3.1 Alternatively, a template may be constructed to serve as a guide for sampling. An example of such a template that has been found useful may be constructed from two 168-cm long right-angled side bars made from extruded aluminum or other suitable material with each side of the L-shaped bar having a width of about 2.5 cm. The two angled sidebars are connected at each end with a 2.5-cm wide flat bar that is 21.5-cm long, thereby resulting in two tracks that will accommodate the rear

wheels of the PUF roller with only a slight tolerance. The thickness of the side and end bars is approximately 0.3 cm. The vertical height of the side bars should be sufficient to keep the wheels on the track, for example 2.5 cm. The carpet surface is exposed through a central opening 163 by 16.5 cm in dimension. The template is clearly marked at the starting point and at 10-cm intervals along its length up to and including the ending point at the 1.0-m mark. The starting point is marked on the template about 34 cm from one end so that the wheels of the sampler will remain upon the tracks with some room to spare when the front of the sampler is in position to begin a sample traverse.

7.4 *Starting Platform*—A thin (1.6-mm) aluminum sheet (33 by 25.4 cm) to be used as a platform to prevent contact of the PUF ring with the surface to be sampled before starting a sampling traverse.

7.5 Other Equipment:

7.5.1 *Tongs*, large (23-cm long), scissor type, stainless steel tongs, or similar implements, for installing and removing the PUF rings from the sampler apparatus.

7.5.2 *Gloves*—Protective gloves, powder-free nitrile, latex, or polyvinyl acetate, are required to guard against potentially hazardous exposures and to minimize risk of cross contamination between sampler apparatus and sampling media.

7.5.3 *Squeeze Bottle*—A plastic (polytetrafluoroethylene) squeeze bottle, 250–500-mL volume, is filled with solvent and is used to rinse the sampler apparatus that contacts the sampling media and the tongs used to install and remove the media.

7.5.4 *Stopwatch*.

7.5.5 *Clean Glass Jars*, for the collection and storage of samples.

7.5.6 *Thermometer* (see Specification E1).

7.5.7 *Relative Humidity Meter* (see Test Method E337).

8. Reagents

8.1 *Acetone*, pesticide quality.

8.2 *n-Hexane*, pesticide quality.

8.3 *Diethyl Ether*, analytical reagent grade, preserved with 2 % ethanol.

8.4 *2-Propanol*, pesticide quality.

8.5 *Purity of Reagents*—Reagent grade chemicals shall be used in all tests. Unless otherwise indicated, it is intended that all reagents shall conform to the specifications of the Committee on Analytical Reagents of the American Chemical Society, where such specifications are available.⁴

8.6 *Purity of Water*—References to distilled water shall be understood to mean distilled water, which is Type II reagent water conforming to Specification D1193.

9. Sampling Procedure

9.1 *Sampling Layout:*

9.1.1 At least three samples should be collected in the room to be monitored. Unless the monitoring protocol requires otherwise, the areas to be sampled should be selected in a manner that reflects the average surface of the floor; typically, one sample should be taken near a doorway, one in the center of the room, and one near a corner.

NOTE 3—The area chosen for sampling should be at least 30 cm from walls that may have received crack and crevice treatments.

9.1.2 Identify the sampling area and mark the beginning and end of the 1.0-m sampling traverse with tape, chalk mark, guidebar, or another suitable visual indicator. For adequate characterization of a room, at minimum, three samples should be taken from different areas of the floor.

9.1.3 Rinse the top surface of the aluminum starting platform thoroughly with 2-propanol, and allow to air dry. Place the clean platform lengthwise outside the sampling area with the edge of the shorter (25.4 cm) side aligned with the starting point of the sampling traverse.

9.1.4 After the sampling area has been defined, assemble all necessary sampling equipment and supplies and proceed to setup the sampler.

9.1.5 Prior to initiating sample collection, measure and record the temperature and relative humidity in the room (see Test Method E337).

9.2 *Sampler Setup:*

9.2.1 Place the sampler on a clean working surface. With the handle laid down horizontally on the surface, raise the roller end (front) of the sampler and rotate the entire frame assembly upwards and back until the edge of the stainless steel block weight rests against the sampler handle. The aluminum axle

cylinder that holds the PUF sampling medium should be readily accessible in this position (see Fig. 1).

9.2.2 Remove the front axle cylinder from the sampler frame by simultaneously grasping each hex head axle bolt, and while pushing against the spring steel retaining clips, move the cylinder out of the slots in the frame arms and forward until it is clear of the retaining clips.

9.2.3 Rinse the axle cylinder with 2-propanol and allow it to air dry. Place a clean PUF ring in a pre-cleaned can or glass jar (if not originally provided as the storage container for the pre-cleaned PUF ring) with the core of the ring facing upward. Hold the axle cylinder by one of the hex head axle bolts and slide the cylinder into the center of the PUF ring.

9.2.4 Push the axle cylinder as far as possible into the PUF ring, remove the attached PUF ring and cylinder from the sample container can, and finish centering the ring on the roller using solvent-rinsed tongs or similar implement.

9.2.5 Using the fingers of both hands, grasp each of the axle bolts and twirl the cylinder to visually ascertain whether the PUF ring is properly centered on the cylinder. Use the clean tongs to make adjustments to the positioning of the PUF ring, if necessary. When the installation is complete, snap the cylinder back into place on the sampler using the reverse of the procedure used for its removal while taking care not to contact the sampling media with the sampler components or any foreign objects that might pose a source of contamination. When the sampler setup procedure has been successfully completed, proceed to collect the sample.

9.3 *Sample Collection:*

9.3.1 Place the sampler on the aluminum starting platform with the PUF ring resting on the aluminum surface and centered near the beginning of the 1.0-m long sampling area.

9.3.2 Start the sample collection by pushing the sampler off the aluminum starting platform. Once the PUF ring contacts the floor surface, immediately begin pushing the roller at a constant rate of speed to the end of the 1.0-metre distance using the guidebar or ruler marks to achieve a rate of approximately 10 cm/s. The operator should take care to avoid stepping on the area selected for the sample traverse both before and during the sampling operation.

NOTE 4—The position of the roller during the sampling traverse is determined by the position of the axle bolts on the axle cylinder that hold the PUF ring.

9.3.3 When the sampler has reached the end of the traverse distance, immediately begin to pull the sampler backwards, maintaining the same 10 cm/s rate, until the same sampling area has been covered in the reverse direction with the sampler ending at the original starting point of the traverse. Use a stopwatch to time the sampling traverse operation, and record the total time taken to complete the sampling.

9.3.4 Upon reaching the original starting point, immediately lift the front of the sampler upwards to remove the PUF ring from the floor surface. The frame assembly may then be rotated backwards on the rear axle until the stainless steel block weight rests against the handle.

9.3.5 Immediately lift the PUF roller assembly from the floor surface and move it to a non-contaminated area.

⁴ *Reagent Chemicals, American Chemical Society Specifications*, American Chemical Society, Washington, DC. For suggestions on the testing of reagents not listed by the American Chemical Society, see *Analar Standards for Laboratory Chemicals*, BDH Ltd., Poole, Dorset, U.K., and the *United States Pharmacopeia and National Formulary*, U.S. Pharmacopeia Convention, Inc. (USPC), Rockville, MD.

9.3.6 Remove the axle cylinder and PUF ring from the roller frame by repeating the procedure outlined in 9.2.2 above. While conducting this operation, do not allow the PUF ring to contact any surfaces on the sampler or any foreign bodies that might be sources of contamination.

9.3.7 Remove the PUF ring from the axle cylinder, and place it in a suitable storage container.

NOTE 5—A technique to remove the PUF ring from the cylinder that has been used successfully involves holding the cylinder in a vertical position by grasping the hex head axle bolt on one end and placing the assembly in the open sample container. While holding the forceps spread apart across the container opening and against the edge of the PUF ring, pull the cylinder upwards and completely out of the PUF ring while the forceps hold the PUF ring inside the container.

9.3.8 With the used sampling ring properly contained, place the lid on the sample container, seal the lid with tape, and label appropriately.

9.4 *Sample Storage*—Immediately after collection, samples should be stored at 4°C or below until laboratory extraction is performed.

9.5 *Sample Analysis*—Sample analysis procedures will vary according to the target analyte(s) of interest in each individual test application. For guidance on appropriate analytical approaches, see Practice D4861. Sample extraction and analysis should be performed by a laboratory that is equipped to perform the desired procedures according to established analytical protocols. Analytical procedures have been developed and used successfully for the extraction and analysis of pesticide residues collected on the PUF sampling media (5-7).

10. Data Analysis

10.1 The analytical laboratory will generally be requested to report the results of pesticide analysis of the extracts of sampling media in terms of total micrograms of each target analyte per sample. This data may then be used to determine

TABLE 1 Round-Robin Test Results Summary—PUF Roller Sampling Precision^A

	Chlorpyrifos	Pyrethrin I	Piperonyl Butoxide
Test 001	39.0 %	34.3 %	81.3 %
Test 002	40.4 %	31.1 %	22.1 %
Test 003	2.4 %	25.8 %	8.5 %
Test 004	40.7 %	86.1 %	74.1 %
Test 005	21.2 %	40.9 %	30.2 %
Test 006	18.7 %	62.9 %	21.7 %
Test 007	36.0 %	38.5 %	39.6 %
Averages	28.3 %	45.7 %	39.7 %

^A Mean % RSD for three replicate samples per test, pesticide formulation applied according to label directions on new, 100 % nylon, plush cut-pile carpets.

the surface loading of residues on the floor tested by calculating the ratio of the total residue found in the sample to the total area of the floor surface sampled. For the sampling procedure described in this practice, the area sampled by the PUF roller method is 762 cm² (7.62 by 100 cm). Results are generally reported in terms of micrograms of dislodged pesticide per square metre of floor surface.

11. Quality Assurance

11.1 At least three samples should be collected in the room being sampled.

11.2 At least one PUF ring or 10 % of the samples collected per sampling event should be a field blank.

11.3 Prior to use, the blank PUF ring should be extracted with 5 % diethyl ether in hexane (or other appropriate solvent) and the extract analyzed to ensure that there are no potential interferences with the target analytes at levels above the detection limit.

11.4 Thoroughly clean glass before use (for example, by acid washing, followed by heating to 450°C in a muffle furnace).

11.5 Check solvents and other materials routinely by running laboratory reagent blanks under the conditions of the analysis to establish that they are free of interfering materials.

11.6 For determination of analyte recoveries and use of internal reference standards, refer to Practice D4861.

12. Factors Affecting Final Results

12.1 The sensitivity of this practice will depend on the analytical method used to determine the collected pesticide residues. Typically, the method chosen should be sensitive enough to detect 0.05 µg per sample, or about 0.01 µg/m².

12.2 The precision and bias associated with the analytical results are dependent upon the precision and bias of the analytical method used for the analytes as well as the precision of the sampling process.

12.3 The precision of this procedure may be dependent on the uniformity and texture of the floor surface.

12.4 The precision of this practice for use on nylon plush carpeting has been determined for three pesticides in a round-robin test involving seven independent laboratories (3). The results are given in Table 1.

13. Keywords

13.1 carpet; dislodgeable residue; floor; pesticides; PUF roller

REFERENCES

- (1) Hsu, J.P., Camann, D.E., Schattenberg, H.J., Wheeler, H.G., Villalobos, K.M., Quarderer, S., and Lewis, R.G., “New Dermal Exposure Sampling Technique,” *Measurement of Toxic and Related Air Pollutants: Proceedings of the U.S. EPA/A&WMA International Symposium*, Publication No. VIP-17, Air & Waste Management Association, Pittsburgh, 1990, pp. 489-497.
- (2) Camann, D.E., Harding, H.J., Geno, P.W., and Agrawal, S.R., “Comparison of Methods to Determine Dislodgeable Residue Transfer from Floors,” EPA/600/R-96/089, U.S. Environmental Protection Agency, Research Triangle Park, NC, 1996.
- (3) Fortune, C.R., “Round-Robin Testing of Methods for Collecting Dislodgeable Residues from Carpets,” EPA/600/R-97/119, U.S. Environmental Protection Agency, Research Triangle Park, NC, 1997.
- (4) Lewis, R.G., Fortmann, R.C., and Camann, D.E., “Evaluation of Methods for Monitoring the Potential Exposure of Small Children to Pesticides in the Residential Environment,” *Archives of Environmental Contamination and Toxicology*, Vol 26, 1994, pp. 37-46.
- (5) Geno, P.W., Majumdar, T.K., Camann, D.E., and Bond, A.E., “A Multiresidue GC/MS Method for Determination of Pesticides in Environmental Media,” *Measurement of Toxic and Related Air Pollutants: Proceedings of the U.S. EPA/A&WMA International Symposium*, Publication No. VIP-50, Air and Waste Management Assoc., Pittsburgh, 1995, pp. 531-541.
- (6) Geno, P.W., Camann, D.E., Villalobos, K. M., and Lewis, R.G., “Analytical Methods for Assessing the Exposure of Farmers and Their Families to Pesticides,” *Measurement of Toxic and Related Air Pollutants: Proceedings of the U.S. EPA/A&WMA International Symposium*, Publication No. VIP-34, Air and Waste Management Assoc., Pittsburgh, 1993, pp. 698-705.
- (7) Hsu, J.P., Wheeler, H.G. Jr., Camann, D.E., Schattenberg, H.J. III, Lewis, R.G., and Bond, A.E., “Analytical Methods for Detection of Nonoccupational Exposure to Pesticides,” *Journal of Chromatographic Science*, Vol 26, 1988, pp. 181-189.

ASTM International takes no position respecting the validity of any patent rights asserted in connection with any item mentioned in this standard. Users of this standard are expressly advised that determination of the validity of any such patent rights, and the risk of infringement of such rights, are entirely their own responsibility.

This standard is subject to revision at any time by the responsible technical committee and must be reviewed every five years and if not revised, either reapproved or withdrawn. Your comments are invited either for revision of this standard or for additional standards and should be addressed to ASTM International Headquarters. Your comments will receive careful consideration at a meeting of the responsible technical committee, which you may attend. If you feel that your comments have not received a fair hearing you should make your views known to the ASTM Committee on Standards, at the address shown below.

This standard is copyrighted by ASTM International, 100 Barr Harbor Drive, PO Box C700, West Conshohocken, PA 19428-2959, United States. Individual reprints (single or multiple copies) of this standard may be obtained by contacting ASTM at the above address or at 610-832-9585 (phone), 610-832-9555 (fax), or service@astm.org (e-mail); or through the ASTM website (www.astm.org). Permission rights to photocopy the standard may also be secured from the Copyright Clearance Center, 222 Rosewood Drive, Danvers, MA 01923, Tel: (978) 646-2600; http://www.copyright.com/